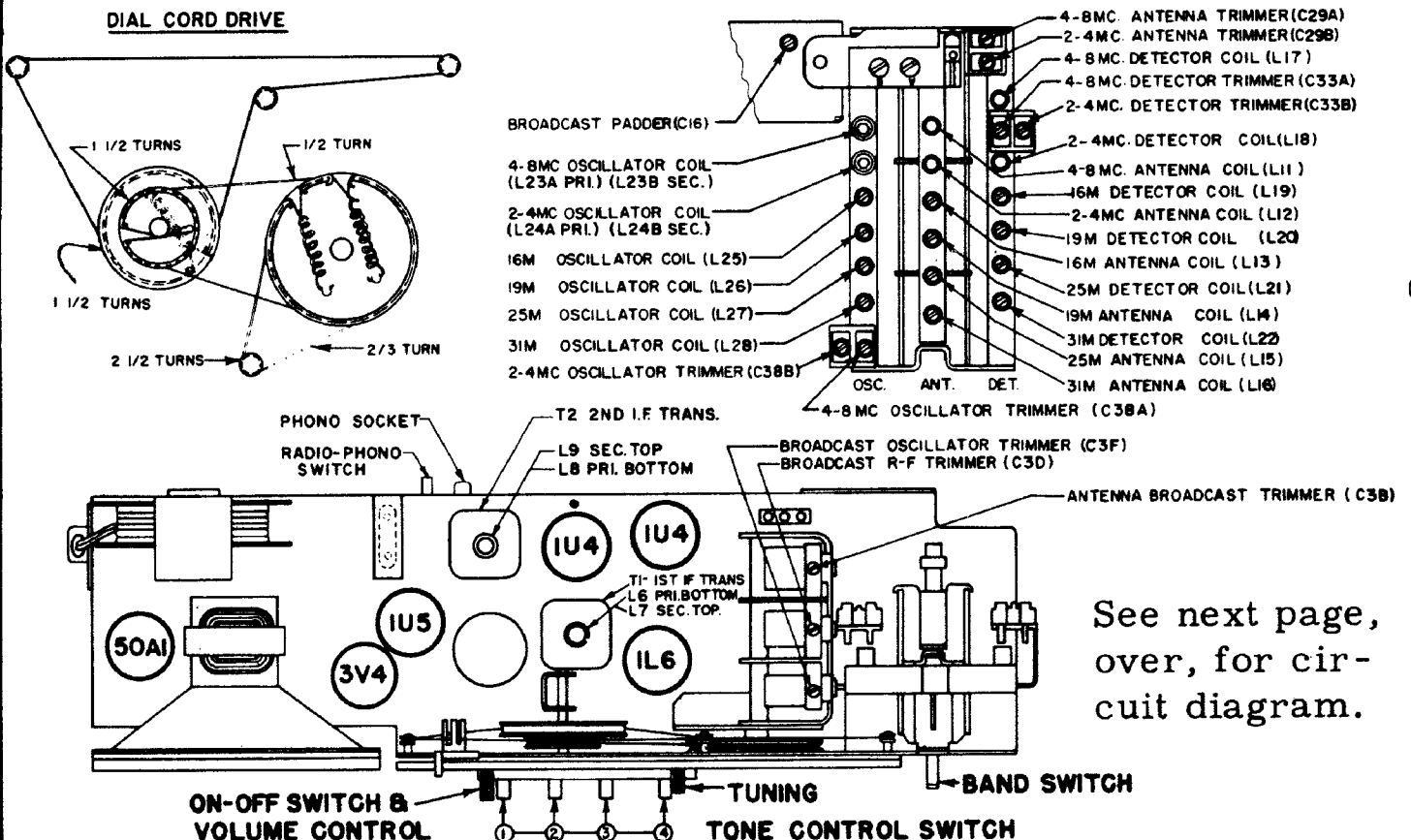


# ZENITH MODELS T600.-L, CHASSIS 6T40, 6T41, ALIGNMENT DATA

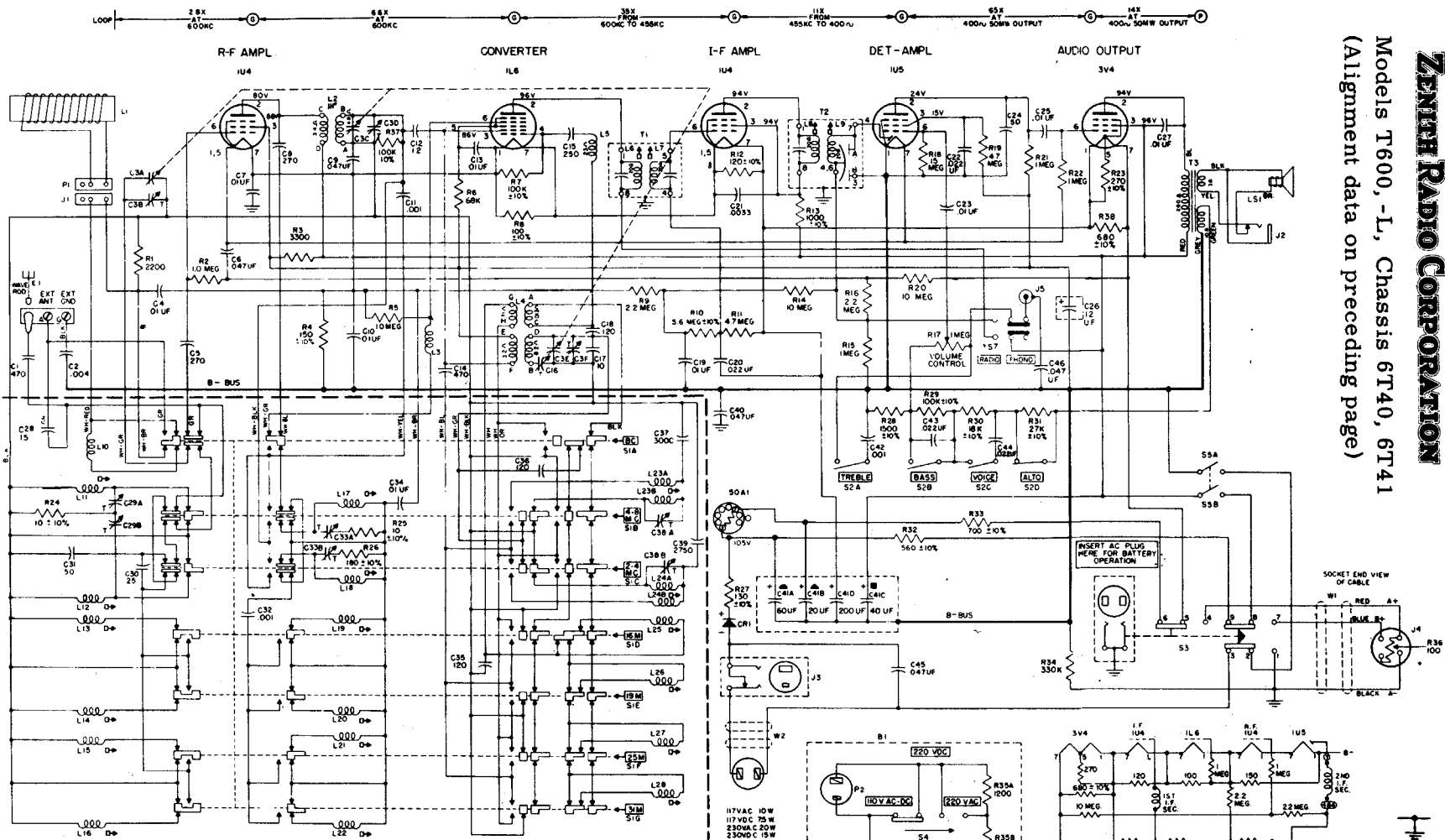
OPER.	CONNECT OSCILLATOR TO DUMMY ANTENNA	INPUT SIGNAL FREQ.	BAND	SET DIAL AT	TRIMMERS	PURPOSE
1	Positive lead of signal generator to converter grid through a .1 Mfd. condenser & negative lead to negative filament of 1L6 tube.	455 Kc	BC	600 Kc	L 6,7,8,9	Align I.F.
2	One turn loop coupled loosely to broadcast wavemagnet	1600 Kc	BC	1600 Kc	C3F	Set oscillator to scale
3		1400 Kc	BC	1400 Kc	C3D	Alignment of BC Det.
4		1400 Kc	BC	1400 Kc	C3B	Alignment of BC ant.
5*		600 Kc	BC	600 Kc	Rock C16	Alignm't of BC at 600 Kc
6		3 feet of wire approximately 1 foot from extended wave rod.	7.8 Mc	4-8 Mc	7.8 Mc	C38A, C33A, C29A
7*	4.2 Mc		4-8 Mc	4.2 Mc	Rock L 23B	
8	REPEAT OPERATIONS 6 & 7					
9	3.9 Mc		2-4 Mc	3.9 Mc	C38B, C33B, C29B	
10*	2.1		2-4 Mc	2.1 Mc	Rock L 24B	
11	REPEAT OPERATIONS 9 & 10					
12	17.8 Mc		16Meters	17.8 Mc	L 25, L 19, L 13	
13*	15.2		19Meters	15.2	L 26, L 20, L 14	
14	11.8 Mc		25Meters	11.8	L 27, L 21, L 15	
15*	9.6 Mc		31Meters	9.6 Mc	L 28, L 22, L 16	

\* NOTE: Rock Tuning Condenser When Making Alignment Under Operations 5, 7, 10, 12, 13, 14 & 15.  
REAR VIEW OF BAND SELECTOR SWITCH.

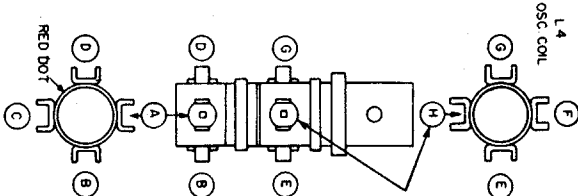


**ZENITH RADIO CORPORATION**

Models T600, -L, Chassis 6T40, 6T41  
(Alignment data on preceding page)



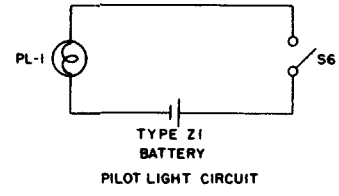
- 1 RESISTOR VALUES IN OHMS, CAPACITY VALUES IN UUF UNLESS OTHERWISE SPECIFIED
- 2 IF TRANSFORMER NUMBERING STARTS WITH #1 TERMINAL AS FIRST TERMINAL CLOCKWISE AND ADJACENT TO MARKER, AS VIEWED FROM THE BOTTOM OF CHASSIS
- 3 ALL SECTIONS OF BAND SELECTOR SWITCH S1 SHOWN IN NONOPERATING POSITION, IN OPERATING POSITIONS SLIDING CONTACTS MOVE TO THE LEFT
- 4 ALL TONE BUTTONS S2 SHOWN IN RIGHT POSITION AS VIEWED FROM THE FRONT OF CABINET
- 5 S3 POWER CHANGEOVER SWITCH SHOWN IN POSITION FOR POWER LINE OPERATION
- 6 POWER ADAPTER SWITCH S4 SHOWN IN 110 VOLTS AC-DC POSITION
- 7 ALL VOLTAGES MEASURED FROM COMMON RETURN TO POINTS INDICATED WITH A DC VACUUM TUBE VOLTMETER AND SET OPERATING ON 117V A.C.



TUNING RANGES

540	1600 KC.
4MC	8 MC.
2MC	4 MC.
174	18.2 MC.
14.8	15.6 MC.
11.5	12.1 MC.
9.4	9.8 MC.

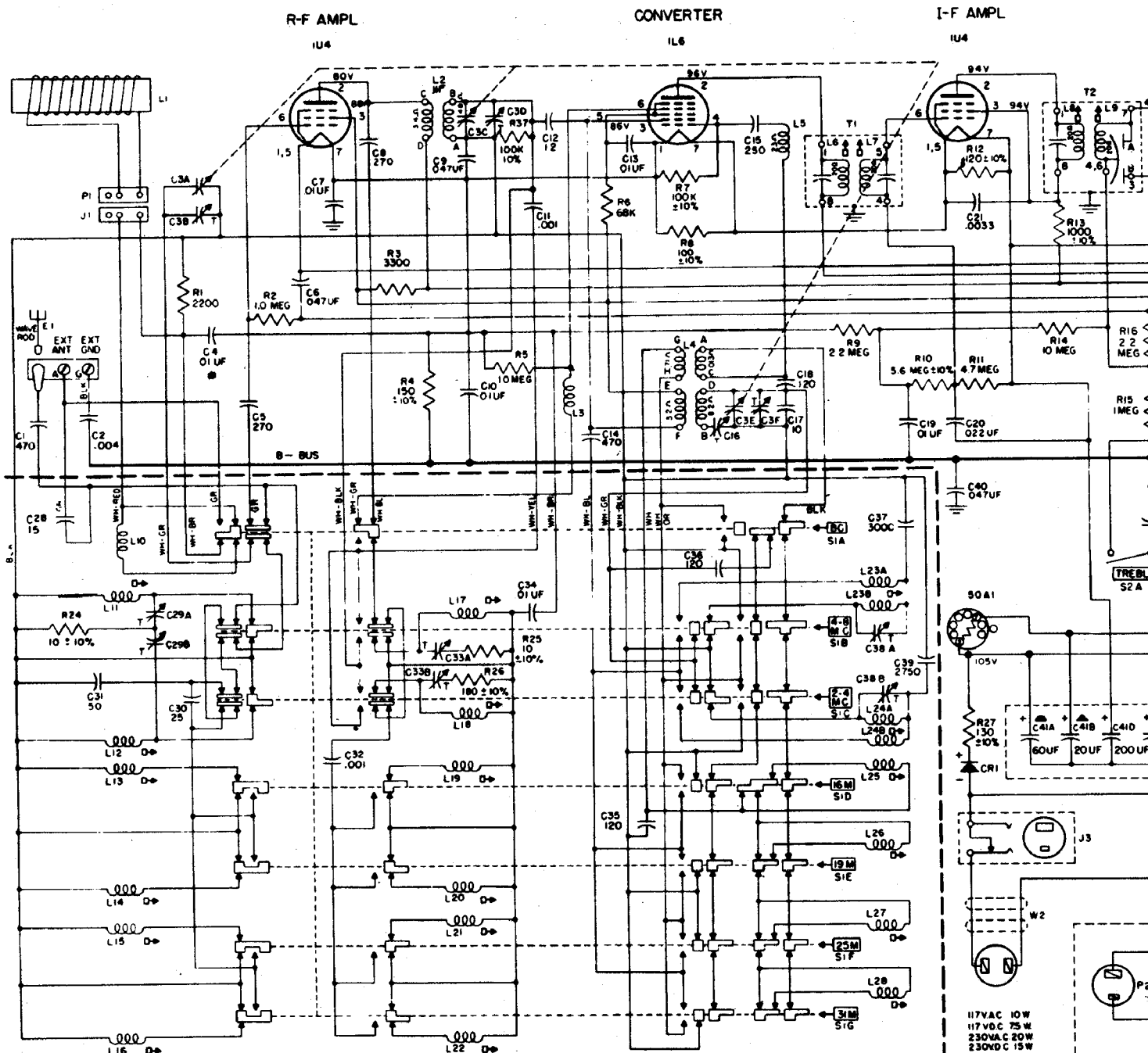
IFFREQUENCY 455 KC.  
BATTERY PACK NO. Z-985



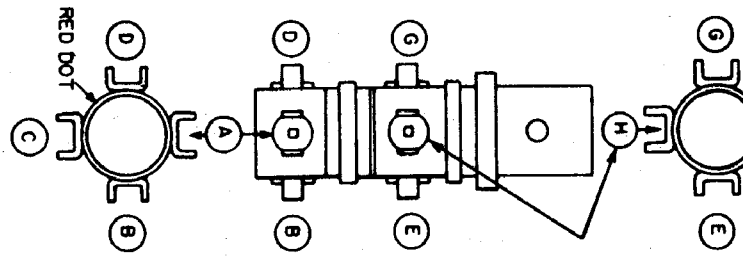
DENOTES CHASSIS

TYPE Z1 BATTERY

PILOT LIGHT CIRCUIT

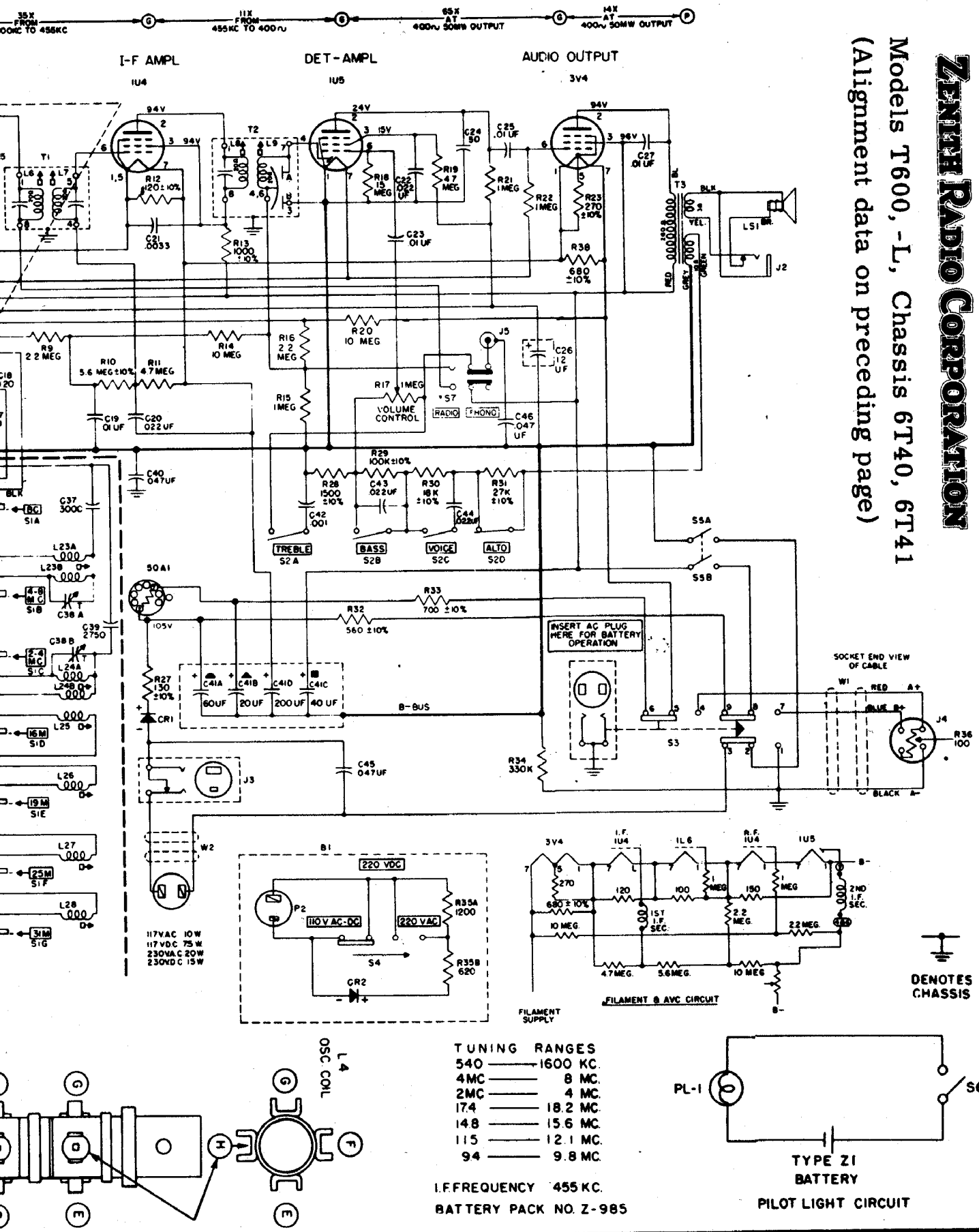


- 1 RESISTOR VALUES IN OHMS, CAPACITY VALUES IN UUF UNLESS OTHERWISE SPECIFIED.
- 2 IF TRANSFORMER NUMBERING STARTS WITH \*; TERMINAL AS FIRST TERMINAL CLOCKWISE AND ADJACENT TO MARKER, AS VIEWED FROM THE BOTTOM OF CHASSIS
- 3 ALL SECTIONS OF BAND SELECTOR SWITCH S1 SHOWN IN NONOPERATING POSITION. IN OPERATING POSITIONS SLIDING CONTACTS MOVE TO THE LEFT.
- 4 ALL TONE BUTTONS S2 SHOWN IN RIGHT POSITION AS VIEWED FROM THE FRONT OF CABINET.
- 5 S3 POWER CHANGEOVER SWITCH SHOWN IN POSITION FOR POWER LINE OPERATION
- 6 POWER ADAPTER SWITCH S4 SHOWN IN 110 VOLTS AC-DC POSITION
- 7 ALL VOLTAGES MEASURED FROM COMMON RETURN TO POINTS INDICATED WITH A DC VACUUM TUBE VOLTMETER AND SET OPERATING ON 117V. A.C.



# ZENITH RADIO CORPORATION

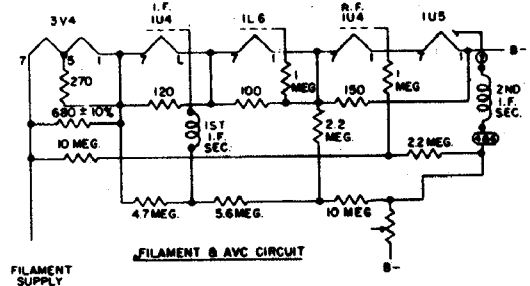
Models T600, -L, Chassis 6T40, 6T41  
 (Alignment data on preceding page)



TUNING RANGES

540	1600 KC.
4MC	8 MC.
2MC	4 MC.
17.4	18.2 MC.
14.8	15.6 MC.
11.5	12.1 MC.
9.4	9.8 MC.

I.F. FREQUENCY 455 KC.  
 BATTERY PACK NO. Z-985



⊕ DENOTES CHASSIS

