

Scanned by IW1AXR
 Downloaded by
 Amateur Radio Directory

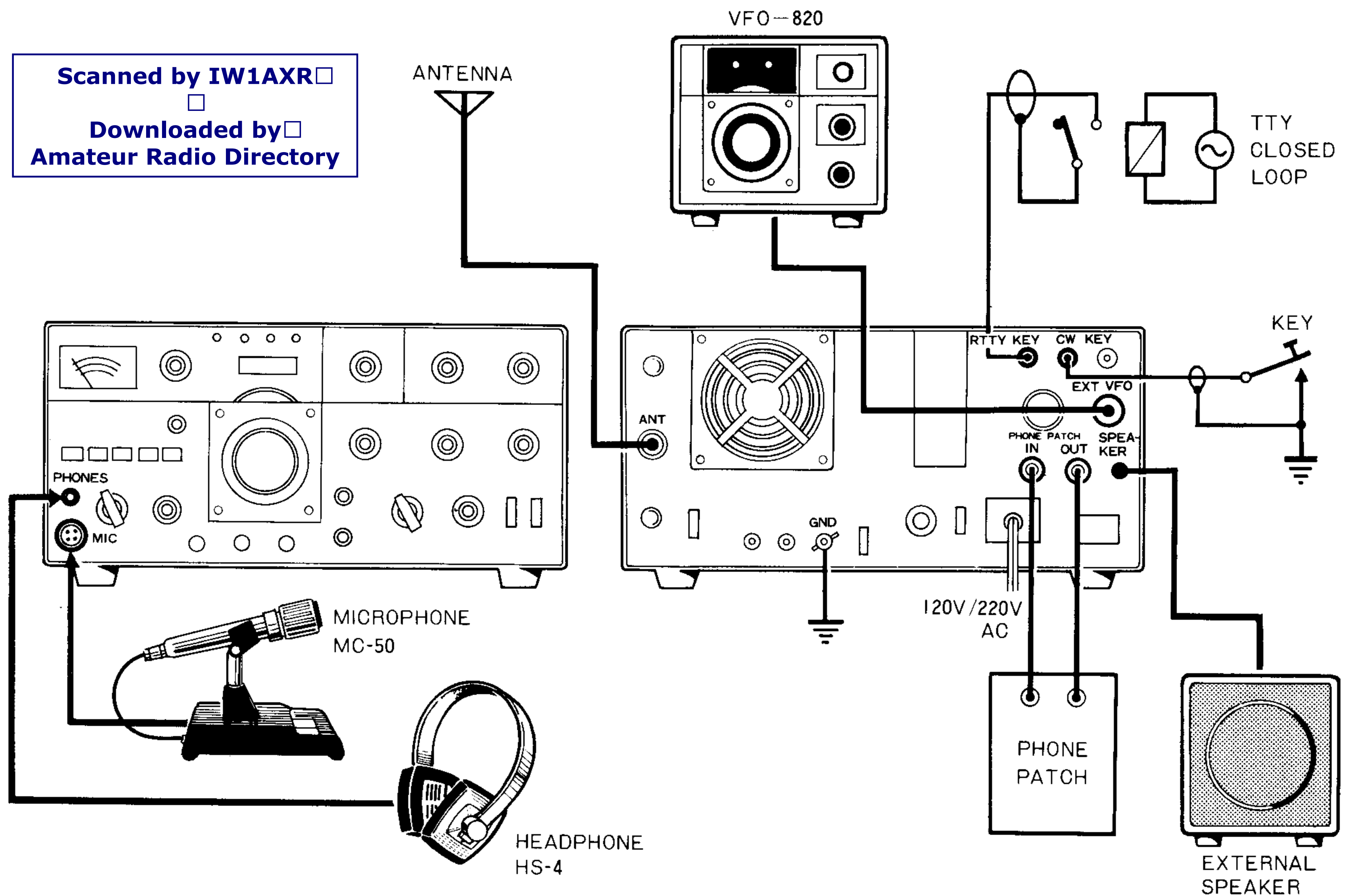
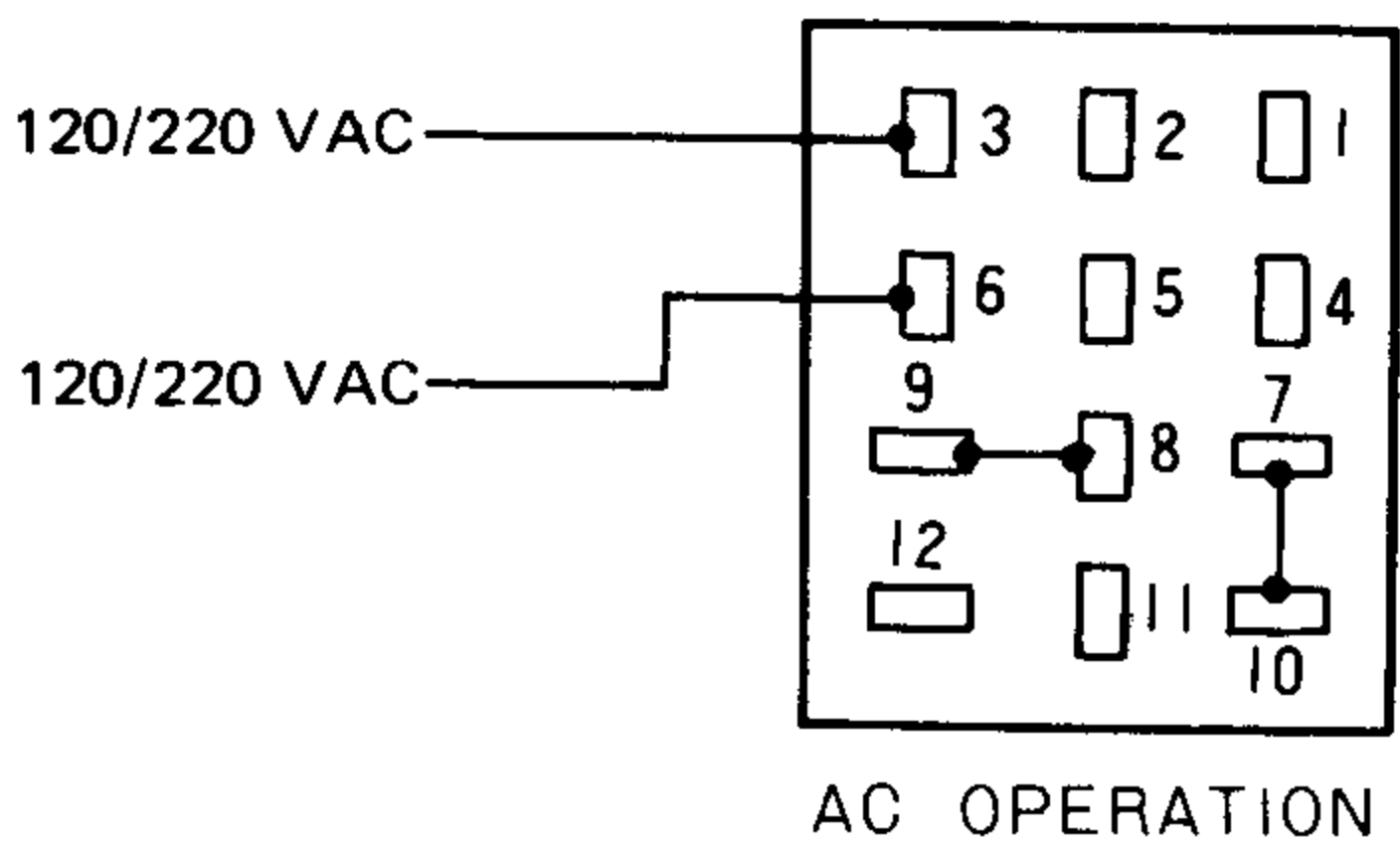
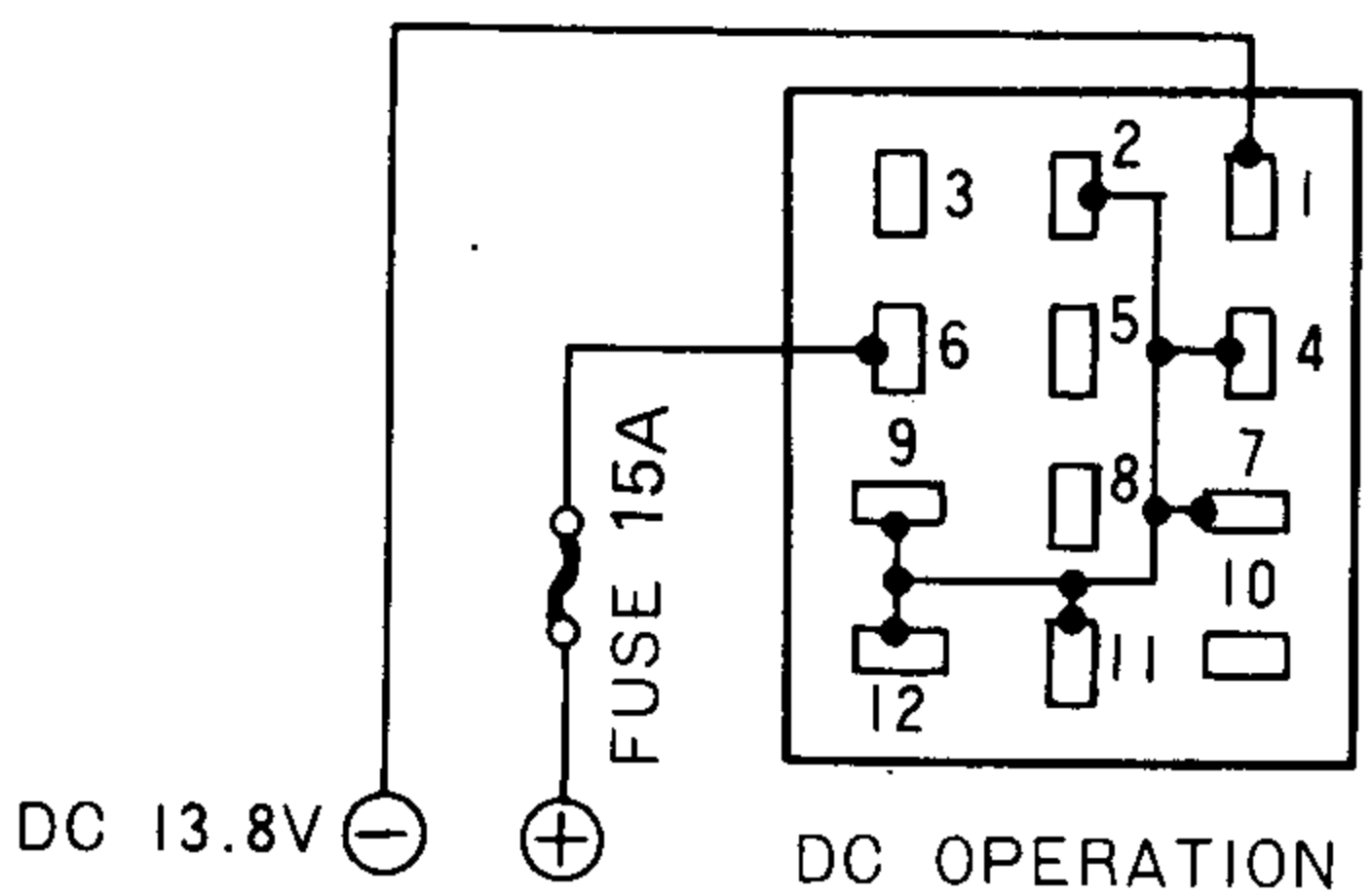


Fig. 1(a) Connection

IMPORTANT-When wiring a new power plug, confirm that the pin numbering on the new plug is identical to the pin numbering on the POWER connector. The transceiver can be damaged by incorrect pin wiring.

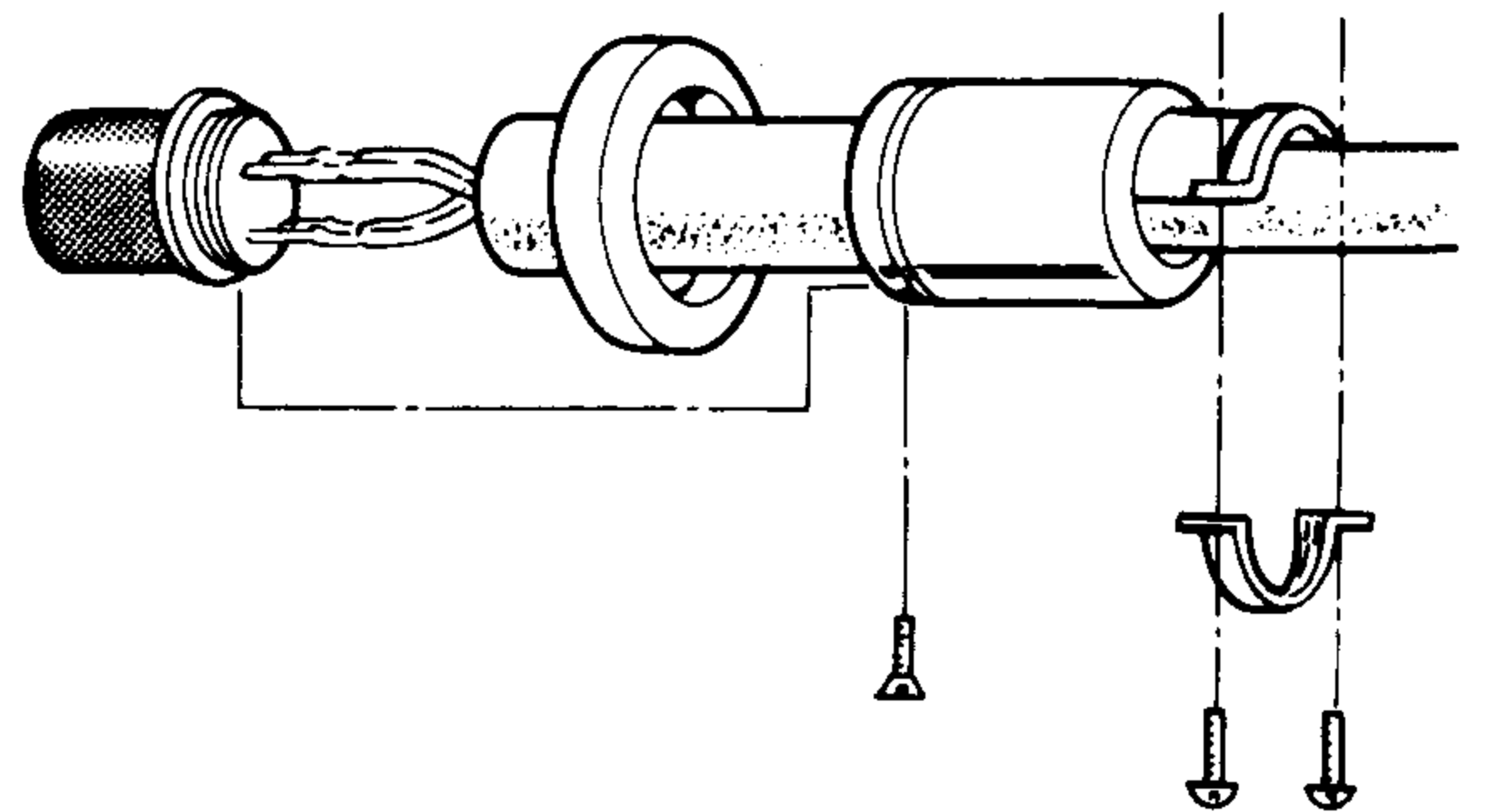


AC OPERATION

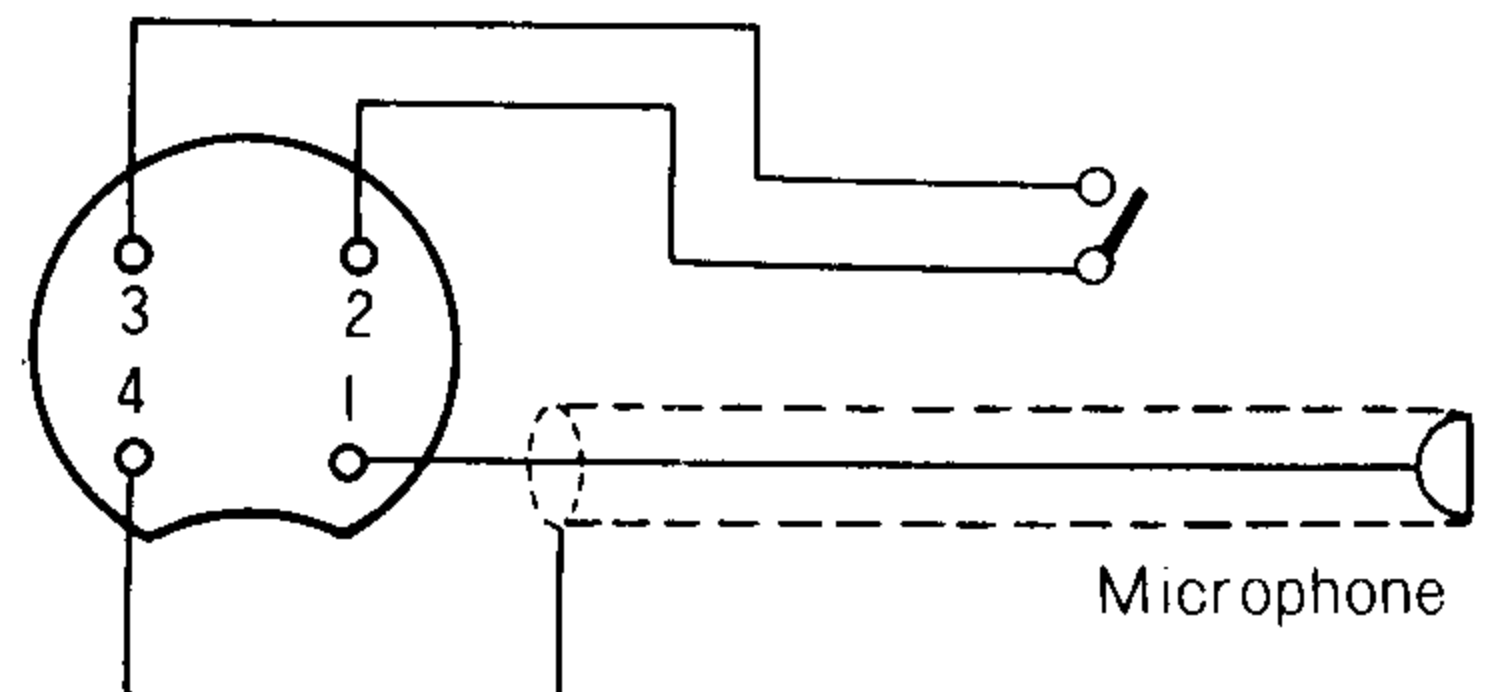


DC OPERATION

Fig. 1(b) Power Plug Wiring



seen from the cord.



Microphone

Fig. 2 Microphone Connection Wiring