

MAIN BOARD
(BC278B006M)

LCD BOARD
(BC217G002M)

CPU BOARD
(BC273F007M)

NOTES 1. UNLESS OTHERWISE NOTED RESISTORS ARE IN OHM
CAPACITORS ARE IN FARAD AND INDUCTORS ARE IN HENRY.
2. AR-147 CIRCUIT DIAGRAM

AR-147/S02

G

5

4

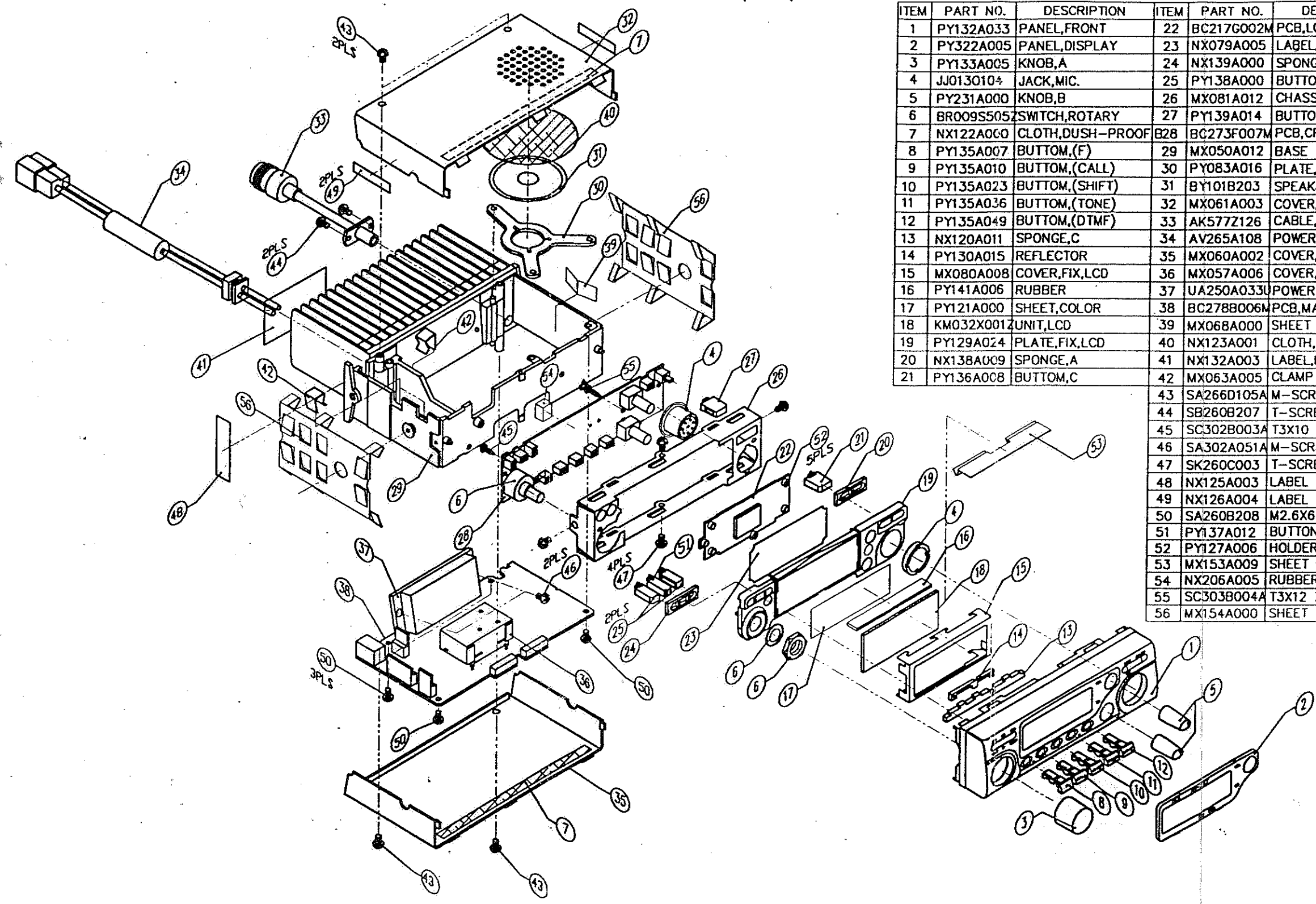
3

2

1

REV.	PART NO.	DESCRIPTION	APPROVED NO.	REMARK
------	----------	-------------	--------------	--------

ITEM	PART NO.	DESCRIPTION	ITEM	PART NO.	DESCRIPTION
1	PY132A033	PANEL,FRONT	22	BC217G002M	PCB,LCD
2	PY322A005	PANEL,DISPLAY	23	NX079A005	LABEL,SHIELD
3	PY133A005	KNOB,A	24	NX139A000	SPONGE,B
4	JJ0130104	JACK,MIC.	25	PY138A000	BUTTON,A
5	PY231A000	KNOB,B	26	MX081A012	CHASSIS,FRONT
6	BR009S505	SWITCH,ROTARY	27	PY139A014	BUTTON,POWER
7	NX122A000	CLOTH,DUSH-PROOF	28	BC273F007M	PCB,CPU
8	PY135A007	BUTTON,(F)	29	MX050A012	BASE
9	PY135A010	BUTTON,(CALL)	30	PY083A016	PLATE,FIX,SPEAKER
10	PY135A023	BUTTON,(SHIFT)	31	BY101B203	SPEAKER,8 OHM
11	PY135A036	BUTTON,(TONE)	32	MX061A003	COVER,TOP
12	PY135A049	BUTTON,(DTMF)	33	AK577Z126	CABLE,ANT,50 OHM
13	NX120A011	SPONGE,C	34	AV265A108	POWER CORD
14	PY130A015	REFLECTOR	35	MX060A002	COVER,BASE
15	MX080A008	COVER,FIX,LCD	36	MX057A006	COVER,SHIELD A
16	PY141A006	RUBBER	37	UA250A033U	POWER MODULE
17	PY121A000	SHEET,COLOR	38	BC278B006M	PCB,MAIN
18	KM032X001Z	UNIT,LCD	39	MX068A000	SHEET , GND(A)
19	PY129A024	PLATE,FIX,LCD	40	NX123A001	CLOTH,DUSH-PROOF
20	NX138A009	SPONGE,A	41	NX132A003	LABEL,LOGO
21	PY136A008	BUTTON,C	42	MX063A005	CLAMP
			43	SA266D105A	M-SCREW,CBS,NI
			44	SB260B207	T-SCREW,CBTA"A",N
			45	SC302B003A	T3X10 ZN
			46	SA302A051A	M-SCREW,Zn-Cc
			47	SK260C003	T-SCREW,"S",Zn-Cc
			48	NX125A003	LABEL A
			49	NX126A004	LABEL B
			50	SA260B208	M2.6X6 CBS,NI
			51	PY137A012	BUTTON,B
			52	PY127A006	HOLDER,LAMP
			53	MX153A009	SHEET GND (B)
			54	NX206A005	RUBBER SPONGE
			55	SC303B004A	T3X12 ZN
			56	MX154A000	SHEET GND (A)



EXPLODED VIEW

FILE NO. AR-147