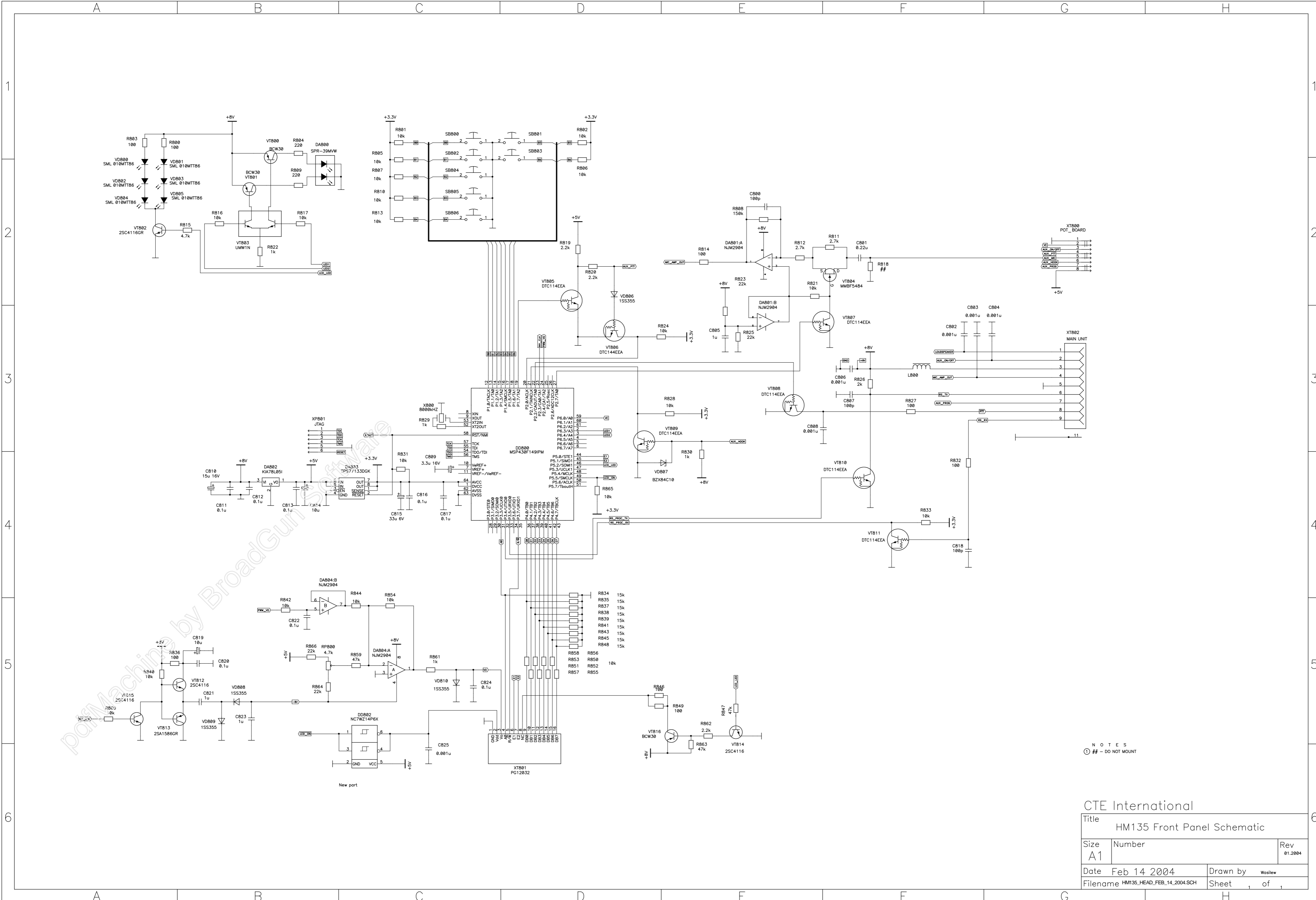


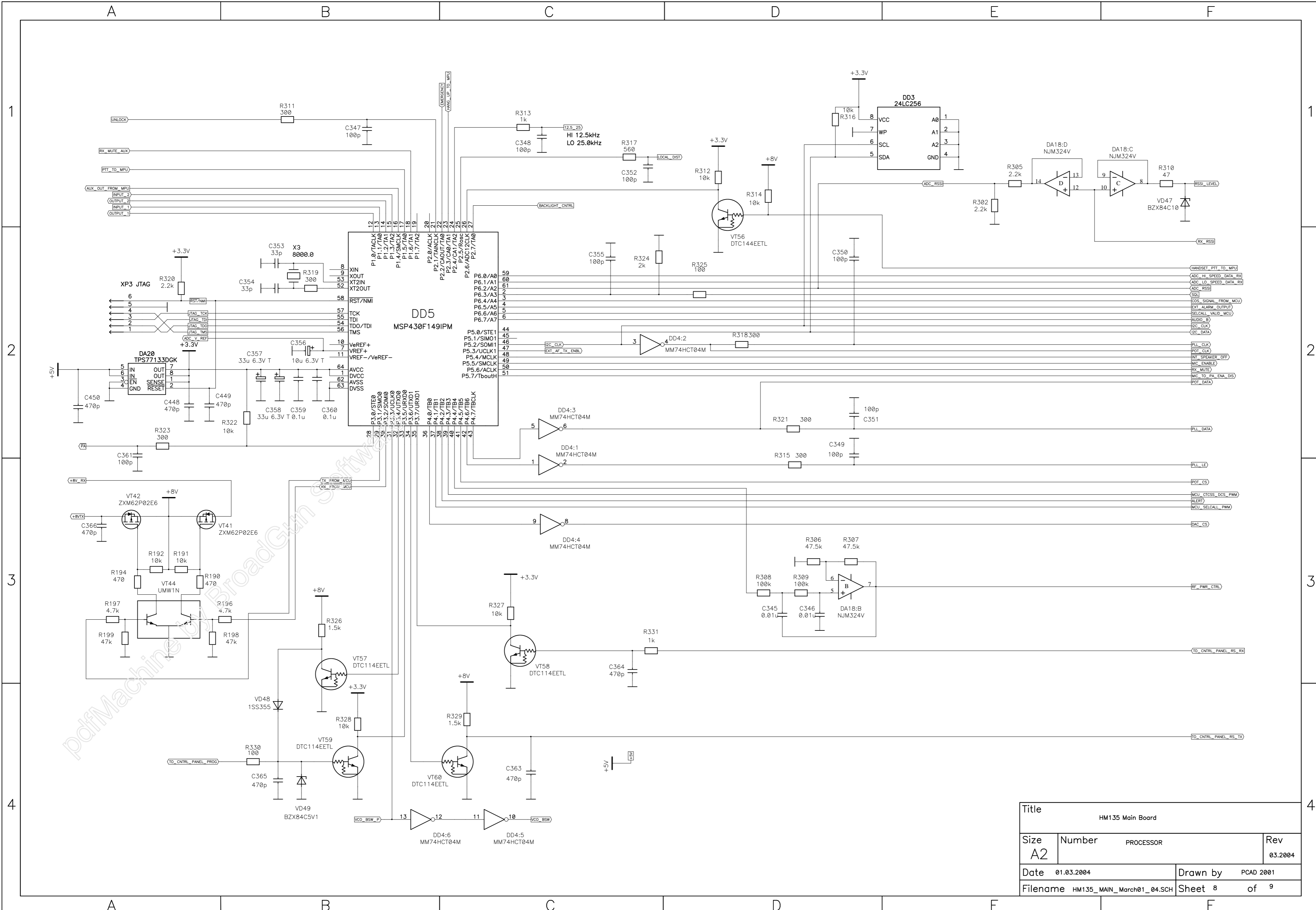
ALAN HM 135

ELECTRICAL DIAGRAMS

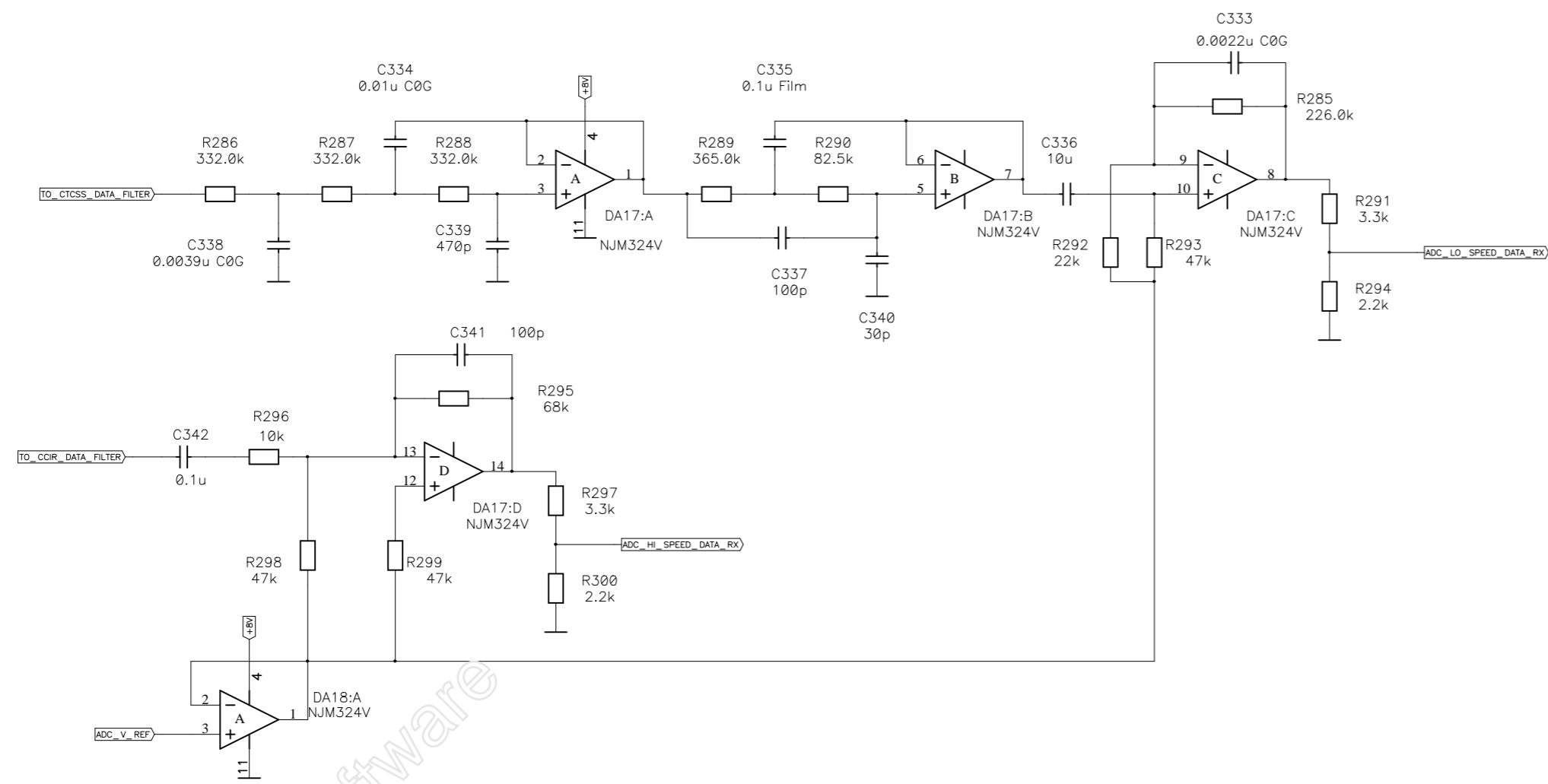


NOTES
 ① ## - DO NOT MOUNT

| | | |
|-------------------------------------|-----------------|-------------|
| CTE International | | |
| Title HM135 Front Panel Schematic | | |
| Size A1 | Number | Rev 01.2004 |
| Date Feb 14 2004 | Drawn by Waslew | |
| Filename HM135_HEAD_FEB_14_2004.SCH | Sheet | of |

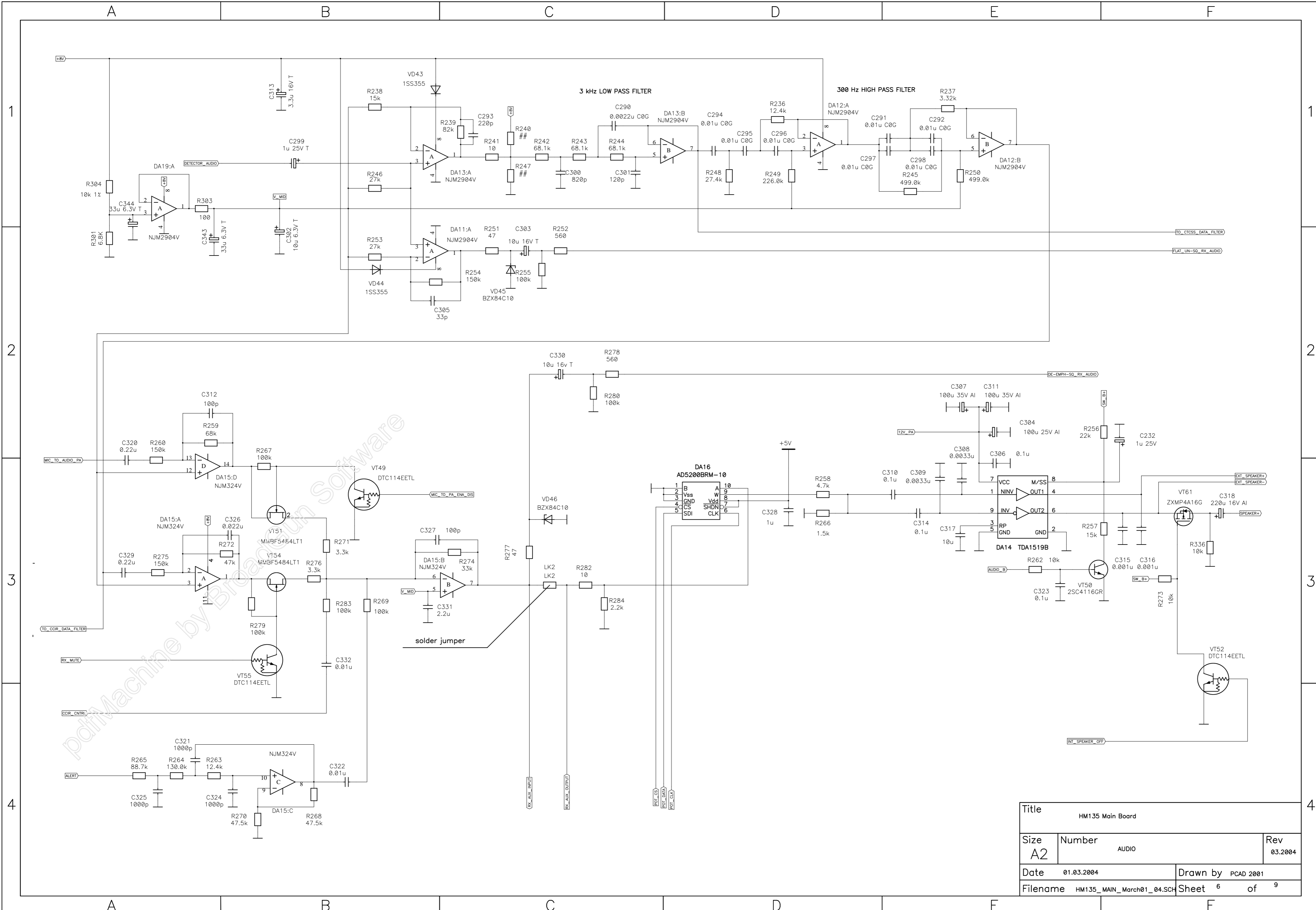


| | | | | | | | |
|----------|---------------------------|-----------|----------|------------------|-----------|--|------|
| Title | | | | HM135 Main Board | | | |
| Size | Number | PROCESSOR | | Rev | | | |
| A2 | | | | 03.2004 | | | |
| Date | 01.03.2004 | | Drawn by | | PCAD 2001 | | |
| Filename | HM135_MAIN_March01_04.SCH | | Sheet | | 8 | | of 9 |

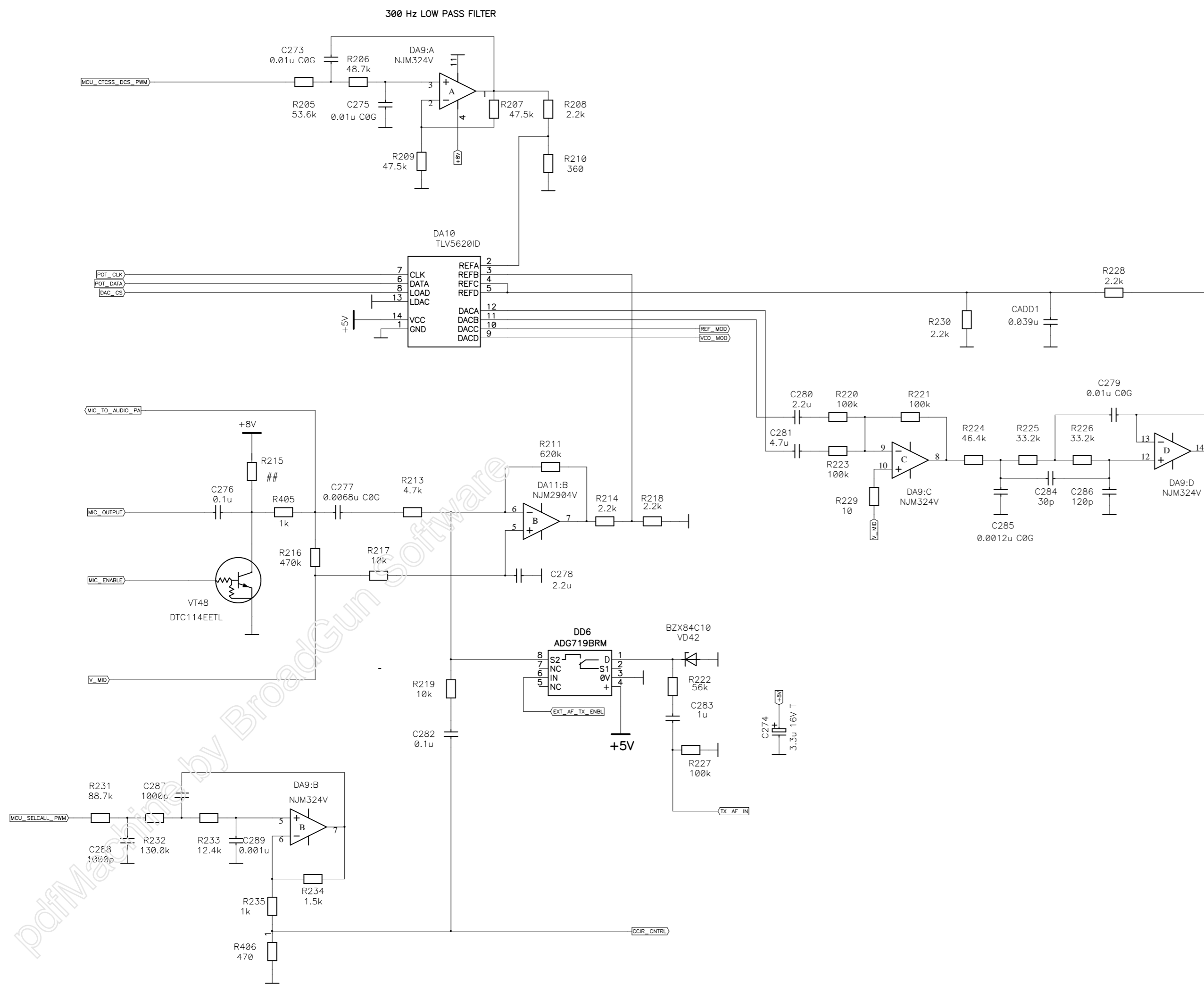


pdfMachine by BroadGun Software

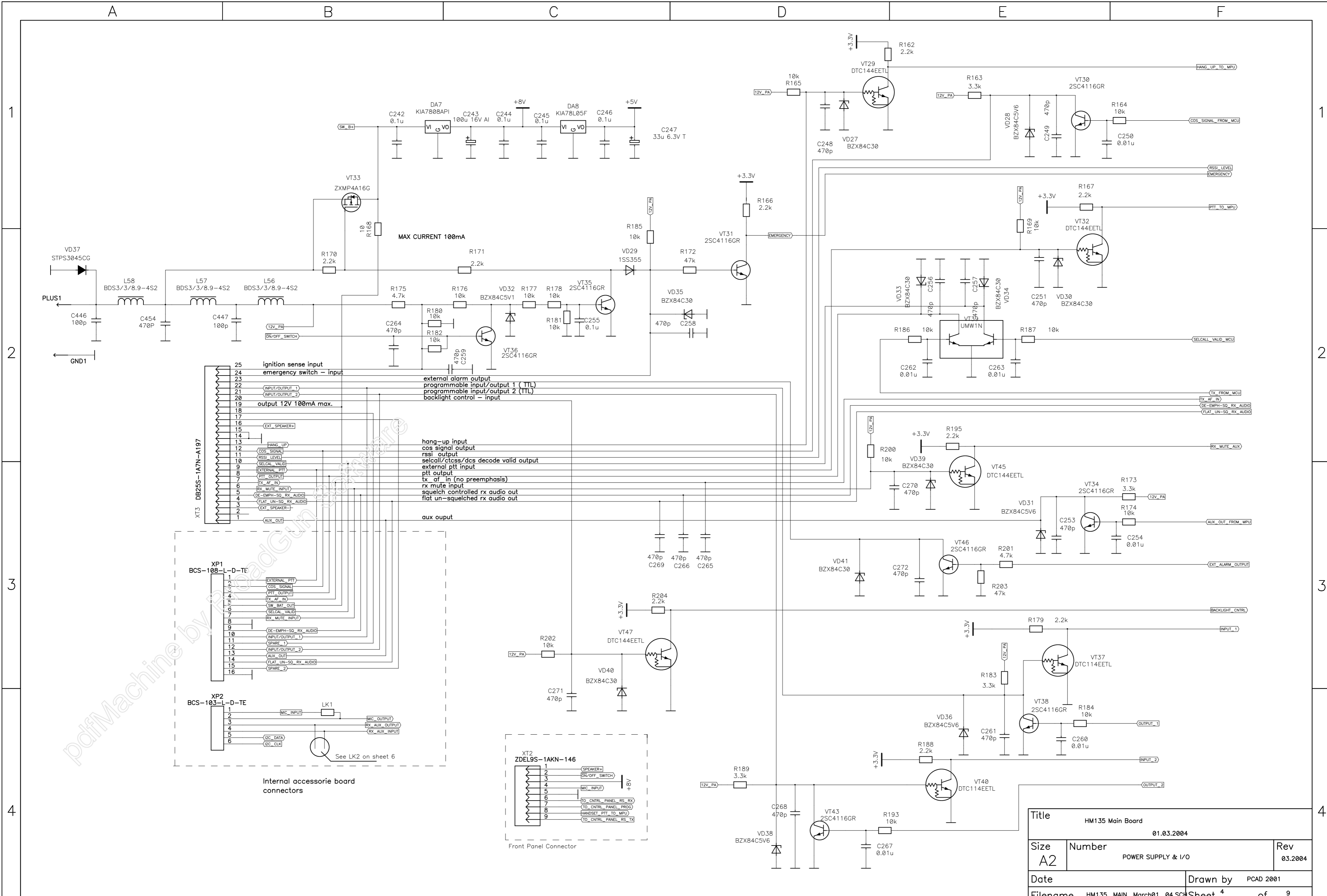
| | | | |
|----------|---------------------------|----------|------------------|
| Title | | | HM135 Main Board |
| Size | Number | Rev | |
| A2 | ADC BUFFERS | 03.2004 | |
| Date | 01.03.2004 | Drawn by | PCAD 2001 |
| Filename | HM135_MAIN_March01_04.Sch | Sheet | 7 of 9 |



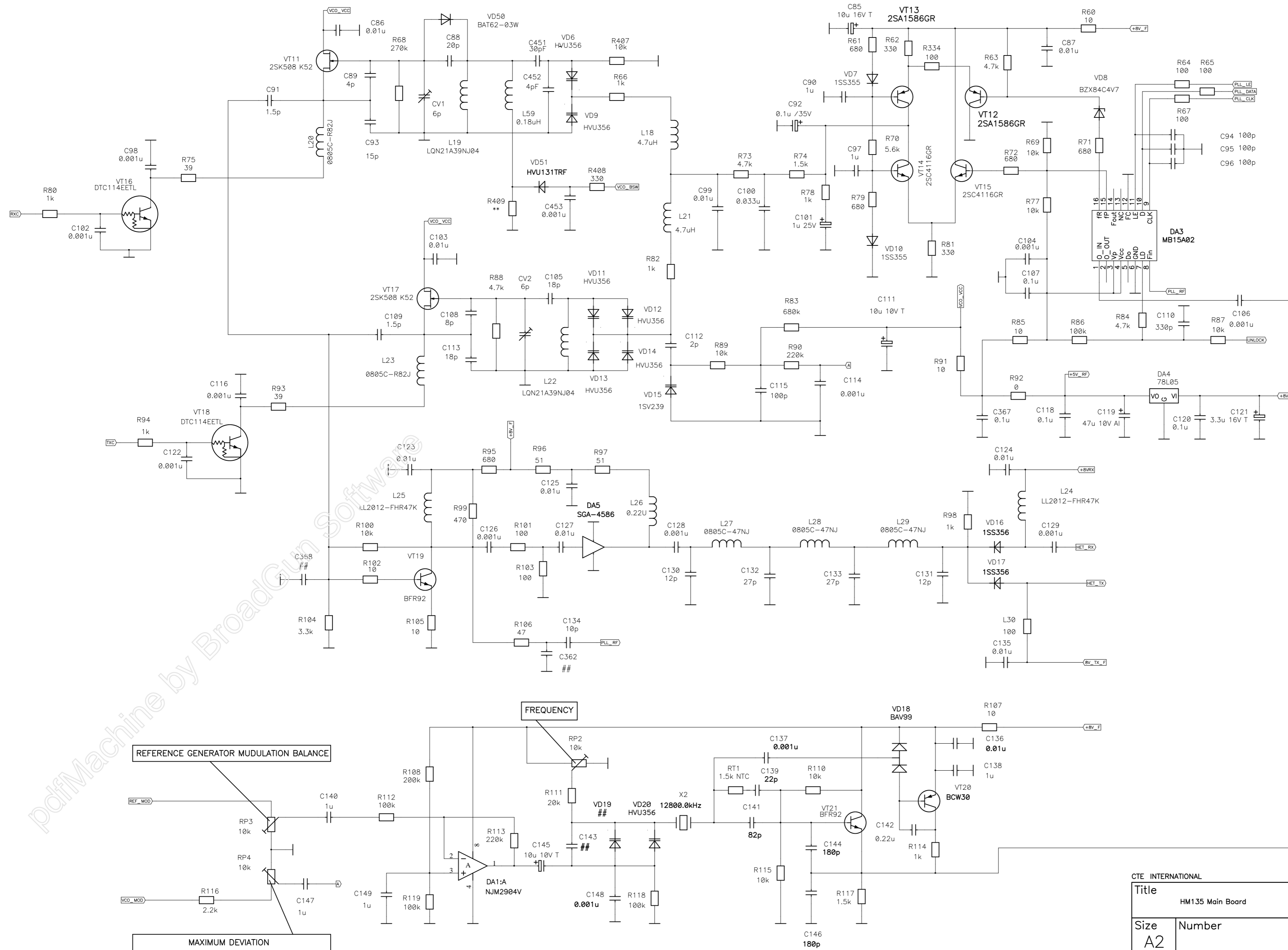
| | | | |
|----------|---------------------------|----------|------------------|
| Title | | | HM135 Main Board |
| Size | Number | Rev | |
| A2 | AUDIO | 03.2004 | |
| Date | 01.03.2004 | Drawn by | PCAD 2001 |
| Filename | HM135_MAIN_March01_04.SCH | Sheet | 6 of 9 |



| | | | |
|----------|---------------------------|--------------------|---------|
| Title | | HM135 Main Board | |
| Size | Number | MODULATION CONTROL | 03.2004 |
| A2 | 01.03.2004 | PCAD 2001 | Rev |
| Date | HM135_MAIN_March01_04.SCH | 5 | 9 |
| Filename | Drawn by | | |
| | Sheet | of | |



| | | | |
|----------|---------------------------|--------------------|-----------|
| Title | | HM135 Main Board | |
| | | 01.03.2004 | |
| Size | Number | POWER SUPPLY & I/O | |
| A2 | | Rev | |
| | | 03.2004 | |
| Date | Drawn by | | PCAD 2001 |
| Filename | HM135_MAIN_March01_04.SCH | Sheet | 4 of 9 |



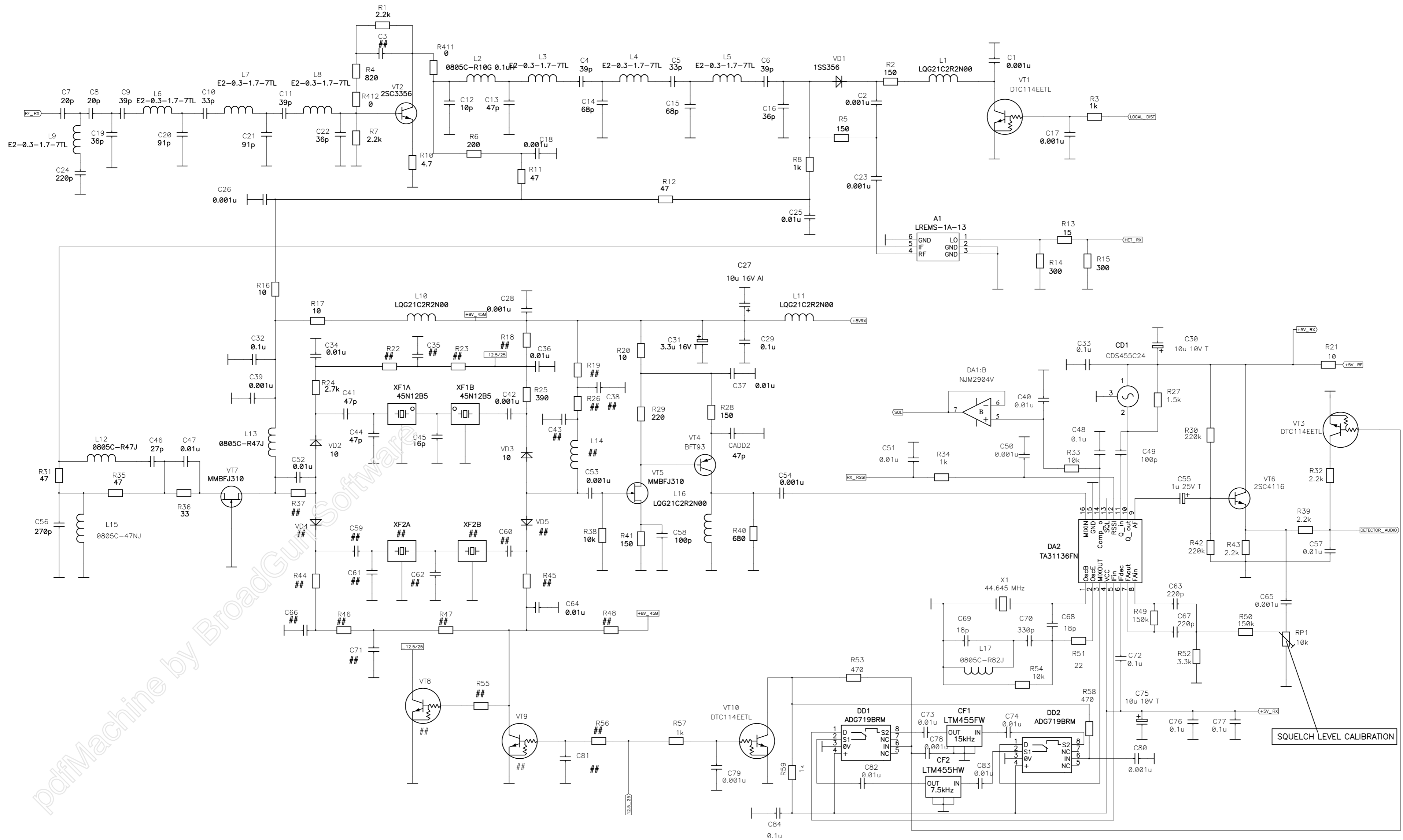
REFERENCE GENERATOR MUDULATION BALANCE

FREQUENCY

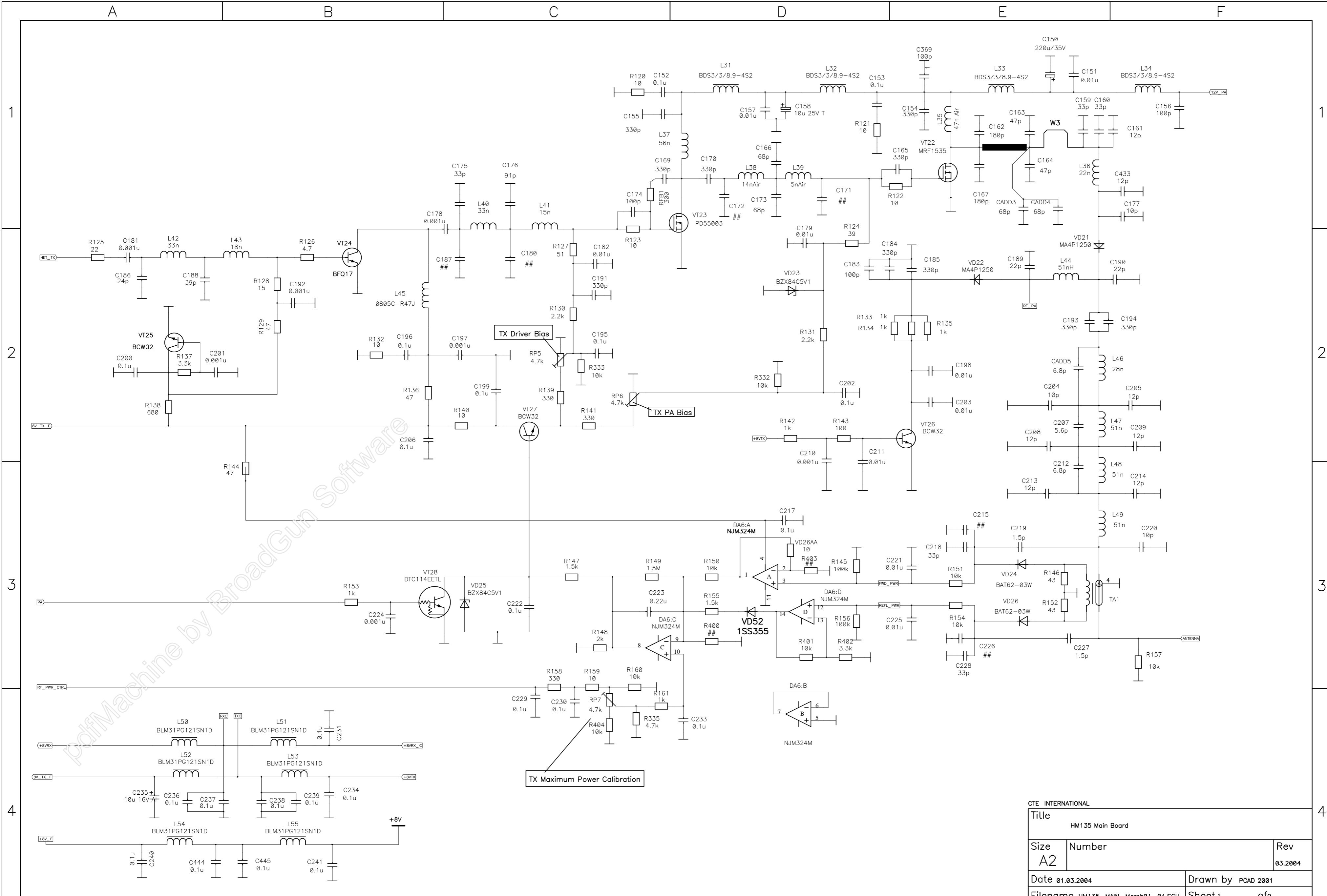
MAXIMUM DEVIATION

CTE INTERNATIONAL

| | | | |
|----------|---------------------------|------------------|-----------|
| Title | | HM135 Main Board | |
| Size | Number | Rev | |
| A2 | | 03.2004 | |
| Date | 01.03.2004 | Drawn by | PCAD 2001 |
| Filename | HM135_MAIN_March01_04.SCH | Sheet | 3 of 9 |



| | | |
|---------------------------------------|-----------------------|----------------|
| CTE INTERNATIONAL | | |
| Title HM135 Main Board | | |
| Size A2 | Number | Rev 03.2004 |
| Date 01.03.2004 | Drawn by PCAD 2001 | |
| Filename HM135_MAIN_March01_04.SCH | Sheet 2 | of 9 |



| | | | |
|------------------------------------|--------|--------------------|------|
| CTE INTERNATIONAL | | | |
| Title | | HM135 Main Board | |
| Size | Number | Rev | |
| A2 | | 03.2004 | |
| Date 01.03.2004 | | Drawn by PCAD 2001 | |
| Filename HM135_MAIN_March01_04.SCH | | Sheet 1 | of 9 |

Revision Notes

- 1) February 11 2004
R25 value changed to 390 Ohm,
R103 value changed from ### to 100 Ohm
C362 value changed from 5pF to ###
- 2) March 01 2004
R219 value changed to 10k
C282 changed to 0.1u
C283 type and value – now 1u ceramic
C452 changed to ### (Do Not Mount)
VD51 type changed to HVU131TRF
R409 changed to ### (Do Not Mount)

| | | | | | |
|----------|------------|--------------|------------------|-----|--|
| Title | | | HW135 Main Board | | |
| Size | Number | NOTES | | Rev | |
| A2 | | | | | |
| Date | 01.03.2004 | Drawn by | | | |
| Filename | | Sheet 1 of 1 | | | |