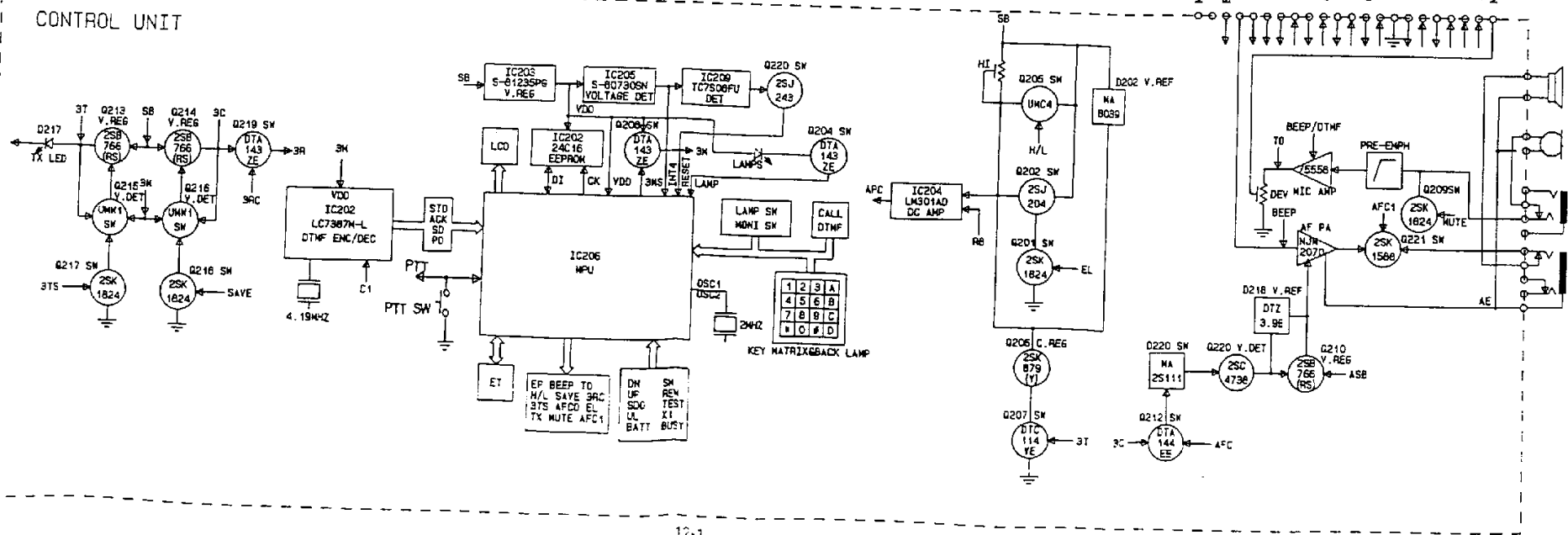
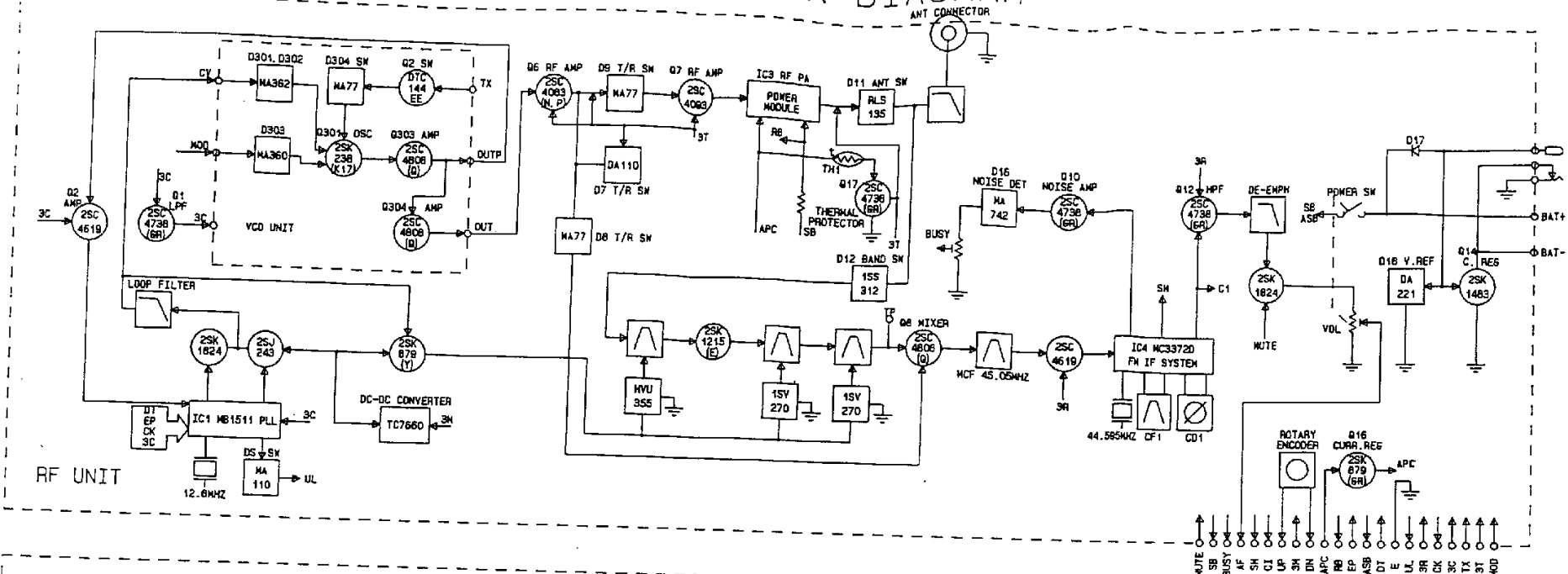
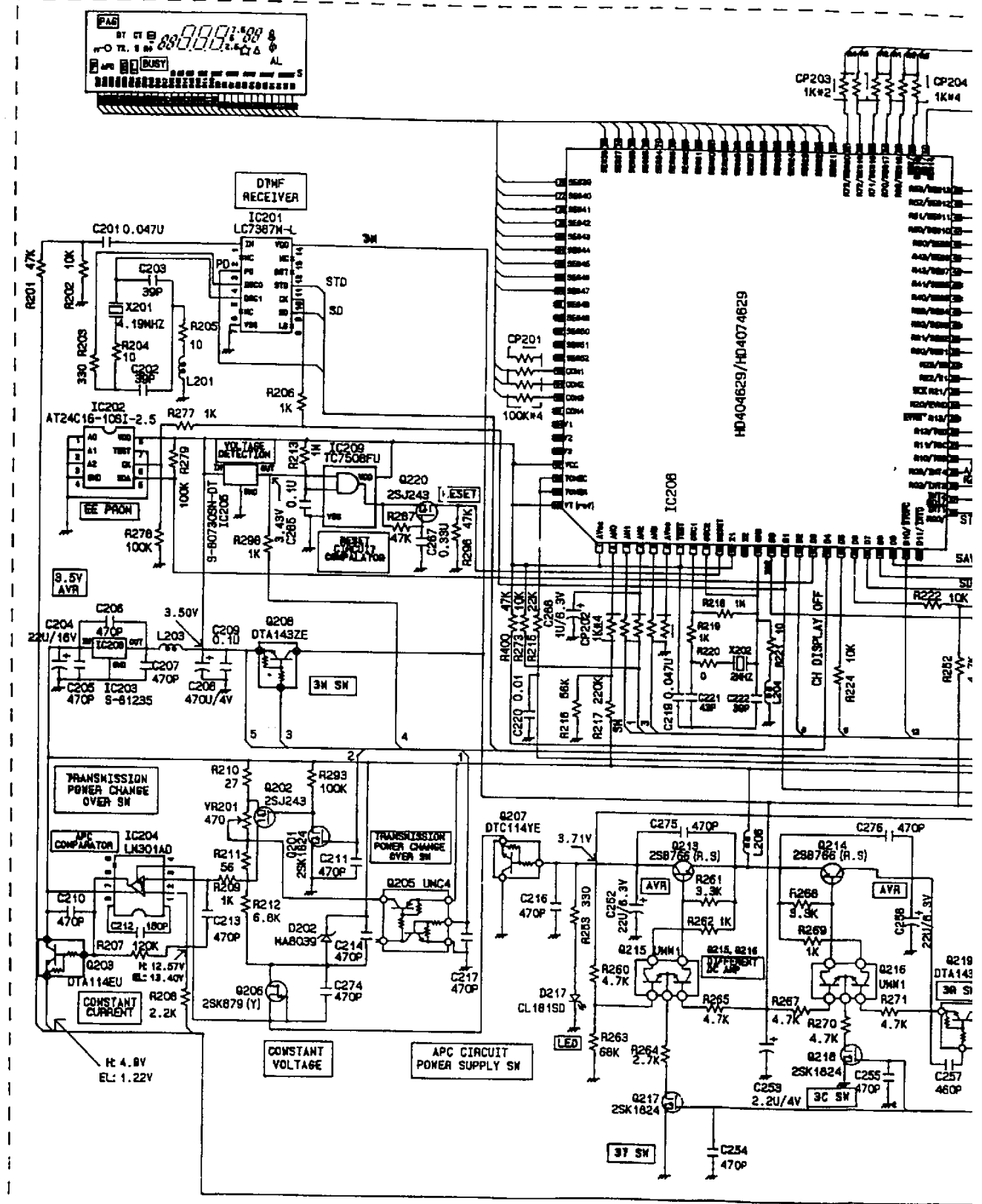
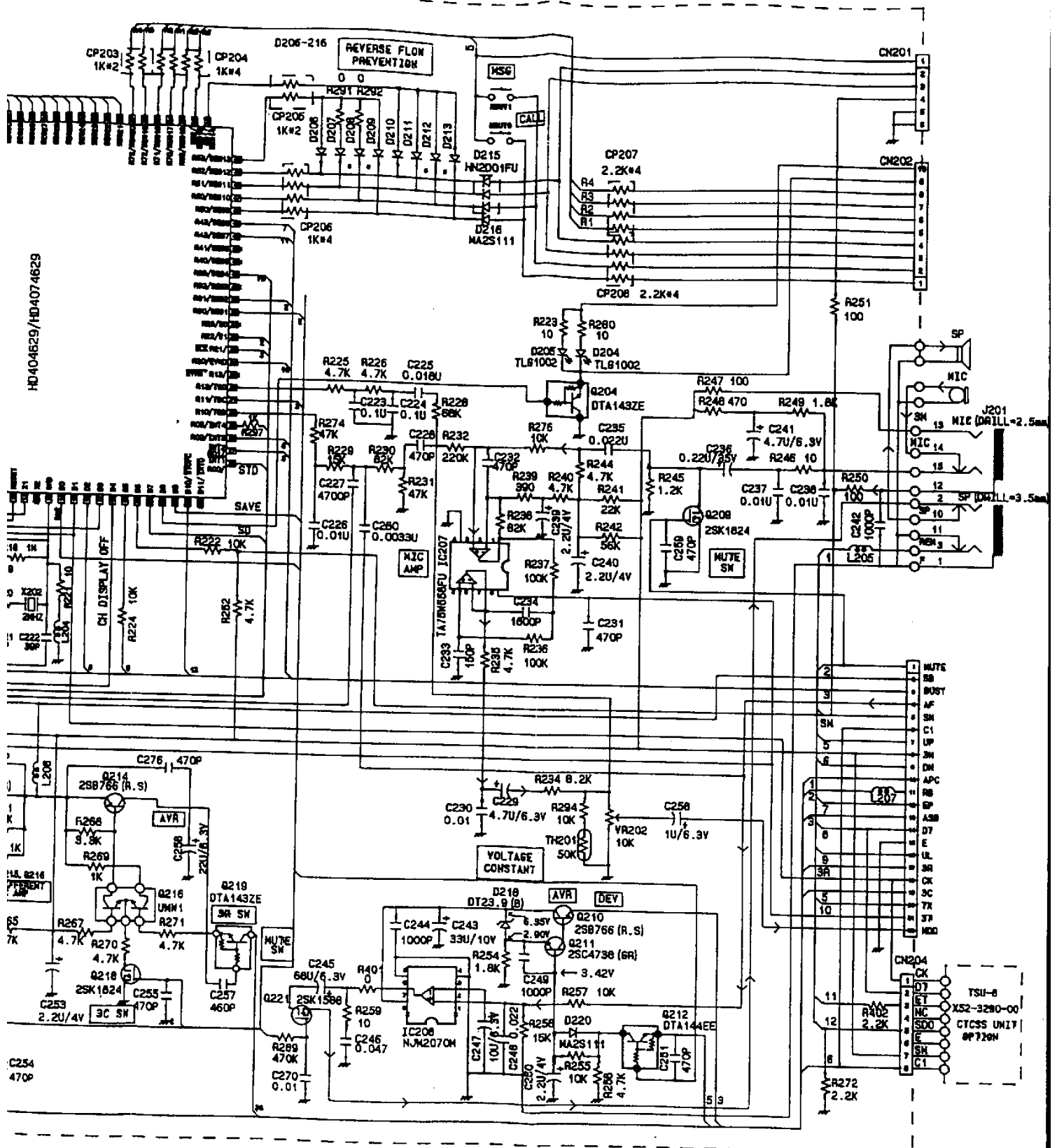


RL 105 BLOCK DIAGRAM AE 105



SCHEMATIC DIAGRAM AE 105

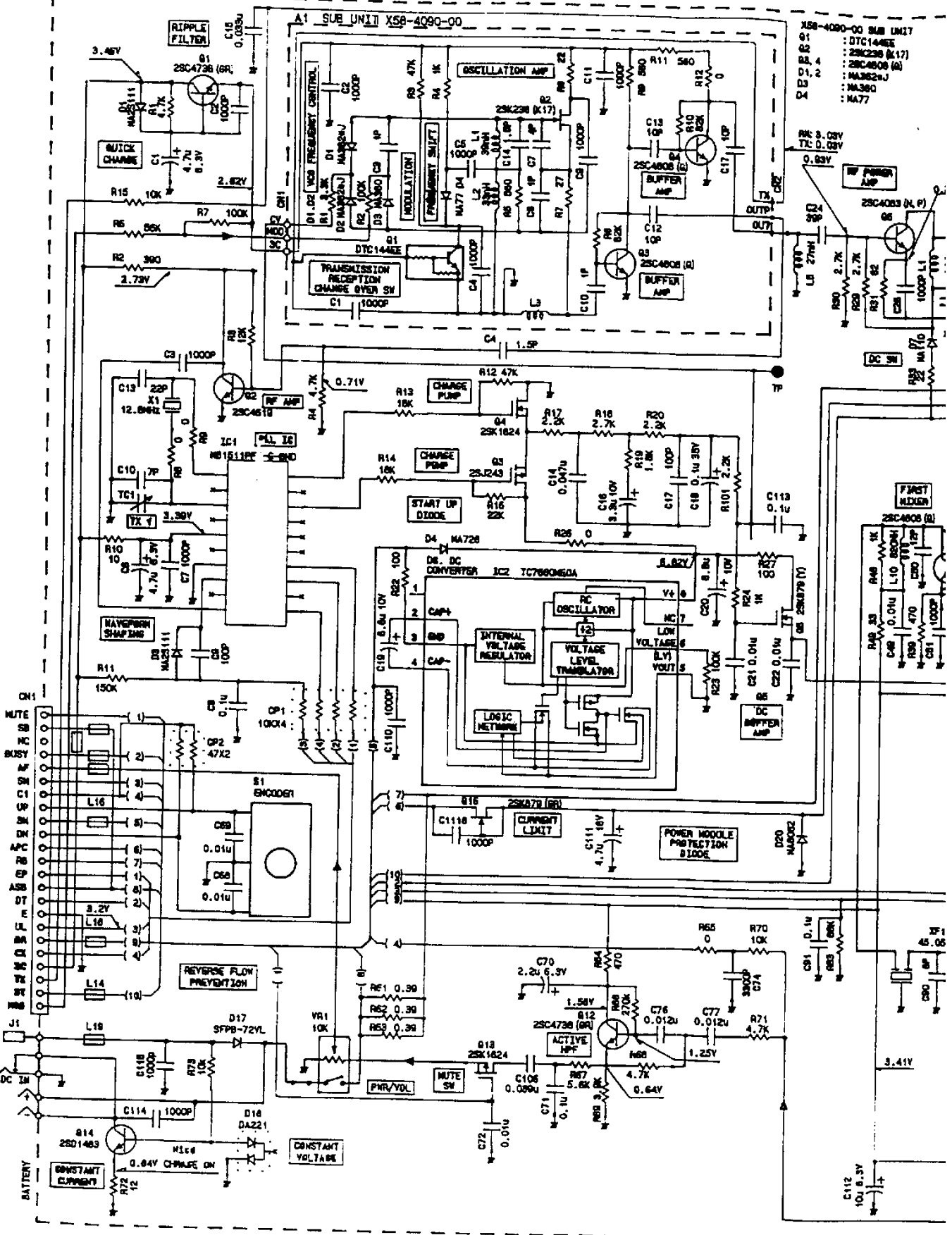




HD404629/HD4074629

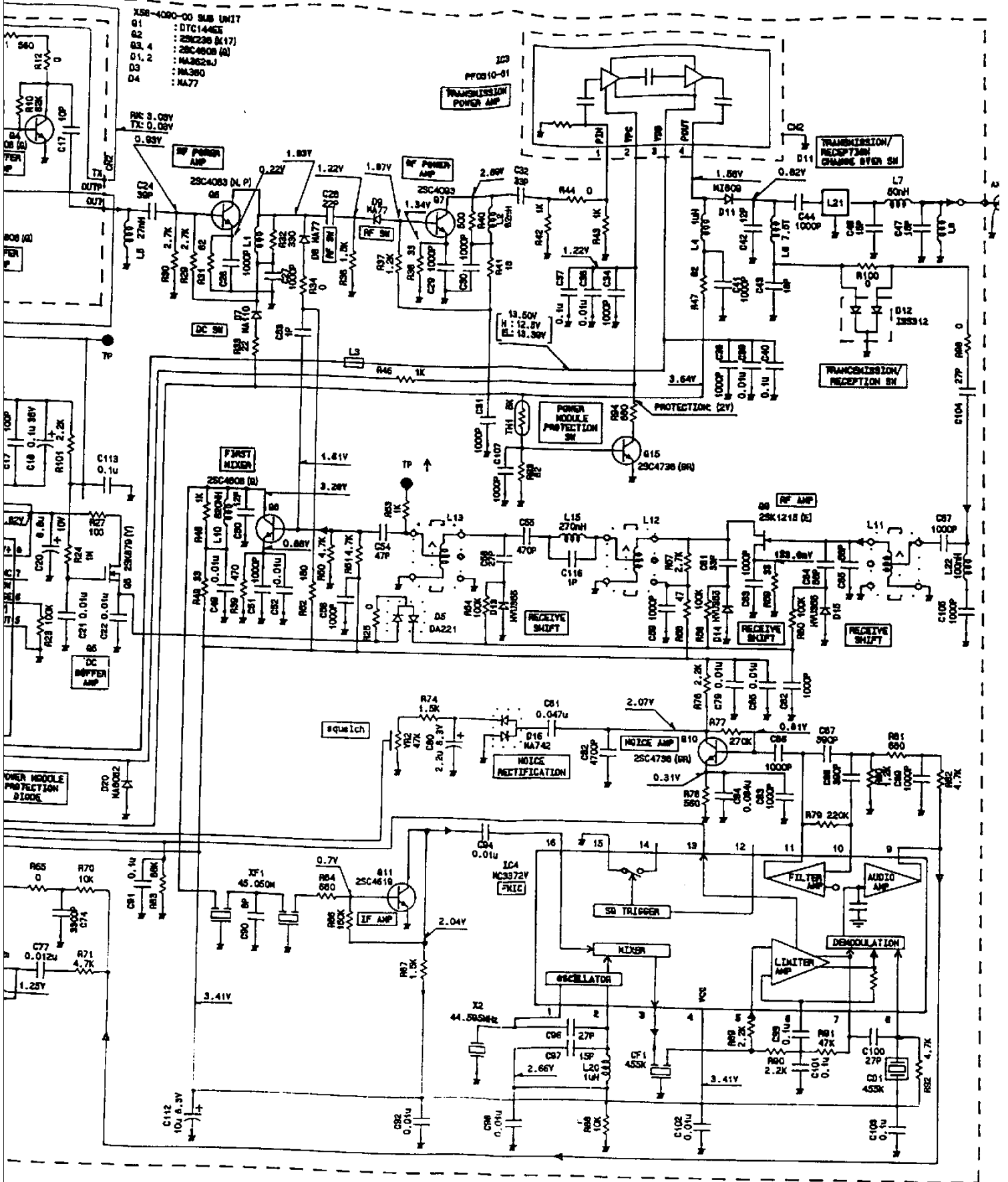
SCHEMATIC DIAGRAM *AFE 105 = RL115*

TX-RX UNIT X57-437X-XX (A/A)



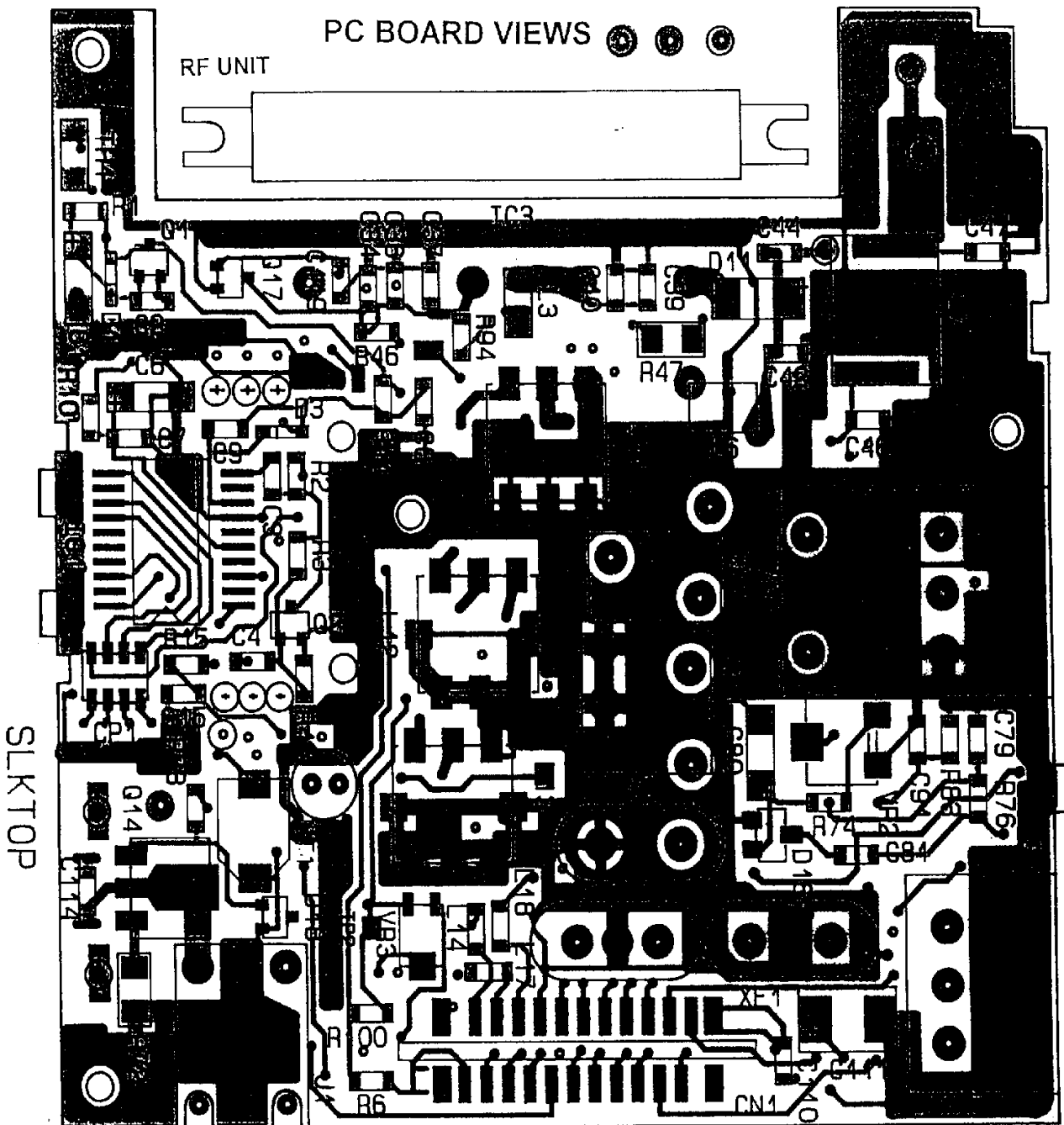
- X58-4090-00 SUB UNIT
 Q1 : DTC144EE
 Q2 : 2SK236 (K17)
 Q3 : 2SC4606 (E)
 Q4 : MA360J
 Q5 : MA360
 Q6 : MA370

75



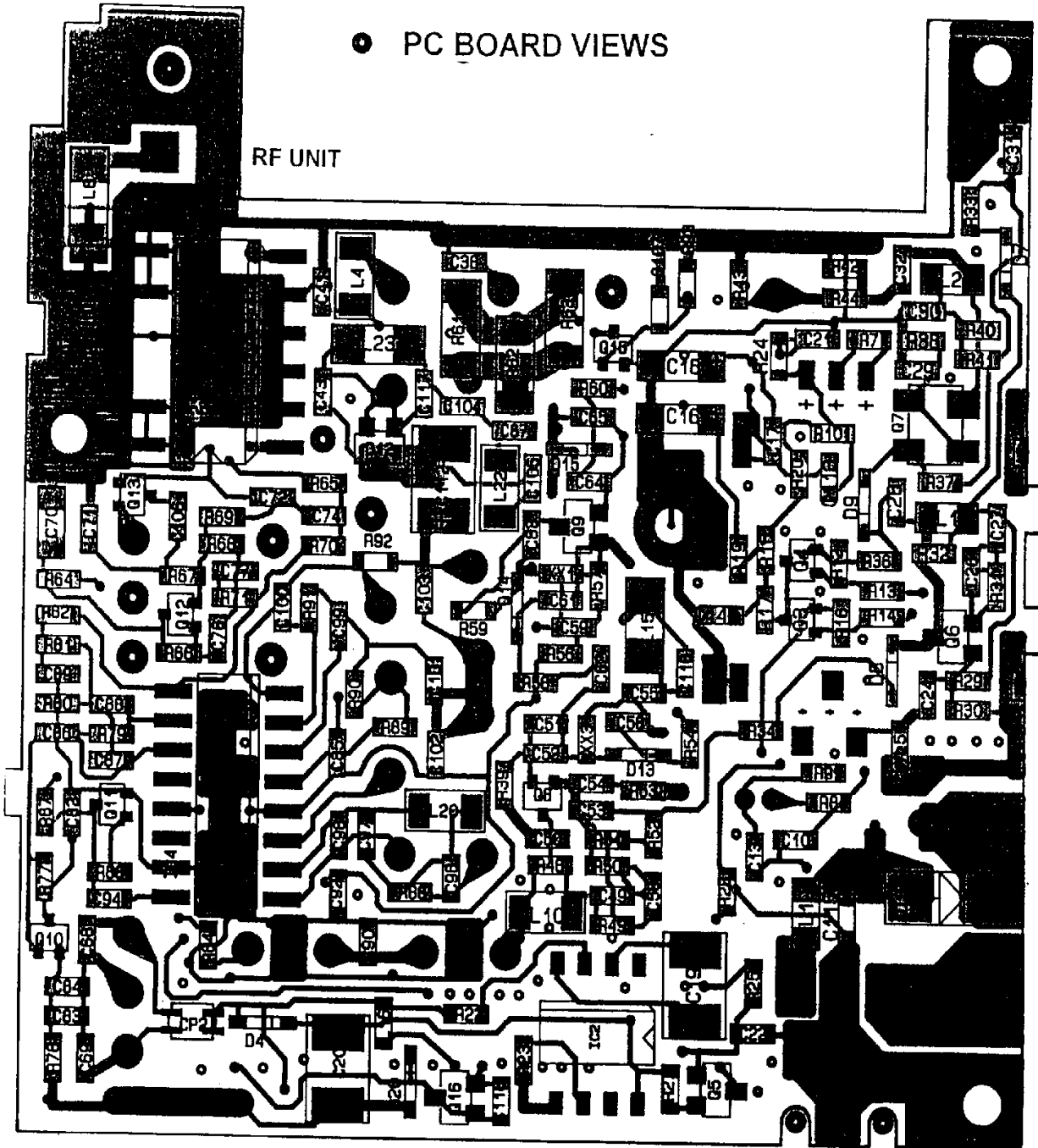
PC BOARD VIEWS

RF UNIT



● PC BOARD VIEWS

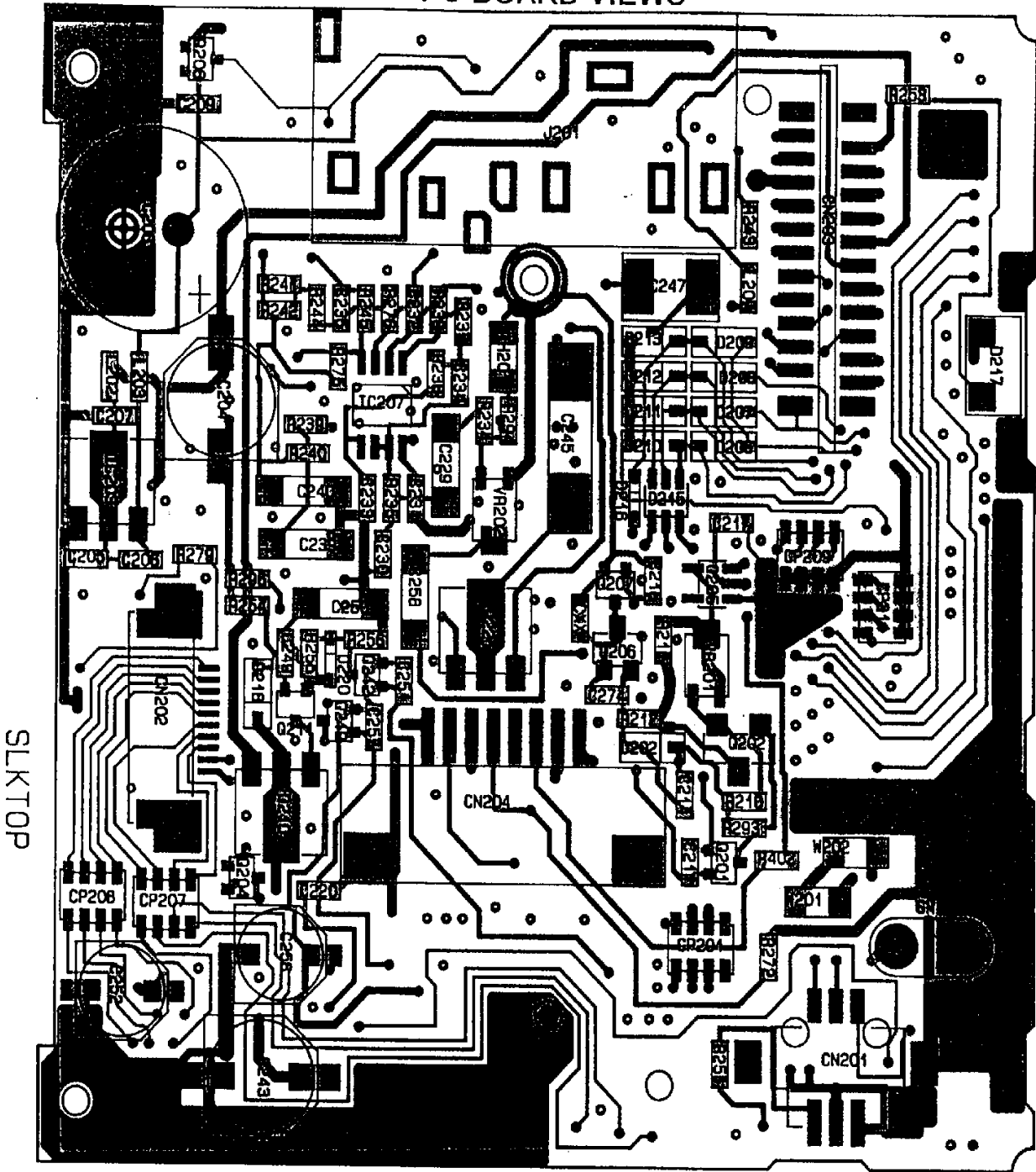
RF UNIT



SLKBOT

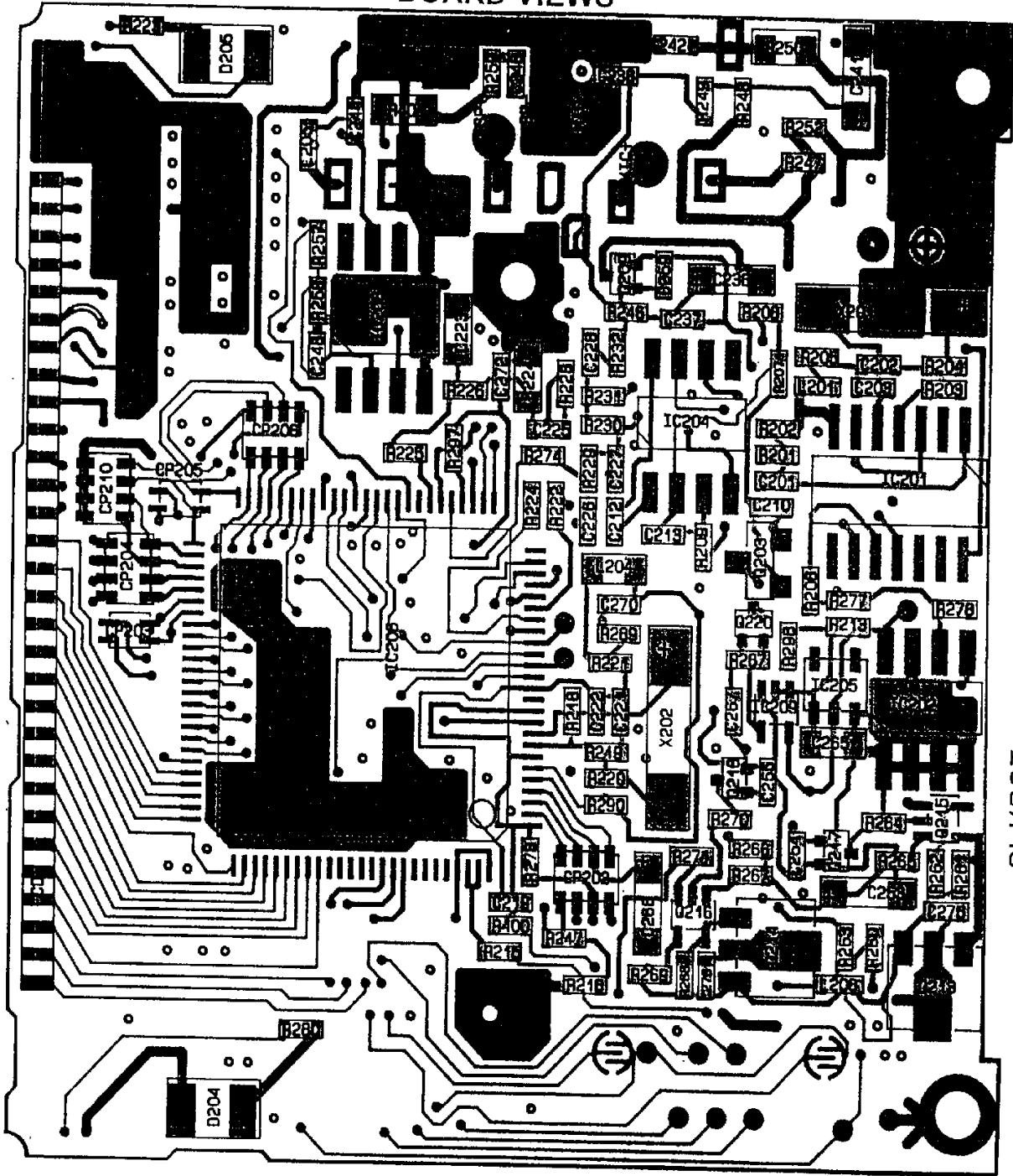
CTRL UNIT

PC BOARD VIEWS



CTRL UNIT

PC BOARD VIEWS



SLKB01

PC BOARD VIEWS

VCO UNIT

