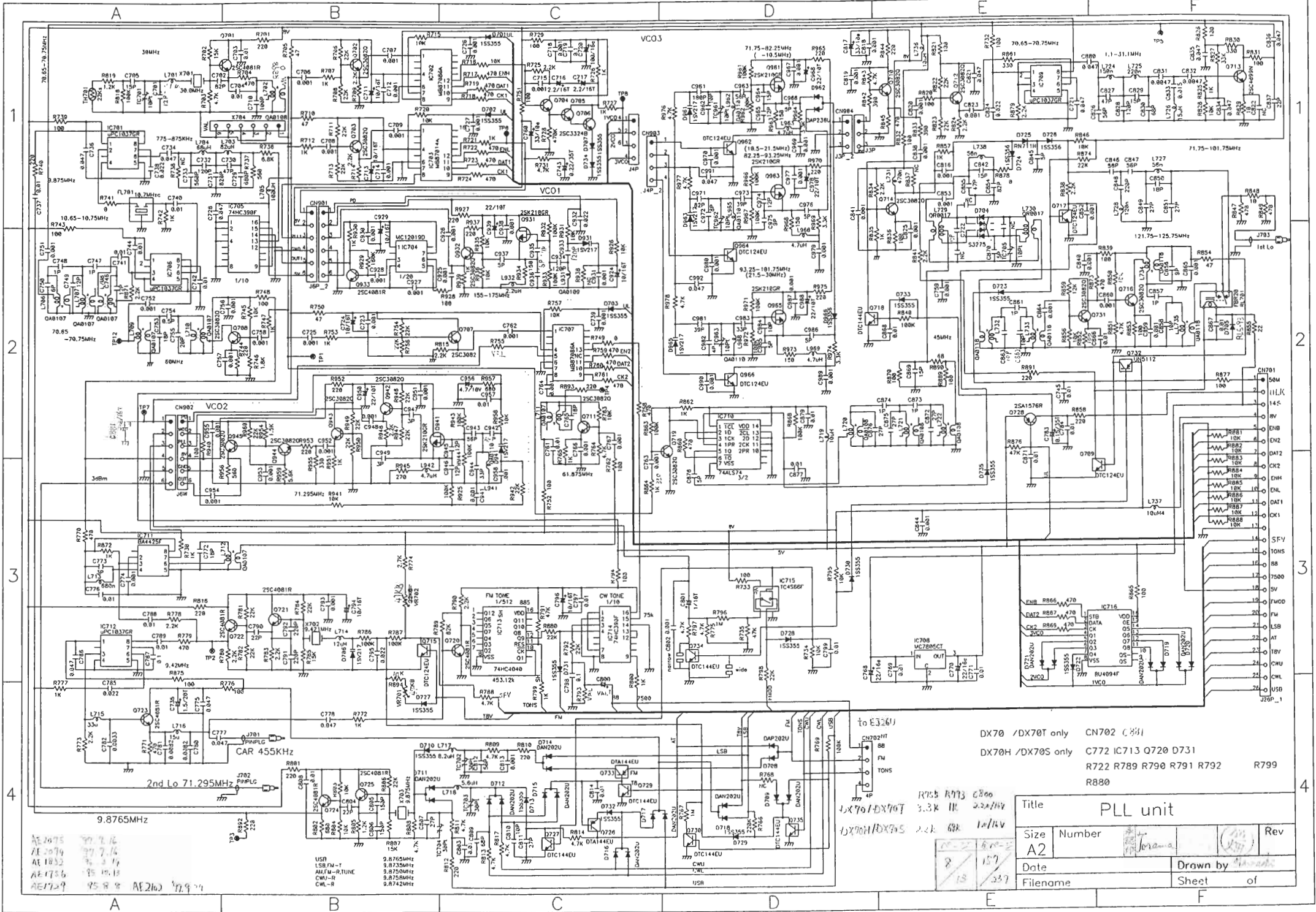


Δ AE242  
 Δ AE247  
 Δ AE259

REV	DATE	DESCRIPTION	PAGE	ALL PAGE
1	1/95	150	227	

Site	Document number	REV
D	MAIN DX-70/T/H	
Date	Jun 7 1995	

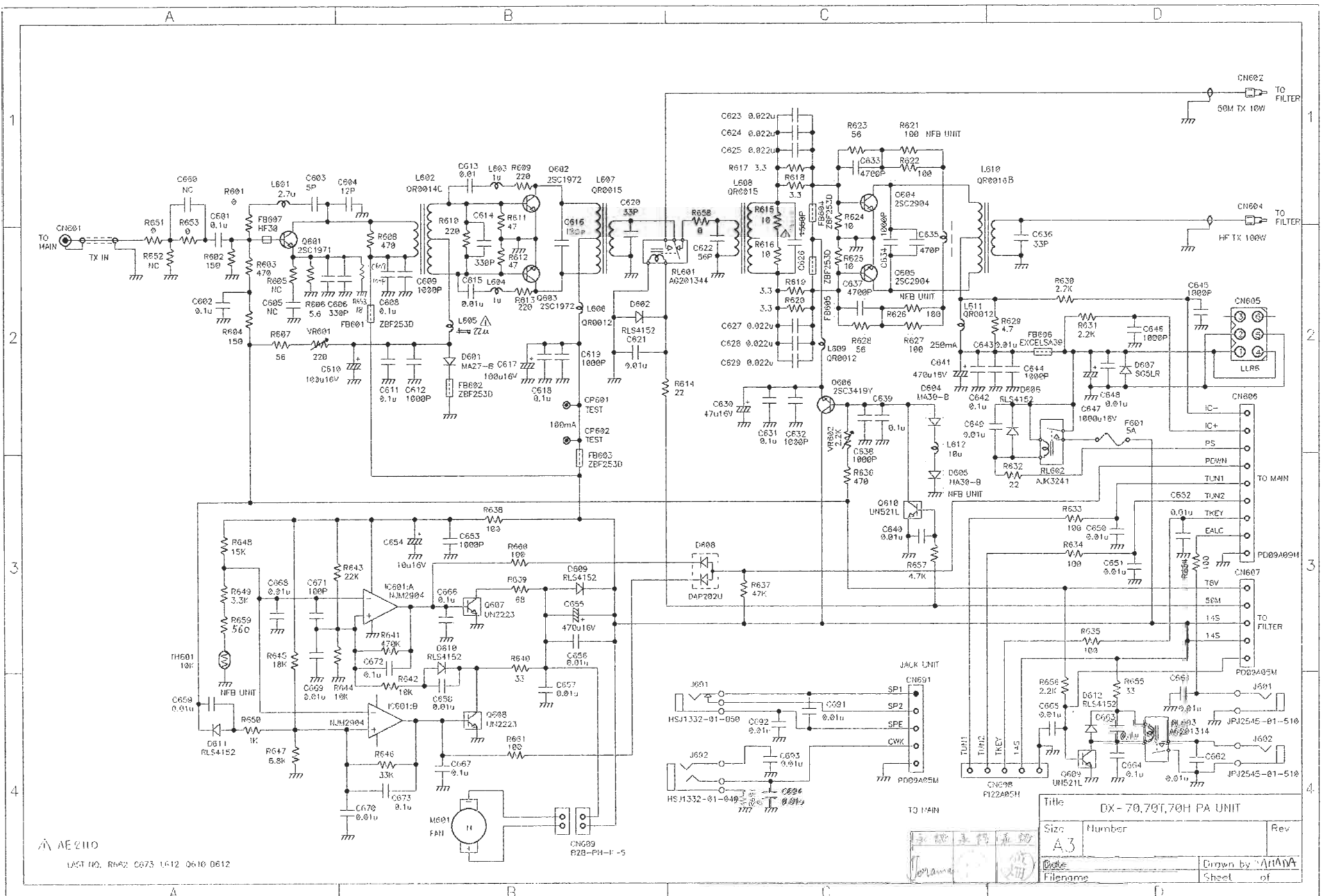


AE1795 79.716  
 AE1794 79.716  
 AE1832 79.716  
 AE1786 79.716  
 AE1729 79.8 \* AE1210 79.9 \* 1

USR 0.8750MHz  
 LSB FM-T 0.8750MHz  
 AM-FM-R-TUNE 0.8750MHz  
 CWI-R 0.8750MHz  
 CWI-R 0.8742MHz

DX70 /DX70T only  
 DX70H /DX70S only  
 R765 R793 C800  
 4X70/DX70T 3.3K 1K 220/10V  
 4X70H/DX70S 2.2K 68K 10/10V

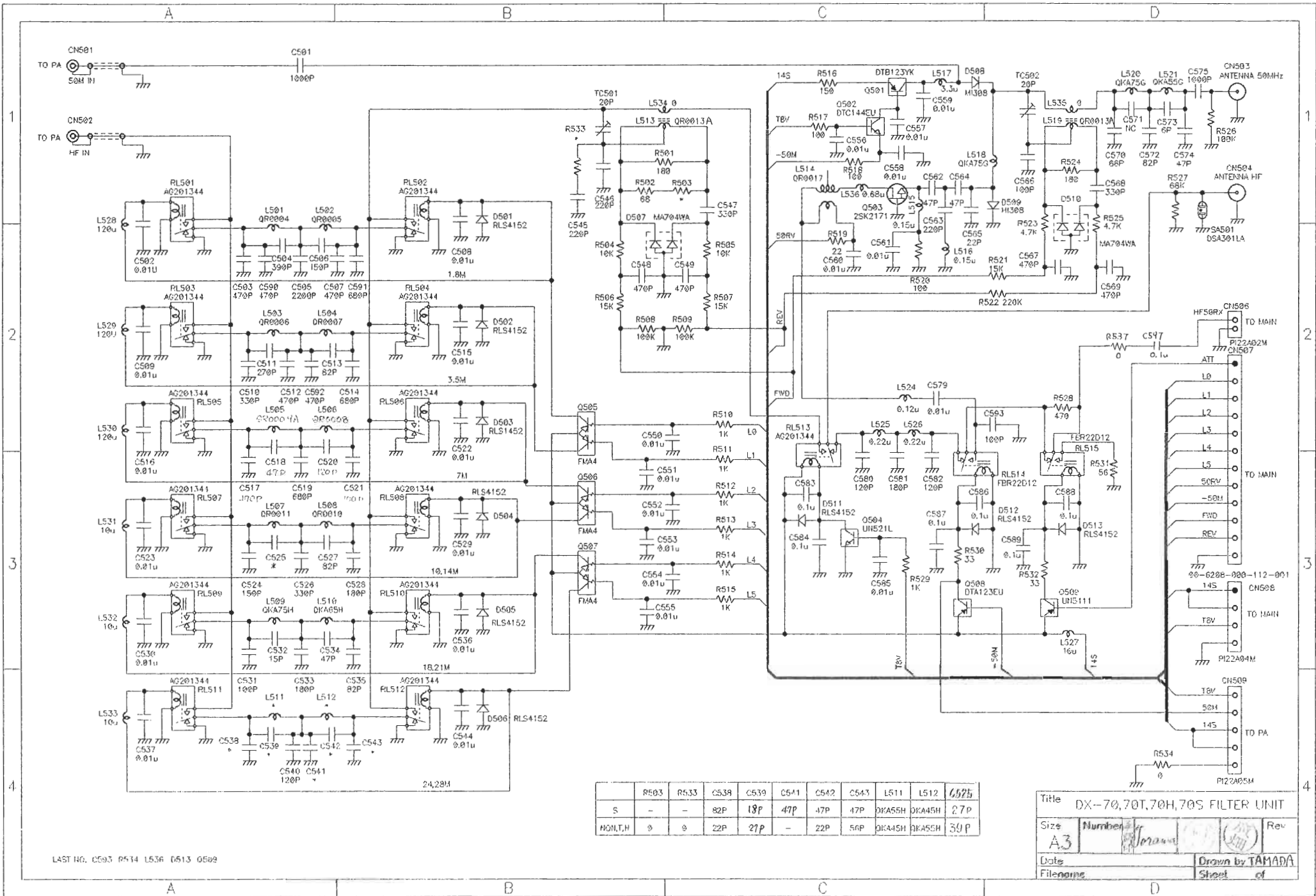
Title		PLL unit	
Size	A2	Number	1012-a
Date		Drawn by	Handwritten
Filename		Sheet	of



AE 2110  
 LAST NO. RNF# C673 1-412 Q610 D612

Title		DX-70,70T,70H PA UNIT	
Size	A3	Number	
Drawn by	ANANA	Sheet	of
File name			

158  
 227

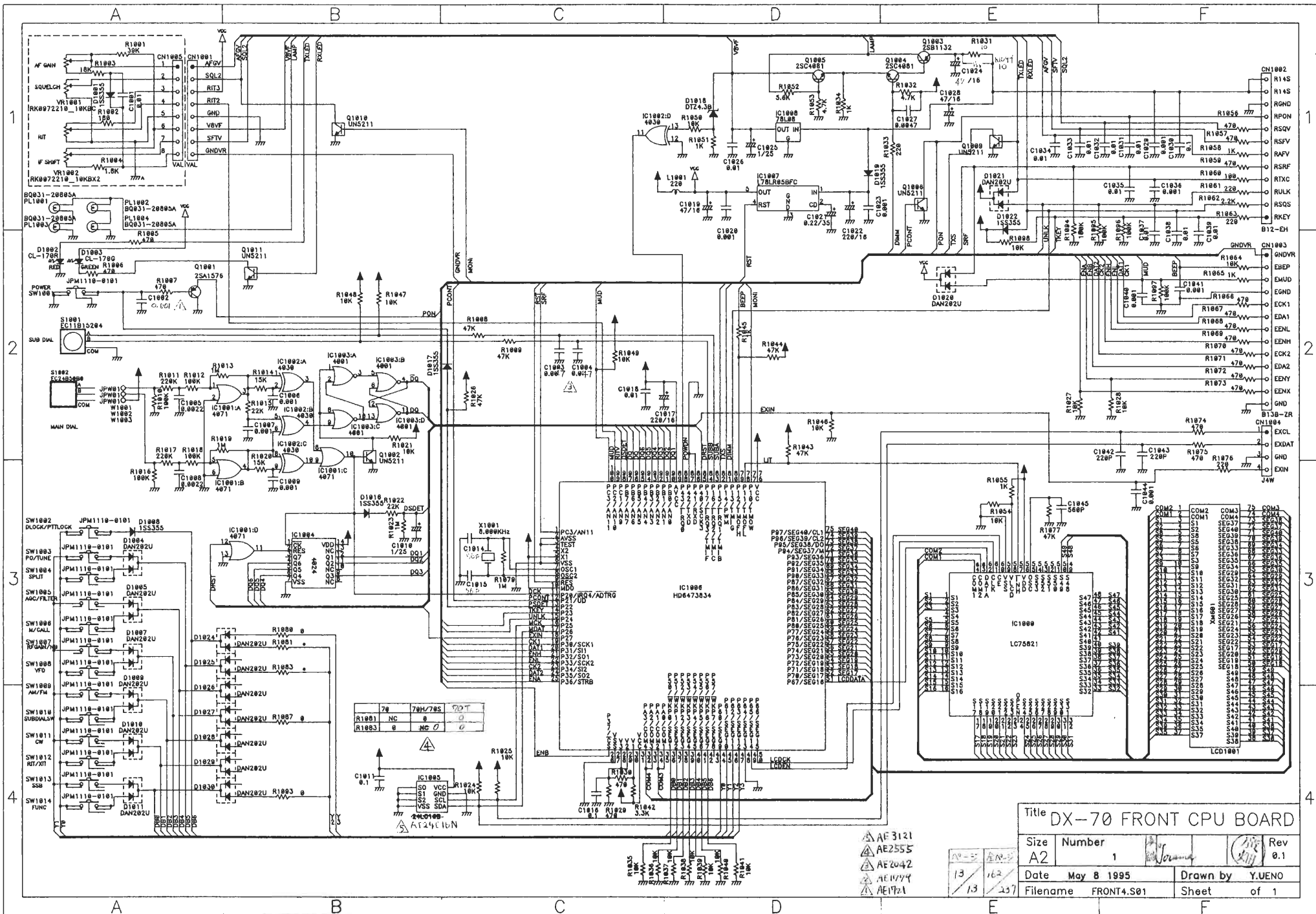


LAST NO. C503 R514 L536 D513 Q509

	R503	R533	C539	C539	C541	C542	C543	L511	L512	C525
S	-	-	82P	18P	47P	47P	47P	0KA55H	0KA45H	27P
HON.T.H	0	0	22P	27P	-	22P	56P	0KA45H	0KA55H	30P

Title DX-70, 70T, 70H, 70S FILTER UNIT  
 Size A3  
 Date  
 Drawn by TAHADA  
 Sheet of

12-61  
 18-27



Title **DX-70 FRONT CPU BOARD**

Size	Number	Rev
A2	1	0.1
Date	May 8 1995	Drawn by Y.UENO
Filename	FRONT4.S01	Sheet of 1

13 162  
13 162  
457