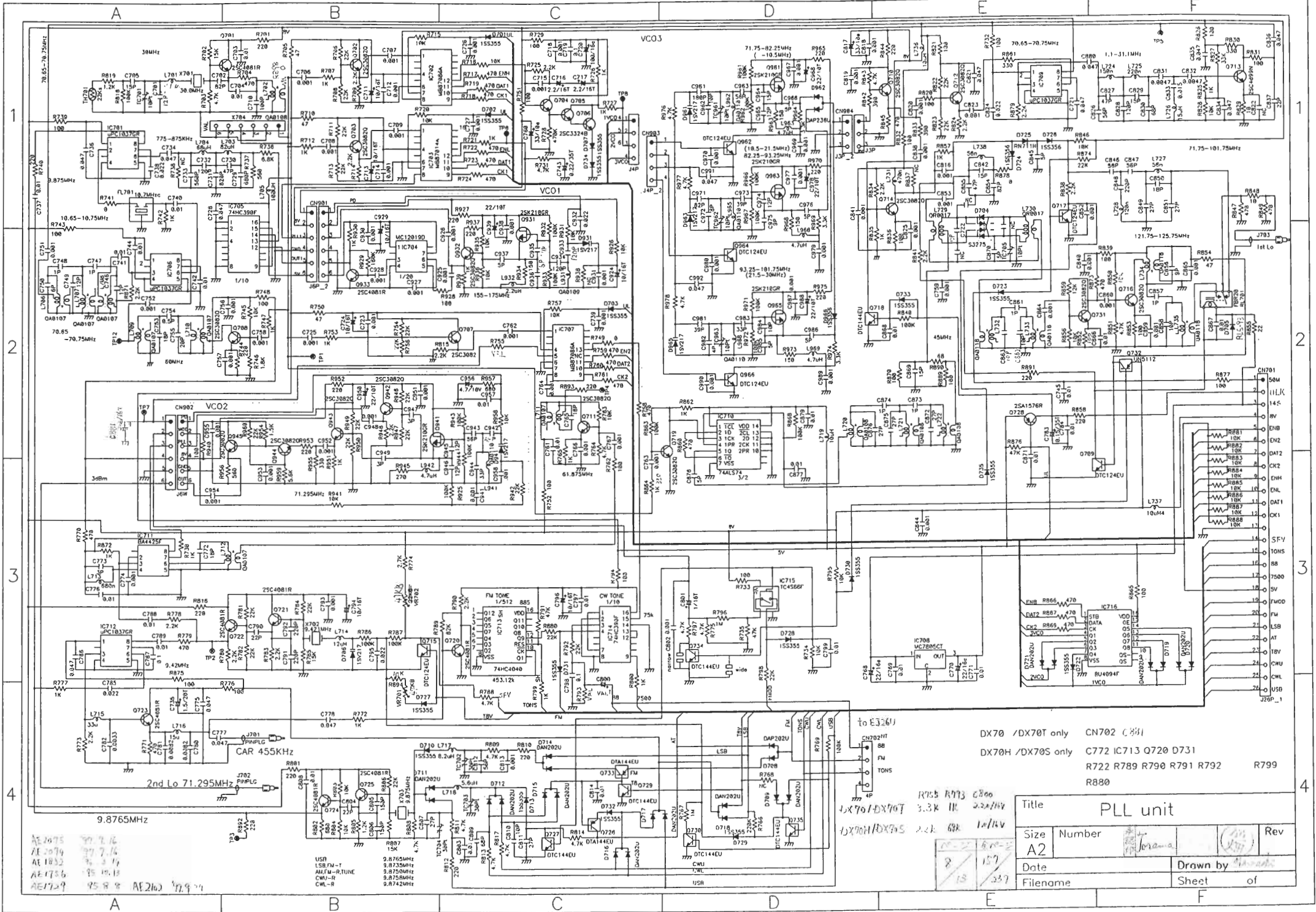


AE242
 AE247
 AE259

Rev	Document number	DATE	PAGE	ALL PAGE	REV
D	MAIN DX-70/T/H	Jun 7 1995	150	227	

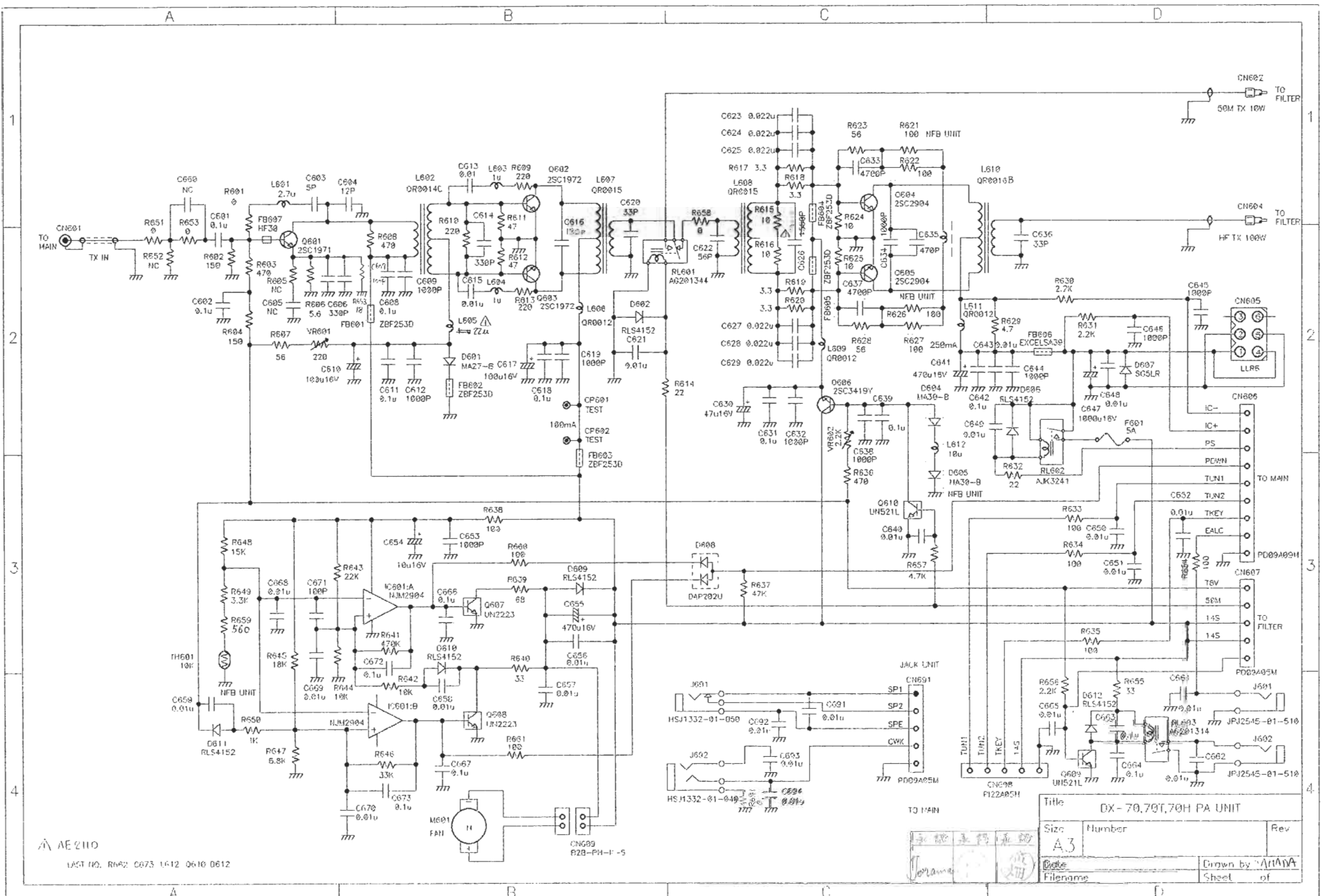


AE1795 77.76
 AE1794 77.76
 AE1832 78.34
 AE1786 78.15
 AE1729 75.8 * AE1210 77.9 *
 USB 9.8750MHz
 LSB FM-T 9.8750MHz
 AM-FM-R-TUNE 9.8750MHz
 CW-I-R 9.8750MHz
 CW-I-R 9.8742MHz

DX70 /DX70T only CN702 C841
 DX70H /DX70S only C772 IC713 Q720 D731
 R722 R789 R790 R791 R792 R799
 R880

R765 R793 C800
 4X70/DX70T 3.3K 1R 220/10V
 4X70H/DX70S 2.2K 6R 10/10V

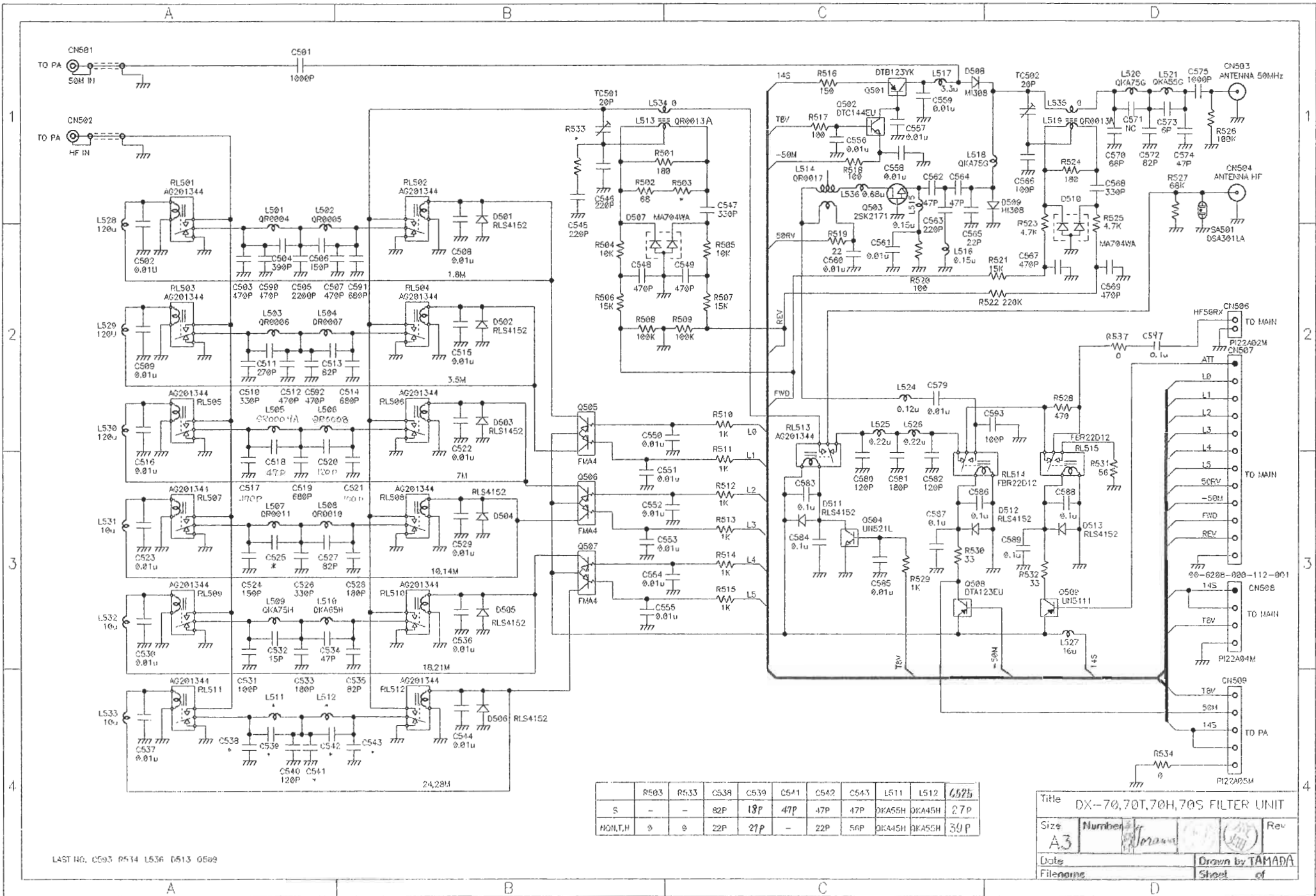
Title		PLL unit	
Size	A2	Number	1012-a
Date		Drawn by	Handwritten
Filename		Sheet	of



AE 2110
 LAST NO. RNF2 C673 1-412 Q610 D612

Title		DX-70,70T,70H PA UNIT	
Size	A3	Number	
Date		Drawn by	ANANA
Filename		Sheet	of

10/15/89
 13/237

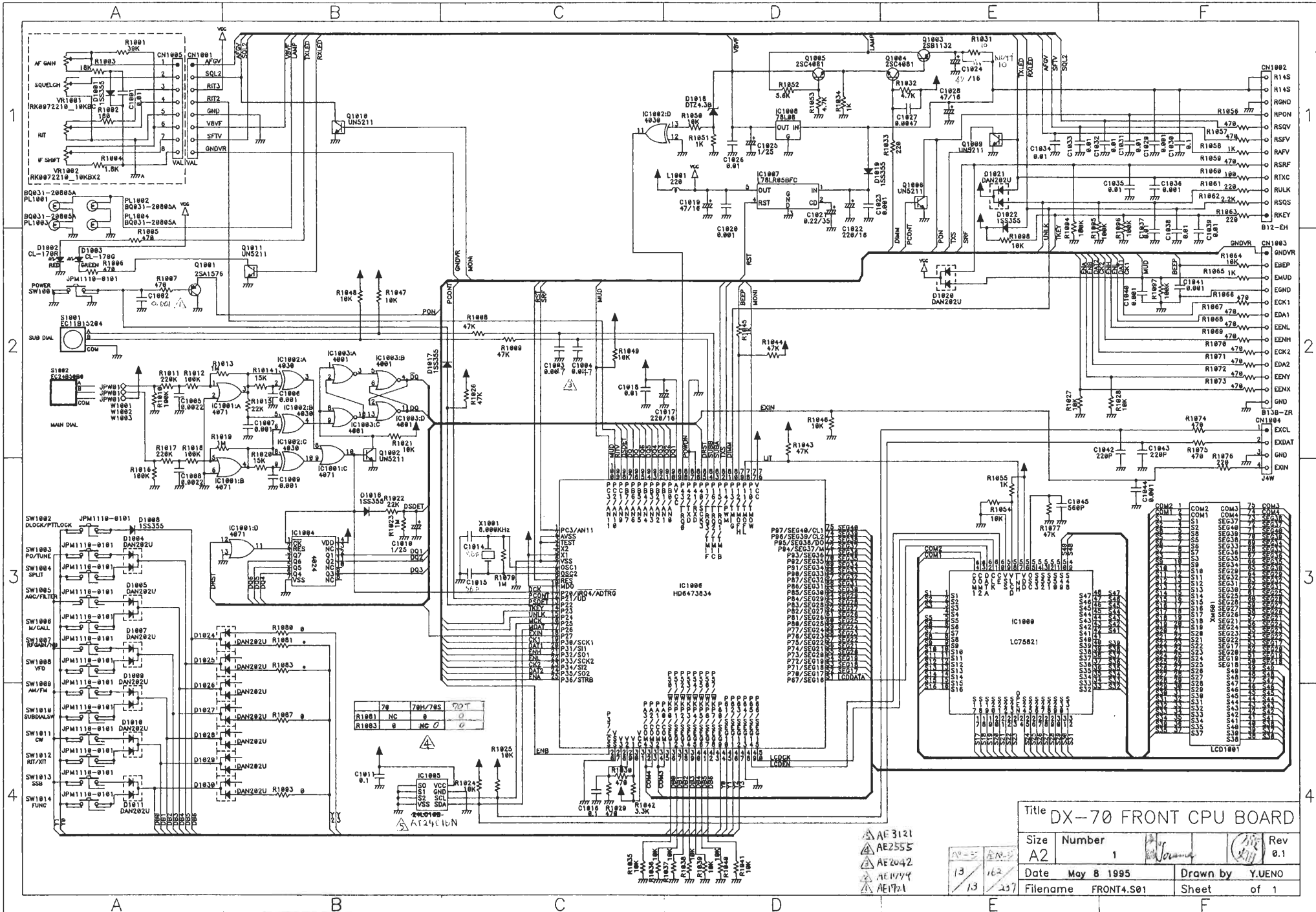


LAST NO. C503 R514 L536 D513 Q509

	R503	R533	C539	C539	C541	C542	C543	L511	L512	C525
S	-	-	82P	18P	47P	47P	47P	0KA55H	0KA45H	27P
HON.T.H	0	0	22P	27P	-	22P	56P	0KA45H	0KA55H	30P

Title	DX-70, 70T, 70H, 70S FILTER UNIT		
Size	A3	Number	Rev
Date		Drawn by	TAMADA
Filename		Sheet	of

12-81
18-27



Title **DX-70 FRONT CPU BOARD**

Size	Number	Rev
A2	1	0.1
Date	May 8 1995	Drawn by Y.UENO
Filename	FRONT4.S01	Sheet of 1

7#	7#H/7#S	7#T
R1881	NC	0
R1883	0	MC 0

- △ AF 3121
- △ AE2555
- △ AE2042
- △ AE1077
- △ AE1921

13	162
13	457