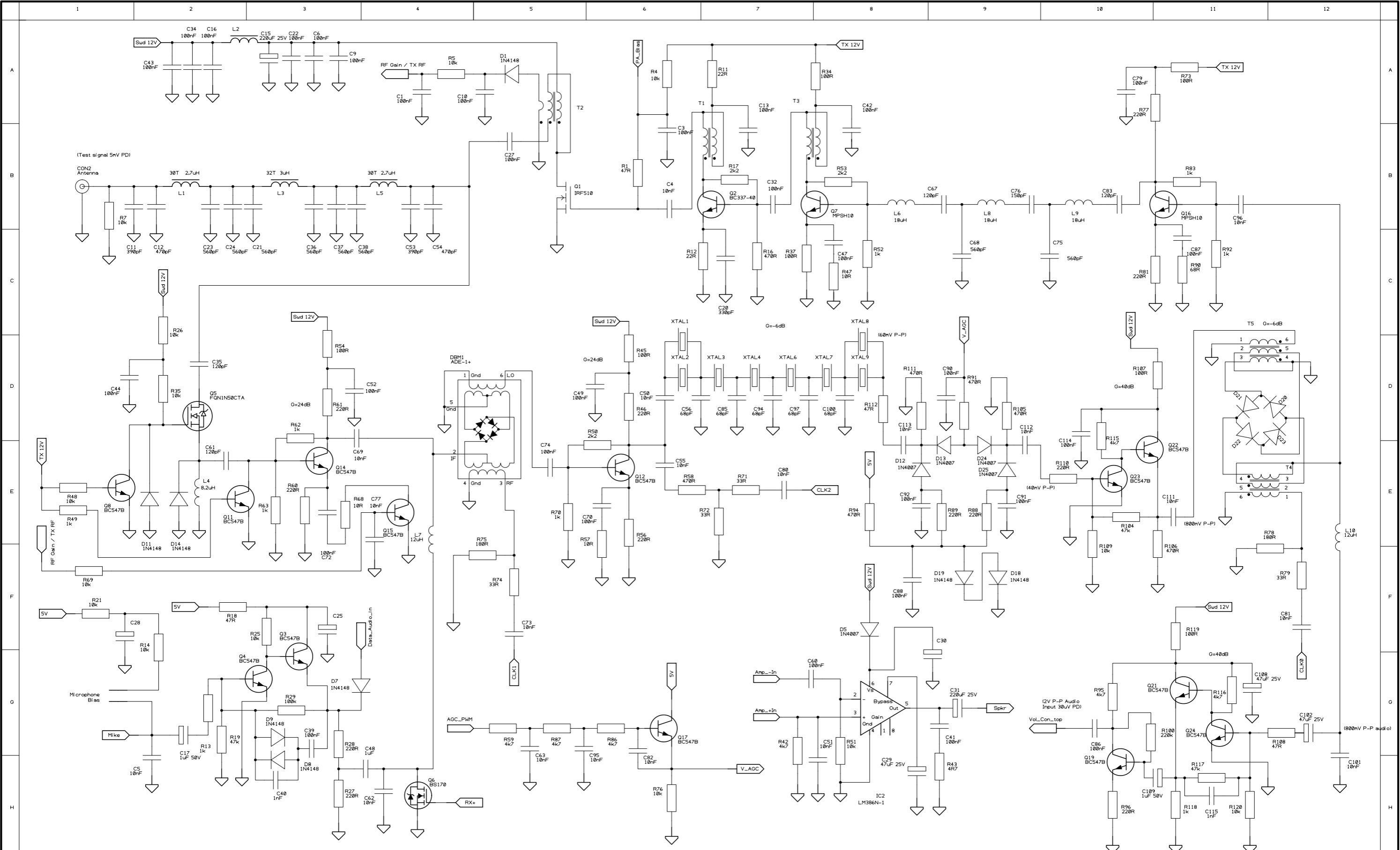


RTS to 4
17 to 8
18 to 9
USBDP to 1
USBDM to 2

				CHECKED		DIMENSIONS		PAGE TITLE	
				APPROVED		mm		Page 1	
				Document Number:		PLOT SCALE		FILE DETAILS Current Variant or Master Design:	
						Last Saved: 22/10/2023		TITLE	
				DO NOT SCALE DRAWING. IF IN DOUBT ASK.		ORIGINAL SHT SIZE A3		RK Explorer Minor 80M version	
ISSUE HISTORY	DCP No	DATE	DRAWN	BRIEF DESCRIPTION OF CHANGE DENOTED BY:		TOLERANCES GENERAL= ±0.1 ANGULAR= ±1°		Author: Steve	
								DRG. No.	
								Page 1	



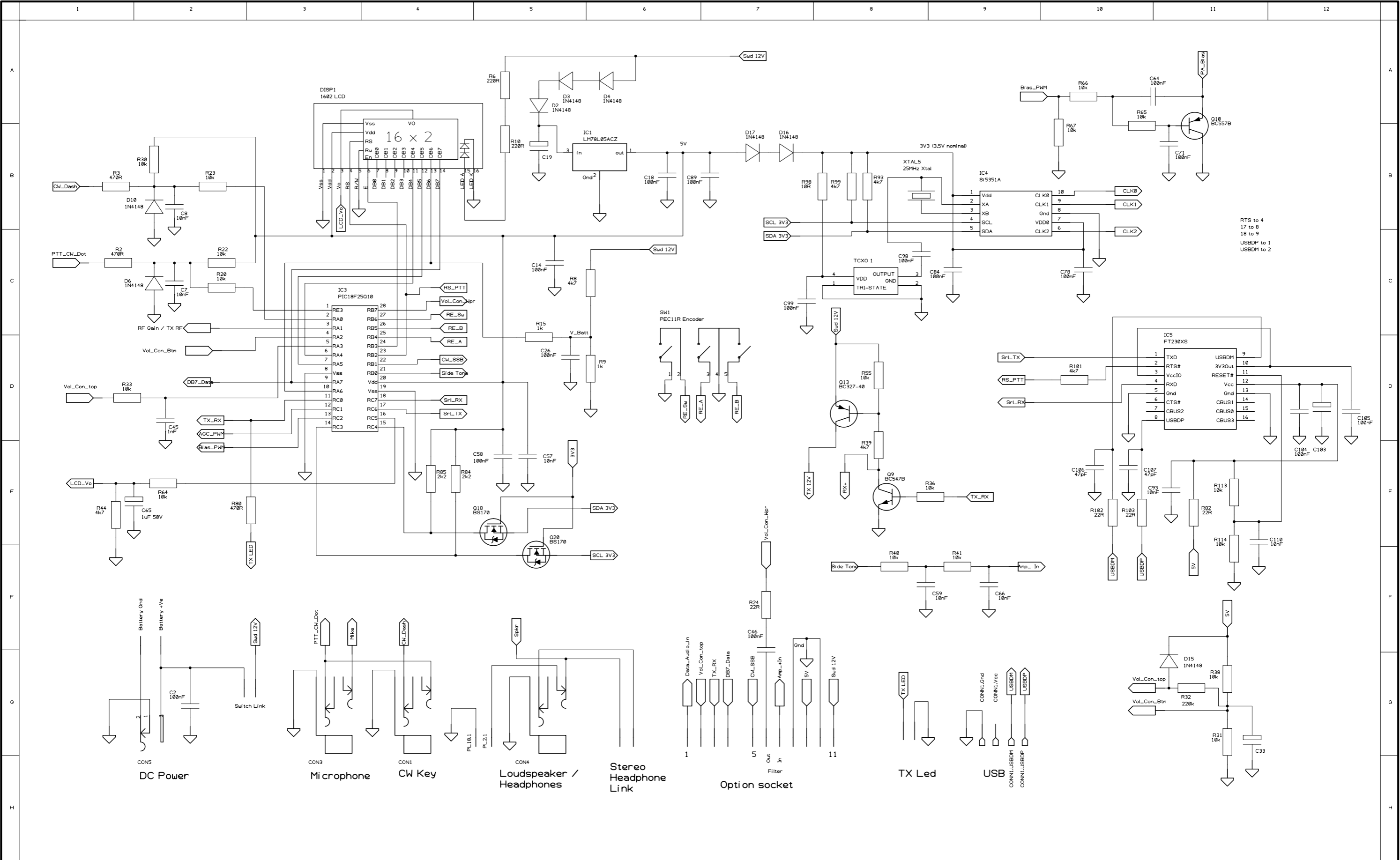
ISSUE HISTORY	DCP No.	DATE	DRAWN	BRIEF DESCRIPTION OF CHANGE DENOTED BY:

CHECKED	
APPROVED	

Document Number:	
TOLERANCES GENERAL= ±0.1 ANGULAR= ±1°	

DIMENSIONS mm	PAGE TITLE Page 2
PLOT SCALE	FILE DETAILS Current Variant or Master Design: File Path & Name: Last Saved: 22/10/2023
ORIGINAL SHT SIZE A3	Author: Steve

TITLE RK Explorer 80M version	DRG. No.
	Page 2



RTS to 4
17 to 8
18 to 9
USBDP to 1
USBDM to 2

DC Power

Microphone

CW Key

Loudspeaker / Headphones

Stereo Headphone Link

Option socket

TX Led

USB

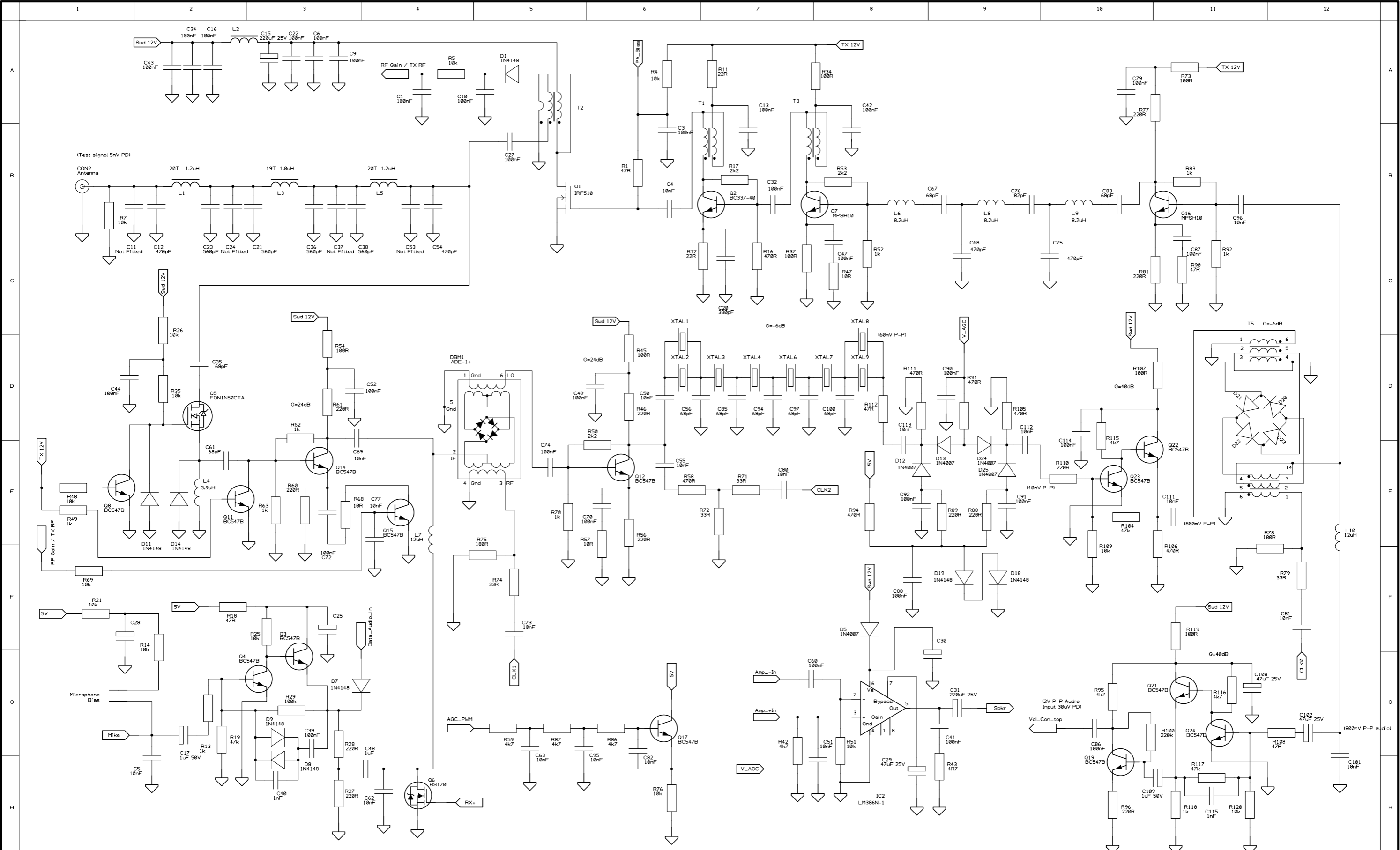
ISSUE HISTORY	DCP No	DATE	DRAWN	BRIEF DESCRIPTION OF CHANGE DENOTED BY:

CHECKED	
APPROVED	
Document Number:	
DO NOT SCALE DRAWING. IF IN DOUBT ASK.	

TOLERANCES	
GENERAL= ±0.1	
ANGULAR= ±1°	

DIMENSIONS	
mm	
PAGE TITLE	Page1
PLOT SCALE	FILE DETAILS Current Variant or Master Design: File Path & Name: Last Saved: 22/10/2023
ORIGINAL SHT SIZE A3	Author: Steve

TITLE	RK Explorer Minor 40M version
DRG. No.	



ISSUE HISTORY	DCP No.	DATE	DRAWN	BRIEF DESCRIPTION OF CHANGE DENOTED BY:

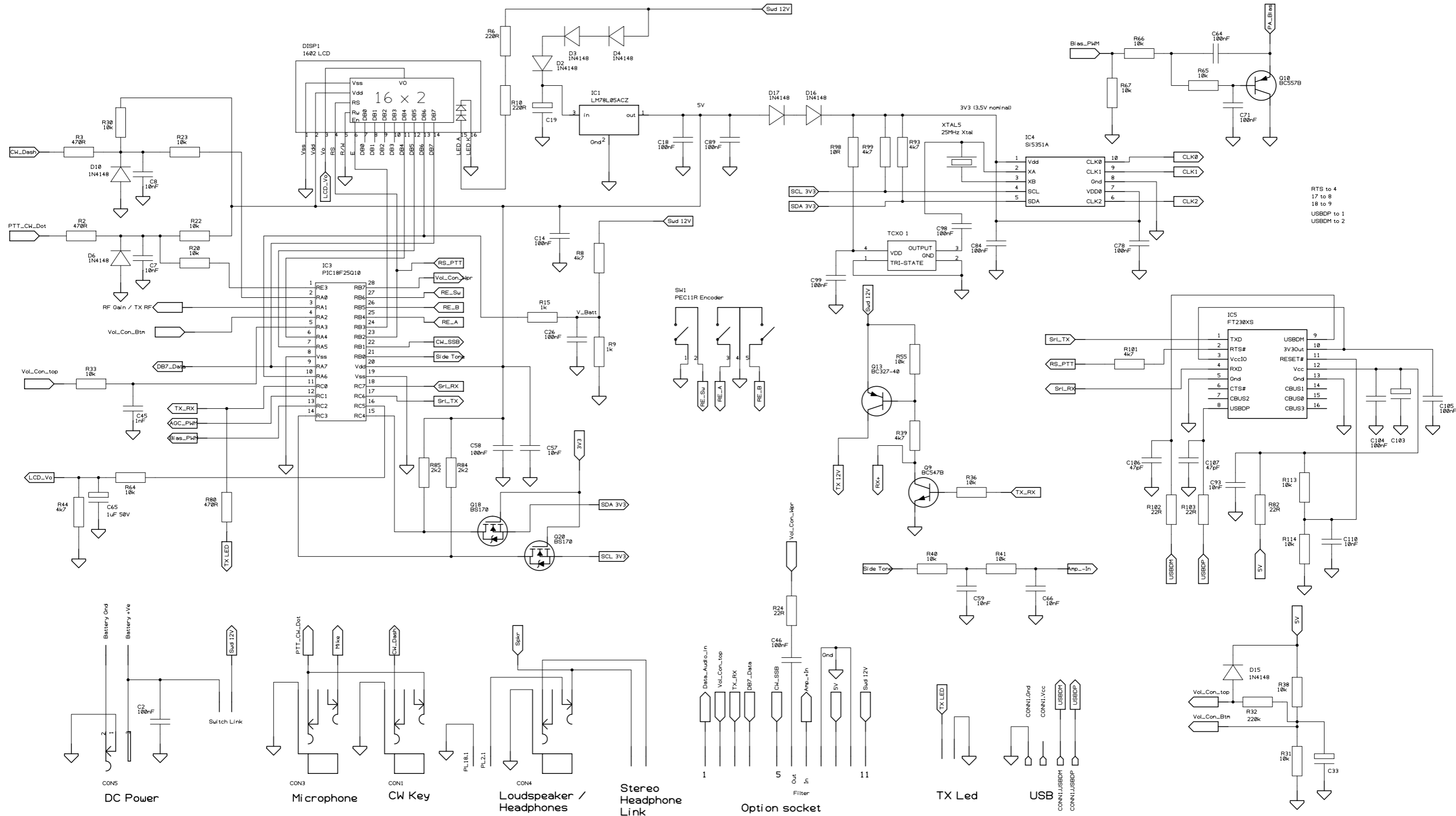
CHECKED	
APPROVED	

Document Number:

DO NOT SCALE DRAWING. IF IN DOUBT ASK.

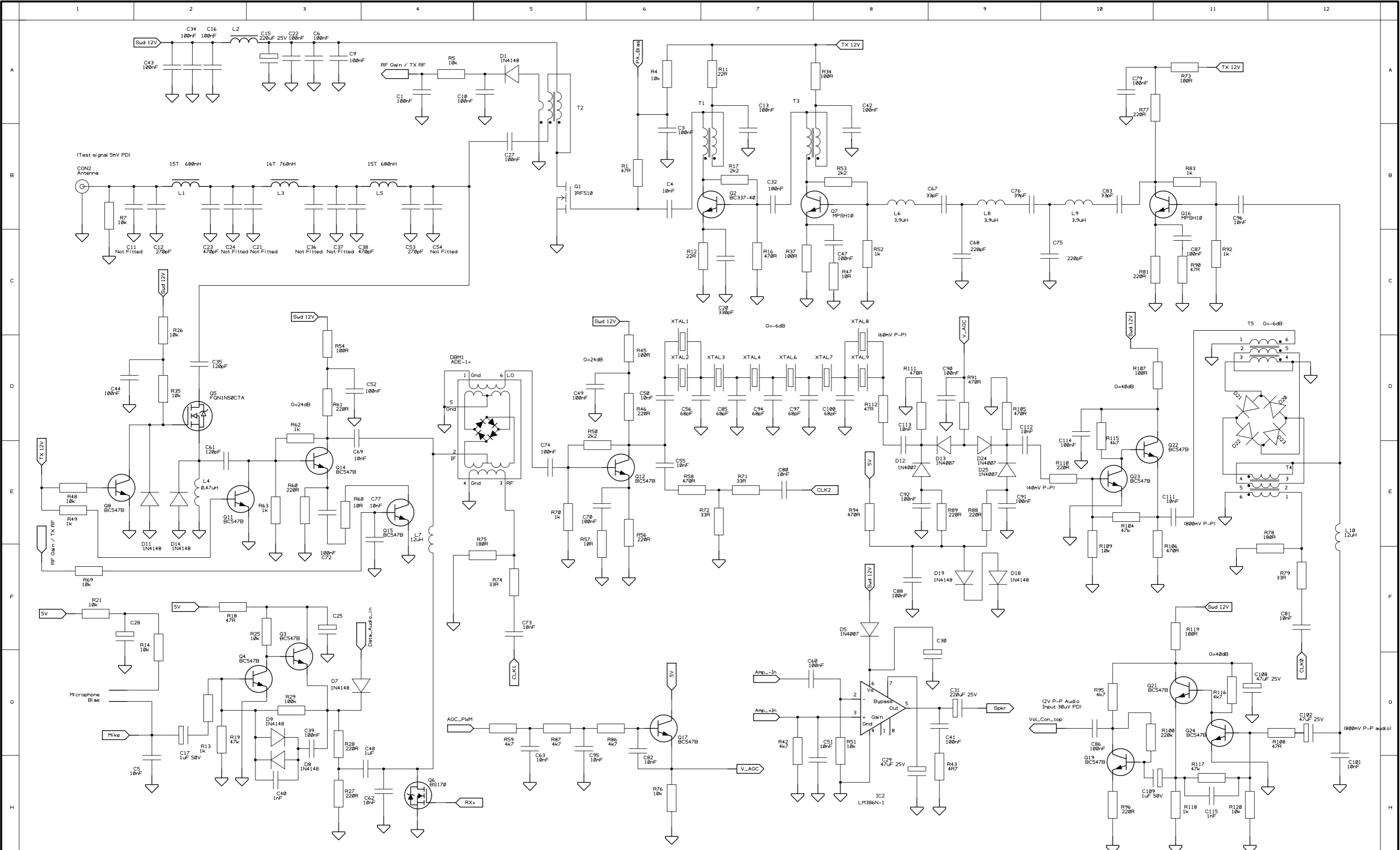
DIMENSIONS	PAGE TITLE
mm	Page 2
PLOT SCALE	FILE DETAILS
	Current Variant or Master Design:
	File Path & Name:
	Last Saved: 22/10/2023
ORIGINAL SHT SIZE A3	Author:
	Steve

TITLE	RK Explorer 40M version
DRG. No.	



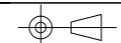
RTS to 4
17 to 8
18 to 9
USBDM to 1
USBDM to 2

CHECKED		DIMENSIONS		PAGE TITLE	
APPROVED		mm		Page 1	
Document Number:		PLOT SCALE		FILE DETAILS Current Variant or Master Design: File Path & Name: Last Saved: 22/10/2023	
DO NOT SCALE DRAWING. IF IN DOUBT ASK.		ORIGINAL SHT SIZE A3		TITLE RK Explorer Minor 20M version	
ISSUE HISTORY		TOLERANCES GENERAL= ±0.1 ANGULAR= ±1°		Author: Steve	
DCP No	DATE	DRAWN	BRIEF DESCRIPTION OF CHANGE DENOTED BY:	DRG. No.	Page 1



				CHECKED			DIMENSIONS	PAGE TITLE
				APPROVED			mm	Page 2
						PLOT SCALE	FILE DETAILS	TITLE
						Current Variant or Master Design:		RK Explorer 20M version
						File Path & Name:		
						Last Saved: 22/10/2023		
						Author:		DRG. No.
						Steve		
ISSUE HISTORY	DCP No.	DATE	DRAWN	BRIEF DESCRIPTION OF CHANGE DENOTED BY:		DO NOT SCALE DRAWING. IF IN DOUBT ASK.		Page 2

Document Number:



TOLERANCES
GENERAL= ±0.1
ANGULAR= ±1°

ORIGINAL
SHT SIZE A3