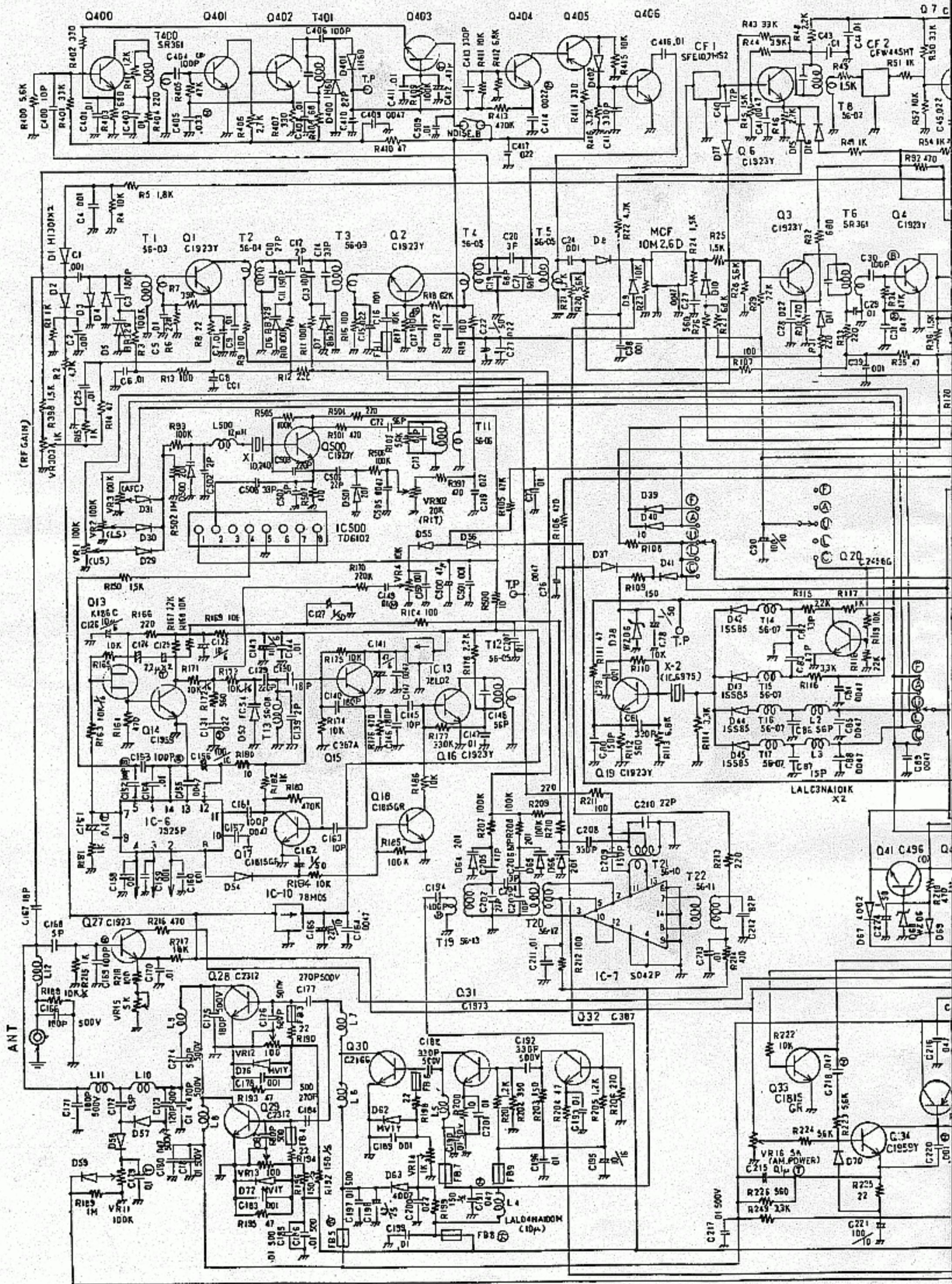
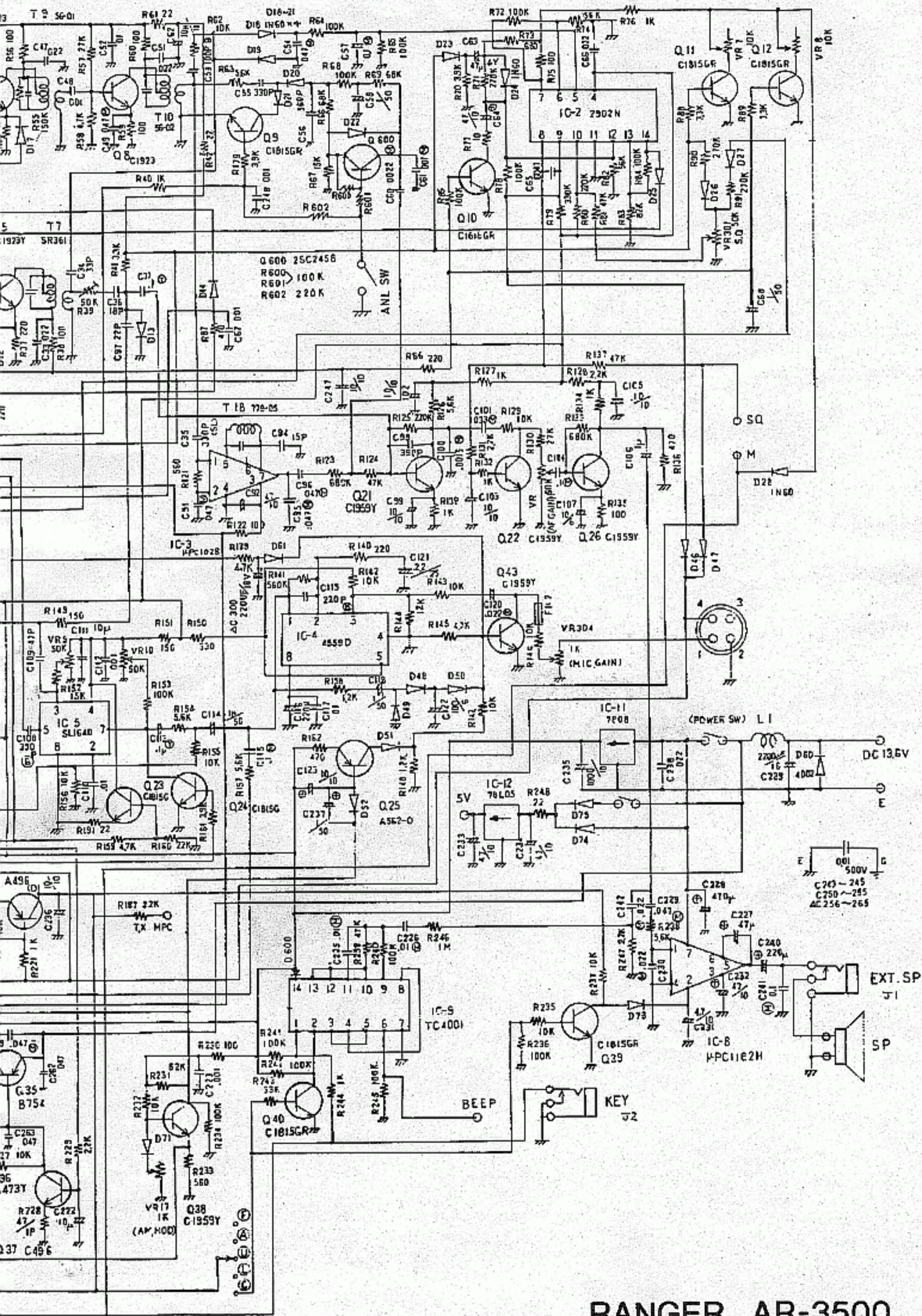


SCHEMATIC



DIAGRAM



RANGER AR-3500