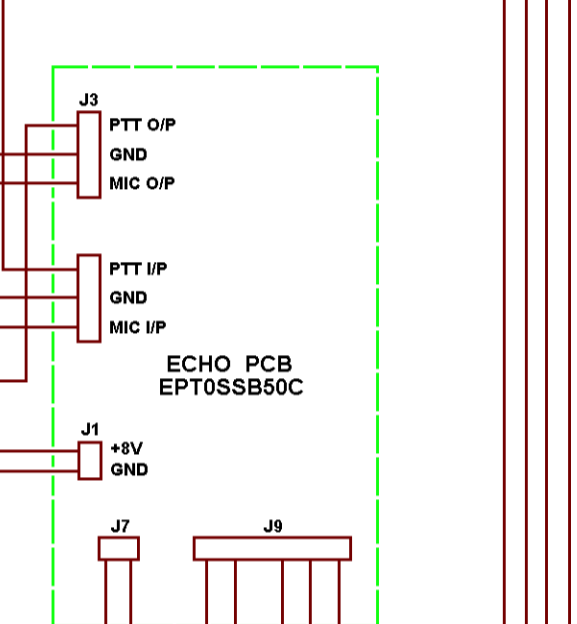
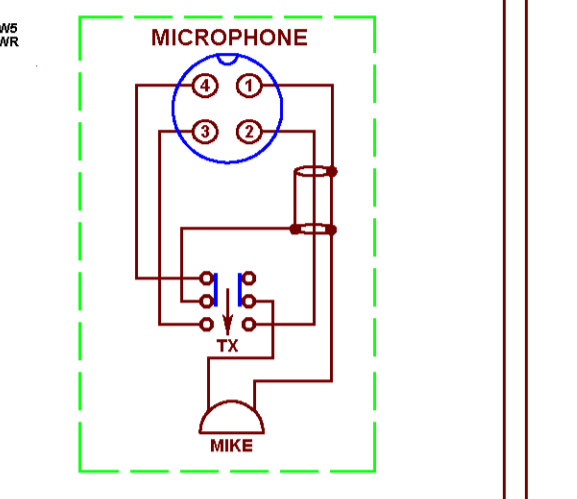
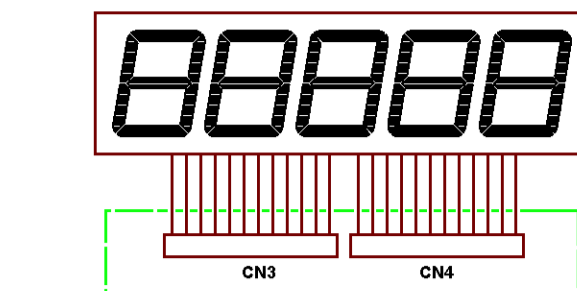
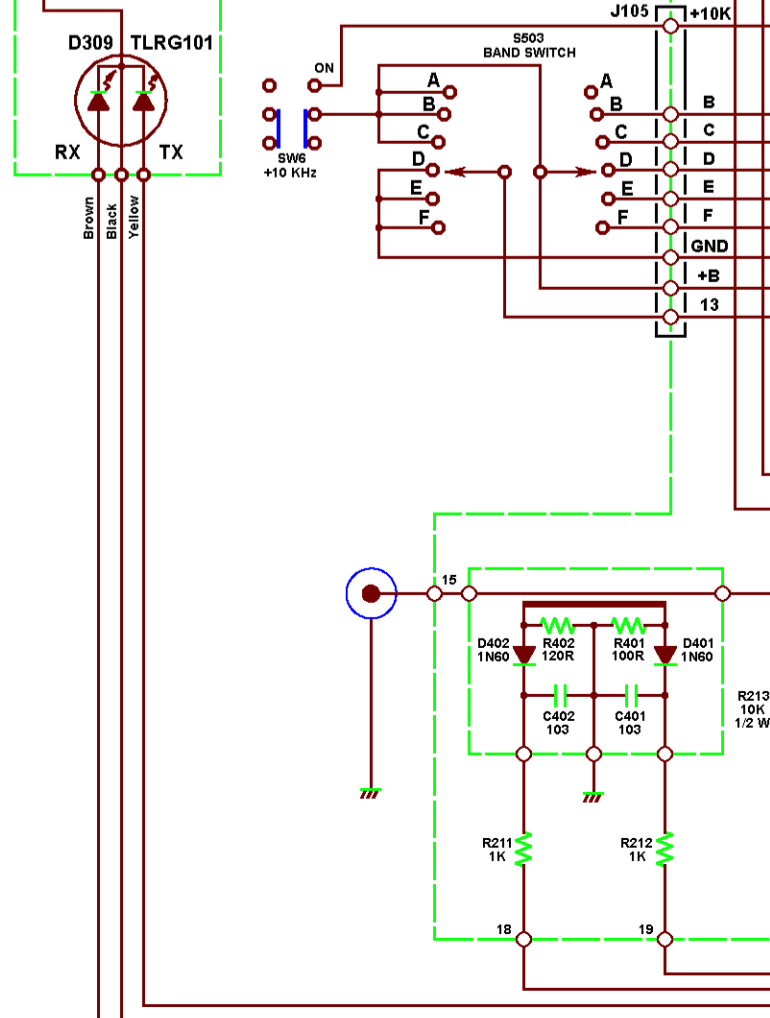
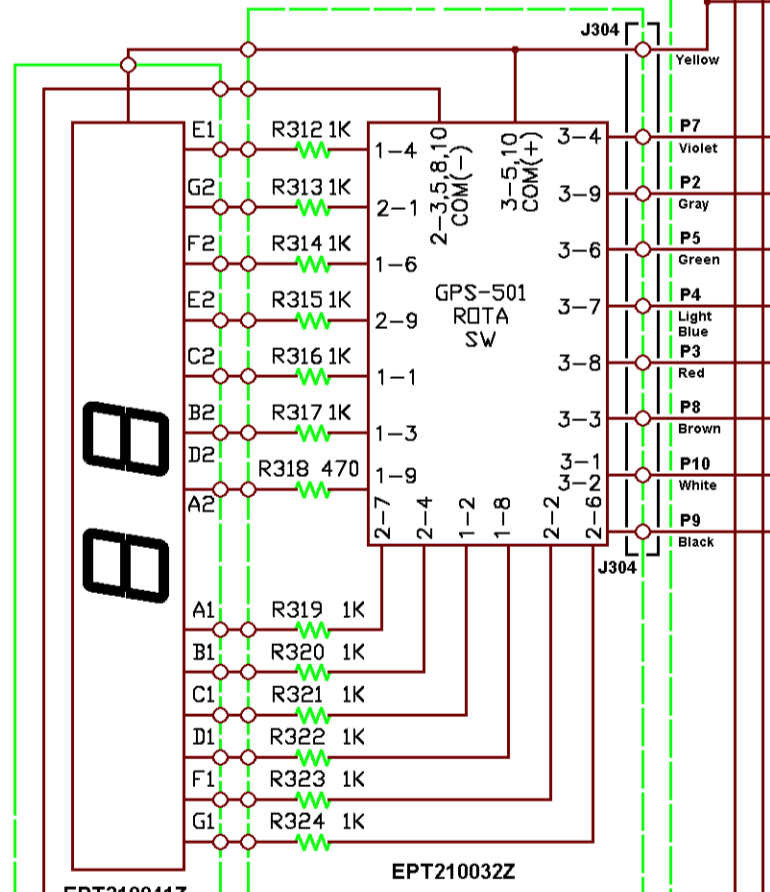


Downloaded by
RadioManual.EU



NOTE:
If you find any errors or omissions, please let know the value of the component and/or circuit reference. Please E-Mail me and I will correct them.