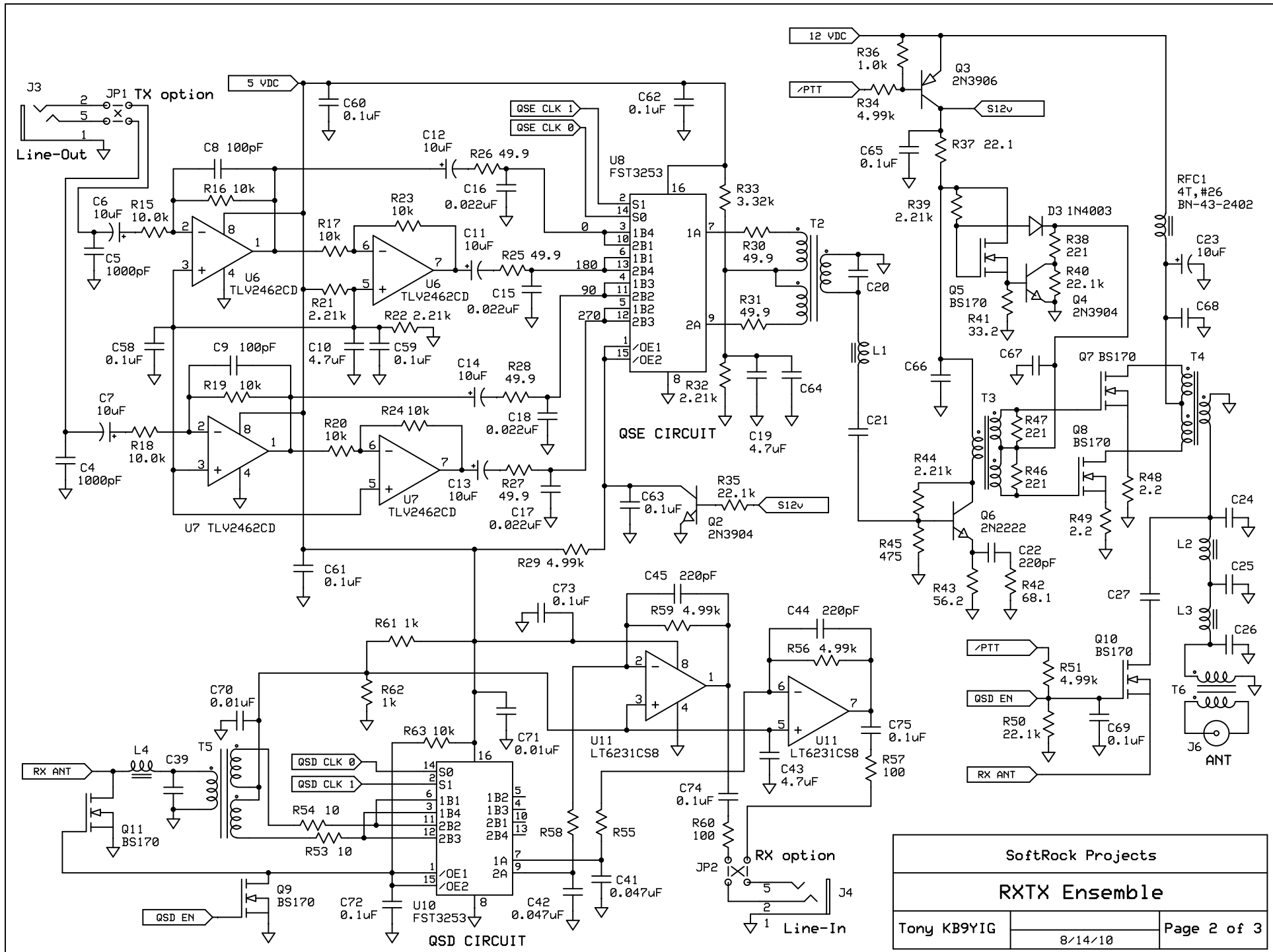


Paddles



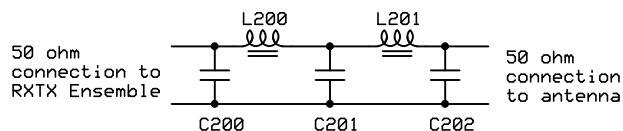
Band specific values

Bands	T2	T3	T4	L1
160m	primaries 20T bifilar #30 (2x12 in.) secondary 7.1uH 40T #30 (22 in.) T30-2 (red) core	primary 6T of #30 (10 in.) secondaries 3T bifilar of #30 (2x5 in.) BN-43-2402 core	primaries 4T bifilar of #30 (2x6 in.) secondary 5T of #30 (9 in.) BN-43-2402 core	30uH 83T #30 (44 in.) T30-2(red) core
80m, 40m	primaries 17T bifilar #30 (2x9.5 in.) secondary 5.0uH 34T #30 (19 in.) T30-2 (red) core	primary 6T of #30 (10 in.) secondaries 3T bifilar of #30 (2x5 in.) BN-43-2402 core	primaries 4T bifilar of #30 (2x6 in.) secondary 5T of #30 (9 in.) BN-43-2402 core	4.7uH 33T #30 (19 in.) T30-2(red) core
40m, 30m, 20m	primaries 13T bifilar #30 (2x9 in.) secondary 2.43uH 26T #30 (15 in.) T30-6 (yellow) core	primary 6T of #30 (10 in.) secondaries 3T bifilar of #30 (2x5 in.) BN-61-2402 core	primaries 3T bifilar of #30 (2x6 in.) secondary 5T of #30 (9 in.) BN-61-2402 core	2.3uH 25T #30 (15 in.) T30-6 (yellow) core
30m, 20m, 17m	primaries 11T bifilar #30 (2x8 in.) secondary 1.74uH 22T #30 (14 in.) T30-6 (yellow) core	primary 6T of #30 (10 in.) secondaries 3T bifilar of #30 (2x5 in.) BN-61-2402 core	primaries 3T bifilar of #30 (2x6 in.) secondary 5T of #30 (9 in.) BN-61-2402 core	1.6uH 21T #30 (14 in.) T30-6 (yellow) core
15m, 12m, 10m	primaries 8T bifilar #30 (2x6 in.) secondary 0.81uH 15T #30 (11 in.) T30-6 (yellow) core	primary 5T of #30 (10 in.) secondaries 3T bifilar of #30 (2x5 in.) BN-61-2402 core	primaries 3T bifilar of #30 (2x6 in.) secondary 5T of #30 (9 in.) BN-61-2402 core	2.1uH 24T #30 (15 in.) T30-6 (yellow) core

Bands	L2 and L3	C20	C21	C24, C26	C25	R42	C64, C66, C67, C68
160m	3.4uH 29T #26 (18 in.) T37-2(red) core	1000pF	270pF	2200pF	4700pF	omit	0.1uF size 1206
80m, 40m	1.4uH 19T #26 (13 in.) T37-2(red) core	220pF	220pF	470pF	820pF	omit	0.1uF size 1206
40m, 30m, 20m	0.8uH 16T #26 (11 in.) T37-6 (yellow) core	100pF	100pF	220pF	470pF	omit	0.1uF size 1206
30m, 20m, 17m	0.6uH 14T #26 (10 in.) T37-6 (yellow) core	82pF	82pF	150pF	330pF	use	0.1uF size 1206
15m, 12m, 10m	0.36uH 11T #26 (9 in.) T37-6 (yellow) core	47pF	22pF	100pF	180pF	use	0.01uF size 1206

Bands	C27	C39	L4	T5	T6	R55, R58
160m	390pF	5600pF	18.7uH, T30-2(red) core 66T #30 (35 in.)	1.4uH(primary), T30-2(red) core 18T #30 (12 in.) on primary 9T #30 (2x7 in.) on bifilar secondary	4T #30 (2x6 in.) bifilar BN-43-2402 core	49.9 ohm
80m, 40m	560pF	680pF	1.6uH, T25-2(red) core 22T #30 (11 in.)	1.2uH(primary), T25-2(red) core 18T #30 (11 in.) on primary 9T #30 (2x6 in.) on bifilar secondary	4T #30 (2x6 in.) bifilar BN-43-2402 core	49.9 ohm
40m, 30m, 20m	330pF	470pF	0.9uH, T25-6(yellow) core 18T #30 (10 in.)	0.69uH(primary), T25-6(yellow) core 16T #30 (9 in.) on primary 8T #30 (2x7 in.) on bifilar secondary	4T #30 (2x6 in.) bifilar BN-61-2402 core	10.0 ohm
30m, 20m, 17m	180pF	220pF	0.78uH, T25-6(yellow) core 17T #30 (9 in.)	0.6uH(primary), T25-6(yellow) core 14T #30 (8 in.) on primary 7T #30 (2x6 in.) on bifilar secondary	4T #30 (2x6 in.) bifilar BN-61-2402 core	10.0 ohm
15m, 12m, 10m	82pF	330pF	0.53uH, T25-6(yellow) core 14T #30 (8 in.)	0.13uH(primary), T25-6(yellow) core 7T #30 (6 in.) on primary 4T #30 (2x 5 in.) on bifilar secondary	4T #30 (2x6 in.) bifilar BN-61-2402 core	10.0 ohm

External 80m, 40m and 30m LPF



Band	C200, C202	C201	L200, L201
80m	390pF	1000pF	2.5uH, 29T #26, (17in.) T37-6(yellow) core
40m	220pF	470pF	1.3uH, 18T #26, (12in.) T37-2(red) core
30m	100pF	330pF	0.9uH, 15T #26, (10in.) T37-2(red) core

SoftRock Projects	
RXTX Ensemble	
Tony KB9YIG	Page 3 of 3
8/14/10	