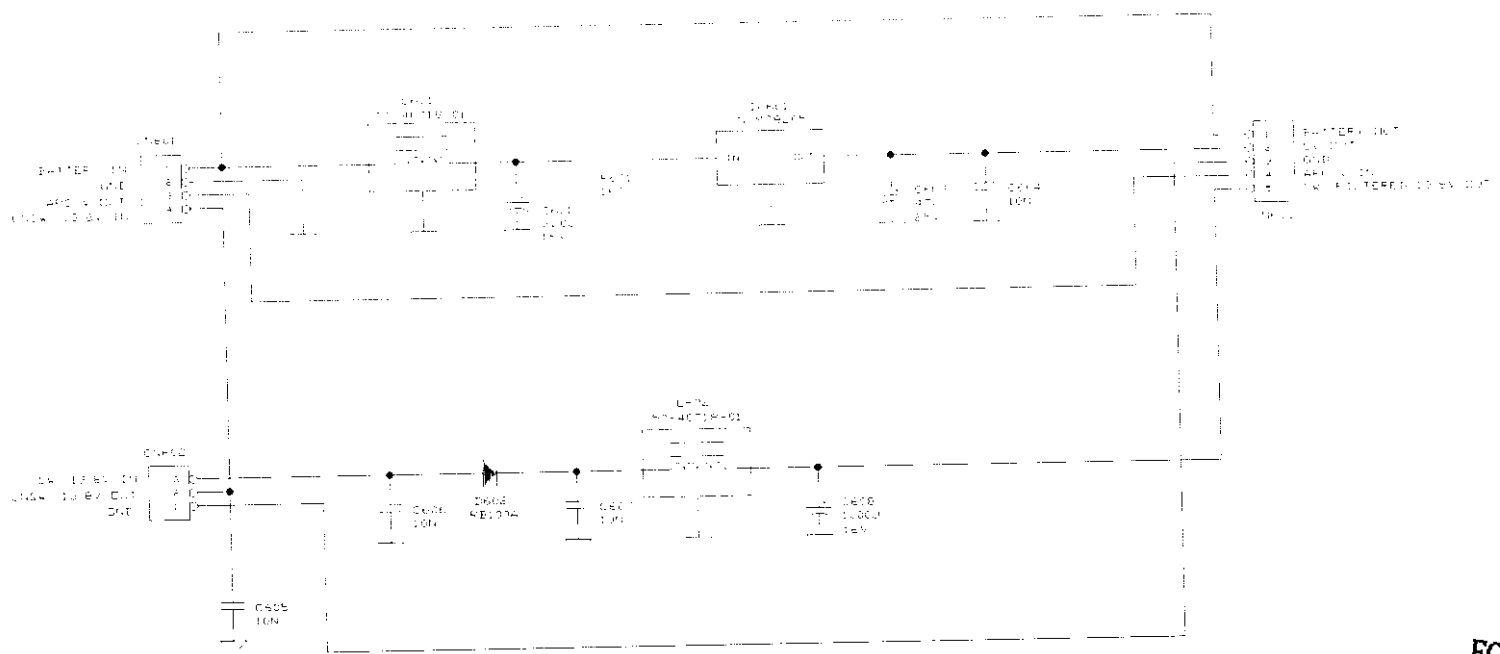


FCC ID: H7CM-10A



TAD RADIO OF CANADA INC			
Title	M-10 TX POWER AMPLIFIER		
Size	Document Number	055.141.01	REV C
Date:	SEPTEMBER 29, 1998	Sheet	1 of 1

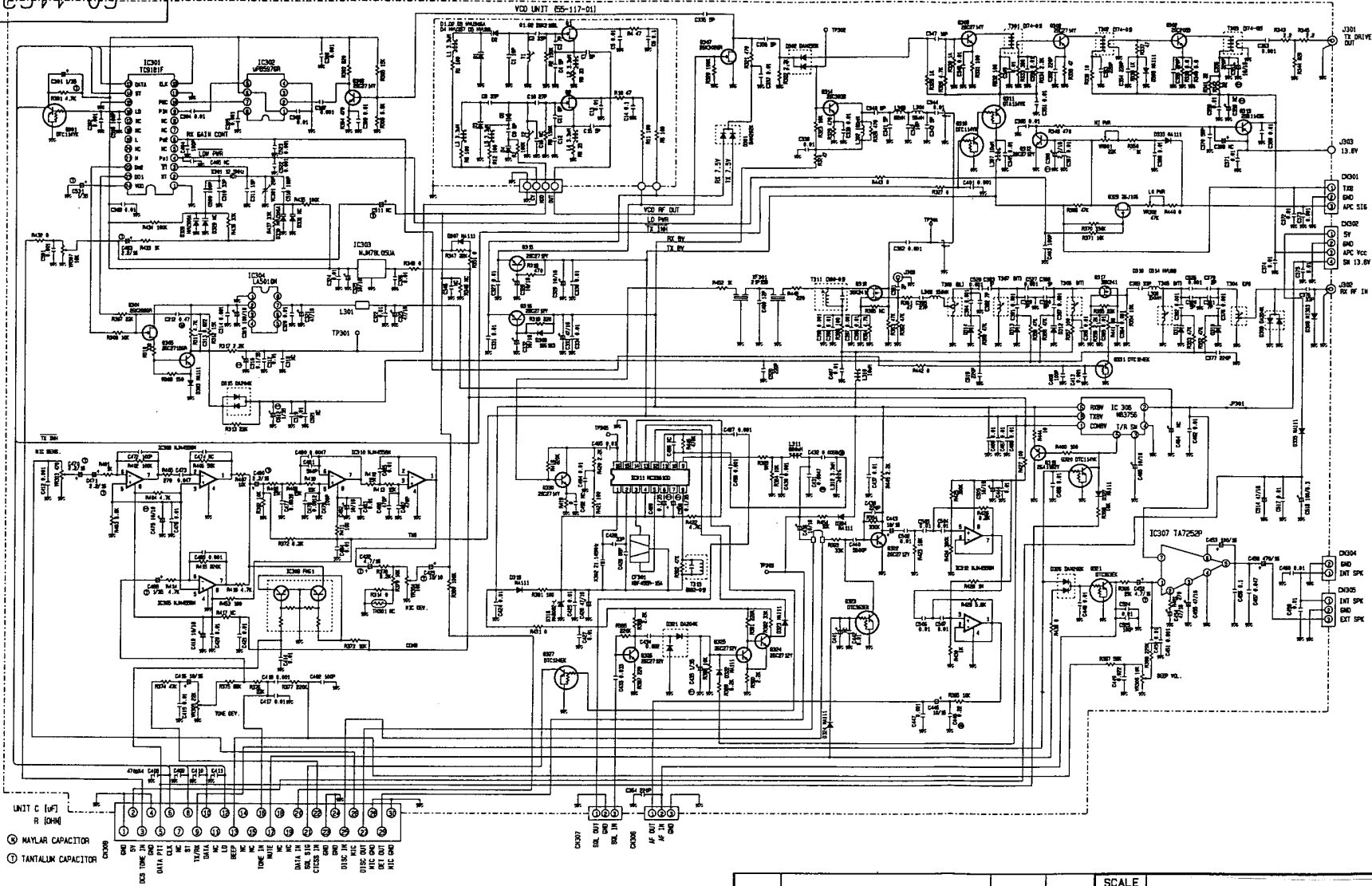


FCC ID: H7CM-10A



TAD RADIO OF CANADA INC			
Title	M-10 FILTER PCB		
Size	Document Number	055.250.01	REV B
Date:	JUNE 30, 1998	Sheet	1 of 1

60-11631



- ⊗ MYLAR CAPACITOR
- ⊙ TANTALUM CAPACITOR

UNIT C (U/F)
R 124M

DATA IN
DATA OUT
TIME IN
TIME OUT
REF IN
REF OUT

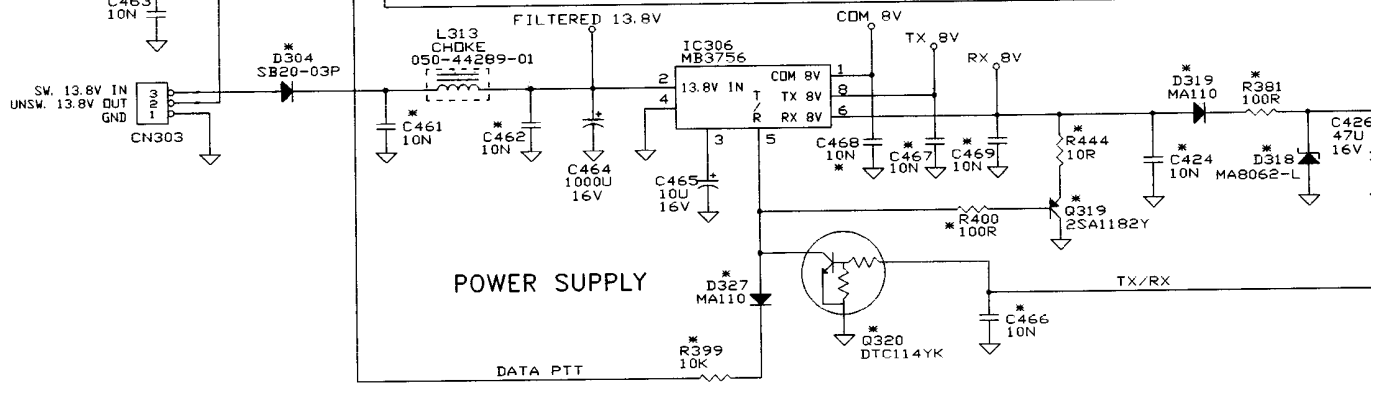
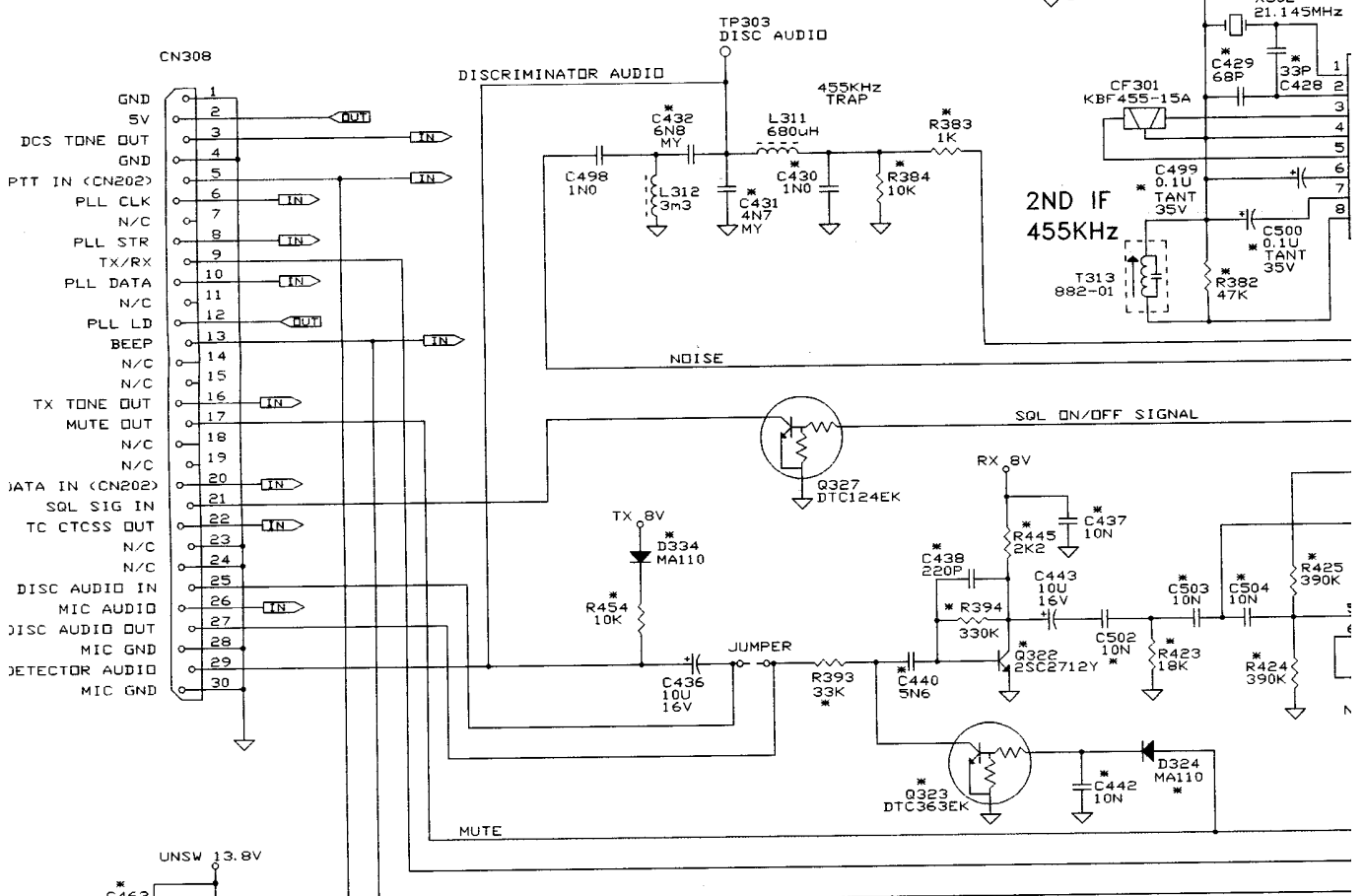
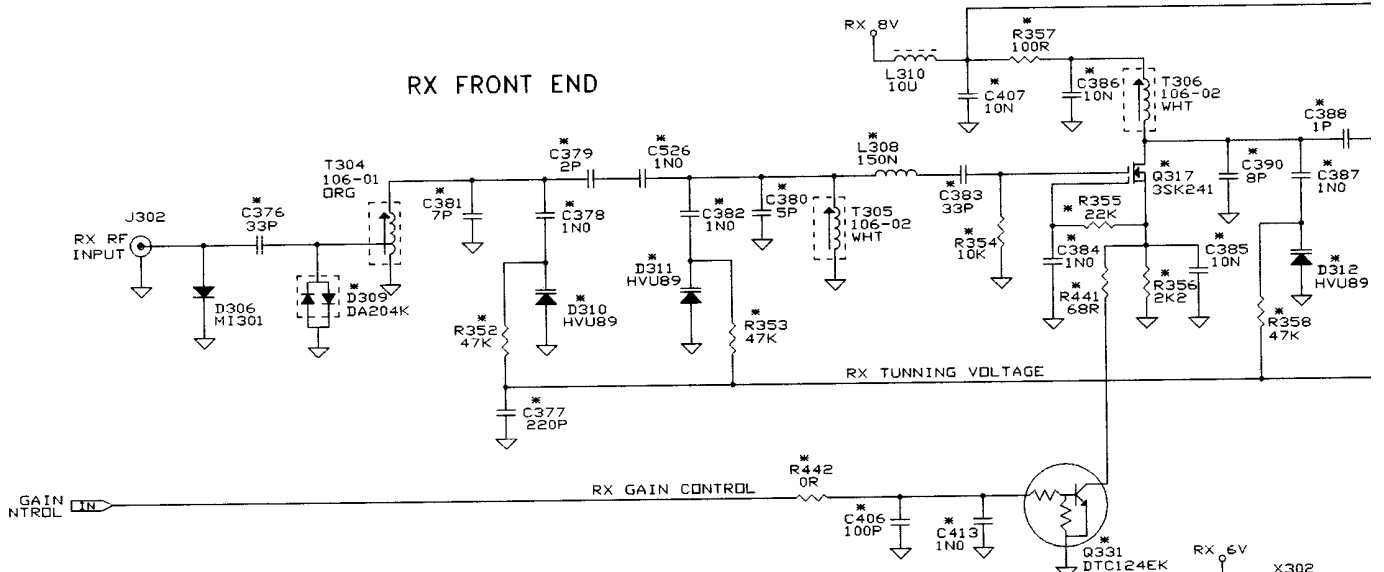
PCC ID: H7CM-10A

					SCALE	TAD RADIO OF CANADA INC	
					.5/1	TITLE	
SYMBOL	REVISION RECORD			DATE	BY	DRAWING NO.	
DRAWN	CHECKED	CHECKED	APPROVED	MATERIAL	ANGLE	60-11631	
					UNIT		
					3rd		
					mm		
					USED ON		
					FINISH		

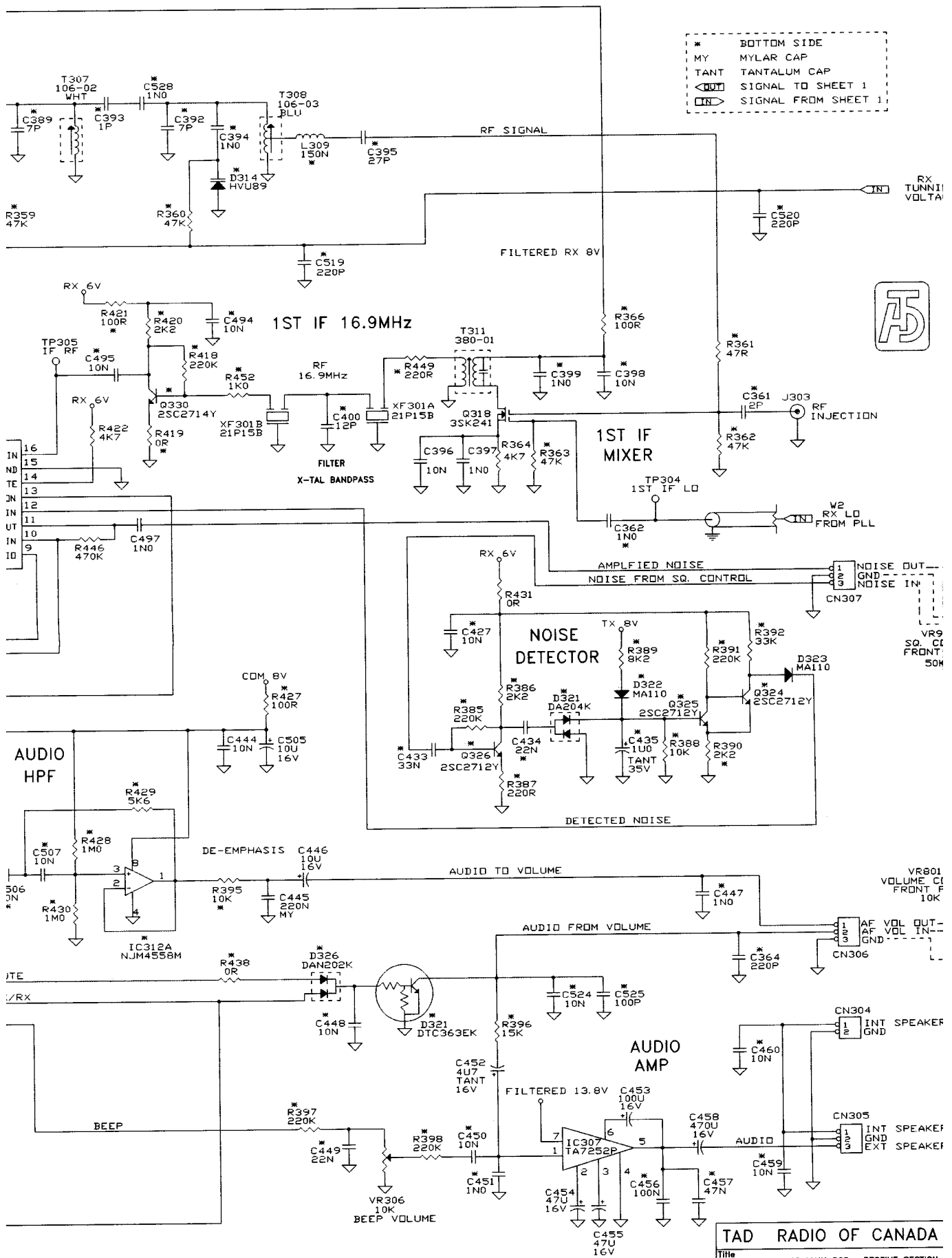
S11631
17 Sep 1998

SCHEM LAYER 0

RX FRONT END



- CN308**
- 1 GND
 - 2 SV
 - 3 DCS TONE OUT
 - 4 GND
 - 5 PTT IN (CN202)
 - 6 PLL CLK
 - 7 N/C
 - 8 PLL STR
 - 9 TX/RX
 - 10 PLL DATA
 - 11 N/C
 - 12 PLL LD
 - 13 BEEP
 - 14 N/C
 - 15 N/C
 - 16 TX TONE OUT
 - 17 MUTE OUT
 - 18 N/C
 - 19 N/C
 - 20 DATA IN (CN202)
 - 21 SQL SIG IN
 - 22 TC CTCSS OUT
 - 23 N/C
 - 24 N/C
 - 25 DISC AUDIO IN
 - 26 MIC AUDIO
 - 27 DISC AUDIO OUT
 - 28 MIC GND
 - 29 DETECTOR AUDIO
 - 30 MIC GND



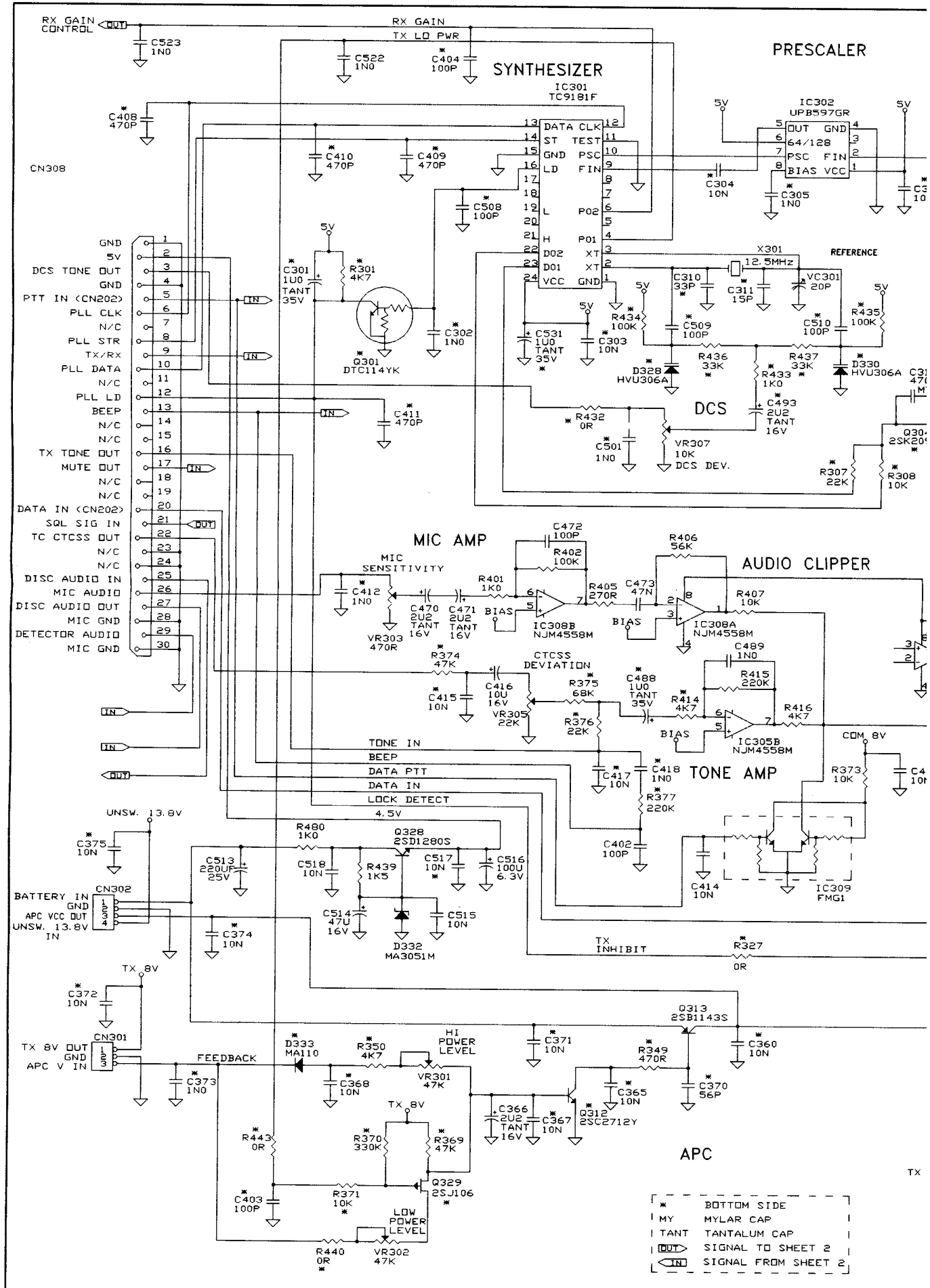
* BOTTOM SIDE
 MY MYLAR CAP
 TANT TANTALUM CAP
 [OUT] SIGNAL TO SHEET 1
 [IN] SIGNAL FROM SHEET 1



TAD RADIO OF CANADA

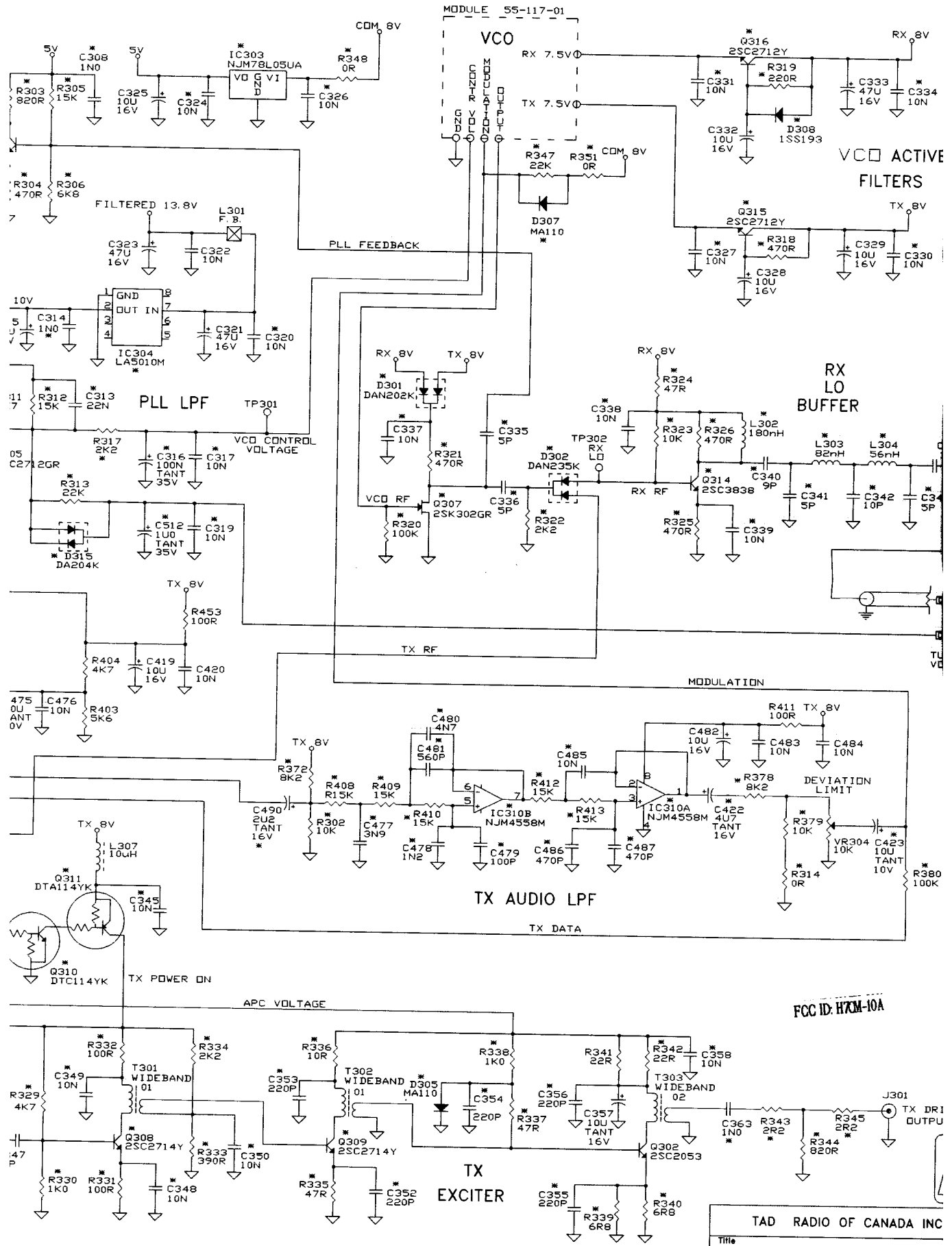
Title		M-10 MAIN PCB, RECEIVE SECTION	
Size	Document Number	055.116.01	
Date:	March 16, 1998	Sheet	2

FCC ID: H7CM-10A



- * BOTTOM SIDE
- MY MYLAR CAP
- TANT TANTALUM CAP
- OUT SIGNAL TO SHEET 2
- IN SIGNAL FROM SHEET 2

TX



FCC ID: H7KM-10A

TAD RADIO OF CANADA INC	
Title	M10 MAIN PCB, PLL & TX EXCITOR
Size	Document Number 055.116.01
Date:	March 6, 1998 Sheet 1

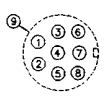
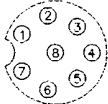
M-10 INTERCONNECT

- CN 201**
- 1 MIC AUDIO
 - 2 MIC GND
 - 3 MIC 13.8V
 - 4 DOWN
 - 5 UP
 - 6 HOOK
 - 7 PTT
 - 8 GND

- CN 202**
- 1 DATA IN
 - 2 SOL SIG OUT
 - 3 EXT. PTT
 - 4 DISC OUT
 - 5 MIC 13.8V
 - 6 CLN CLK
 - 7 CLN TX
 - 8 CLN RX
 - 9 GND

MIC
CN 201
VIEW FROM BACK

CLONING
CN 202
VIEW FROM BACK



- IN 2
- /C 4
- TT 6
- UT 8
- RX 10
- TX 12
- LK 14
- ND 16
- SY 18
- TA 20
- IN 22
- EY 24
- EY 26
- 2 28
- /C 30

- | | | | |
|-----------|----|----|----|
| DISC OUT | 1 | 30 | 29 |
| GND | 3 | 28 | 27 |
| MIC DN | 5 | 26 | 25 |
| MIC UP | 7 | 24 | 23 |
| HOOK | 9 | 22 | 21 |
| PTT | 11 | 20 | 19 |
| MIC AUDIO | 13 | 18 | 17 |
| MIC GND | 15 | 16 | 15 |
| DISP. C/D | 17 | 14 | 13 |
| DISP. CS | 19 | 12 | 11 |
| DISP. CLK | 21 | 10 | 9 |
| DISP. DIM | 23 | 8 | 7 |
| PRI KEY | 25 | 6 | 5 |
| SCAN KEY | 27 | 4 | 3 |
| ROTARY 1 | 29 | 2 | 1 |

- CN 204**
- | | | |
|----------|---|--------|
| SW 13.8V | ① | ORANGE |
| GND | ② | BLACK |
- CN 203**

DISPLAY PCB
(55-114-01)



- | | | |
|--------|---|---------------|
| BLACK | ⑦ | GND |
| BLUE | ⑥ | HORN OUT |
| BROWN | ⑤ | HORN IN |
| RED | ④ | SW. 13.8V |
| ORANGE | ③ | 1500 DET |
| YELLOW | ② | 600 DET |
| GREEN | ① | DISC AUD. OUT |

MTS PCB
CN 1
(55-128-01)

CN 104

- | | |
|---|---------------|
| ⑦ | GND |
| ⑥ | HORN OUT |
| ⑤ | HORN IN |
| ④ | SW. 13.8V |
| ③ | 1500 DET |
| ② | 600 DET |
| ① | DISC AUD. OUT |
- CN 105**
- | | |
|---|------------------|
| ⑫ | MIC HOOK |
| ⑪ | PTT IN |
| ⑩ | PTT OUT |
| ⑨ | DISC IN |
| ⑧ | DISC OUT |
| ⑦ | TX AUD. TO FILT. |
| ⑥ | TX MIC AUD. IN |
| ⑤ | TX DCS |
| ④ | TX TONE |
| ③ | MUTE OUT |
| ② | SW. 13.8V |
| ① | GND |

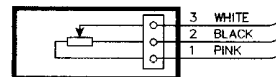
- | | |
|----|----|
| 30 | 29 |
| 28 | 27 |
| 26 | 25 |
| 24 | 23 |
| 22 | 21 |
| 20 | 19 |
| 18 | 17 |
| 16 | 15 |
| 14 | 13 |
| 12 | 11 |
| 10 | 9 |
| 8 | 7 |
| 6 | 5 |
| 4 | 3 |
| 2 | 1 |

CN 103

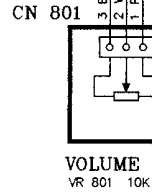
CONTROL PCB
(55-115-01)

- CN 101**
- | | | |
|-----------|---|-------|
| SW. 13.8V | ② | RED |
| GND | ① | BLACK |

CN 901



SQUELCH
VR 901 50K



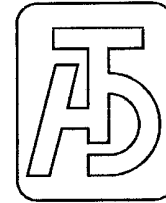
- | | | | |
|----|----|----|------------|
| 30 | 29 | 1 | GND |
| 28 | 27 | 3 | DCS TONE I |
| 26 | 25 | 5 | DATA PTT |
| 24 | 23 | 7 | N/C |
| 22 | 21 | 9 | TX/RX |
| 20 | 19 | 11 | N/C |
| 18 | 17 | 13 | BEEP |
| 16 | 15 | 15 | N/C |
| 14 | 13 | 17 | MUTE |
| 12 | 11 | 19 | N/C |
| 10 | 9 | 21 | SOL SIG |
| 8 | 7 | 23 | GND |
| 6 | 5 | 25 | DISC. AUD. |
| 4 | 3 | 27 | DISC. AUD. |
| 2 | 1 | 29 | DETECTOR (|

CN 308

- CN 306**
- | | | |
|-------|---|------------|
| BLACK | ③ | GND |
| WHITE | ② | AF VOL OUT |
| PINK | ① | AF VOL IN |

- CN 307**
- | | | |
|--------|---|---------|
| WHITE | ③ | SOL IN |
| BLACK | ② | GND |
| YELLOW | ① | SOL OUT |

WIRING DIAGRAM



TAD Radio of Canada Inc.

FEB. 02/98

FCC ID: H7CM-10A

