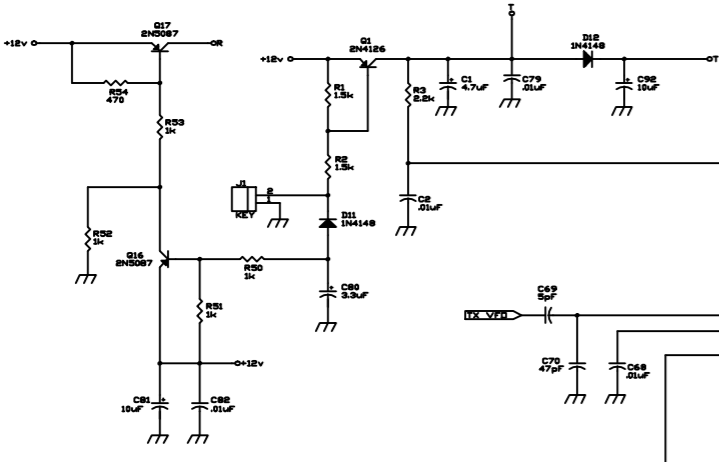
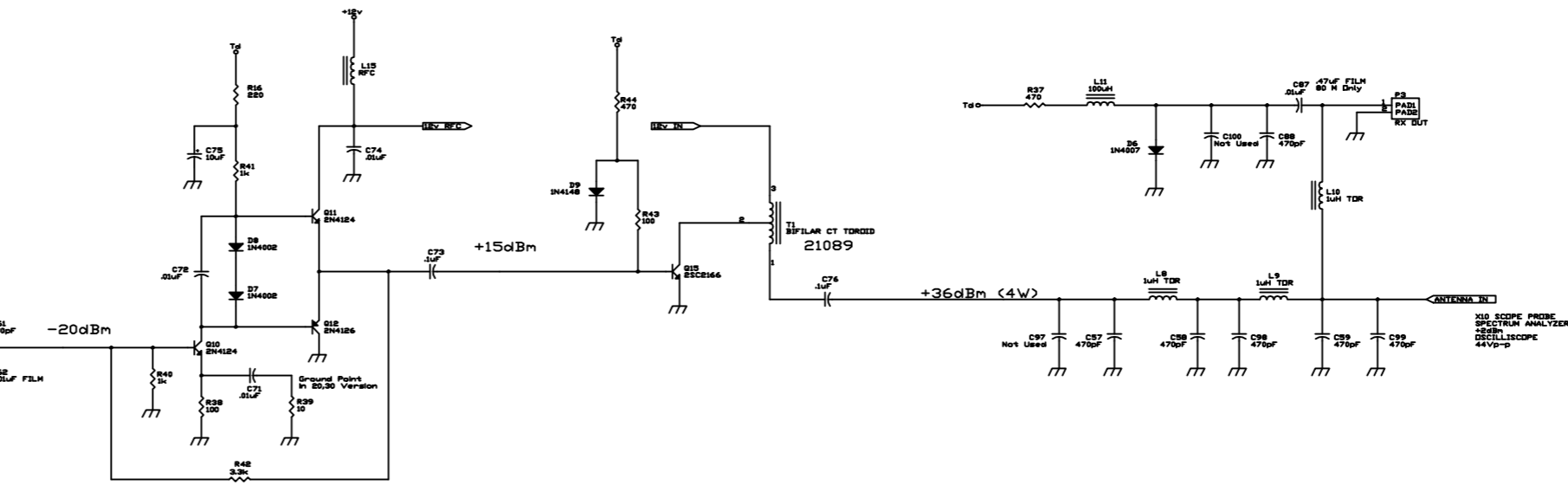


	Y6	C65	C66	C67	L14	C69
20Meters	6.144	18pF	33pF	91pF	5.8uH	10pF
30Meters	14.31818	47pF	68pF	56pF	1.3uH	5pF
40Meters	11	27pF	47pF	18pF	5.8uH	5pF
80Meters	8	22pF	39pF	47pF	5.8uH	3pF

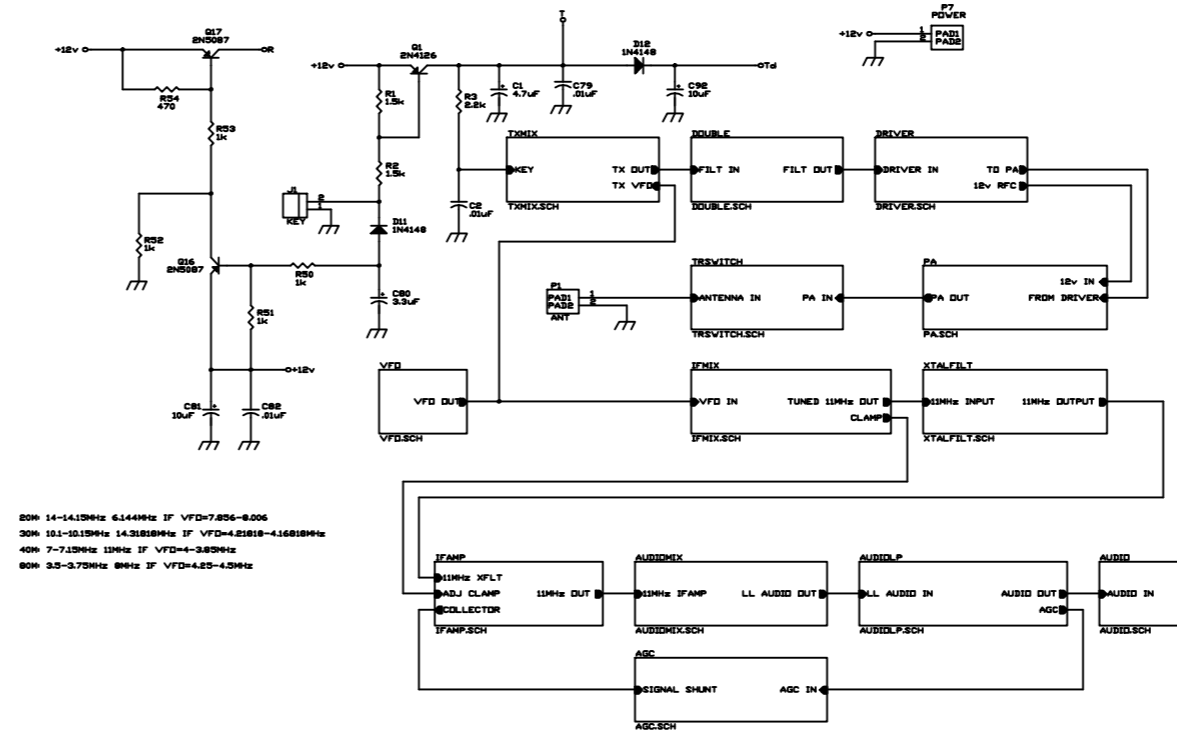
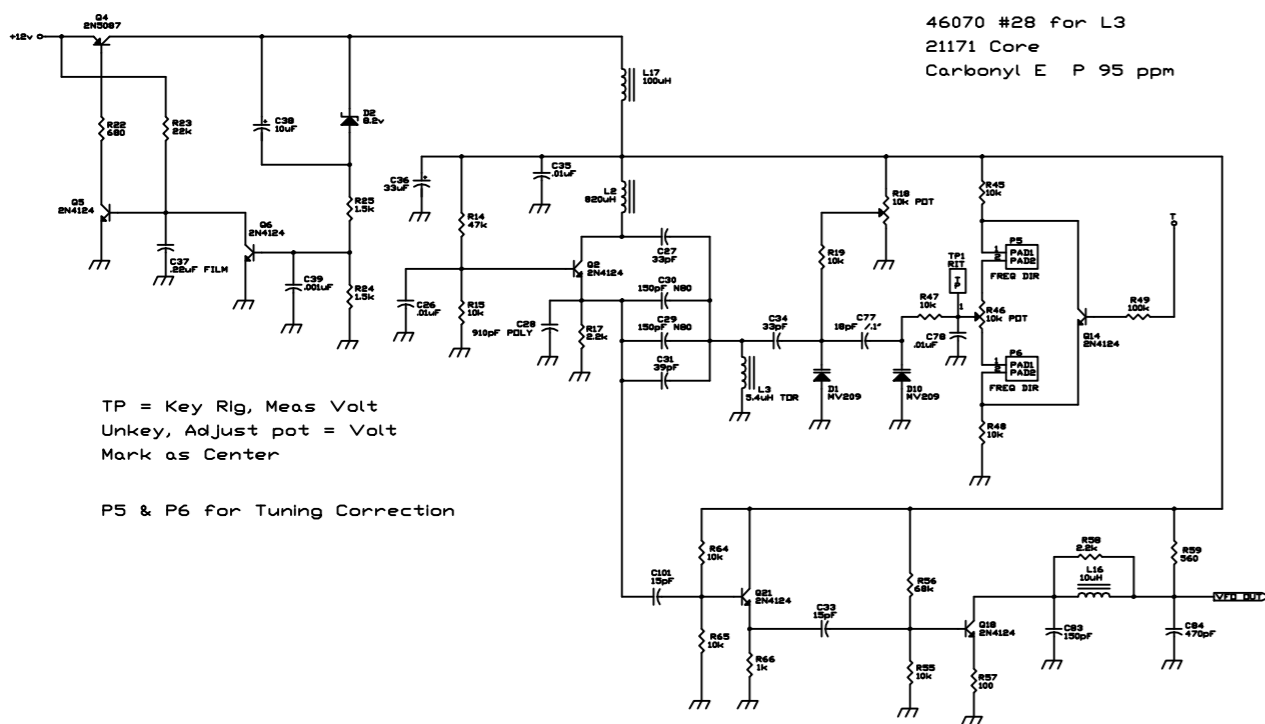


	C57 C97	C58 C98	C59 C99	C88 C100	L8	L9	L10
20Meters	220pF	470pF	470pF	220pF	.6uH	.6uH	.6uH
30Meters	330pF	680pF	680pF	330pF	.8uH	.8uH	.8uH
40Meters	470pF	470pF	470pF	470pF	1uH	1uH	1uH
80Meters	470pF	750pF	750pF	390pF	2.2uH	2.2uH	2.2uH
	390pF	910pF	910pF	470pF			18T

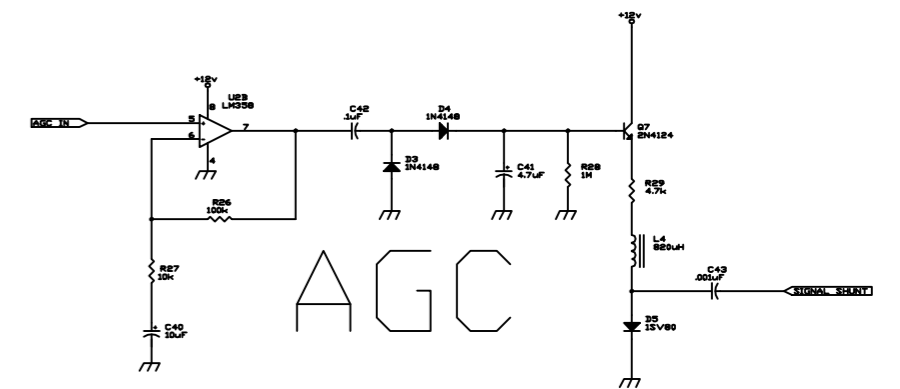
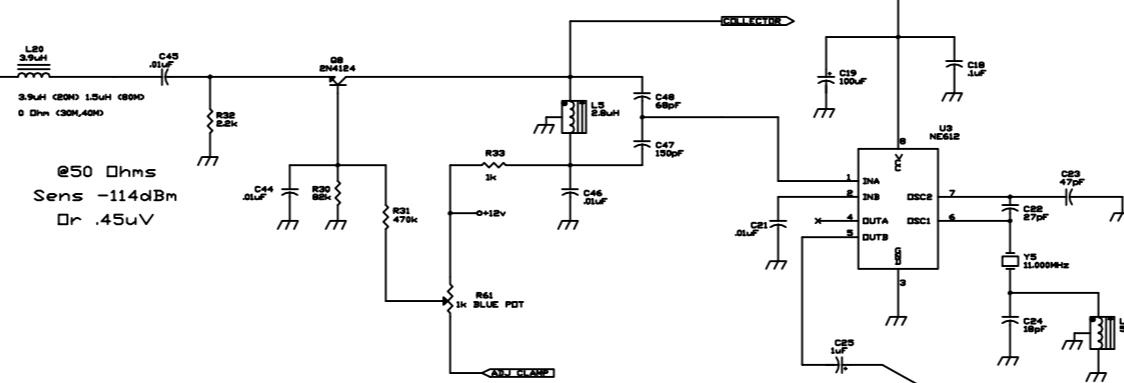
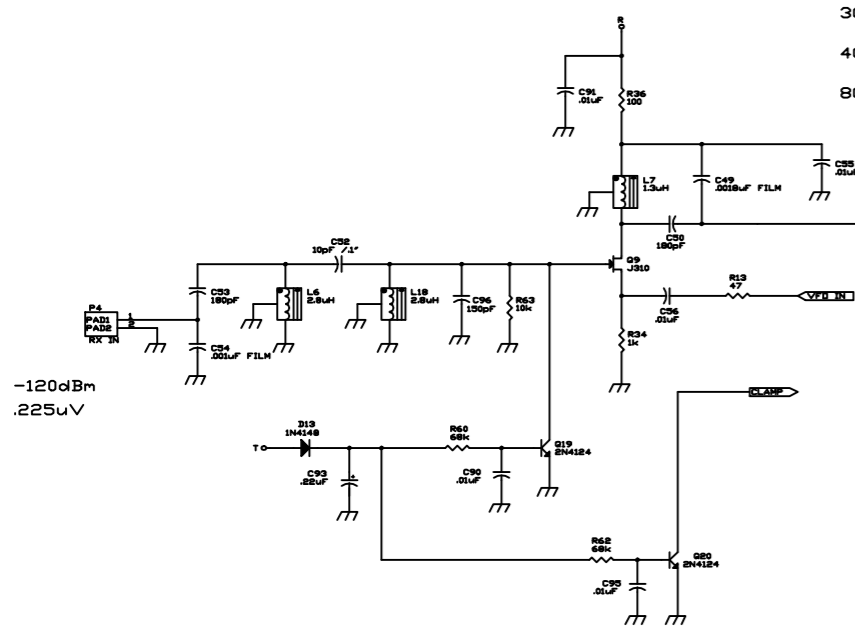
	C60	C61	C62	C63	C64	L12	L13
20Meters	100pF	120pF	560pF	3pF	5pF	1.3uH	1.3uH
30Meters	82pF	91pF	.001uF	3pF	10pF	2.8uH	2.8uH
40Meters	150pF	180pF	.001uF	10pF	22pF	2.8uH	2.8uH
80Meters	330pF	470pF	.0018uF	33pF	100pF	5.8uH	5.8uH



	C29	C30	C31	C34	C77	C83	C84	L3	L16
20Meters	150 N80	39 NP0	39 NP0	15pF	24pF	82pF	270pF	16T	4.7uH
30Meters	150 N80	150 N80	39 NP0	33pF	18pF	150pF	470pF	28T	10uH
40Meters	150 N80	150 N80	39 NP0	33pF	18pF	150pF	470pF	31T	10uH
80Meters	150 N80	150 NP0	39 NP0	33pF	24pF	82pF	180pF	28T	18uH



	Y1	Y2	Y3	Y4	C14	C15	C16	C17
20Meters	6.144	6.144	6.144	6.144	100pF	120pF	100pF	180pF
30Meters	14.31818	14.31818	14.31818	14.31818	220pF	270pF	220pF	68pF
40Meters	11	11	11	11	470pF	560pF	470pF	360pF
80Meters	8	8	8	8	220pF	270pF	220pF	270pF



	C49	C50	C52	C53	C54	C96	L6	L7	L18
20Meters	910pF	330pF	2pF	47pF	470pF	33pF	2.8uH	2.8uH	2.8uH
30Meters	750pF	120pF	3pF	91pF	82pF	2.8uH	1.3uH	2.8uH	
40Meters	.0018uF	180pF	10pF	180pF	.001uF	150pF	2.8uH	1.3uH	2.8uH
80Meters	.0027uF	390pF	33pF	470pF	.0022uF	390pF	5.8uH	1.3uH	5.8uH

	C47	C48	L5
20Meters	360pF	180pF	5.8uH
30Meters	33pF	15pF	5.8uH
40Meters	150pF	68pF	2.8uH
80Meters	470pF	180pF	2.8uH

