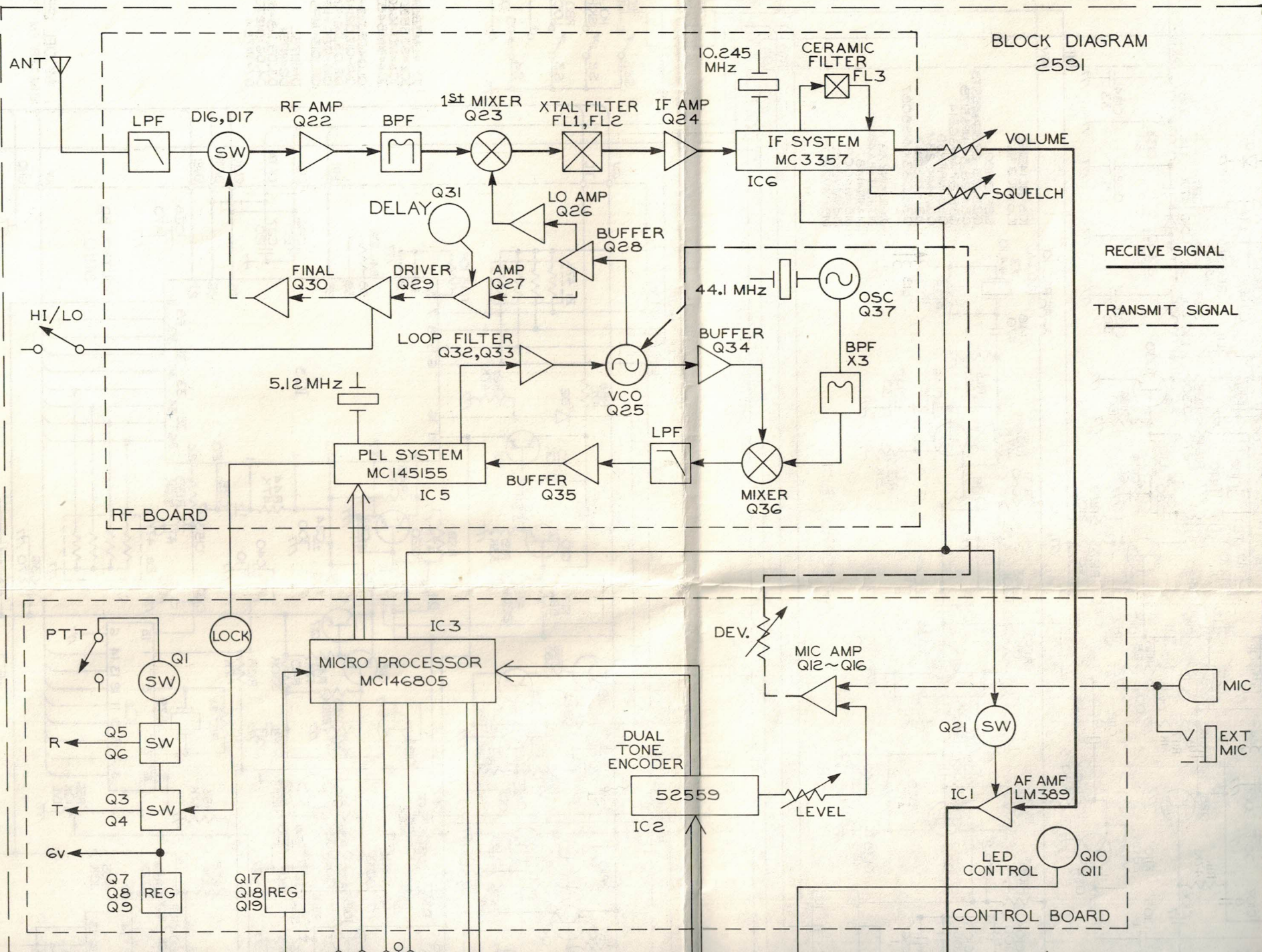
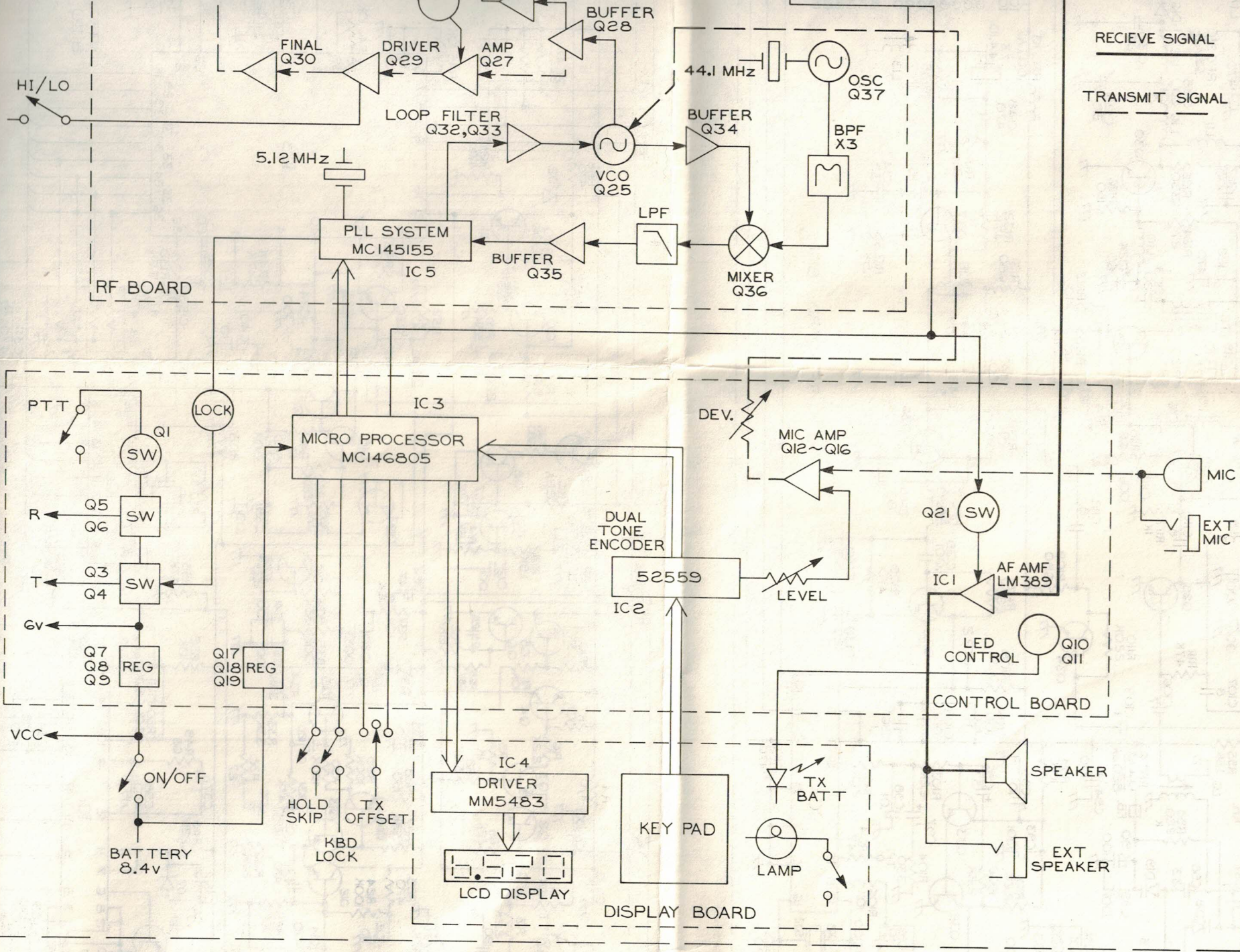
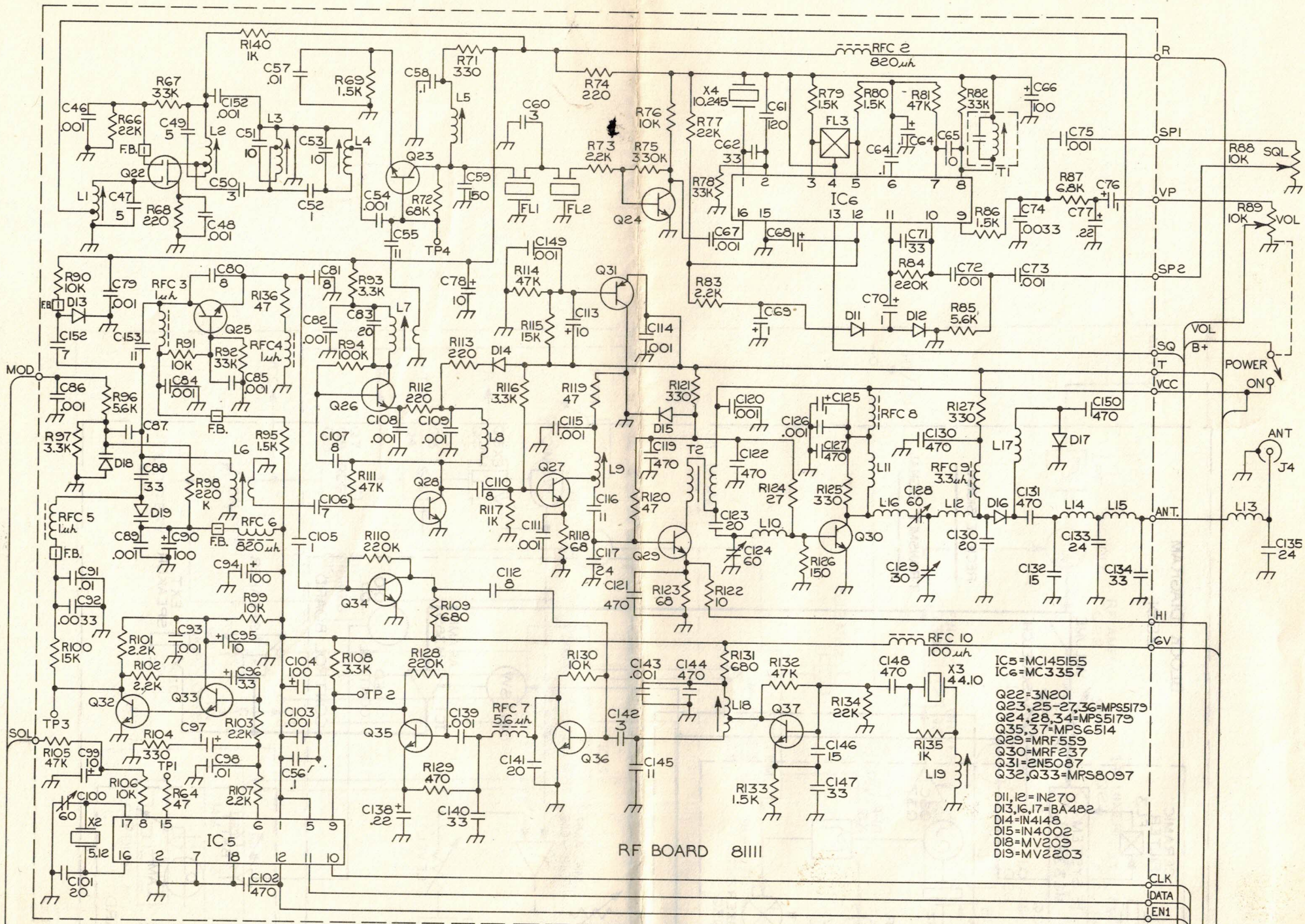


BLOCK DIAGRAM
2591

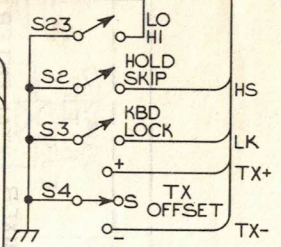
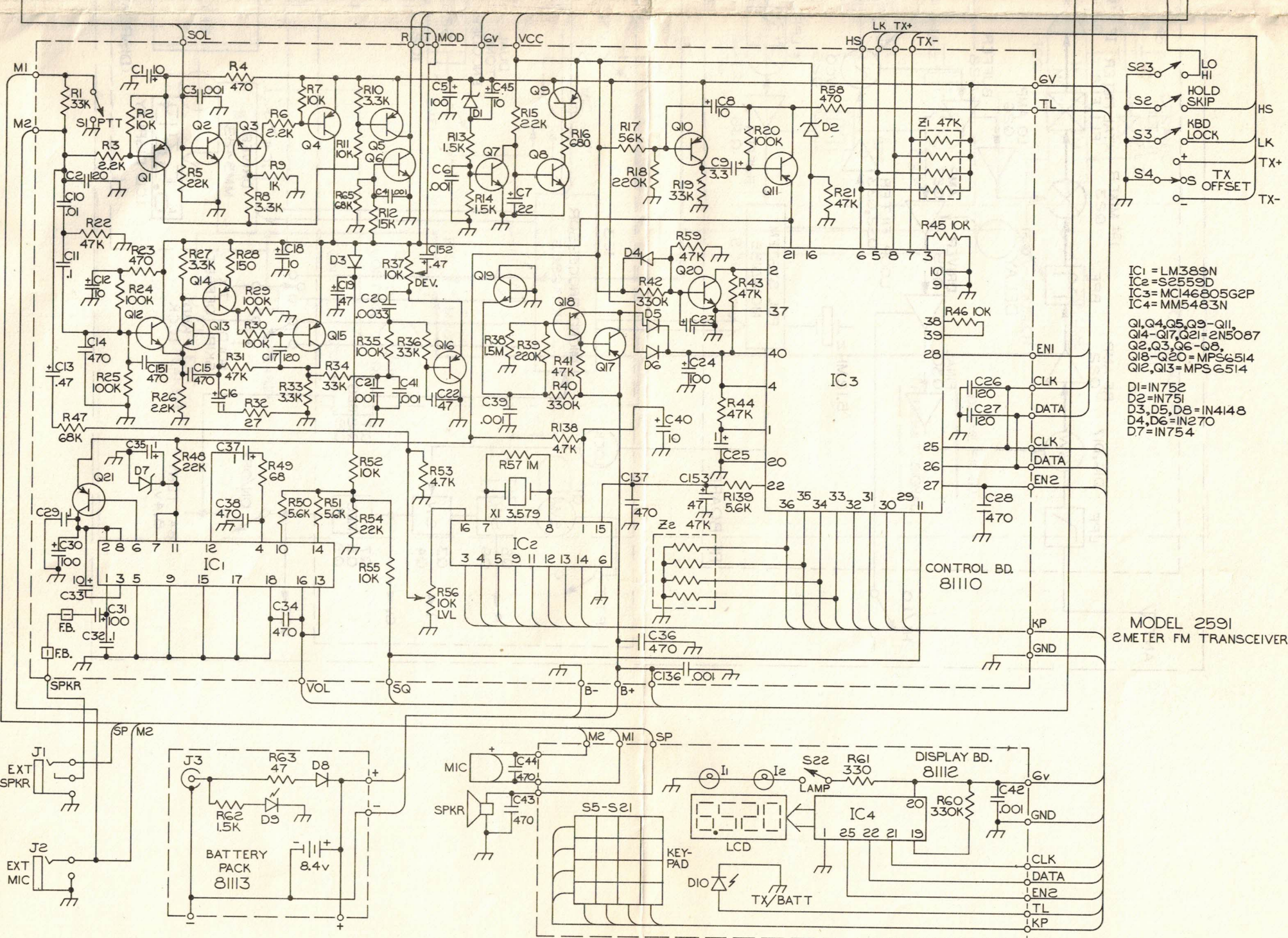






RF BOARD 8111

- IC5=MC145155
- IC6=MC3357
- Q22=3N201
- Q23,25-27,36=MPS5179
- Q24,28,34=MPS5179
- Q35,37=MPS6514
- Q29=MRF559
- Q30=MRF237
- Q31=2N5087
- Q32,Q33=MPS8097
- D11,12=IN270
- D13,16,17=BA482
- D14=IN4148
- D15=IN4002
- D18=MV209
- D19=MV2203



- IC1 = LM389N
- IC2 = S2559D
- IC3 = MC146805G2P
- IC4 = MM5483N
- Q1, Q4, Q5, Q9 - Q11, Q14 - Q17, Q21 = 2N5087
- Q2, Q3, Q6 - Q8, Q18 - Q20 = MPS6514
- Q12, Q13 = MPS6514
- D1 = IN752
- D2 = IN751
- D3, D5, D8 = IN4148
- D4, D6 = IN270
- D7 = IN754

MODEL 2591
2 METER FM TRANSCEIVER