



A NEW  
CHALLENGE



## TX-2200A LF 136kHz Transmitter

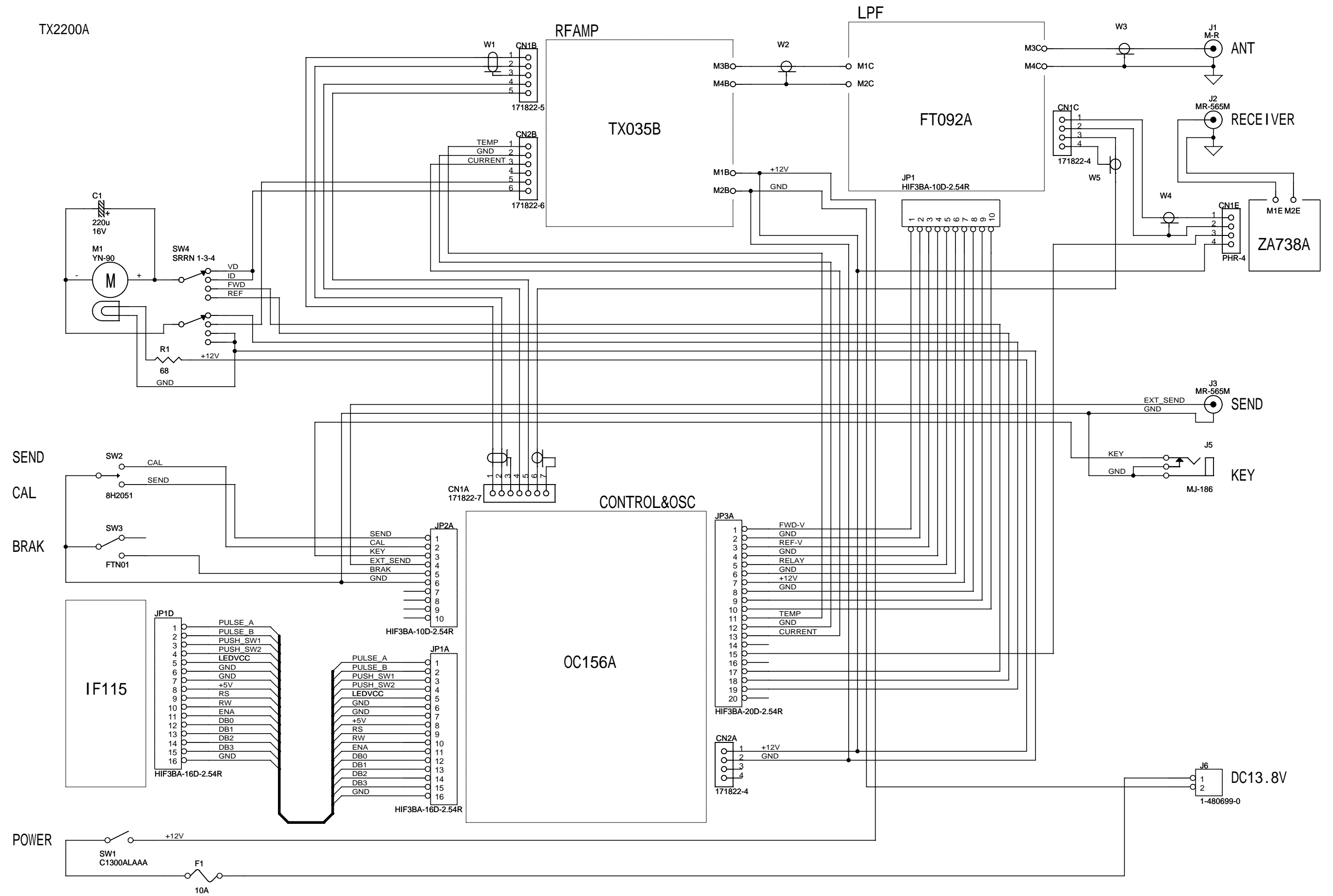
The TX-2200A transmitter provides a new challenge opportunity to hams around the world. It provides the opportunity to explore a part of the radio spectrum that is unique. Not since the early days of Marconi experiments has it been possible for hams to enjoy radio experiments at such a low frequency. The TX-2200A lets you turn the clock back and explore long waves, but with technology that the early pioneers could not even dream of. In a package around the same size as many transceivers this little gem of engineering will provide up to 100 Watts of output power.

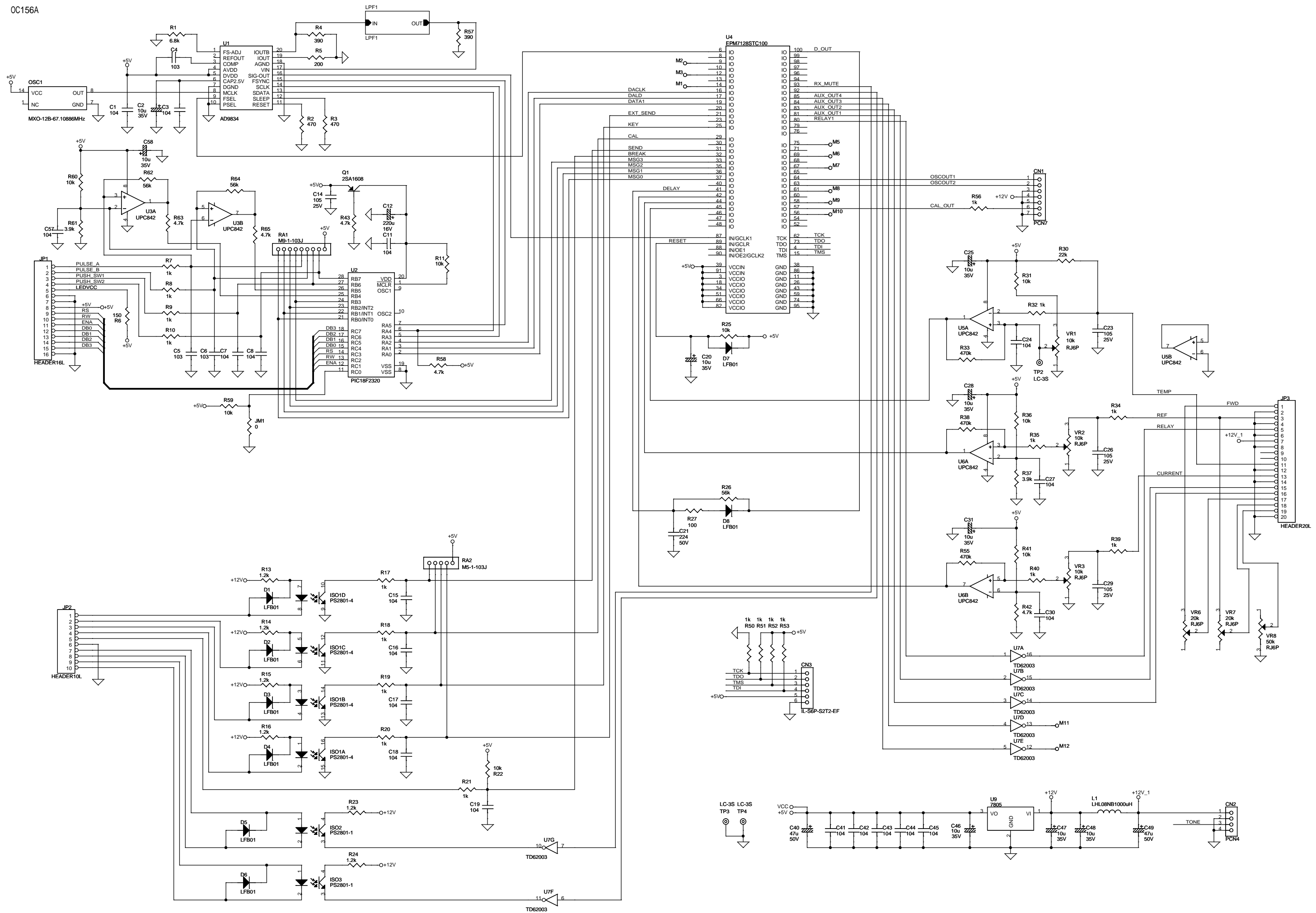
The TX-2200A offers VFO coverage over the whole of the LF spectrum. It is a self-contained CW transmitter with built-in PA and only requires 13.8V external supply to operate. The digital readout offers a clear indication of frequency and other parameters. A large front panel meter indicates a range of measurements and operational conditions.

There is a comprehensive range of facilities to enable the operator to use either a separate receiver or transceiver with suitable frequency coverage.

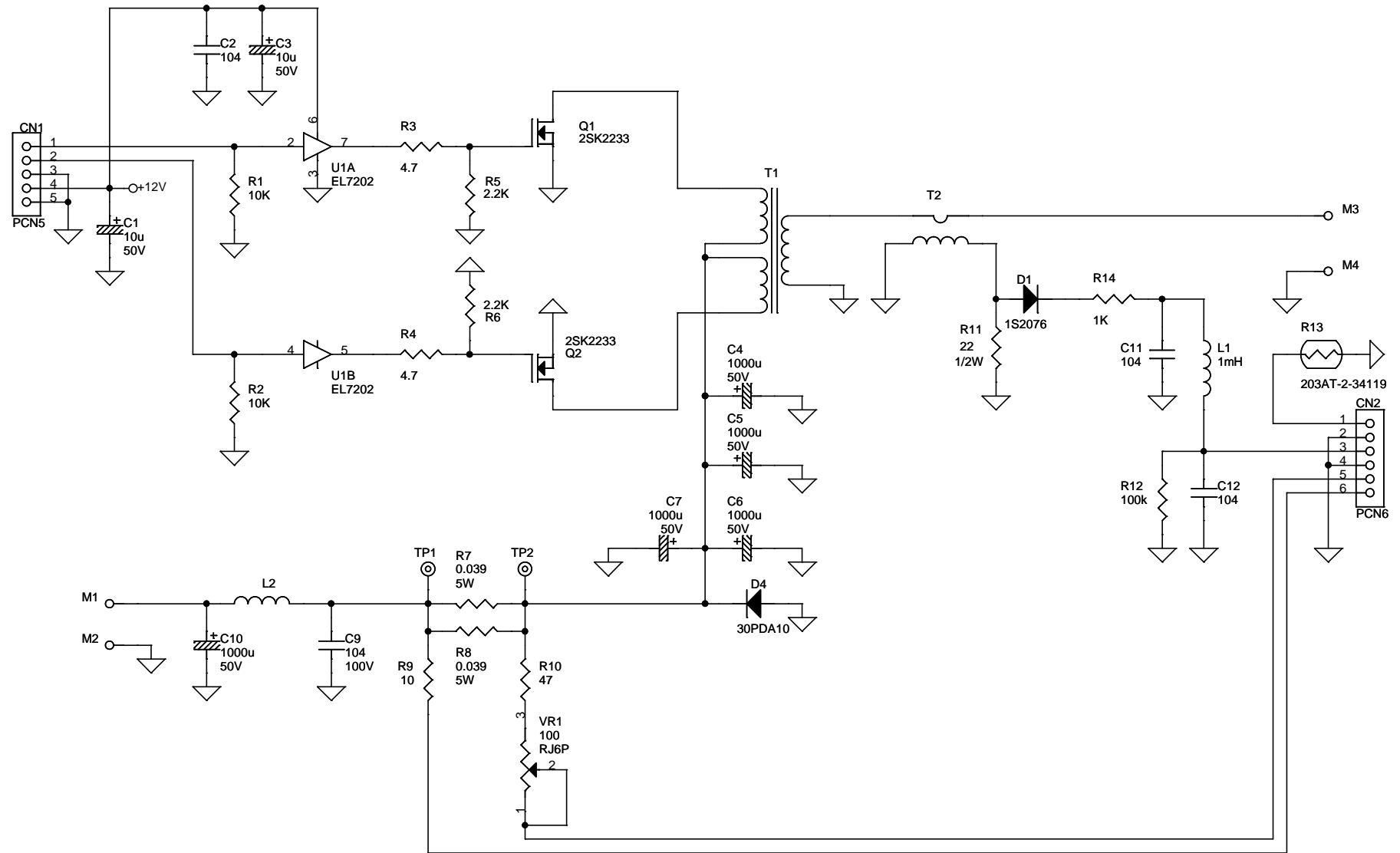
- Operates 136kHz CW at 100 Watts output including semi- break-in.
- Complete band coverage from 135.7 kHz to 137.8kHz. The frequency is displayed on the front digital panel.
- Variable power output is controlled from a sub menu using the front panel tuning knob.
- Panel meter reads supply voltage, PA current, forward and reflected power. Full PA protection is included.
- Front panel includes: Power switch, Tuning control, semi break-in switch, manual transmit, netting switch, function button,
- Rear panel includes: Antenna socket (SO-239), Receiver antenna out, Receiver mute level control, remote PTT input, CW key input (1/4"), DC power connector (lead included).
- Variable power output from 2 Watts to 100 Watts.
- It is possible to have just a single coax connection back to the receiver. The "mute" control and internal T/R switch control the amount of signal monitoring in the receiver.
- Made in Japan.

TX2200A

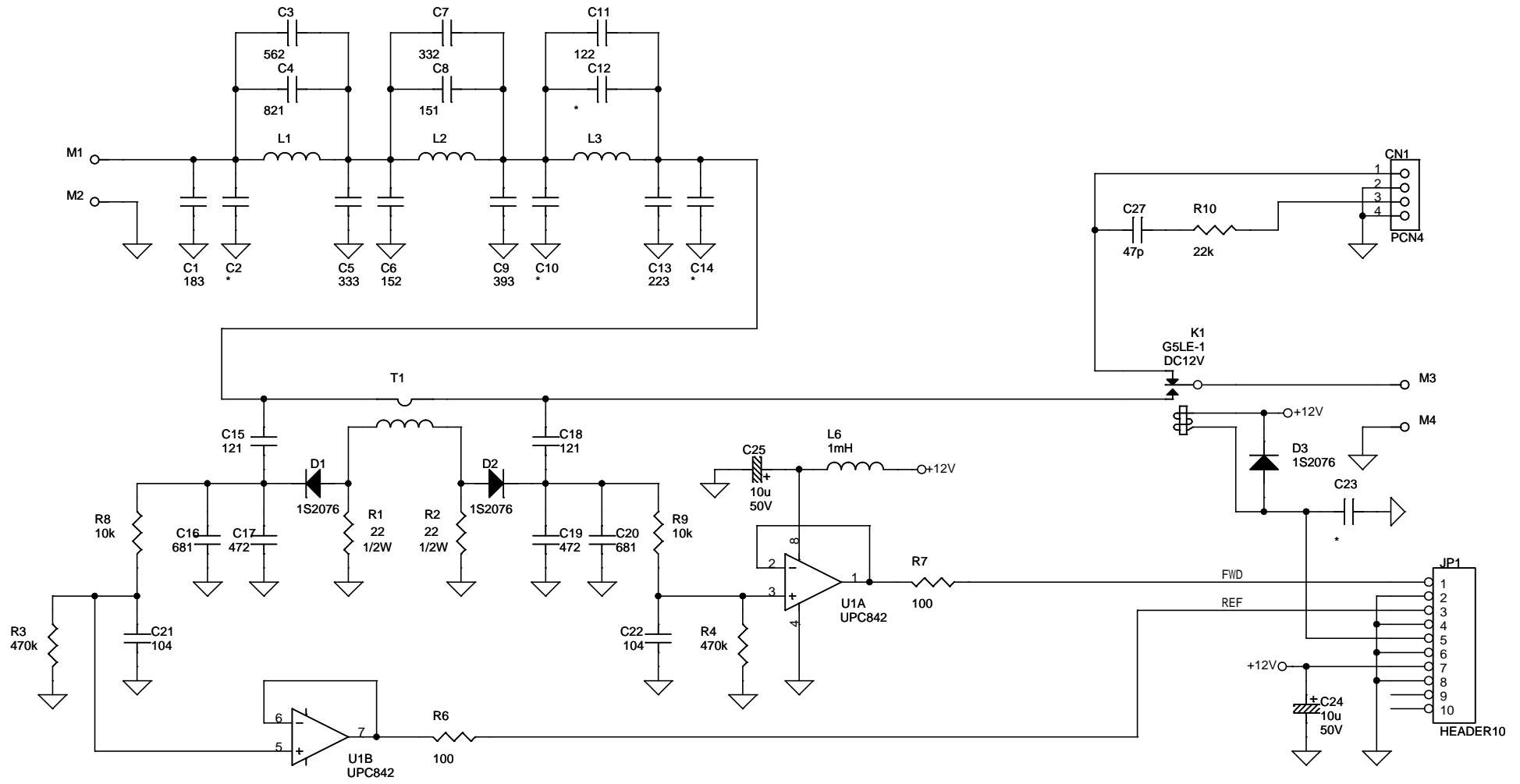




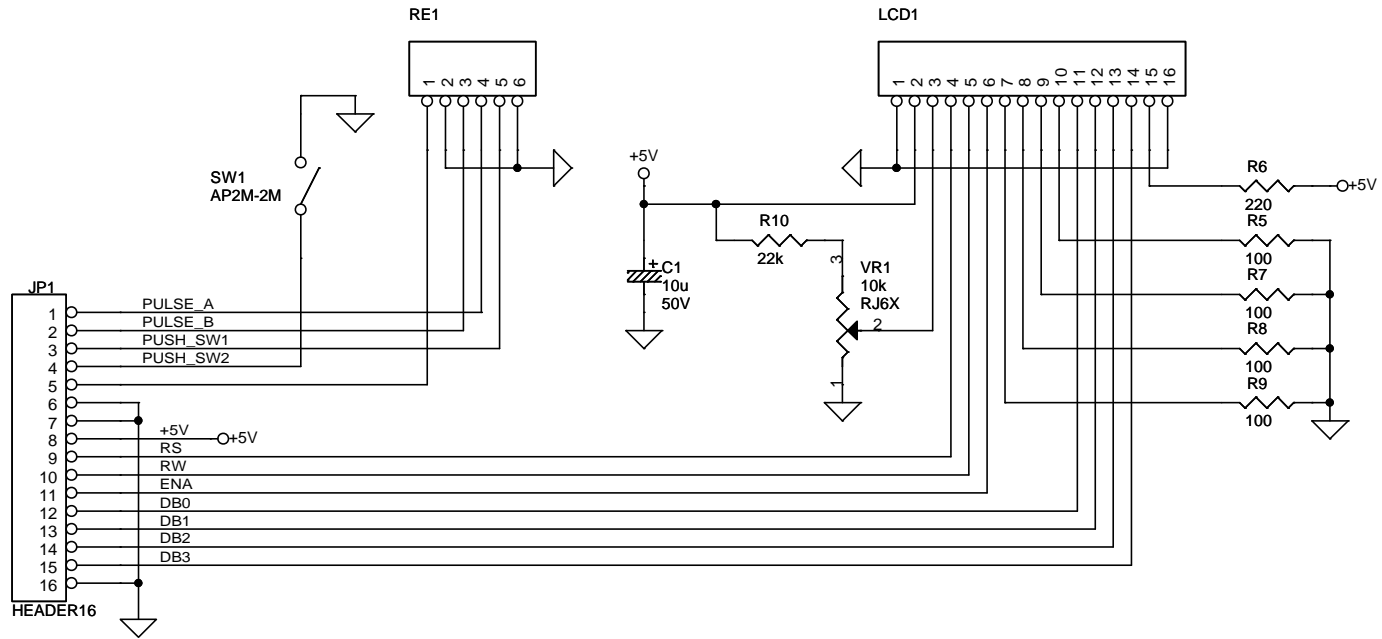
TX035B



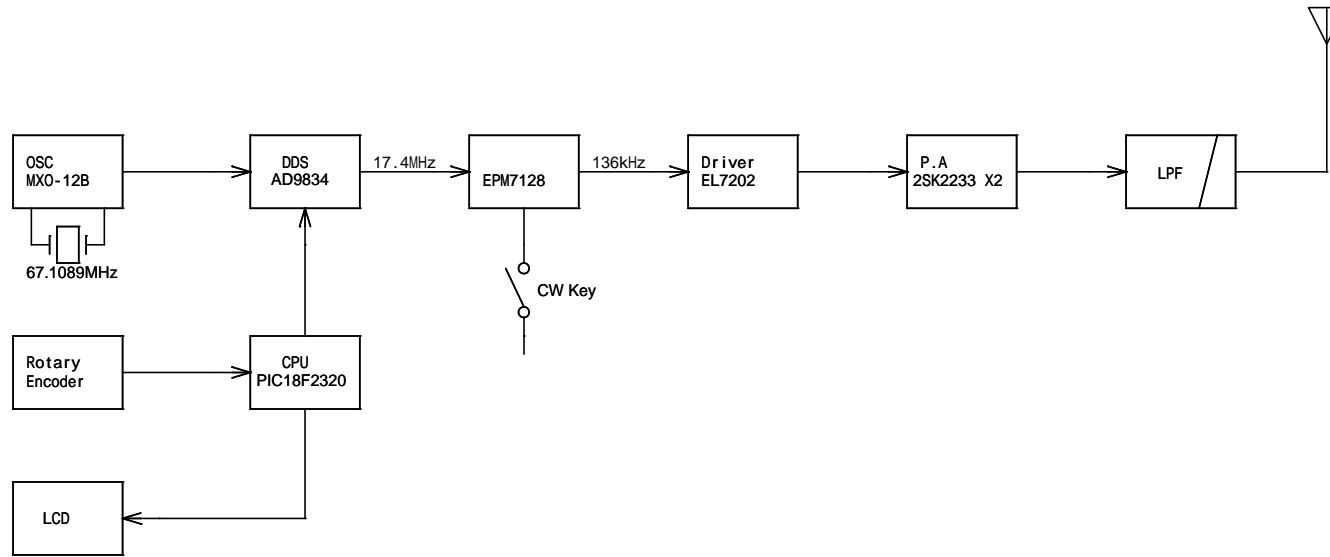
FT092A



IF115



# TX 2 2 0 0 A Block diagram



# Option 02

