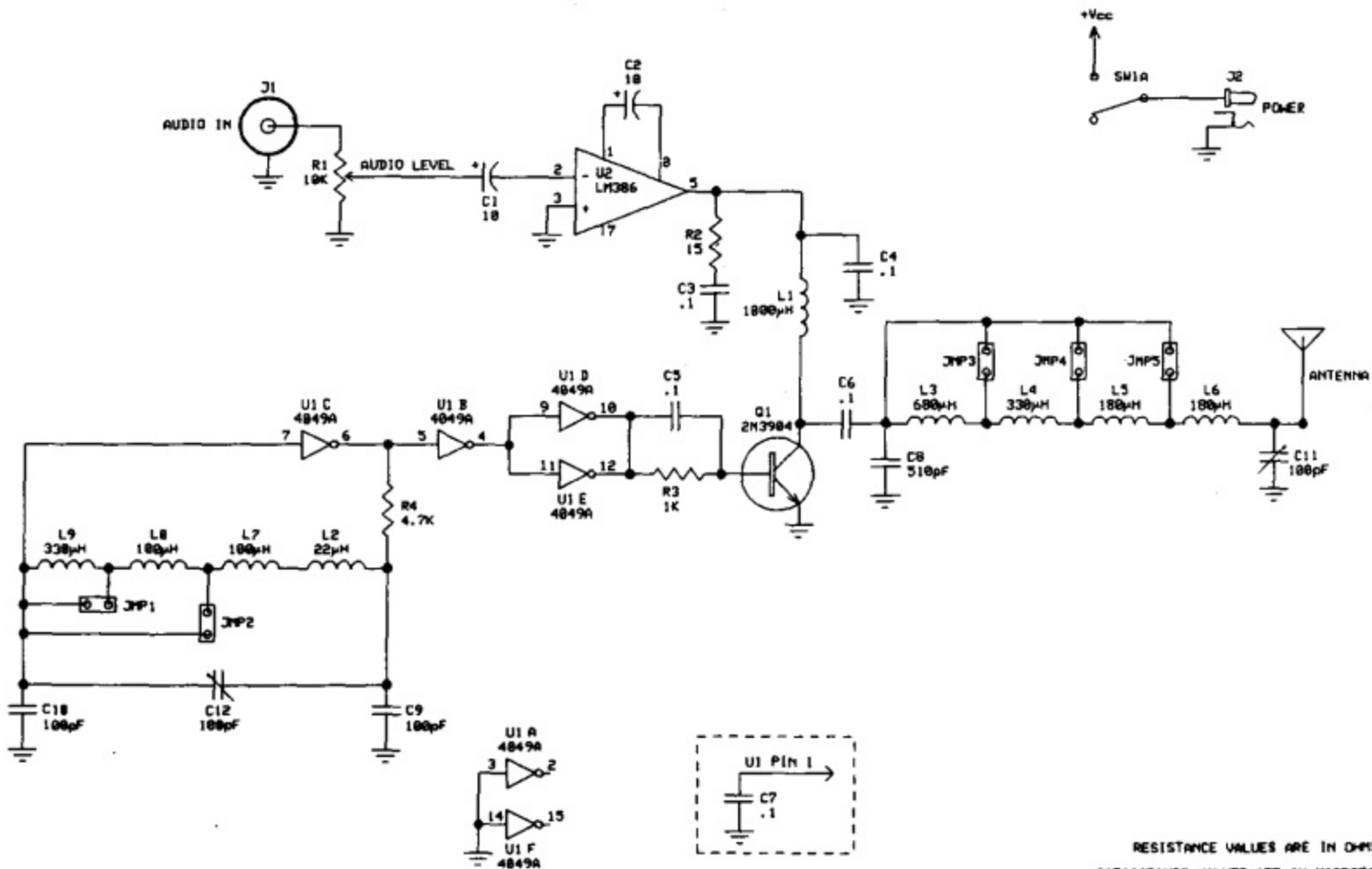


SCHEMATIC



RESISTANCE VALUES ARE IN OHMS
CAPACITANCE VALUES ARE IN MICROFARADS
UNLESS OTHERWISE SPECIFIED

DATE	REVISED	REVISED	REVISED	REVISED
04/28/98	V1290_7			
DESIGNED BY	K. BUSH			
MANUFACTURED BY	MFI ENTERPRISES, INC. 308 INDUSTRIAL PARK RD STARVILLE, MS 39759			
PART NO.		REV. NO.		REV. DATE
VEC-1290		8		061-VEC1290 sheet 1 of 1
AM RADIO TRANSMITTER				

