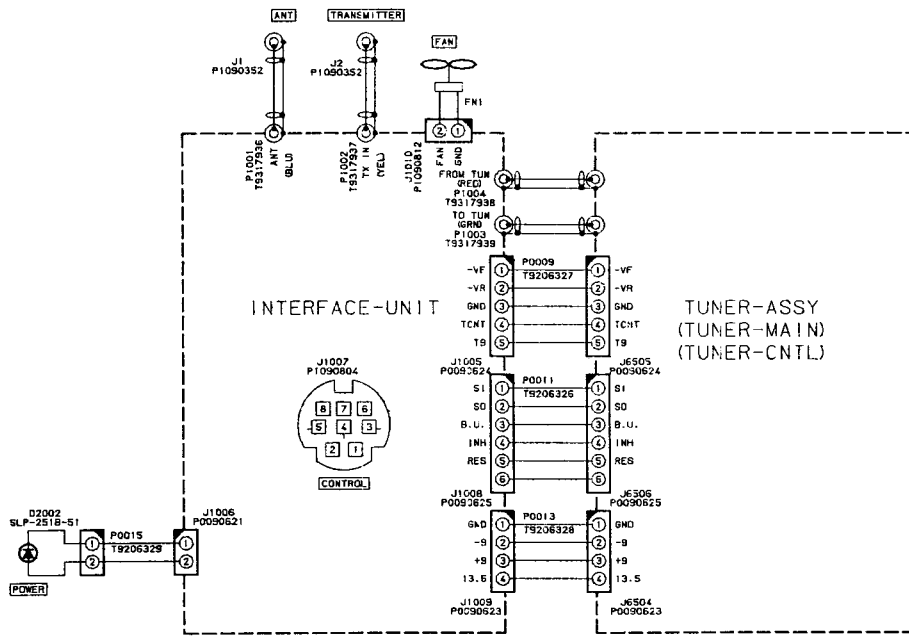
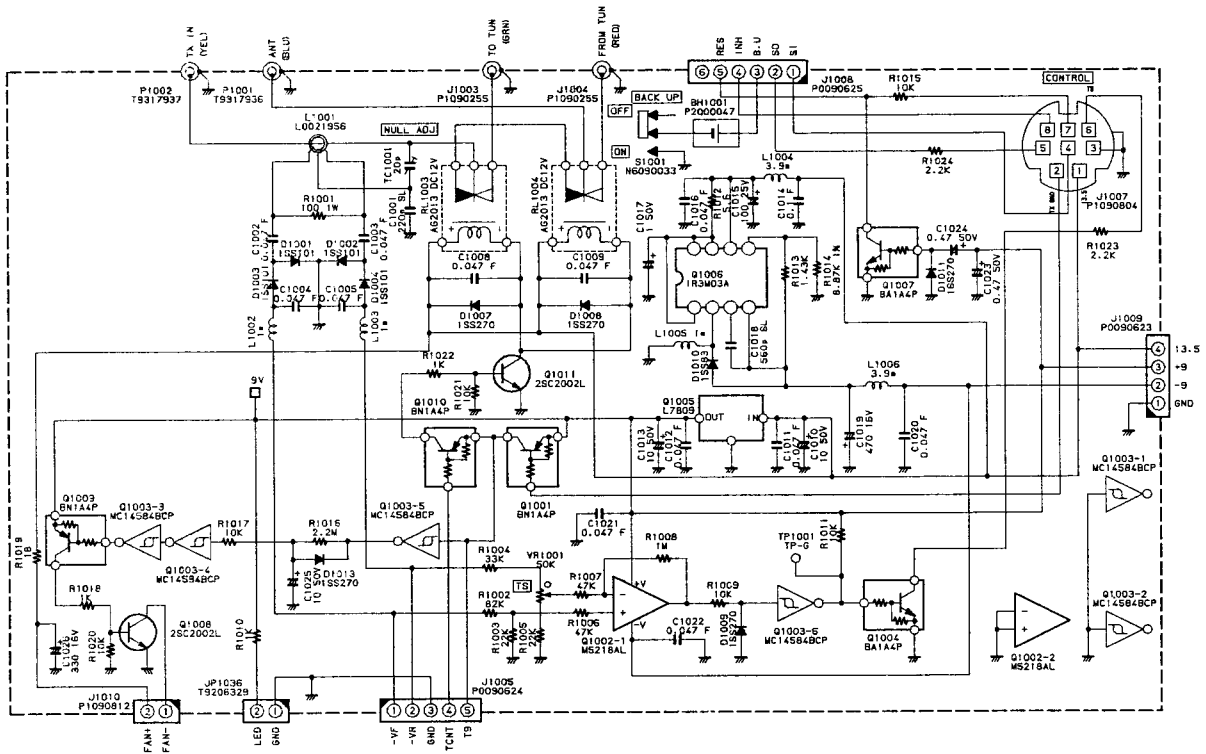


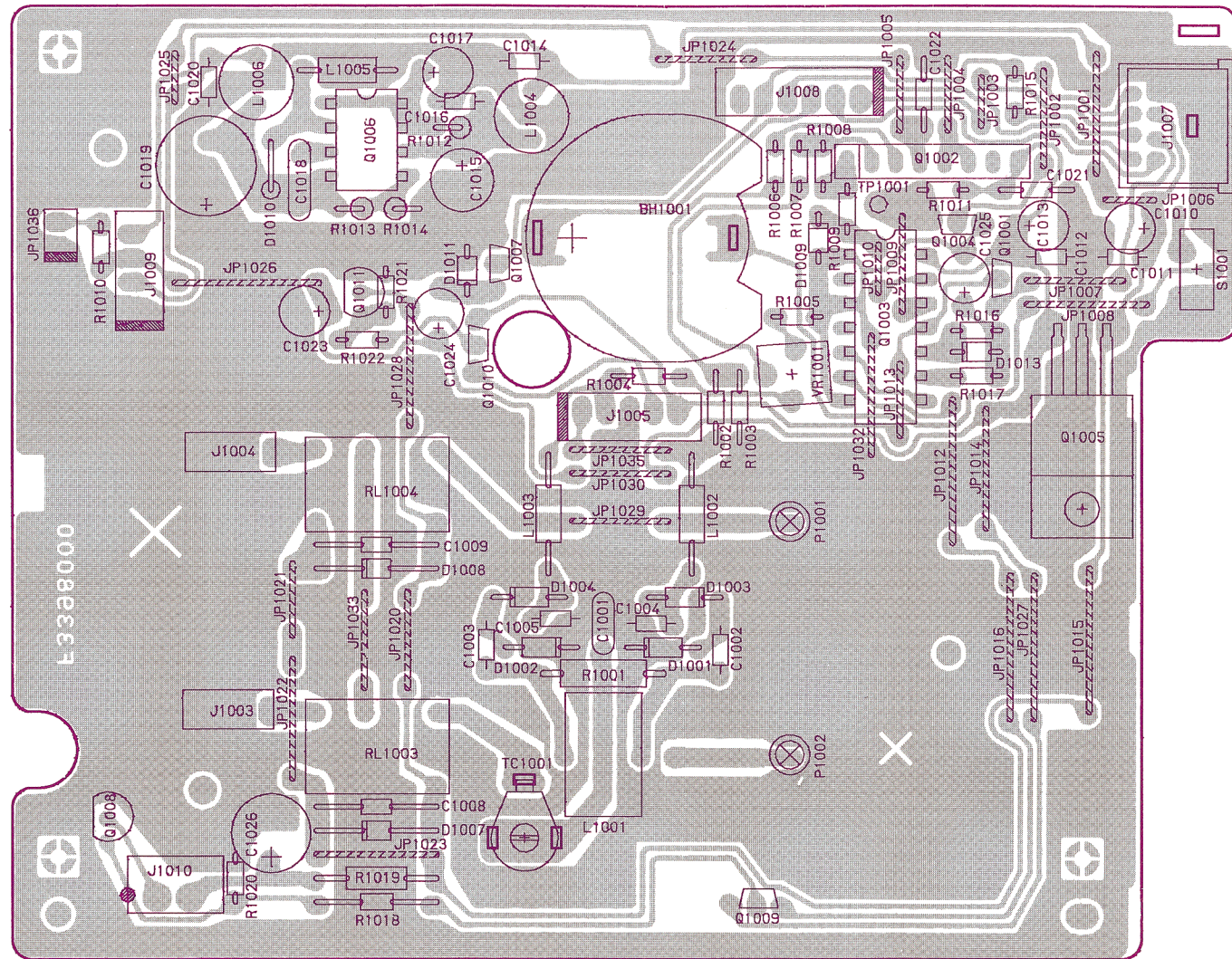
## Interconnection Diagram



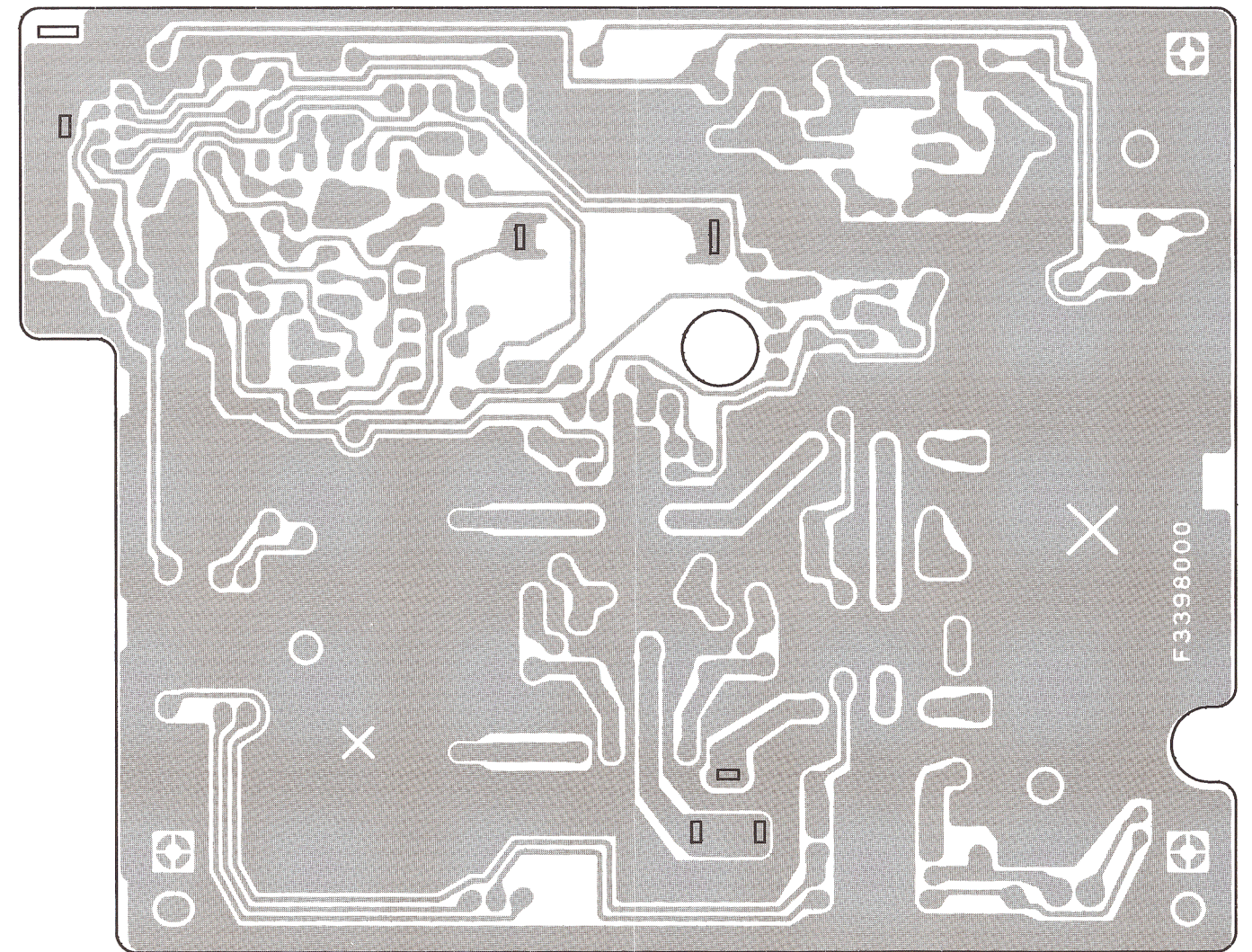
## Interface Unit Circuit Diagram



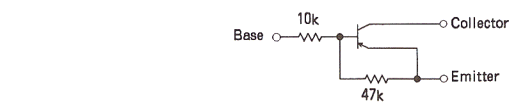
Interface Unit Parts Layout



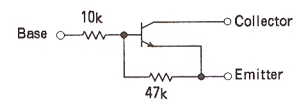
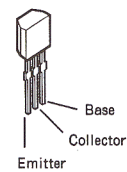
Obverse View of Component Side



Obverse View of Solder Side

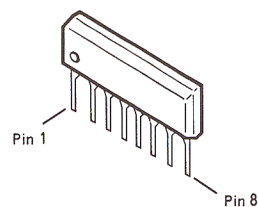


BN1A4P Circuit diagram

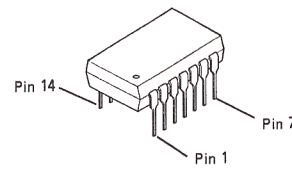


BA1A4P Circuit diagram

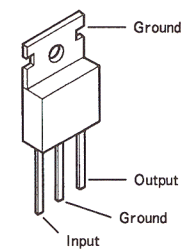
BN1A4P  
(Q1001,1009)  
BA1A4P  
(Q1004,1007)



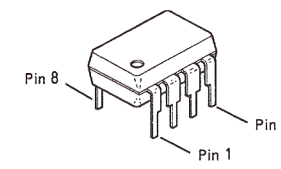
M5218AL  
(Q1002)



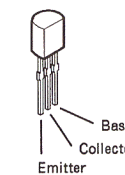
MC14584BCP  
(Q1003)



L7809  
(Q1005)



IR3M03A  
(Q1006)



2SC2002L  
(Q1008)

# FC-10 (option)

## Parts List

| REF.                   | MFGR'S DESIG          | VALUE   | WV  | TOL. | DESCRIPTION          | YAESU P/N | VERS. |
|------------------------|-----------------------|---------|-----|------|----------------------|-----------|-------|
| *** INTERFACE UNIT *** |                       |         |     |      |                      |           |       |
|                        | PCB With Components   |         |     |      |                      | CA1085001 |       |
|                        | Printed Circuit Board |         |     |      |                      | F3398000  |       |
| BH1001                 | BATTERY HOLDER        |         |     |      | CR2032               | P2000047  |       |
| C 1001                 | CERAMIC CAP.          | 220pF   | 50V | SL   | DD107-979SL221J50    | K26171037 |       |
| C 1002                 | CERAMIC CAP.          | 0.047uF | 50V | F    | UP050F473Z-A-B       | K28179002 |       |
| C 1003                 | CERAMIC CAP.          | 0.047uF | 50V | F    | UP050F473Z-A-B       | K28179002 |       |
| C 1004                 | CERAMIC CAP.          | 0.047uF | 50V | F    | UP050F473Z-A-B       | K28179002 |       |
| C 1005                 | CERAMIC CAP.          | 0.047uF | 50V | F    | UP050F473Z-A-B       | K28179002 |       |
| C 1006                 | CERAMIC CAP.          | 0.047uF | 50V | F    | UP050F473Z-A-B       | K28179002 |       |
| C 1007                 | CERAMIC CAP.          | 0.047uF | 50V | F    | UP050F473Z-A-B       | K28179002 |       |
| C 1008                 | CERAMIC CAP.          | 0.047uF | 50V | F    | UP050F473Z-A-B       | K28179002 |       |
| C 1009                 | CERAMIC CAP.          | 0.047uF | 50V | F    | UP050F473Z-A-B       | K28179002 |       |
| C 1010                 | AL. ELECTRO. CAP.     | 10uF    | 50V |      | 50V100M5X11TR5       | K46170021 |       |
| C 1011                 | CERAMIC CAP.          | 0.047uF | 50V | F    | UP050F473Z-A-B       | K28179002 |       |
| C 1012                 | CERAMIC CAP.          | 0.047uF | 50V | F    | UP050F473Z-A-B       | K28179002 |       |
| C 1013                 | AL. ELECTRO. CAP.     | 10uF    | 50V |      | 50V100M5X11TR5       | K46170021 |       |
| C 1014                 | CERAMIC CAP.          | 0.1uF   | 50V | F    | UP050F104Z-A-B       | K28179003 |       |
| C 1015                 | AL. ELECTRO. CAP.     | 100uF   | 25V |      | 25V101M6X11TR5       | K46140005 |       |
| C 1016                 | CERAMIC CAP.          | 0.047uF | 50V | F    | UP050F473Z-A-B       | K28179002 |       |
| C 1017                 | AL. ELECTRO. CAP.     | 1uF     | 50V |      | 50V010M5X11TR5       | K46170017 |       |
| C 1018                 | CERAMIC CAP.          | 560pF   | 50V | SL   | DD109-979SL561J50    | K26171047 |       |
| C 1019                 | AL. ELECTRO. CAP.     | 470uF   | 16V |      | RE2-16V471M          | K40129049 |       |
| C 1020                 | CERAMIC CAP.          | 0.047uF | 50V | F    | UP050F473Z-A-B       | K28179002 |       |
| C 1021                 | CERAMIC CAP.          | 0.047uF | 50V | F    | UP050F473Z-A-B       | K28179002 |       |
| C 1022                 | CERAMIC CAP.          | 0.047uF | 50V | F    | UP050F473Z-A-B       | K28179002 |       |
| C 1023                 | AL. ELECTRO. CAP.     | 0.47uF  | 50V |      | 50VR47M5X11TR5       | K46170016 |       |
| C 1024                 | AL. ELECTRO. CAP.     | 0.47uF  | 50V |      | 50VR47M5X11TR5       | K46170016 |       |
| C 1025                 | AL. ELECTRO. CAP.     | 10uF    | 50V |      | 50V100M5X11TR5       | K46170021 |       |
| C 1026                 | AL. ELECTRO. CAP.     | 330uF   | 16V |      | 16V331M8X11TR5       | K46120002 |       |
| D 1001                 | DIODE                 |         |     |      | 1SS101               | G2090223  |       |
| D 1002                 | DIODE                 |         |     |      | 1SS101               | G2090223  |       |
| D 1003                 | DIODE                 |         |     |      | 1SS101               | G2090223  |       |
| D 1004                 | DIODE                 |         |     |      | 1SS101               | G2090223  |       |
| D 1005                 | DIODE                 |         |     |      | 1SS270TJ             | G2060004  |       |
| D 1006                 | DIODE                 |         |     |      | 1SS270TJ             | G2060004  |       |
| D 1007                 | DIODE                 |         |     |      | 1SS270TJ             | G2060004  |       |
| D 1008                 | DIODE                 |         |     |      | 1SS270TJ             | G2060004  |       |
| D 1009                 | DIODE                 |         |     |      | 1SS270TJ             | G2060004  |       |
| D 1010                 | DIODE                 |         |     |      | 1SS83RE              | G2050007  |       |
| D 1011                 | DIODE                 |         |     |      | 1SS270TJ             | G2060004  |       |
| D 1013                 | DIODE                 |         |     |      | 1SS270TJ             | G2060004  |       |
| J 1005                 | CONNECTOR             |         |     |      | SC25-05WS            | P0090624  |       |
| J 1007                 | CONNECTOR             |         |     |      | CSK-M50-08 R41-0576F | P1090804  |       |
| J 1008                 | CONNECTOR             |         |     |      | SC25-06WS            | P0090625  |       |
| J 1009                 | CONNECTOR             |         |     |      | SC25-04WS            | P0090623  |       |
| J 1010                 | CONNECTOR             |         |     |      | SBRK 2S-1            | P1090812  |       |

# FC-10 (option)

| REF.   | MFGR'S DESIG     | VALUE | WV    | TOL. | DESCRIPTION   | YAESU P/N | VERS. |
|--------|------------------|-------|-------|------|---------------|-----------|-------|
| JP1036 | WIRE-ASSY        |       |       |      |               | T9206329  |       |
| L 1001 | COIL             |       |       |      | U 2001F FR9.5 | L0021956  |       |
| L 1002 | M. RFC           | 1mH   |       |      | LAL03TA102K   | L1790119  |       |
| L 1003 | M. RFC           | 1mH   |       |      | LAL03TA102K   | L1790119  |       |
| L 1004 | M. RFC           | 3.9mH |       |      | RCR-875D-392K | L1190383  |       |
| L 1005 | M. RFC           | 1mH   |       |      | LAL03TA102K   | L1790119  |       |
| L 1006 | M. RFC           | 3.9mH |       |      | RCR-875D-392K | L1190383  |       |
| P 1001 | WIRE-ASSY        |       |       |      |               | T9317936  |       |
| P 1002 | WIRE-ASSY        |       |       |      |               | T9317937  |       |
| P 1003 | WIRE-ASSY        |       |       |      |               | T9317939  |       |
| P 1004 | WIRE-ASSY        |       |       |      |               | T9317938  |       |
| Q 1001 | TRANSISTOR       |       |       |      | BN1A4P-T      | G3050002  |       |
| Q 1002 | IC               |       |       |      | M5218AL       | G1091140  |       |
| Q 1003 | IC               |       |       |      | MC14584BCP    | G1090224  |       |
| Q 1004 | TRANSISTOR       |       |       |      | BA1A4P-T      | G3050003  |       |
| Q 1005 | IC               |       |       |      | L7809         | G1090778  |       |
| Q 1006 | IC               |       |       |      | IR3M03A       | G1090837  |       |
| Q 1007 | TRANSISTOR       |       |       |      | BA1A4P-T      | G3050003  |       |
| Q 1008 | TRANSISTOR       |       |       |      | 2SC2002L      | G3320020L |       |
| Q 1009 | TRANSISTOR       |       |       |      | BN1A4P-T      | G3050002  |       |
| R 1001 | METAL FILM RES.  | 100   | 1W    | 5%   | ERG-1SJ101P   | J22309010 |       |
| R 1002 | CARBON FILM RES. | 82K   | 1/6W  | 5%   | RD16TPJ823    | J07225823 |       |
| R 1003 | CARBON FILM RES. | 22K   | 1/6W  | 5%   | RD16TPJ223    | J07225223 |       |
| R 1004 | CARBON FILM RES. | 33K   | 1/6W  | 5%   | RD16TPJ333    | J07225333 |       |
| R 1005 | CARBON FILM RES. | 22K   | 1/6W  | 5%   | RD16TPJ223    | J07225223 |       |
| R 1006 | CARBON FILM RES. | 47K   | 1/6W  | 5%   | RD16TPJ473    | J07225473 |       |
| R 1007 | CARBON FILM RES. | 47K   | 1/6W  | 5%   | RD16TPJ473    | J07225473 |       |
| R 1008 | CARBON FILM RES. | 1M    | 1/6W  | 5%   | RD16TPJ105    | J07225105 |       |
| R 1009 | CARBON FILM RES. | 10K   | 1/6W  | 5%   | RD16TPJ103    | J07225103 |       |
| R 1010 | CARBON FILM RES. | 1K    | 1/6W  | 5%   | RD16TPJ102    | J07225102 |       |
| R 1011 | CARBON FILM RES. | 10K   | 1/6W  | 5%   | RD16TPJ103    | J07225103 |       |
| R 1012 | CARBON FILM RES. | 5.6   | 1/6W  | 5%   | RD16TPJ5R6    | J07225569 |       |
| R 1013 | METAL FILM RES.  | 1.43K | 1/4W  | 1%   | MRS25F 1.43K  | J20249102 |       |
| R 1014 | METAL FILM RES.  | 8.87K | 1/4W  | 1%   | MRS25F 8.87K  | J20249046 |       |
| R 1015 | CARBON FILM RES. | 10K   | 1/6W  | 5%   | RD16TPJ103    | J07225103 |       |
| R 1016 | CARBON FILM RES. | 2.2M  | 1/6W  | 5%   | RD16TPJ225    | J07225225 |       |
| R 1017 | CARBON FILM RES. | 10K   | 1/6W  | 5%   | RD16TPJ103    | J07225103 |       |
| R 1018 | CARBON FILM RES. | 1K    | 1/6W  | 5%   | RD16TPJ102    | J07225102 |       |
| R 1019 | CARBON FILM RES. | 15    | 1/4W  | 5%   | RD14TJ150     | J01245150 |       |
| R 1020 | CARBON FILM RES. | 10K   | 1/6W  | 5%   | RD16TPJ103    | J07225103 |       |
| RL1001 | RELAY            |       | DC12V |      | AG2013        | M1190045  |       |
| RL1002 | RELAY            |       | DC12V |      | AG2013        | M1190045  |       |
| RL1003 | RELAY            |       | DC12V |      | AG2013        | M1190045  |       |
| RL1004 | RELAY            |       | DC12V |      | AG2013        | M1190045  |       |
| S 1001 | SLIDE SWITCH     |       |       |      | SSS21200      | N6090033  |       |

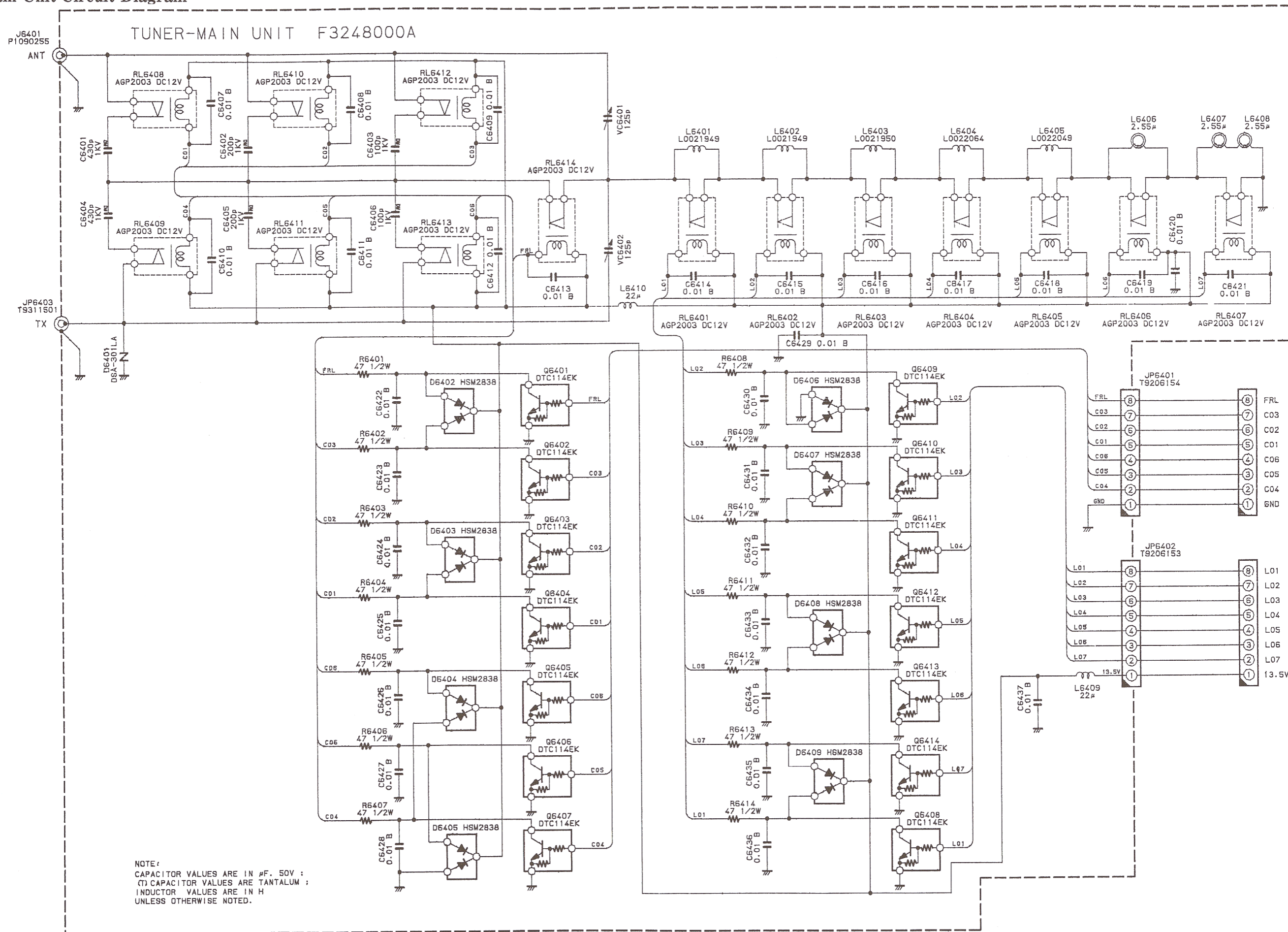
---

# FC-10 (option)

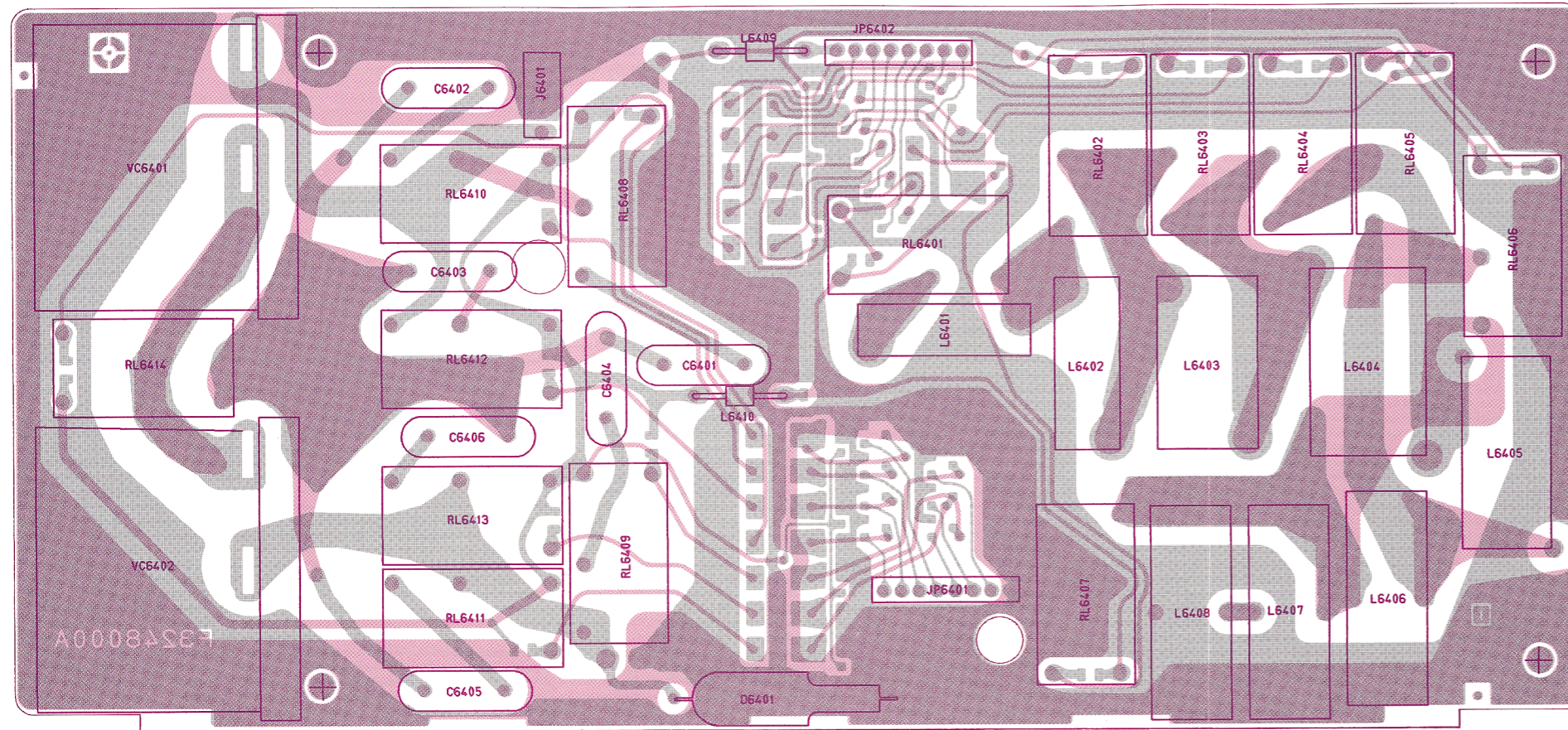
| REF.   | MFGR'S DESIG | VALUE | WV | TOL. | DESCRIPTION   | YAESU P/N | VERS. |
|--------|--------------|-------|----|------|---------------|-----------|-------|
| TC1001 | TRIMMER CAP. | 20pF  |    |      | ECV1ZW20X32   | K91000013 |       |
| TP1001 | TP-G         |       |    |      | MK1095        | Q5000036  |       |
| VR1001 | POT.         | 50K   |    |      | EVN-DXAA03B54 | J51783503 |       |



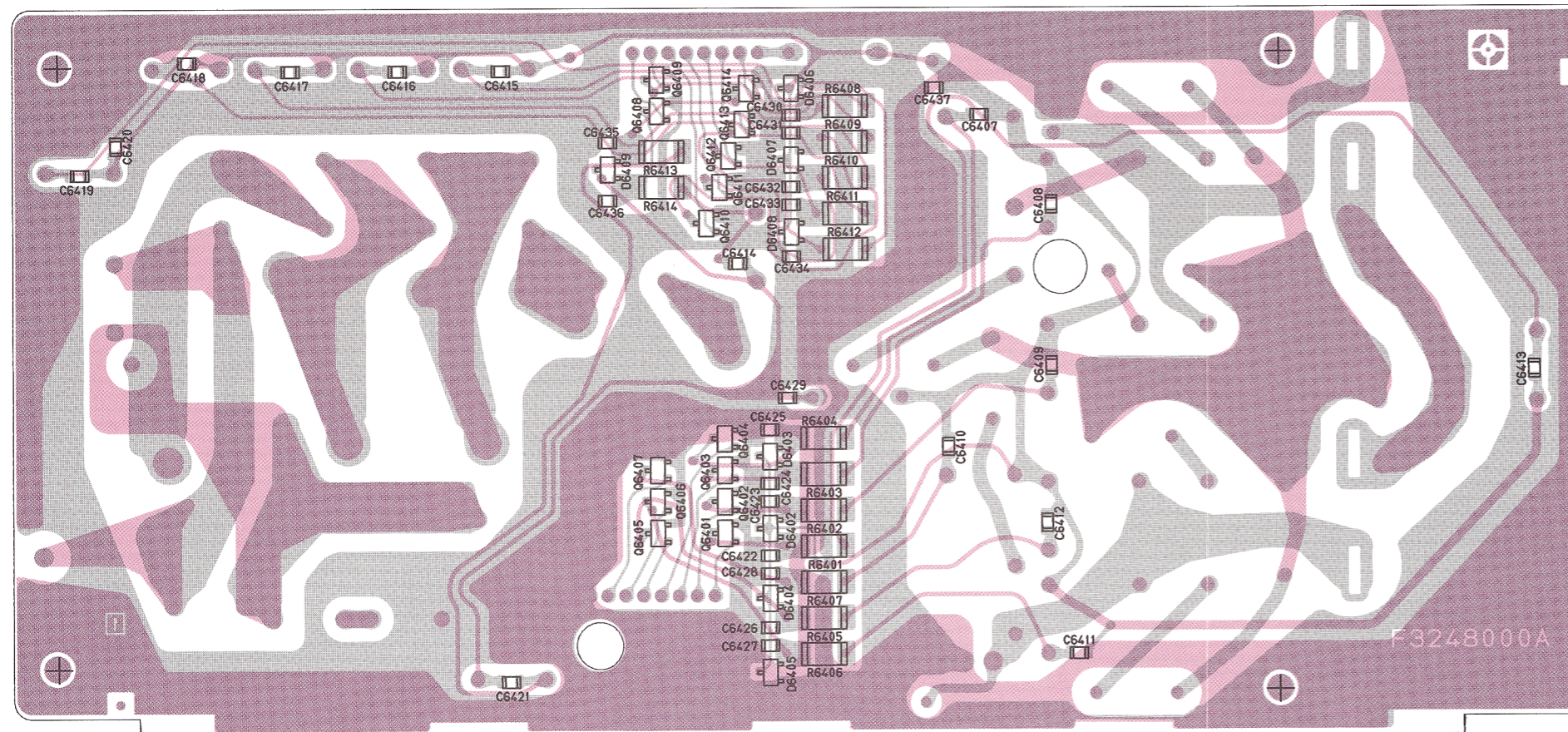
Tuner Main Unit Circuit Diagram



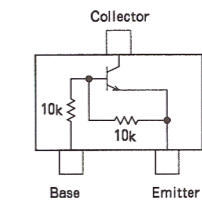
Tuner Main Unit Parts Layout



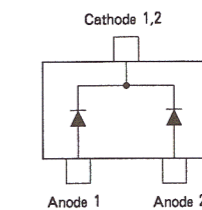
Obverse View of Component Side



Obverse View of Chip Side



DTC114EK (24)  
 (Q6401, 6402, 6403)  
 (6404, 6405, 6406)  
 (6407, 6408, 6414)



HSM2838 (A6)  
 (D6402, 6403, 6404)  
 (6405, 6406, 6407)  
 (6408, 6409)



## Parts List

| REF.                    | MFGR'S DESIG          | VALUE  | WV  | TOL. | DESCRIPTION    | YAESU P/N | VERS. |
|-------------------------|-----------------------|--------|-----|------|----------------|-----------|-------|
| *** TUNER MAIN UNIT *** |                       |        |     |      |                |           |       |
|                         | PCB With Components   |        |     |      |                | CA1203001 |       |
|                         | Printed Circuit Board |        |     |      |                | F3248000A |       |
| C 6401                  | MICA CAP.             | 430pF  | 1KV |      | DML2 431J10    | K30309018 |       |
| C 6402                  | MICA CAP.             | 200pF  | 1KV |      | DML2 201J10    | K30309026 |       |
| C 6403                  | MICA CAP.             | 100pF  | 1KV |      | DML2 101J10    | K30309040 |       |
| C 6404                  | MICA CAP.             | 430pF  | 1KV |      | DML2 431J10    | K30309018 |       |
| C 6405                  | MICA CAP.             | 200pF  | 1KV |      | DML2 201J10    | K30309026 |       |
| C 6406                  | MICA CAP.             | 100pF  | 1KV |      | DML2 101J10    | K30309040 |       |
| C 6407                  | CHIP CAP.             | 0.01uF | 50V | B    | GRM40B103M50PT | K22170817 |       |
| C 6408                  | CHIP CAP.             | 0.01uF | 50V | B    | GRM40B103M50PT | K22170817 |       |
| C 6409                  | CHIP CAP.             | 0.01uF | 50V | B    | GRM40B103M50PT | K22170817 |       |
| C 6410                  | CHIP CAP.             | 0.01uF | 50V | B    | GRM40B103M50PT | K22170817 |       |
| C 6411                  | CHIP CAP.             | 0.01uF | 50V | B    | GRM40B103M50PT | K22170817 |       |
| C 6412                  | CHIP CAP.             | 0.01uF | 50V | B    | GRM40B103M50PT | K22170817 |       |
| C 6413                  | CHIP CAP.             | 0.01uF | 50V | B    | GRM40B103M50PT | K22170817 |       |
| C 6414                  | CHIP CAP.             | 0.01uF | 50V | B    | GRM40B103M50PT | K22170817 |       |
| C 6415                  | CHIP CAP.             | 0.01uF | 50V | B    | GRM40B103M50PT | K22170817 |       |
| C 6416                  | CHIP CAP.             | 0.01uF | 50V | B    | GRM40B103M50PT | K22170817 |       |
| C 6417                  | CHIP CAP.             | 0.01uF | 50V | B    | GRM40B103M50PT | K22170817 |       |
| C 6418                  | CHIP CAP.             | 0.01uF | 50V | B    | GRM40B103M50PT | K22170817 |       |
| C 6419                  | CHIP CAP.             | 0.01uF | 50V | B    | GRM40B103M50PT | K22170817 |       |
| C 6420                  | CHIP CAP.             | 0.01uF | 50V | B    | GRM40B103M50PT | K22170817 |       |
| C 6421                  | CHIP CAP.             | 0.01uF | 50V | B    | GRM40B103M50PT | K22170817 |       |
| C 6422                  | CHIP CAP.             | 0.01uF | 50V | B    | GRM40B103M50PT | K22170817 |       |
| C 6423                  | CHIP CAP.             | 0.01uF | 50V | B    | GRM40B103M50PT | K22170817 |       |
| C 6424                  | CHIP CAP.             | 0.01uF | 50V | B    | GRM40B103M50PT | K22170817 |       |
| C 6425                  | CHIP CAP.             | 0.01uF | 50V | B    | GRM40B103M50PT | K22170817 |       |
| C 6426                  | CHIP CAP.             | 0.01uF | 50V | B    | GRM40B103M50PT | K22170817 |       |
| C 6427                  | CHIP CAP.             | 0.01uF | 50V | B    | GRM40B103M50PT | K22170817 |       |
| C 6428                  | CHIP CAP.             | 0.01uF | 50V | B    | GRM40B103M50PT | K22170817 |       |
| C 6429                  | CHIP CAP.             | 0.01uF | 50V | B    | GRM40B103M50PT | K22170817 |       |
| C 6430                  | CHIP CAP.             | 0.01uF | 50V | B    | GRM40B103M50PT | K22170817 |       |
| C 6431                  | CHIP CAP.             | 0.01uF | 50V | B    | GRM40B103M50PT | K22170817 |       |
| C 6432                  | CHIP CAP.             | 0.01uF | 50V | B    | GRM40B103M50PT | K22170817 |       |
| C 6433                  | CHIP CAP.             | 0.01uF | 50V | B    | GRM40B103M50PT | K22170817 |       |
| C 6434                  | CHIP CAP.             | 0.01uF | 50V | B    | GRM40B103M50PT | K22170817 |       |
| C 6435                  | CHIP CAP.             | 0.01uF | 50V | B    | GRM40B103M50PT | K22170817 |       |
| C 6436                  | CHIP CAP.             | 0.01uF | 50V | B    | GRM40B103M50PT | K22170817 |       |
| C 6437                  | CHIP CAP.             | 0.01uF | 50V | B    | GRM40B103M50PT | K22170817 |       |
| D 6401                  | SURGE ABSORBER        |        |     |      | DSA-301LA      | Q9000371  |       |
| D 6402                  | DIODE                 |        |     |      | HSM2838-TR     | G2070108  |       |
| D 6403                  | DIODE                 |        |     |      | HSM2838-TR     | G2070108  |       |
| D 6404                  | DIODE                 |        |     |      | HSM2838-TR     | G2070108  |       |
| D 6405                  | DIODE                 |        |     |      | HSM2838-TR     | G2070108  |       |
| D 6406                  | DIODE                 |        |     |      | HSM2838-TR     | G2070108  |       |
| D 6407                  | DIODE                 |        |     |      | HSM2838-TR     | G2070108  |       |
| D 6408                  | DIODE                 |        |     |      | HSM2838-TR     | G2070108  |       |
| D 6409                  | DIODE                 |        |     |      | HSM2838-TR     | G2070108  |       |

# FC-10 (option)

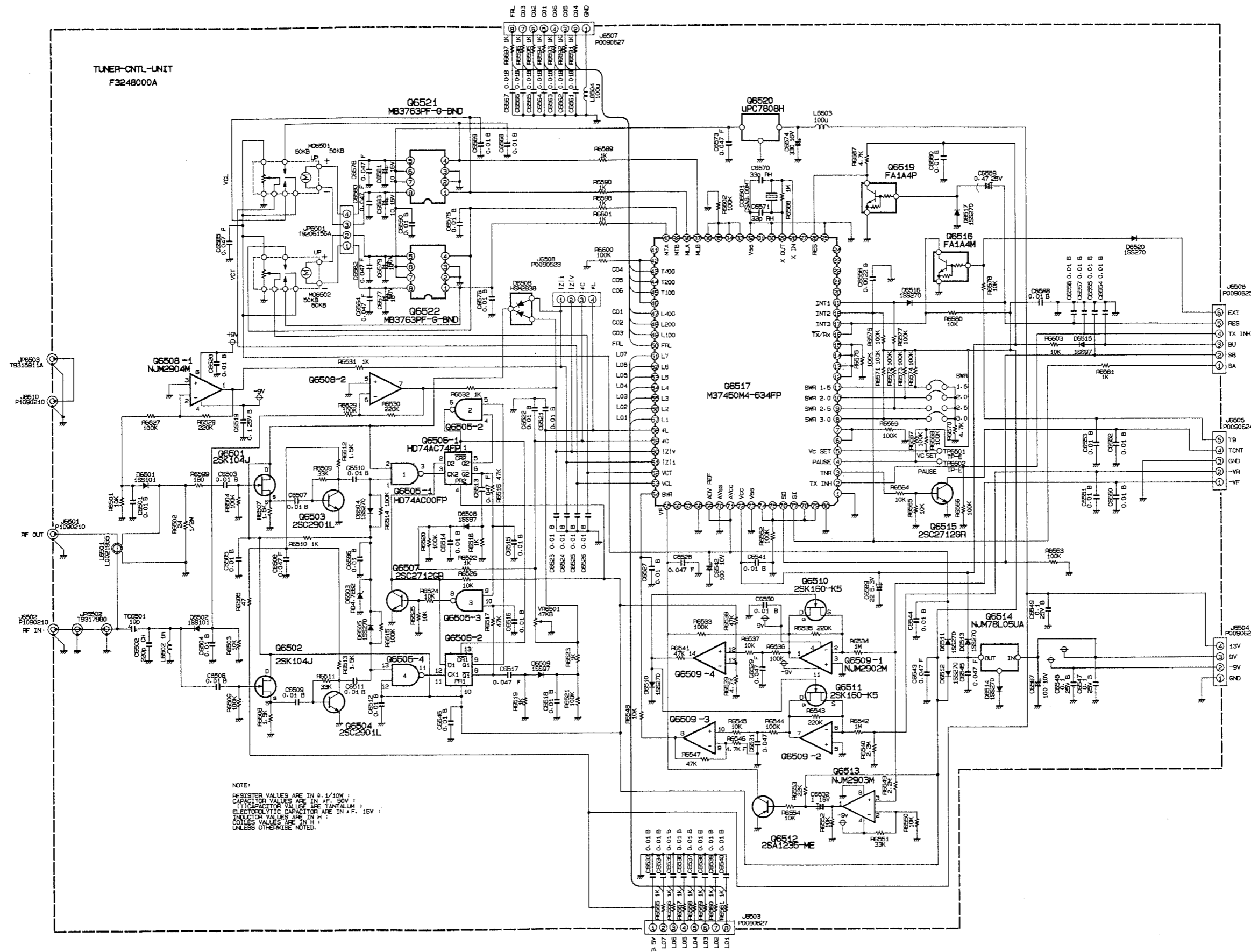
| REF.   | MFGR'S DESIG | VALUE | WV    | TOL. | DESCRIPTION       | YAESU P/N | VERS. |
|--------|--------------|-------|-------|------|-------------------|-----------|-------|
| J 6401 | CONNECTOR    |       |       |      | TMP-J01X-A2       | P1090255  |       |
| JP6401 | WIRE-ASSY    |       |       |      |                   | T9206154  |       |
| JP6402 | WIRE-ASSY    |       |       |      |                   | T9206153  |       |
| JP6403 | WIRE-ASSY    |       |       |      |                   | T9311501  |       |
| L 6401 | COIL         |       |       |      | 2. 5T15D2. OPVF R | L0021949  |       |
| L 6402 | COIL         |       |       |      | 2. 5T15D2. OPVF R | L0021949  |       |
| L 6403 | COIL         |       |       |      | 4. 5T15D2. OPVF R | L0021950  |       |
| L 6404 | COIL         |       |       |      | 6. 5T19D2. OPVF R | L0022064  |       |
| L 6405 | COIL         |       |       |      | 7. 5T20D1. 2UEW R | L0022049  |       |
| L 6406 | COIL         |       |       |      | 2. 55U T-80-2     | L0021978  |       |
| L 6407 | COIL         |       |       |      | 2. 55U T-80-2     | L0021978  |       |
| L 6408 | COIL         |       |       |      | 2. 55U T-80-2     | L0021978  |       |
| L 6409 | M. RFC       | 22uH  |       |      | LAL03TA220K       | L1790099  |       |
| L 6410 | M. RFC       | 22uH  |       |      | LAL03TA220K       | L1790099  |       |
| Q 6401 | TRANSISTOR   |       |       |      | DTC114EK T96      | G3070002  |       |
| Q 6402 | TRANSISTOR   |       |       |      | DTC114EK T96      | G3070002  |       |
| Q 6403 | TRANSISTOR   |       |       |      | DTC114EK T96      | G3070002  |       |
| Q 6404 | TRANSISTOR   |       |       |      | DTC114EK T96      | G3070002  |       |
| Q 6405 | TRANSISTOR   |       |       |      | DTC114EK T96      | G3070002  |       |
| Q 6406 | TRANSISTOR   |       |       |      | DTC114EK T96      | G3070002  |       |
| Q 6407 | TRANSISTOR   |       |       |      | DTC114EK T96      | G3070002  |       |
| Q 6408 | TRANSISTOR   |       |       |      | DTC114EK T96      | G3070002  |       |
| Q 6409 | TRANSISTOR   |       |       |      | DTC114EK T96      | G3070002  |       |
| Q 6410 | TRANSISTOR   |       |       |      | DTC114EK T96      | G3070002  |       |
| Q 6411 | TRANSISTOR   |       |       |      | DTC114EK T96      | G3070002  |       |
| Q 6412 | TRANSISTOR   |       |       |      | DTC114EK T96      | G3070002  |       |
| Q 6413 | TRANSISTOR   |       |       |      | DTC114EK T96      | G3070002  |       |
| Q 6414 | TRANSISTOR   |       |       |      | DTC114EK T96      | G3070002  |       |
| R 6401 | CHIP RES.    | 47    | 1/2W  | 5%   | RMC1/2 470JCTP    | J24275470 |       |
| R 6402 | CHIP RES.    | 47    | 1/2W  | 5%   | RMC1/2 470JCTP    | J24275470 |       |
| R 6403 | CHIP RES.    | 47    | 1/2W  | 5%   | RMC1/2 470JCTP    | J24275470 |       |
| R 6404 | CHIP RES.    | 47    | 1/2W  | 5%   | RMC1/2 470JCTP    | J24275470 |       |
| R 6405 | CHIP RES.    | 47    | 1/2W  | 5%   | RMC1/2 470JCTP    | J24275470 |       |
| R 6406 | CHIP RES.    | 47    | 1/2W  | 5%   | RMC1/2 470JCTP    | J24275470 |       |
| R 6407 | CHIP RES.    | 47    | 1/2W  | 5%   | RMC1/2 470JCTP    | J24275470 |       |
| R 6408 | CHIP RES.    | 47    | 1/2W  | 5%   | RMC1/2 470JCTP    | J24275470 |       |
| R 6409 | CHIP RES.    | 47    | 1/2W  | 5%   | RMC1/2 470JCTP    | J24275470 |       |
| R 6410 | CHIP RES.    | 47    | 1/2W  | 5%   | RMC1/2 470JCTP    | J24275470 |       |
| R 6411 | CHIP RES.    | 47    | 1/2W  | 5%   | RMC1/2 470JCTP    | J24275470 |       |
| R 6412 | CHIP RES.    | 47    | 1/2W  | 5%   | RMC1/2 470JCTP    | J24275470 |       |
| R 6413 | CHIP RES.    | 47    | 1/2W  | 5%   | RMC1/2 470JCTP    | J24275470 |       |
| R 6414 | CHIP RES.    | 47    | 1/2W  | 5%   | RMC1/2 470JCTP    | J24275470 |       |
| RL6401 | RELAY        |       | DC12V |      | AGP2003           | M1190075  |       |
| RL6402 | RELAY        |       | DC12V |      | AGP2003           | M1190075  |       |
| RL6403 | RELAY        |       | DC12V |      | AGP2003           | M1190075  |       |
| RL6404 | RELAY        |       | DC12V |      | AGP2003           | M1190075  |       |
| RL6405 | RELAY        |       | DC12V |      | AGP2003           | M1190075  |       |

# FC-10 (option)

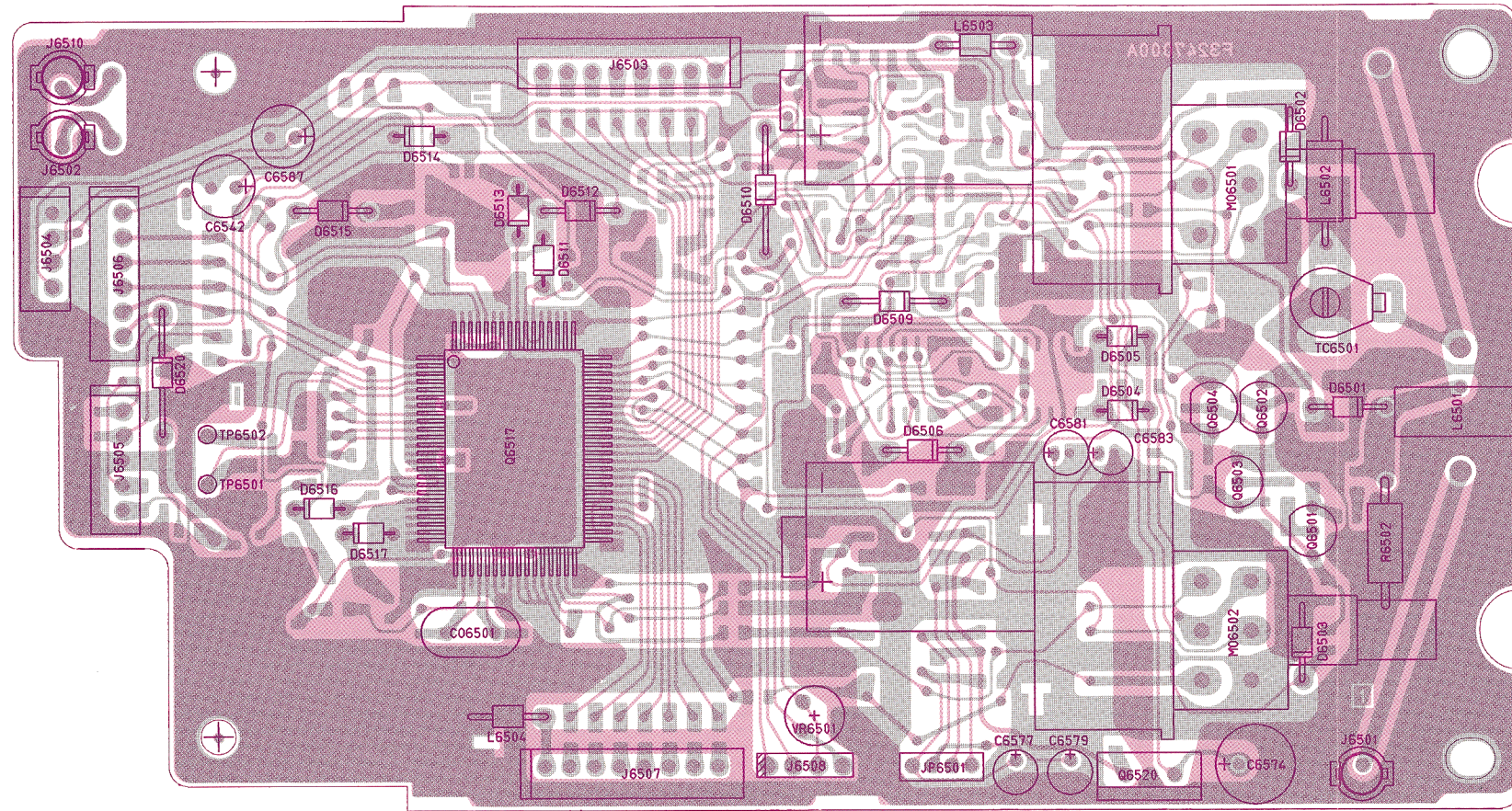
| REF.   | MFGR'S DESIG | VALUE | WV    | TOL. | DESCRIPTION | YAESU P/N | VERS. |
|--------|--------------|-------|-------|------|-------------|-----------|-------|
| RL6406 | RELAY        |       | DC12V |      | AGP2003     | M1190075  |       |
| RL6407 | RELAY        |       | DC12V |      | AGP2003     | M1190075  |       |
| RL6408 | RELAY        |       | DC12V |      | AGP2003     | M1190075  |       |
| RL6409 | RELAY        |       | DC12V |      | AGP2003     | M1190075  |       |
| RL6410 | RELAY        |       | DC12V |      | AGP2003     | M1190075  |       |
| RL6411 | RELAY        |       | DC12V |      | AGP2003     | M1190075  |       |
| RL6412 | RELAY        |       | DC12V |      | AGP2003     | M1190075  |       |
| RL6413 | RELAY        |       | DC12V |      | AGP2003     | M1190075  |       |
| RL6414 | RELAY        |       | DC12V |      | AGP2003     | M1190075  |       |
| VC6401 | TRIMMER CAP. | 125pF |       |      | YV-125-05   | K90000049 |       |
| VC6402 | TRIMMER CAP. | 125pF |       |      | YV-125-05   | K90000049 |       |



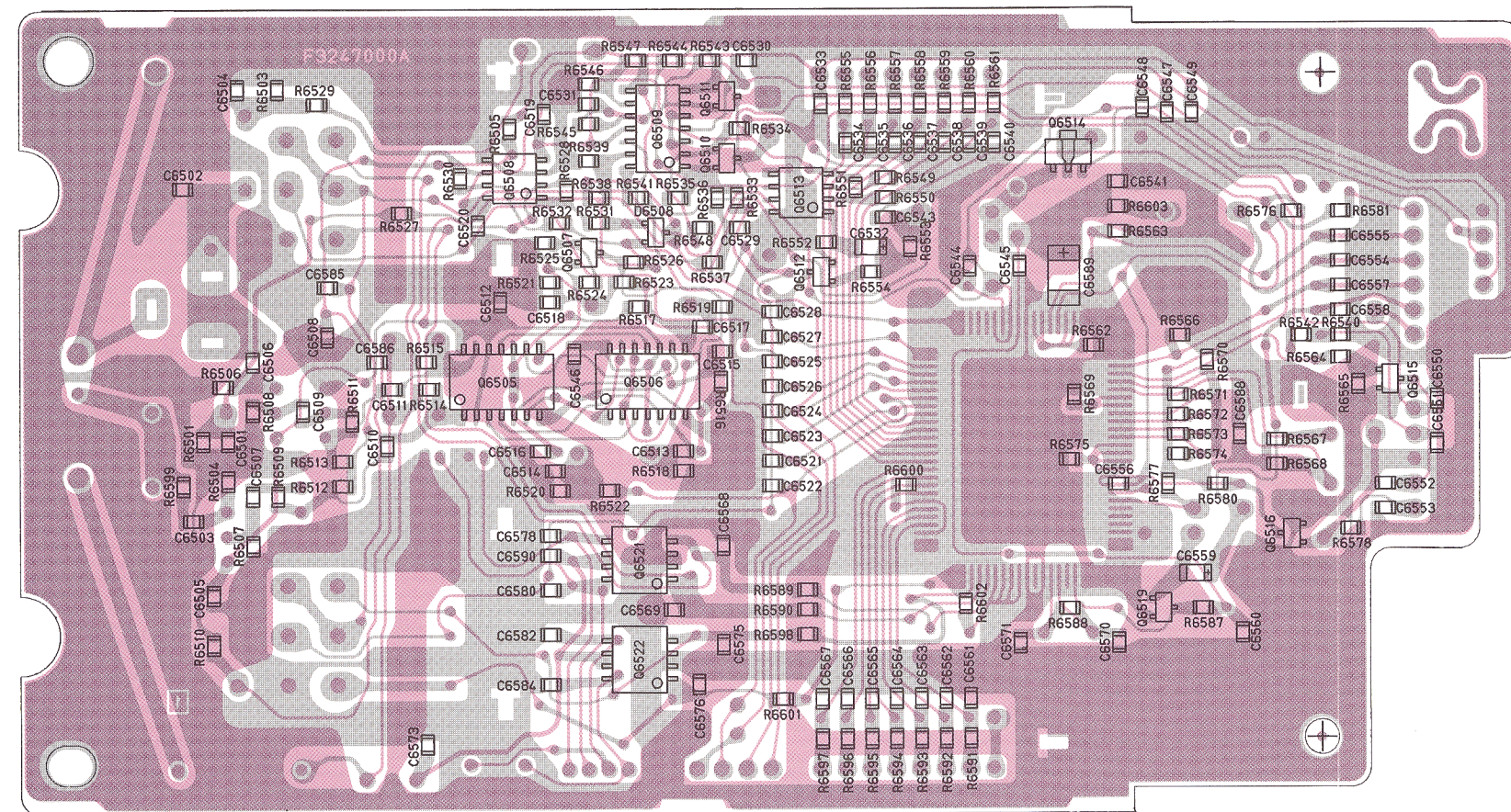
Tuner Control Unit Circuit Diagram



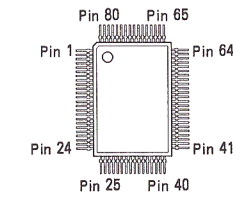
Tuner Control Unit Parts Layout



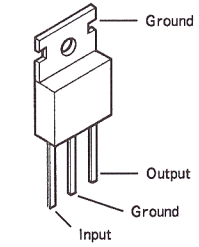
Obverse View of Component Side



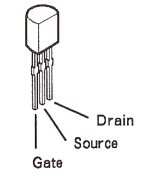
Obverse View of Chip Side



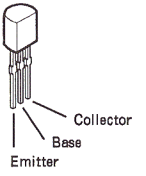
M37450E4FP MY-021 (Q6517)



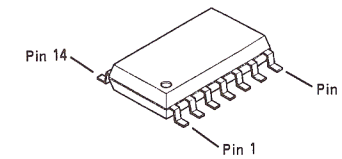
μ PC7808H (Q6520)



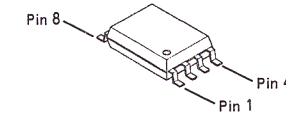
2SK104J (Q6501, 6502)



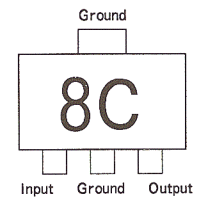
2SC2901L (Q6503, 6504)



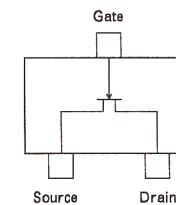
HD74AC00FP (Q6505)  
HD74AC74FP (Q6506)  
NJM2902M (Q6509)



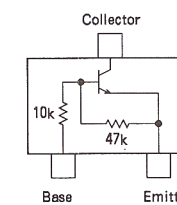
MB3763PF (Q6521, 6522)  
NJM2903M (Q6513)  
NJM2904M (Q6508)



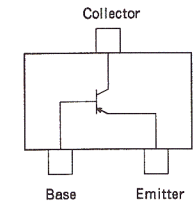
NJM78L05UA (8C) (Q6514)



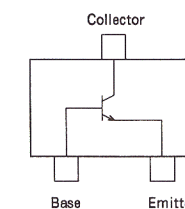
2SK160 (K5) (Q6510, 6511)



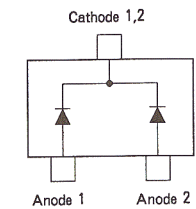
FA1A4P (L34) (Q65166519)



2SA1235 (ME) (Q6512)



2SC2712GR (LG) (Q6507, 6515)



HSM2838 (A6) (D6508)

## Parts List

| REF.                    | MFRG'S DESIG          | VALUE   | WV  | TOL. | DESCRIPTION     | YAESU P/N | VERS. |
|-------------------------|-----------------------|---------|-----|------|-----------------|-----------|-------|
| *** TUNER CNTL UNIT *** |                       |         |     |      |                 |           |       |
|                         | PCB With Components   |         |     |      |                 | CA1147001 |       |
|                         | Printed Circuit Board |         |     |      |                 | F3247000A |       |
| C 6501                  | CHIP CAP.             | 0.01uF  | 50V | B    | GRM40B103M50PT  | K22170817 |       |
| C 6502                  | CHIP CAP.             | 220pF   | 50V | CH   | GRM40CH221J50PT | K22170243 |       |
| C 6503                  | CHIP CAP.             | 0.01uF  | 50V | B    | GRM40B103M50PT  | K22170817 |       |
| C 6504                  | CHIP CAP.             | 0.01uF  | 50V | B    | GRM40B103M50PT  | K22170817 |       |
| C 6505                  | CHIP CAP.             | 0.01uF  | 50V | B    | GRM40B103M50PT  | K22170817 |       |
| C 6506                  | CHIP CAP.             | 0.01uF  | 50V | B    | GRM40B103M50PT  | K22170817 |       |
| C 6507                  | CHIP CAP.             | 0.01uF  | 50V | B    | GRM40B103M50PT  | K22170817 |       |
| C 6508                  | CHIP CAP.             | 0.047uF | 50V | F    | GRM40F473Z50PT  | K22171008 |       |
| C 6509                  | CHIP CAP.             | 0.01uF  | 50V | B    | GRM40B103M50PT  | K22170817 |       |
| C 6510                  | CHIP CAP.             | 0.01uF  | 50V | B    | GRM40B103M50PT  | K22170817 |       |
| C 6511                  | CHIP CAP.             | 0.01uF  | 50V | B    | GRM40B103M50PT  | K22170817 |       |
| C 6512                  | CHIP CAP.             | 0.01uF  | 50V | B    | GRM40B103M50PT  | K22170817 |       |
| C 6513                  | CHIP CAP.             | 0.047uF | 50V | F    | GRM40F473Z50PT  | K22171008 |       |
| C 6514                  | CHIP CAP.             | 0.01uF  | 50V | B    | GRM40B103M50PT  | K22170817 |       |
| C 6515                  | CHIP CAP.             | 0.01uF  | 50V | B    | GRM40B103M50PT  | K22170817 |       |
| C 6516                  | CHIP CAP.             | 0.01uF  | 50V | B    | GRM40B103M50PT  | K22170817 |       |
| C 6517                  | CHIP CAP.             | 0.047uF | 50V | F    | GRM40F473Z50PT  | K22171008 |       |
| C 6518                  | CHIP CAP.             | 0.01uF  | 50V | B    | GRM40B103M50PT  | K22170817 |       |
| C 6519                  | CHIP CAP.             | 0.1uF   | 25V | B    | GRM40B104M25PT  | K22140811 |       |
| C 6520                  | CHIP CAP.             | 0.01uF  | 50V | B    | GRM40B103M50PT  | K22170817 |       |
| C 6521                  | CHIP CAP.             | 0.01uF  | 50V | B    | GRM40B103M50PT  | K22170817 |       |
| C 6522                  | CHIP CAP.             | 0.01uF  | 50V | B    | GRM40B103M50PT  | K22170817 |       |
| C 6523                  | CHIP CAP.             | 0.01uF  | 50V | B    | GRM40B103M50PT  | K22170817 |       |
| C 6524                  | CHIP CAP.             | 0.01uF  | 50V | B    | GRM40B103M50PT  | K22170817 |       |
| C 6525                  | CHIP CAP.             | 0.01uF  | 50V | B    | GRM40B103M50PT  | K22170817 |       |
| C 6526                  | CHIP CAP.             | 0.01uF  | 50V | B    | GRM40B103M50PT  | K22170817 |       |
| C 6527                  | CHIP CAP.             | 0.01uF  | 50V | B    | GRM40B103M50PT  | K22170817 |       |
| C 6528                  | CHIP CAP.             | 0.047uF | 50V | F    | GRM40F473Z50PT  | K22171008 |       |
| C 6529                  | CHIP CAP.             | 0.047uF | 50V | F    | GRM40F473Z50PT  | K22171008 |       |
| C 6530                  | CHIP CAP.             | 0.01uF  | 50V | B    | GRM40B103M50PT  | K22170817 |       |
| C 6531                  | CHIP CAP.             | 0.047uF | 50V | F    | GRM40F473Z50PT  | K22171008 |       |
| C 6532                  | TANTALUM CHIP CAP.    | 1uF     | 16V |      | TESVA1C105M1-8R | K78120009 |       |
| C 6533                  | CHIP CAP.             | 0.01uF  | 50V | B    | GRM40B103M50PT  | K22170817 |       |
| C 6534                  | CHIP CAP.             | 0.01uF  | 50V | B    | GRM40B103M50PT  | K22170817 |       |
| C 6535                  | CHIP CAP.             | 0.01uF  | 50V | B    | GRM40B103M50PT  | K22170817 |       |
| C 6536                  | CHIP CAP.             | 0.01uF  | 50V | B    | GRM40B103M50PT  | K22170817 |       |
| C 6537                  | CHIP CAP.             | 0.01uF  | 50V | B    | GRM40B103M50PT  | K22170817 |       |
| C 6538                  | CHIP CAP.             | 0.01uF  | 50V | B    | GRM40B103M50PT  | K22170817 |       |
| C 6539                  | CHIP CAP.             | 0.01uF  | 50V | B    | GRM40B103M50PT  | K22170817 |       |
| C 6540                  | CHIP CAP.             | 0.01uF  | 50V | B    | GRM40B103M50PT  | K22170817 |       |
| C 6541                  | CHIP CAP.             | 0.01uF  | 50V | B    | GRM40B103M50PT  | K22170817 |       |
| C 6542                  | AL. ELECTRO. CAP.     | 100uF   | 10V |      | RC2-10V101M     | K40109015 |       |
| C 6543                  | CHIP CAP.             | 0.047uF | 50V | F    | GRM40F473Z50PT  | K22171008 |       |
| C 6544                  | CHIP CAP.             | 0.01uF  | 50V | B    | GRM40B103M50PT  | K22170817 |       |
| C 6545                  | CHIP CAP.             | 0.047uF | 50V | F    | GRM40F473Z50PT  | K22171008 |       |
| C 6546                  | CHIP CAP.             | 0.01uF  | 50V | B    | GRM40B103M50PT  | K22170817 |       |
| C 6547                  | CHIP CAP.             | 0.1uF   | 25V | B    | GRM40B104M25PT  | K22140811 |       |

# FC-10 (option)

| REF.   | MFGR'S DESIG       | VALUE    | WV   | TOL. | DESCRIPTION     | YAESU P/N | VERS. |
|--------|--------------------|----------|------|------|-----------------|-----------|-------|
| C 6548 | CHIP CAP.          | 0.1uF    | 25V  | B    | GRM40B104M25PT  | K22140811 |       |
| C 6549 | CHIP CAP.          | 0.1uF    | 25V  | B    | GRM40B104M25PT  | K22140811 |       |
| C 6550 | CHIP CAP.          | 0.01uF   | 50V  | B    | GRM40B103M50PT  | K22170817 |       |
| C 6551 | CHIP CAP.          | 0.01uF   | 50V  | B    | GRM40B103M50PT  | K22170817 |       |
| C 6552 | CHIP CAP.          | 0.01uF   | 50V  | B    | GRM40B103M50PT  | K22170817 |       |
| C 6553 | CHIP CAP.          | 0.01uF   | 50V  | B    | GRM40B103M50PT  | K22170817 |       |
| C 6554 | CHIP CAP.          | 0.01uF   | 50V  | B    | GRM40B103M50PT  | K22170817 |       |
| C 6555 | CHIP CAP.          | 0.01uF   | 50V  | B    | GRM40B103M50PT  | K22170817 |       |
| C 6556 | CHIP CAP.          | 0.0022uF | 50V  | B    | GRM40B222M50PT  | K22170809 |       |
| C 6557 | CHIP CAP.          | 0.01uF   | 50V  | B    | GRM40B103M50PT  | K22170817 |       |
| C 6558 | CHIP CAP.          | 0.01uF   | 50V  | B    | GRM40B103M50PT  | K22170817 |       |
| C 6559 | TANTALUM CHIP CAP. | 0.47uF   | 25V  |      | TESVA1E474M1-8R | K78140009 |       |
| C 6560 | CHIP CAP.          | 0.01uF   | 50V  | B    | GRM40B103M50PT  | K22170817 |       |
| C 6561 | CHIP CAP.          | 0.01uF   | 50V  | B    | GRM40B103M50PT  | K22170817 |       |
| C 6562 | CHIP CAP.          | 0.01uF   | 50V  | B    | GRM40B103M50PT  | K22170817 |       |
| C 6563 | CHIP CAP.          | 0.01uF   | 50V  | B    | GRM40B103M50PT  | K22170817 |       |
| C 6564 | CHIP CAP.          | 0.01uF   | 50V  | B    | GRM40B103M50PT  | K22170817 |       |
| C 6565 | CHIP CAP.          | 0.01uF   | 50V  | B    | GRM40B103M50PT  | K22170817 |       |
| C 6566 | CHIP CAP.          | 0.01uF   | 50V  | B    | GRM40B103M50PT  | K22170817 |       |
| C 6567 | CHIP CAP.          | 0.01uF   | 50V  | B    | GRM40B103M50PT  | K22170817 |       |
| C 6568 | CHIP CAP.          | 0.01uF   | 50V  | B    | GRM40B103M50PT  | K22170817 |       |
| C 6569 | CHIP CAP.          | 0.01uF   | 50V  | B    | GRM40B103M50PT  | K22170817 |       |
| C 6570 | CHIP CAP.          | 33pF     | 50V  | RH   | GRM40RH330J50PT | K22170523 |       |
| C 6571 | CHIP CAP.          | 33pF     | 50V  | RH   | GRM40RH330J50PT | K22170523 |       |
| C 6573 | CHIP CAP.          | 0.047uF  | 50V  | F    | GRM40F473Z50PT  | K22171008 |       |
| C 6574 | AL. ELECTRO. CAP.  | 330uF    | 16V  |      | RE2-16V331M     | K40129043 |       |
| C 6575 | CHIP CAP.          | 0.01uF   | 50V  | B    | GRM40B103M50PT  | K22170817 |       |
| C 6576 | CHIP CAP.          | 0.01uF   | 50V  | B    | GRM40B103M50PT  | K22170817 |       |
| C 6577 | AL. ELECTRO. CAP.  | 10uF     | 50V  |      | RE2-50V100M     | K40179041 |       |
| C 6578 | CHIP CAP.          | 0.047uF  | 50V  | F    | GRM40F473Z50PT  | K22171008 |       |
| C 6579 | AL. ELECTRO. CAP.  | 10uF     | 50V  |      | RE2-50V100M     | K40179041 |       |
| C 6580 | CHIP CAP.          | 0.047uF  | 50V  | F    | GRM40F473Z50PT  | K22171008 |       |
| C 6581 | AL. ELECTRO. CAP.  | 10uF     | 16V  |      | RC2-16V100M     | K40129012 |       |
| C 6582 | CHIP CAP.          | 0.047uF  | 50V  | F    | GRM40F473Z50PT  | K22171008 |       |
| C 6583 | AL. ELECTRO. CAP.  | 10uF     | 16V  |      | RC2-16V100M     | K40129012 |       |
| C 6584 | CHIP CAP.          | 0.047uF  | 50V  | F    | GRM40F473Z50PT  | K22171008 |       |
| C 6585 | CHIP CAP.          | 0.047uF  | 50V  | F    | GRM40F473Z50PT  | K22171008 |       |
| C 6586 | CHIP CAP.          | 0.01uF   | 50V  | B    | GRM40B103M50PT  | K22170817 |       |
| C 6587 | AL. ELECTRO. CAP.  | 100uF    | 10V  |      | RC2-10V101M     | K40109015 |       |
| C 6588 | CHIP CAP.          | 0.01uF   | 50V  | B    | GRM40B103M50PT  | K22170817 |       |
| C 6589 | TANTALUM CHIP CAP. | 22uF     | 6.3V |      | TESVCOJ226M12R  | K78080011 |       |
| C 6590 | CHIP CAP.          | 0.01uF   | 50V  | B    | GRM40B103M50PT  | K22170817 |       |
| C06501 | CERAMIC OSC        |          |      |      | CSA8.00MT       | H7900580  |       |
| D 6501 | DIODE              |          |      |      | 1SS101          | G2090223  |       |
| D 6502 | DIODE              |          |      |      | 1SS101          | G2090223  |       |
| D 6503 | DIODE              |          |      |      | RD4.7EB2-T1     | G2060006  |       |
| D 6504 | DIODE              |          |      |      | 1SS270TJ        | G2060004  |       |
| D 6505 | DIODE              |          |      |      | 1SS270TJ        | G2060004  |       |
| D 6506 | DIODE              |          |      |      | 1SS97           | G2090118  |       |
| D 6508 | DIODE              |          |      |      | HSM2838-TR      | G2070108  |       |
| D 6509 | DIODE              |          |      |      | 1SS97           | G2090118  |       |



# FC-10 (option)

| REF.   | MFGR'S DESIG       | VALUE | WV | TOL. | DESCRIPTION       | YAESU P/N | VERS. |
|--------|--------------------|-------|----|------|-------------------|-----------|-------|
| D 6510 | DIODE              |       |    |      | 1SS270TJ          | G2060004  |       |
| D 6511 | DIODE              |       |    |      | 1SS270TJ          | G2060004  |       |
| D 6512 | DIODE              |       |    |      | 1SS270TJ          | G2060004  |       |
| D 6513 | DIODE              |       |    |      | 1SS270TJ          | G2060004  |       |
| D 6514 | DIODE              |       |    |      | 1SS270TJ          | G2060004  |       |
| D 6515 | DIODE              |       |    |      | 1SS97             | G2090118  |       |
| D 6516 | DIODE              |       |    |      | 1SS270TJ          | G2060004  |       |
| D 6517 | DIODE              |       |    |      | 1SS270TJ          | G2060004  |       |
| D 6520 | DIODE              |       |    |      | 1SS270TJ          | G2060004  |       |
|        |                    |       |    |      |                   |           |       |
| J 6501 | CONNECTOR          |       |    |      | TMP-J01X-V6       | P1090210  |       |
| J 6502 | CONNECTOR          |       |    |      | TMP-J01X-V6       | P1090210  |       |
| J 6503 | CONNECTOR          |       |    |      | SC25-08WS         | P0090627  |       |
| J 6504 | CONNECTOR          |       |    |      | SC25-04WS         | P0090623  |       |
| J 6505 | CONNECTOR          |       |    |      | SC25-05WS         | P0090624  |       |
| J 6506 | CONNECTOR          |       |    |      | SC25-06WS         | P0090625  |       |
| J 6507 | CONNECTOR          |       |    |      | SC25-08WS         | P0090627  |       |
| J 6508 | CONNECTOR          |       |    |      | 3022-04B          | P0090523  |       |
| J 6510 | CONNECTOR          |       |    |      | TMP-J01X-V6       | P1090210  |       |
|        |                    |       |    |      |                   |           |       |
| JP6501 | WIRE-ASSY          |       |    |      |                   | T9206156A |       |
| JP6502 | WIRE-ASSY          |       |    |      |                   | T9317880  |       |
| JP6503 | TMP-PLUG WIRE-ASSY |       |    |      |                   | T9315911A |       |
|        |                    |       |    |      |                   |           |       |
| L 6501 | COIL               |       |    |      | U 2001F FR9.5     | L0021955  |       |
| L 6502 | M. RFC             | 1mH   |    |      | LAL04NA102K       | L1190090  |       |
| L 6503 | M. RFC             | 100uH |    |      | LAL03TA101K       | L1790107  |       |
| L 6504 | M. RFC             | 100uH |    |      | LAL03TA101K       | L1790107  |       |
|        |                    |       |    |      |                   |           |       |
| MO6501 | MOTOR POT.         | 50K   |    | B    | RK16312MA         | Q9000563  |       |
| MO6502 | MOTOR POT.         | 50K   |    | B    | RK16312MA         | Q9000563  |       |
|        |                    |       |    |      |                   |           |       |
| Q 6501 | FET                |       |    |      | 2SK104J           | G3801040J |       |
| Q 6502 | FET                |       |    |      | 2SK104J           | G3801040J |       |
| Q 6503 | TRANSISTOR         |       |    |      | 2SC2901L          | G3329010L |       |
| Q 6504 | TRANSISTOR         |       |    |      | 2SC2901L          | G3329010L |       |
| Q 6505 | IC                 |       |    |      | HD74AC00FP-TR     | G1091226  |       |
| Q 6506 | IC                 |       |    |      | HD74AC74FP-TR     | G1091225  |       |
| Q 6507 | TRANSISTOR         |       |    |      | 2SC2712GR TE85R   | G3327127G |       |
| Q 6508 | IC                 |       |    |      | NJM2904M-T2       | G1091374  |       |
| Q 6509 | IC                 |       |    |      | NJM2902M-T2       | G1090908  |       |
| Q 6510 | FET                |       |    |      | 2SK160-T2B K5     | G3801607E |       |
| Q 6511 | FET                |       |    |      | 2SK160-T2B K5     | G3801607E |       |
| Q 6512 | TRANSISTOR         |       |    |      | 2SA1235-T12-2E    | G3112357E |       |
| Q 6513 | IC                 |       |    |      | NJM2903M T2       | G1091073  |       |
| Q 6514 | IC                 |       |    |      | NJM78L05UA TE2    | G1091325  |       |
| Q 6515 | TRANSISTOR         |       |    |      | 2SC2712GR TE85R   | G3327127G |       |
| Q 6516 | TRANSISTOR         |       |    |      | FA1A4M-T2B        | G3070001  |       |
| Q 6517 | IC                 |       |    |      | M37450M4-634FP    | G1091601  |       |
| Q 6519 | TRANSISTOR         |       |    |      | FA1A4P-T2B        | G3070006  |       |
| Q 6520 | IC                 |       |    |      | UPC7808H          | G1090294  |       |
| Q 6521 | IC                 |       |    |      | MB3763PF-G-BND-TF | G1091224  |       |
| Q 6522 | IC                 |       |    |      | MB3763PF-G-BND-TF | G1091224  |       |

# FC-10 (option)

| REF.   | MFGR'S DESIG     | VALUE | WV    | TOL. | DESCRIPTION   | YAESU P/N | VERS. |
|--------|------------------|-------|-------|------|---------------|-----------|-------|
| R 6501 | CHIP RES.        | 10K   | 1/10W | 5%   | RMC1/10T 103J | J24205103 |       |
| R 6502 | CARBPM FILM RES. | 24    | 1/2W  | 5%   | RD12TJ240     | J01275240 |       |
| R 6503 | CHIP RES.        | 10K   | 1/10W | 5%   | RMC1/10T 103J | J24205103 |       |
| R 6504 | CHIP RES.        | 100K  | 1/10W | 5%   | RMC1/10T 104J | J24205104 |       |
| R 6505 | CHIP RES.        | 47    | 1/10W | 5%   | RMC1/10T 470J | J24205470 |       |
| R 6506 | CHIP RES.        | 100K  | 1/10W | 5%   | RMC1/10T 104J | J24205104 |       |
| R 6507 | CHIP RES.        | 1.5K  | 1/10W | 5%   | RMC1/10T 152J | J24205152 |       |
| R 6508 | CHIP RES.        | 1.5K  | 1/10W | 5%   | RMC1/10T 152J | J24205152 |       |
| R 6509 | CHIP RES.        | 33K   | 1/10W | 5%   | RMC1/10T 333J | J24205333 |       |
| R 6510 | CHIP RES.        | 1K    | 1/10W | 5%   | RMC1/10T 102J | J24205102 |       |
| R 6511 | CHIP RES.        | 33K   | 1/10W | 5%   | RMC1/10T 333J | J24205333 |       |
| R 6512 | CHIP RES.        | 1.5K  | 1/10W | 5%   | RMC1/10T 152J | J24205152 |       |
| R 6513 | CHIP RES.        | 1.5K  | 1/10W | 5%   | RMC1/10T 152J | J24205152 |       |
| R 6514 | CHIP RES.        | 100K  | 1/10W | 5%   | RMC1/10T 104J | J24205104 |       |
| R 6515 | CHIP RES.        | 100K  | 1/10W | 5%   | RMC1/10T 104J | J24205104 |       |
| R 6516 | CHIP RES.        | 47K   | 1/10W | 5%   | RMC1/10T 473J | J24205473 |       |
| R 6517 | CHIP RES.        | 47K   | 1/10W | 5%   | RMC1/10T 473J | J24205473 |       |
| R 6518 | CHIP RES.        | 1K    | 1/10W | 5%   | RMC1/10T 102J | J24205102 |       |
| R 6519 | CHIP RES.        | 1K    | 1/10W | 5%   | RMC1/10T 102J | J24205102 |       |
| R 6520 | CHIP RES.        | 100K  | 1/10W | 5%   | RMC1/10T 104J | J24205104 |       |
| R 6521 | CHIP RES.        | 100K  | 1/10W | 5%   | RMC1/10T 104J | J24205104 |       |
| R 6522 | CHIP RES.        | 1K    | 1/10W | 5%   | RMC1/10T 102J | J24205102 |       |
| R 6523 | CHIP RES.        | 1K    | 1/10W | 5%   | RMC1/10T 102J | J24205102 |       |
| R 6524 | CHIP RES.        | 10K   | 1/10W | 5%   | RMC1/10T 103J | J24205103 |       |
| R 6525 | CHIP RES.        | 10K   | 1/10W | 5%   | RMC1/10T 103J | J24205103 |       |
| R 6526 | CHIP RES.        | 10K   | 1/10W | 5%   | RMC1/10T 103J | J24205103 |       |
| R 6527 | CHIP RES.        | 100K  | 1/10W | 5%   | RMC1/10T 104J | J24205104 |       |
| R 6528 | CHIP RES.        | 220K  | 1/10W | 5%   | RMC1/10T 224J | J24205224 |       |
| R 6529 | CHIP RES.        | 100K  | 1/10W | 5%   | RMC1/10T 104J | J24205104 |       |
| R 6530 | CHIP RES.        | 220K  | 1/10W | 5%   | RMC1/10T 224J | J24205224 |       |
| R 6531 | CHIP RES.        | 1K    | 1/10W | 5%   | RMC1/10T 102J | J24205102 |       |
| R 6532 | CHIP RES.        | 1K    | 1/10W | 5%   | RMC1/10T 102J | J24205102 |       |
| R 6533 | CHIP RES.        | 100K  | 1/10W | 5%   | RMC1/10T 104J | J24205104 |       |
| R 6534 | CHIP RES.        | 1M    | 1/10W | 5%   | RMC1/10T 105J | J24205105 |       |
| R 6535 | CHIP RES.        | 220K  | 1/10W | 5%   | RMC1/10T 224J | J24205224 |       |
| R 6536 | CHIP RES.        | 100K  | 1/10W | 5%   | RMC1/10T 104J | J24205104 |       |
| R 6537 | CHIP RES.        | 10K   | 1/10W | 5%   | RMC1/10T 103J | J24205103 |       |
| R 6538 | CHIP RES.        | 47K   | 1/10W | 5%   | RMC1/10T 473J | J24205473 |       |
| R 6539 | CHIP RES.        | 4.7K  | 1/10W | 5%   | RMC1/10T 472J | J24205472 |       |
| R 6540 | CHIP RES.        | 2.2M  | 1/10W | 5%   | RMC1/10T 225J | J24205225 |       |
| R 6541 | CHIP RES.        | 47K   | 1/10W | 5%   | RMC1/10T 473J | J24205473 |       |
| R 6542 | CHIP RES.        | 1M    | 1/10W | 5%   | RMC1/10T 105J | J24205105 |       |
| R 6543 | CHIP RES.        | 220K  | 1/10W | 5%   | RMC1/10T 224J | J24205224 |       |
| R 6544 | CHIP RES.        | 100K  | 1/10W | 5%   | RMC1/10T 104J | J24205104 |       |
| R 6545 | CHIP RES.        | 10K   | 1/10W | 5%   | RMC1/10T 103J | J24205103 |       |
| R 6546 | CHIP RES.        | 4.7K  | 1/10W | 5%   | RMC1/10T 472J | J24205472 |       |
| R 6547 | CHIP RES.        | 47K   | 1/10W | 5%   | RMC1/10T 473J | J24205473 |       |
| R 6548 | CHIP RES.        | 10K   | 1/10W | 5%   | RMC1/10T 103J | J24205103 |       |
| R 6549 | CHIP RES.        | 2.2M  | 1/10W | 5%   | RMC1/10T 225J | J24205225 |       |
| R 6550 | CHIP RES.        | 10K   | 1/10W | 5%   | RMC1/10T 103J | J24205103 |       |
| R 6551 | CHIP RES.        | 33K   | 1/10W | 5%   | RMC1/10T 333J | J24205333 |       |
| R 6552 | CHIP RES.        | 10K   | 1/10W | 5%   | RMC1/10T 103J | J24205103 |       |

# FC-10 (option)

| REF.   | MFGR'S DESIG | VALUE | WV    | TOL. | DESCRIPTION    | YAESU P/N | VERS. |
|--------|--------------|-------|-------|------|----------------|-----------|-------|
| R 6553 | CHIP RES.    | 22K   | 1/10W | 5%   | RMC1/10T 223J  | J24205223 |       |
| R 6554 | CHIP RES.    | 10K   | 1/10W | 5%   | RMC1/10T 103J  | J24205103 |       |
| R 6555 | CHIP RES.    | 1K    | 1/10W | 5%   | RMC1/10T 102J  | J24205102 |       |
| R 6556 | CHIP RES.    | 1K    | 1/10W | 5%   | RMC1/10T 102J  | J24205102 |       |
| R 6557 | CHIP RES.    | 1K    | 1/10W | 5%   | RMC1/10T 102J  | J24205102 |       |
| R 6558 | CHIP RES.    | 1K    | 1/10W | 5%   | RMC1/10T 102J  | J24205102 |       |
| R 6559 | CHIP RES.    | 1K    | 1/10W | 5%   | RMC1/10T 102J  | J24205102 |       |
| R 6560 | CHIP RES.    | 1K    | 1/10W | 5%   | RMC1/10T 102J  | J24205102 |       |
| R 6561 | CHIP RES.    | 1K    | 1/10W | 5%   | RMC1/10T 102J  | J24205102 |       |
| R 6562 | CHIP RES.    | 100K  | 1/10W | 5%   | RMC1/10T 104J  | J24205104 |       |
| R 6563 | CHIP RES.    | 100K  | 1/10W | 5%   | RMC1/10T 104J  | J24205104 |       |
| R 6564 | CHIP RES.    | 10K   | 1/10W | 5%   | RMC1/10T 103J  | J24205103 |       |
| R 6565 | CHIP RES.    | 10K   | 1/10W | 5%   | RMC1/10T 103J  | J24205103 |       |
| R 6566 | CHIP RES.    | 100K  | 1/10W | 5%   | RMC1/10T 104J  | J24205104 |       |
| R 6567 | CHIP RES.    | 100K  | 1/10W | 5%   | RMC1/10T 104J  | J24205104 |       |
| R 6568 | CHIP RES.    | 100K  | 1/10W | 5%   | RMC1/10T 104J  | J24205104 |       |
| R 6569 | CHIP RES.    | 100K  | 1/10W | 5%   | RMC1/10T 104J  | J24205104 |       |
| R 6570 | CHIP RES.    | 4.7K  | 1/10W | 5%   | RMC1/10T 472J  | J24205472 |       |
| R 6571 | CHIP RES.    | 100K  | 1/10W | 5%   | RMC1/10T 104J  | J24205104 |       |
| R 6572 | CHIP RES.    | 100K  | 1/10W | 5%   | RMC1/10T 104J  | J24205104 |       |
| R 6573 | CHIP RES.    | 100K  | 1/10W | 5%   | RMC1/10T 104J  | J24205104 |       |
| R 6574 | CHIP RES.    | 100K  | 1/10W | 5%   | RMC1/10T 104J  | J24205104 |       |
| R 6575 | CHIP RES.    | 100K  | 1/10W | 5%   | RMC1/10T 104J  | J24205104 |       |
| R 6576 | CHIP RES.    | 100K  | 1/10W | 5%   | RMC1/10T 104J  | J24205104 |       |
| R 6577 | CHIP RES.    | 100K  | 1/10W | 5%   | RMC1/10T 104J  | J24205104 |       |
| R 6578 | CHIP RES.    | 10K   | 1/10W | 5%   | RMC1/10T 103J  | J24205103 |       |
| R 6580 | CHIP RES.    | 10K   | 1/10W | 5%   | RMC1/10T 103J  | J24205103 |       |
| R 6581 | CHIP RES.    | 1K    | 1/10W | 5%   | RMC1/10T 102J  | J24205102 |       |
| R 6587 | CHIP RES.    | 4.7K  | 1/10W | 5%   | RMC1/10T 472J  | J24205472 |       |
| R 6588 | CHIP RES.    | 1M    | 1/10W | 5%   | RMC1/10T 105J  | J24205105 |       |
| R 6589 | CHIP RES.    | 1K    | 1/10W | 5%   | RMC1/10T 102J  | J24205102 |       |
| R 6590 | CHIP RES.    | 1K    | 1/10W | 5%   | RMC1/10T 102J  | J24205102 |       |
| R 6591 | CHIP RES.    | 1K    | 1/10W | 5%   | RMC1/10T 102J  | J24205102 |       |
| R 6592 | CHIP RES.    | 1K    | 1/10W | 5%   | RMC1/10T 102J  | J24205102 |       |
| R 6593 | CHIP RES.    | 1K    | 1/10W | 5%   | RMC1/10T 102J  | J24205102 |       |
| R 6594 | CHIP RES.    | 1K    | 1/10W | 5%   | RMC1/10T 102J  | J24205102 |       |
| R 6595 | CHIP RES.    | 1K    | 1/10W | 5%   | RMC1/10T 102J  | J24205102 |       |
| R 6596 | CHIP RES.    | 1K    | 1/10W | 5%   | RMC1/10T 102J  | J24205102 |       |
| R 6597 | CHIP RES.    | 1K    | 1/10W | 5%   | RMC1/10T 102J  | J24205102 |       |
| R 6598 | CHIP RES.    | 1K    | 1/10W | 5%   | RMC1/10T 102J  | J24205102 |       |
| R 6599 | CHIP RES.    | 180   | 1/10W | 5%   | RMC1/10T 181J  | J24205181 |       |
| R 6600 | CHIP RES.    | 100K  | 1/10W | 5%   | RMC1/10T 104J  | J24205104 |       |
| R 6601 | CHIP RES.    | 1K    | 1/10W | 5%   | RMC1/10T 102J  | J24205102 |       |
| R 6602 | CHIP RES.    | 100K  | 1/10W | 5%   | RMC1/10T 104J  | J24205104 |       |
| R 6603 | CHIP RES.    | 10K   | 1/10W | 5%   | RMC1/10T 103J  | J24205103 |       |
| TC6501 | TRIMMER CAP. | 10pF  |       |      | ECV1ZW10X32    | K91000012 |       |
| TP6501 | TP-E/        |       |       |      | MS-60124       | Q5000016  |       |
| TP6502 | TP-E/        |       |       |      | MS-60124       | Q5000016  |       |
| VR6501 | POT.         | 47K   |       | B    | H0651A017-47KB | J51745473 |       |

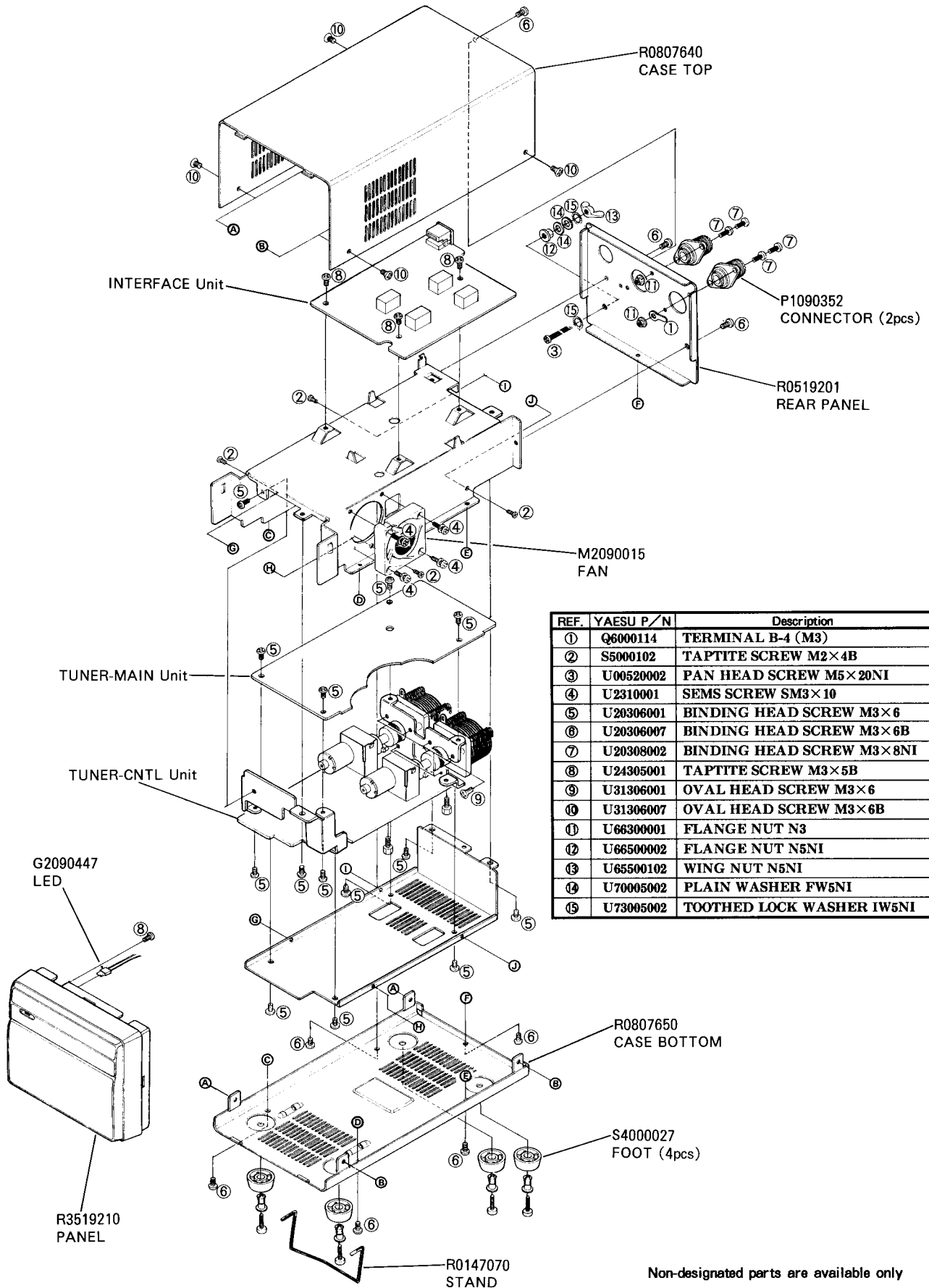
# FC-10 (option)

---

| REF. | MFGR'S DESIG           | VALUE | WV | TOL. | DESCRIPTION | YAESU P/N | VERS. |
|------|------------------------|-------|----|------|-------------|-----------|-------|
|      | FITTING VC             |       |    |      |             | R0140880  |       |
|      | SHIELD PLATE           |       |    |      |             | R0516730B |       |
|      | SCREW (2pcs)           |       |    |      |             | R6141870  |       |
|      | UNIVERSAL JOINT (2pcs) |       |    |      | 116-4       | S1000003  |       |
|      | WIRE BIND              |       |    |      | PLT-1M BK-1 | S3000022  |       |
|      | MINI CLAMP (2pcs)      |       |    |      | MN-2        | S6000293  |       |

# FC-10 (option)

## Exploded View



| REF. | YAESU P/N | Description               | Qty. |
|------|-----------|---------------------------|------|
| ①    | Q6000114  | TERMINAL B-4 (M3)         | 2    |
| ②    | S5000102  | TAPTITE SCREW M2×4B       | 4    |
| ③    | U00520002 | PAN HEAD SCREW M5×20NI    | 1    |
| ④    | U2310001  | SEMS SCREW SM3×10         | 4    |
| ⑤    | U20306001 | BINDING HEAD SCREW M3×6   | 14   |
| ⑥    | U20306007 | BINDING HEAD SCREW M3×6B  | 8    |
| ⑦    | U20308002 | BINDING HEAD SCREW M3×8NI | 4    |
| ⑧    | U24305001 | TAPTITE SCREW M3×5B       | 4    |
| ⑨    | U31306001 | OVAL HEAD SCREW M3×6      | 6    |
| ⑩    | U31306007 | OVAL HEAD SCREW M3×6B     | 4    |
| ⑪    | U66300001 | FLANGE NUT N3             | 2    |
| ⑫    | U66500002 | FLANGE NUT N5NI           | 1    |
| ⑬    | U65500102 | WING NUT N5NI             | 1    |
| ⑭    | U70005002 | PLAIN WASHER FW5NI        | 2    |
| ⑮    | U73005002 | TOOTHED LOCK WASHER IW5NI | 2    |

Non-designated parts are available only as part of a designated assembly.