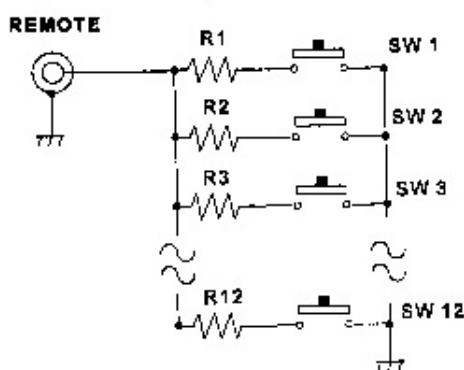


Remote Control Operation

Introduction

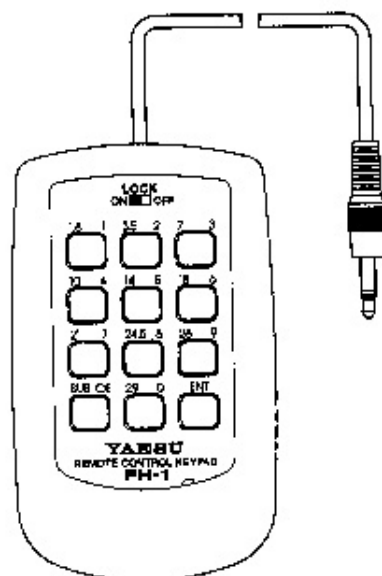
You can select and activate various transceiver functions via the optional FH-1 Remote Control Keypad (available from your Yaesu dealer) connected to the REMOTE jack on the rear panel of the transceiver. A remote-control keypad may also be built at home, utilizing the diagram and resistance/voltage chart below. When constructing your own keypad, use 0.5%, E96 (precision metal film) resistors so as to ensure that the precise voltages specified are generated.



Remote Control Circuit

Remote control operation is provided by reading a voltage across a ladder resistor network in the keypad matrix as a key is pressed. Twelve distinct, precise voltages are used to activate the twelve available functions. The voltage chart below documents the required voltage for the corresponding key closure on the keypad.

Remote Control Voltage Level		
Key	Voltage Level	Resistor Value (Ω)
1	0.78 V	866
2	1.10 V	1330
3	1.40 V	1820
4	1.73 V	2490
5	2.04 V	3240
6	2.34 V	4120
7	2.66 V	5360
8	2.96 V	6810
9	3.27 V	8870
10	3.59 V	12000
11	3.91 V	16900
12	4.22 V	25550



Four transceiver remote control features are available via Menu Selection 7-9. Once the desired remote control operating mode is selected, pressing a key activates one of the functions available in that operating mode; the function activated by a key closure might be a CW message playback, a contest number being incremented upward, or a front panel function being duplicated.

The four remote control features available are:

- I. Contest Memory Keyer** - the recording and playback of repetitive contest messages are accomplished via the keypad.
- II. VFO/Memory Function Control** - in this mode, the remote control keypad duplicates the front panel keys that relate to VFO/Memory selection and programming.
- III. Main VFO-A Control** - In this mode, the remote control keypad duplicates the functions of the front panel BAND keypad (keys \boxed{F} ~ $\boxed{9}$, plus \boxed{M} and \boxed{R}) as applied to VFO-A.
- IV. Sub VFO B** - same as above, except keypad inputs are applied to VFO-B.

The features and programming techniques for the remote control features are discussed below, beginning with the contest memory keyer.

I. Contest Keyer Control

The FT-1000MP includes a contest memory keyer which includes a number of automated features which reduce operator fatigue during long hours of contest operating.