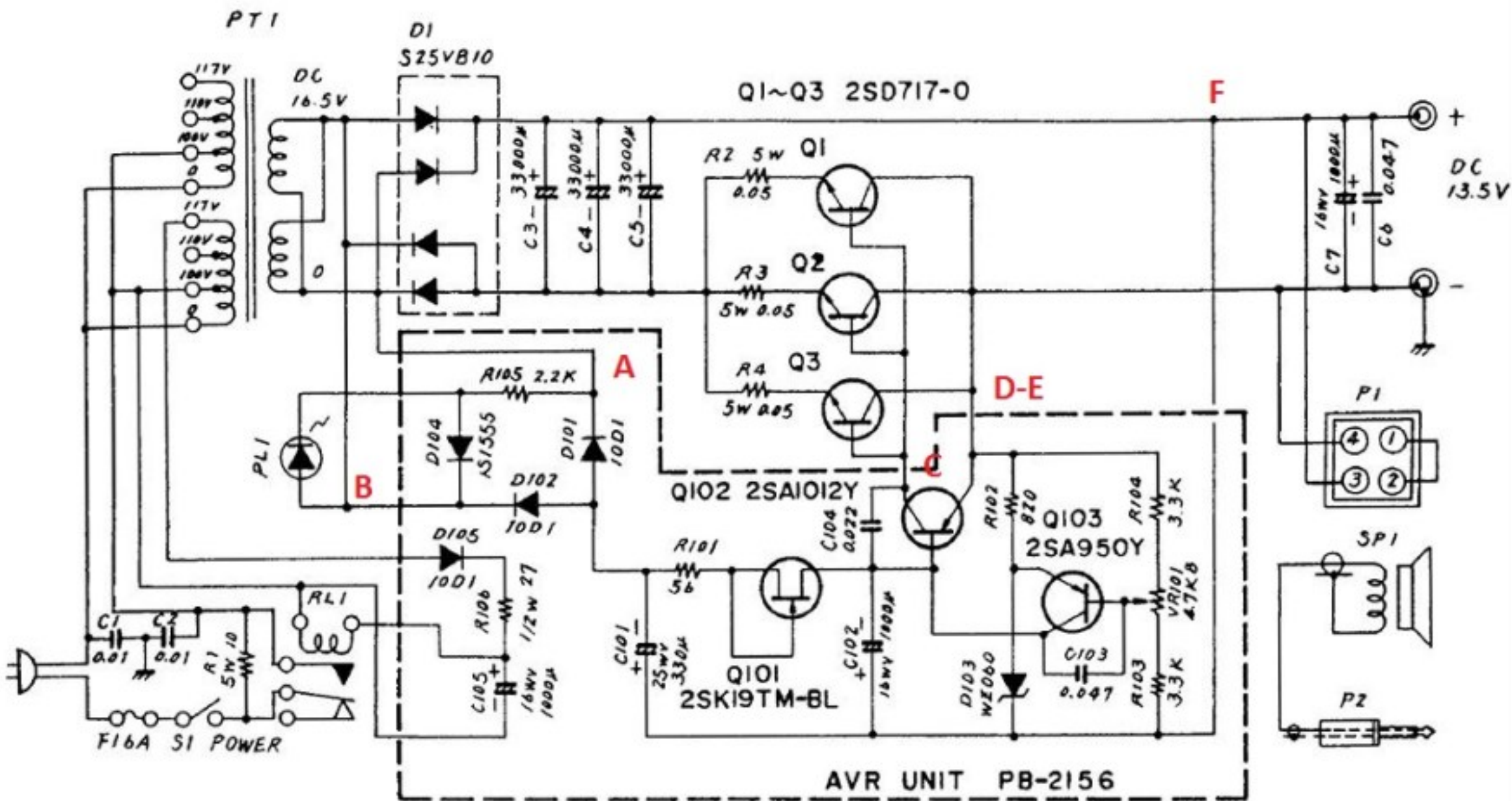


# POWER SUPPLY FP-707



FP-707 CIRCUIT DIAGRAM

