

GS-050 THRUST BEARING

The GS-050 is designed to a highly reliable single-component trust (mast/stay) bearing also enhance the safety of an antenna system.

Accepts masts up to 50-mm diameter.

The housing consists of highly corrosion-resistant diecast aluminum with a baked enamel finish.

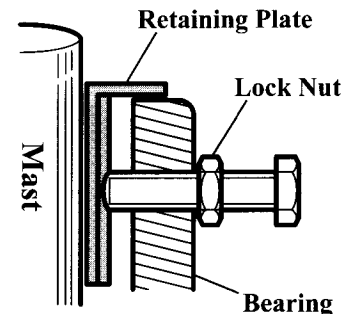
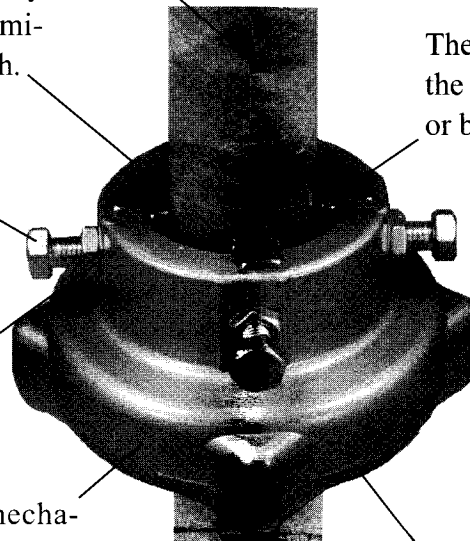
Hardened mounting bolts.

Lock nuts ensure reliable mast attachment.

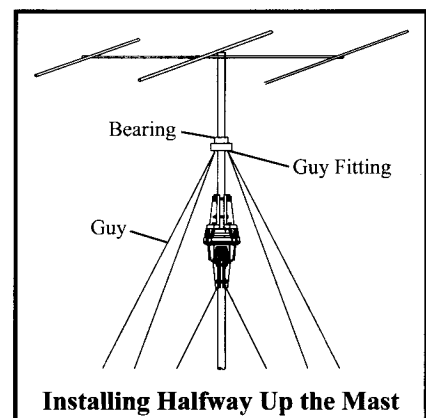
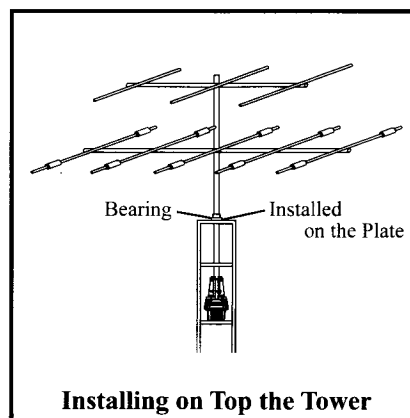
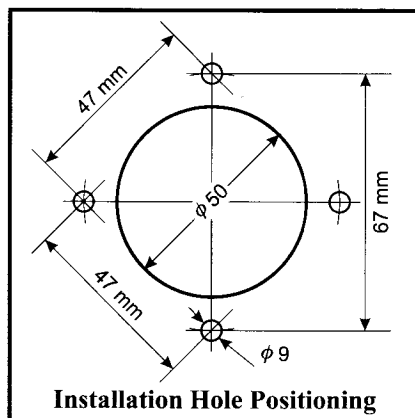
Reliable two-level bearing mechanism and metallic molybdenum grease (black) provides a practically unlimited useful life.

A retaining plate mechanism changes the nature of the contact with the mast from point to surface contact.

The result is significant reduction in the potential for the mast to break or become corroded.



Grooves for installing guy attachment fitting allow easy tightening.



YAESU MUSEN CO., LTD.
Tennozu Parkside Building
2-5-8 Higashi-Shinagawa, Shinagawa-ku, Tokyo 140-0002 Japan

YAESU USA
6125 Phyllis Drive, Cypress, CA 90630, U.S.A.

YAESU UK LTD.
Unit 12, Sun Valley Business Park, Winnall Close
Winchester, Hampshire, SO23 0LB, U.K.

YAESU HK LTD.
Unit 1306-1308, 13F., Millennium City 2, 378 Kwun Tong Road,
Kwun Tong, Kowloon, Hong Kong

Maximum Mast Diameter: 50 mm

Weight: Approx. 800 g

Material: Corrosion-resistant Diecast Aluminum

Accessories:

Guy Attachment	4 pieces
Retaining Plate	4 pieces
Hexagonal Bolts (M8 x 16)	4 pieces
Spring Washer (8 mm)	4 pieces



E00607001

IMPORTANT NOTICE

Please read this manual carefully before starting installation.

MEANING OF SYMBOLS



WARNING

Indicates Personal injury, fire hazard, or electric shock is highly likely to occur.



CAUTION

Indicates Personal injury, fire hazard, or electric shock may occur.

MEANING OF SYMBOLS USED IN DIAGRAMS



This symbol indicates an action that **must be performed** to maintain safe operation.



This symbol indicates an action that **must be avoided** to maintain safe operation.

⚠ WARNING ⚠



Please read the manual thoroughly and familiarize yourself with the correct installation procedure before starting installation.

Installing this product requires work to be undertaken high above ground. Performing work with which you are unfamiliar can lead to fatal accidents due to falling.

Similarly, failing to install this product correctly can be a cause of the antenna and associated equipment to collapse, resulting in a fatal accident or damage to buildings or other property. Accordingly, always check all safety considerations before starting work.



Always wear a safety harness when working high above ground.

Failure to use a safety harness can be a cause of death or serious injury.



Ensure that the bolts and other fasteners used for installation are tightened securely.

Failure to tighten bolts and other fasteners sufficiently can cause the antenna and associated equipment to collapse, resulting in a fatal accident or damage to buildings or other property.



When working high above ground, ensure that there are no people directly below you.



Dropping tools, bolts, or other parts could result in death or serious injury.

YAESU MUSEN CO., LTD.





IMPORTANT NOTICE



⚠ CAUTION ⚠


-  **When installing this product, take care not to pinch your fingers between parts or cut yourself on the edges of parts.**
-  **If the equipment appears abnormal, such as emitting smoke or an unusual smell, continuing to use the equipment may result in fire or malfunction.**


In such cases, turn off the power immediately and unplug from the power socket.


After checking that the equipment is no longer emitting the smoke or unusual smell, return the product to the vendor or to your nearest Vertex Standard office or service center for repair.
-  **Do not use this product with a power supply voltage other than the specified voltage.**


It may cause fire or electric shock.
-  **If a metal object is dropped into the controller, turn off the power switch immediately and disconnect the AC plug from the AC outlet.**


Continuing to use the product in this condition can result in fire or malfunction.
-  **For safety, disconnect the AC plug from the AC outlet when the controller is not being used for a long term.**
-  **Do not place the controller in an unstable position, such as on an unsteady or sloping surface.**


It may cause injury if the controller falls or tips.
-  **Do not place heavy objects on the power cable and do not excessively bend or pull the cable.**


It may cause damage to the power cable, fire, or malfunction.
-  **Do not place the controller in direct sunlight or close to heaters.**


It may deform or discolor the controller.
-  **Do not place the controller in humid or dusty environments.**

It may cause a fire or malfunction.
-  **Do not place the controller in an enclosed or poorly ventilated position, such as in a bookshelf.**

It may cause fire or faults.
-  **Do not place the controller on a carpet or a bed.**

It may cause heat to build up internally and result in a fire.
-  **Do not place heavy objects on the controller.**

It may cause injury if the controller falls or tips.
-  **Do not place small metal objects, such as paper clips, on top of the controller.**

It may cause fire or malfunction if the small metal objects fall into the controller.
-  **Do not clean the controller with solvents (such as thinner or benzene), and do not use a chemical dust cloth.**

These may deform or discolor the controller. To clean the controller, gently wipe with a dry soft cloth.