

M-90MS kit MICROPHONE STAND KIT

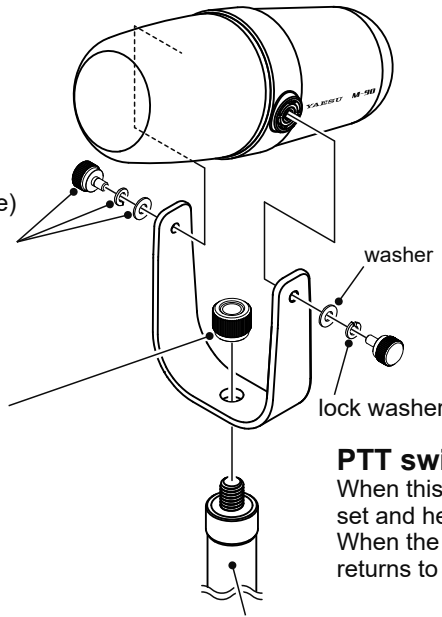
Angle adjustment Screws

Attach the microphone body at the left and right pivots with the supplied washers, lock washers, and screws.

The angle of the microphone may be adjusted by loosening the screws (turn them counterclockwise) on the left and right side of the microphone yoke. Place the microphone in the desired position and then tighten the screws (turn them clockwise) to secure the microphone.

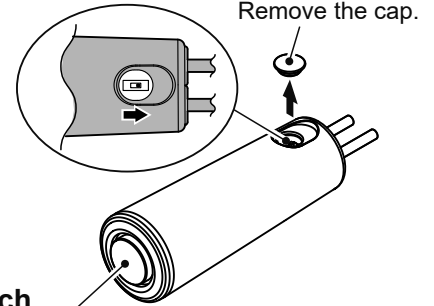
W3/8 Nut

Use the supplied nut (W3/8 Nut) to attach the yoke to a commercially available desk arm type, or floor type microphone stand*.



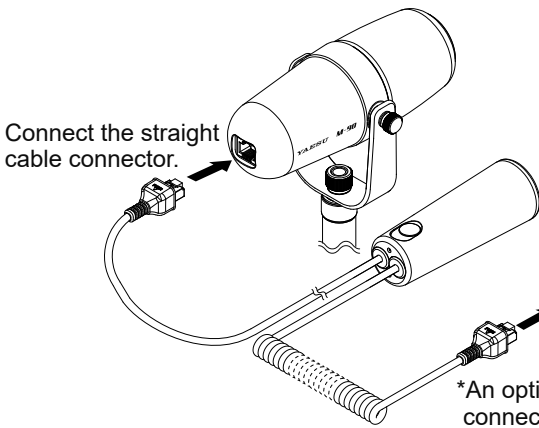
Low-Cut switch

Turns the low-cut filter (cut-off frequency 340Hz, -6dB/octave) ON or OFF. Move the switch in the direction of the arrow to activate the low-cut filter.



PTT switch

When this switch is pressed, the transmit mode is set and held. When the switch is pressed again the transceiver returns to receive mode.



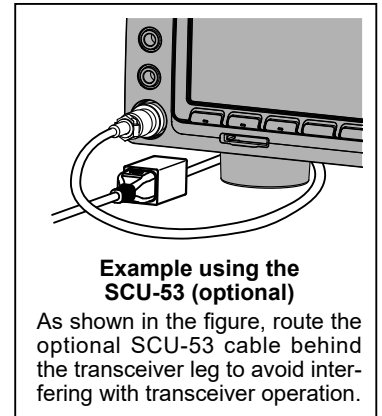
Connect the straight cable connector.

This kit requires a Commercially available microphone stand*.

*Microphone stand is not included.

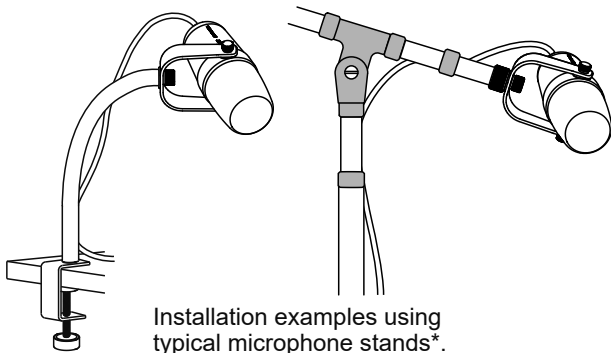
Connect to the transceiver with the 8-pin modular microphone connector.

*An optional SCU-53 cable is required when connecting the M-90MS to an HF transceiver furnished with a round 8-pin microphone connector.



Example using the SCU-53 (optional)

As shown in the figure, route the optional SCU-53 cable behind the transceiver leg to avoid interfering with transceiver operation.



Installation examples using typical microphone stands*.

This kit requires a commercially available microphone stand*.
*Microphone stand is not included.

Using the M-90MS with Yaesu Transceivers

The M-90D operates with the below Transceivers.

FT-817/ND	FT-818ND	FT-857/D	FT-891	FT-897/D
FT-450/D	FT-900	FT-991/A	FT-847	FT-920
FT-950	FT-1000MP	FT-1000MP MARK-V	FT-2000/D	
FTDX1200	FTDX3000D	FTDX5000	FTDX9000	
FTDX101D	FTDX101MP	FTDX10		
FT-747*	FT-840*	FT-850*	FT-990*	FT-1000*

* Requires Optional "Microphone Power Supply Kit". as of June, 2021

Specifications

Supply Voltage:	DC 5.0 V ±10 %
Current Consumption:	15 mA (TYP)
Microphone Type:	Dynamic
Frequency Response:	30 - 17000 Hz
Sensitivity:	-60 dB (1 kHz 0 dB=1V/Pa)
Microphone Impedance:	600 Ohms
Dimensions:	Diameter: 2.45" (62mm), Length: 6.38" (162mm) *Microphone head size only
Weight (approx):	7.05 oz (200 g) w/ Bracket, w/o Handheld PTT Controller

This equipment has been tested and found to comply with the limits for a Class B digital device, pursuant to Part 15 of the FCC Rules. These limits are designed to provide reasonable protection against harmful interference in a residential installation. This equipment generates, uses and can radiate radio frequency energy and, if not installed and used in accordance with the instructions, may cause harmful interference to radio communications. However, there is no guarantee that interference will not occur in a particular installation. If this equipment does cause harmful interference to radio or television reception, which can be determined by turning the equipment off and on, the user is encouraged to try to correct the interference by one or more of the following measures:

- Reorient or relocate the receiving antenna.
- Increase the separation between the equipment and receiver.
- Connect the equipment into an outlet on a circuit different from that to which the receiver is connected.
- Consult the dealer or an experienced radio/TV technician for help.

This device complies with part 15 of the FCC Rules. Operation is subject to the following two conditions: (1) This device may not cause harmful interference, and (2) this device must accept any interference received, including interference that may cause undesired operation.

Safety Precautions (Be Sure to Read)

Be sure to read the safety precautions printed in the Operating Manual of the compatible transceiver to use this product safely.

Disposal of Electrical and Electronic Equipment

Products with the symbol (crossed-out wheeled bin) cannot be disposed of as household waste. Electronic and Electrical Equipment should be recycled at a facility capable of handling these items and their waste by products. Please contact a local equipment supplier representative or service center for information about the waste collection system in your country.

