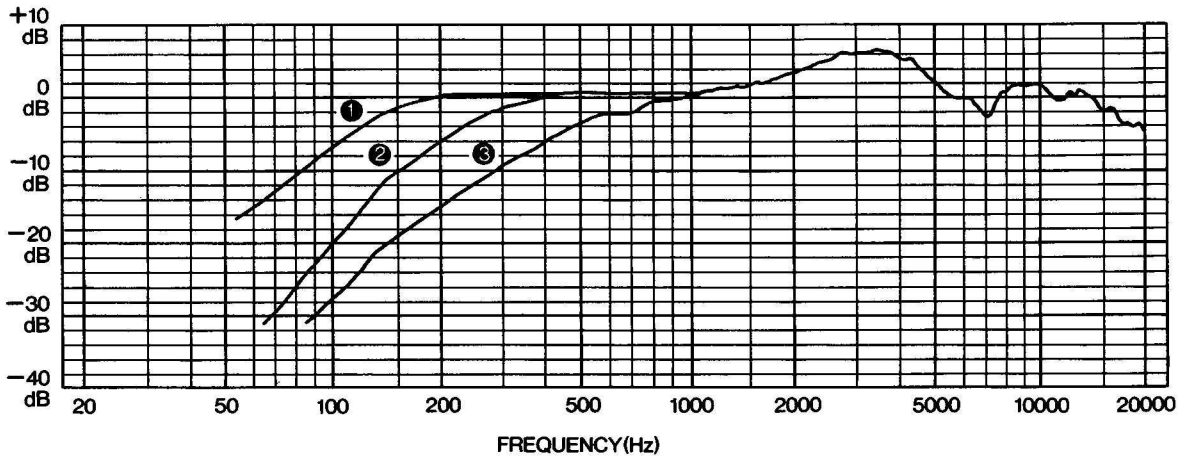


## Specifications

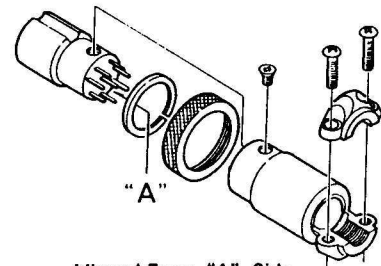
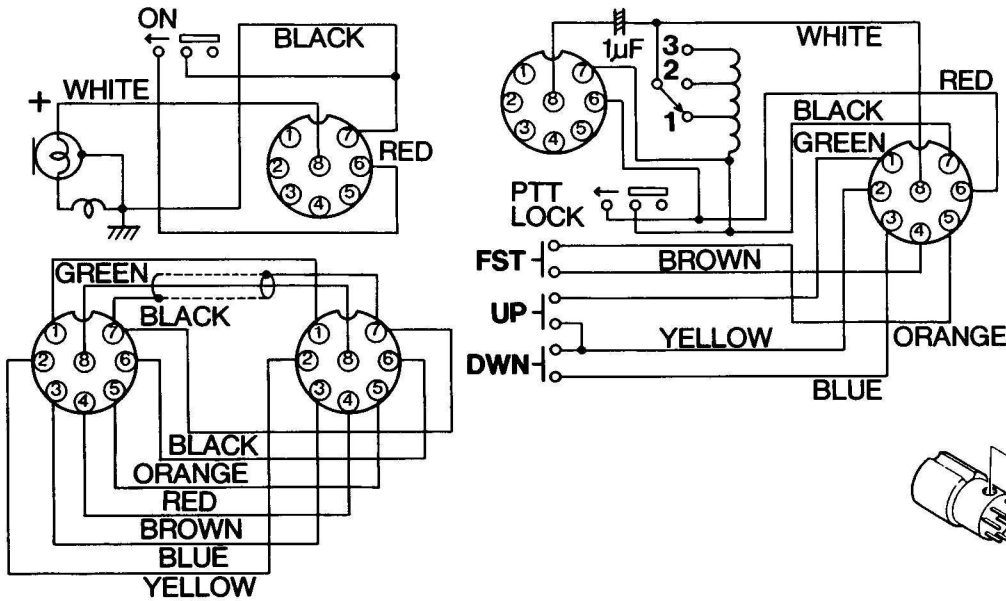
- Type: Dynamic (Impedance:  $600\Omega \pm 30\%$  at 1kHz)
- Frequency Response: 100Hz~15kHz (-6dB)
- Sensitivity: -75dB±3dB at 1kHz (0dB=1V/0.1Pa)
- Directivity Pattern: Unidirectional (teardrop)
- Switches: Top: PTT, PTT lock, Scan UP, DOWN and FAST  
 Bottom: Audio Tone Response (3 positions)  
 Position 1: full range  
 Position 2: -5dB at 100Hz  
 Position 3: -10dB at 100Hz
- Dimensions: Base: 98×160×165mm (WHD)  
 Microphone: diameter 40.5×210mm
- Weight: Base ~ 630g  
 Microphone ~ 250g



MD-1<sub>C8</sub> Microphones



## Circuit Diagram



Viewed From "A" Side

# MD-1<sub>C8</sub> (option)

## Exploded View

