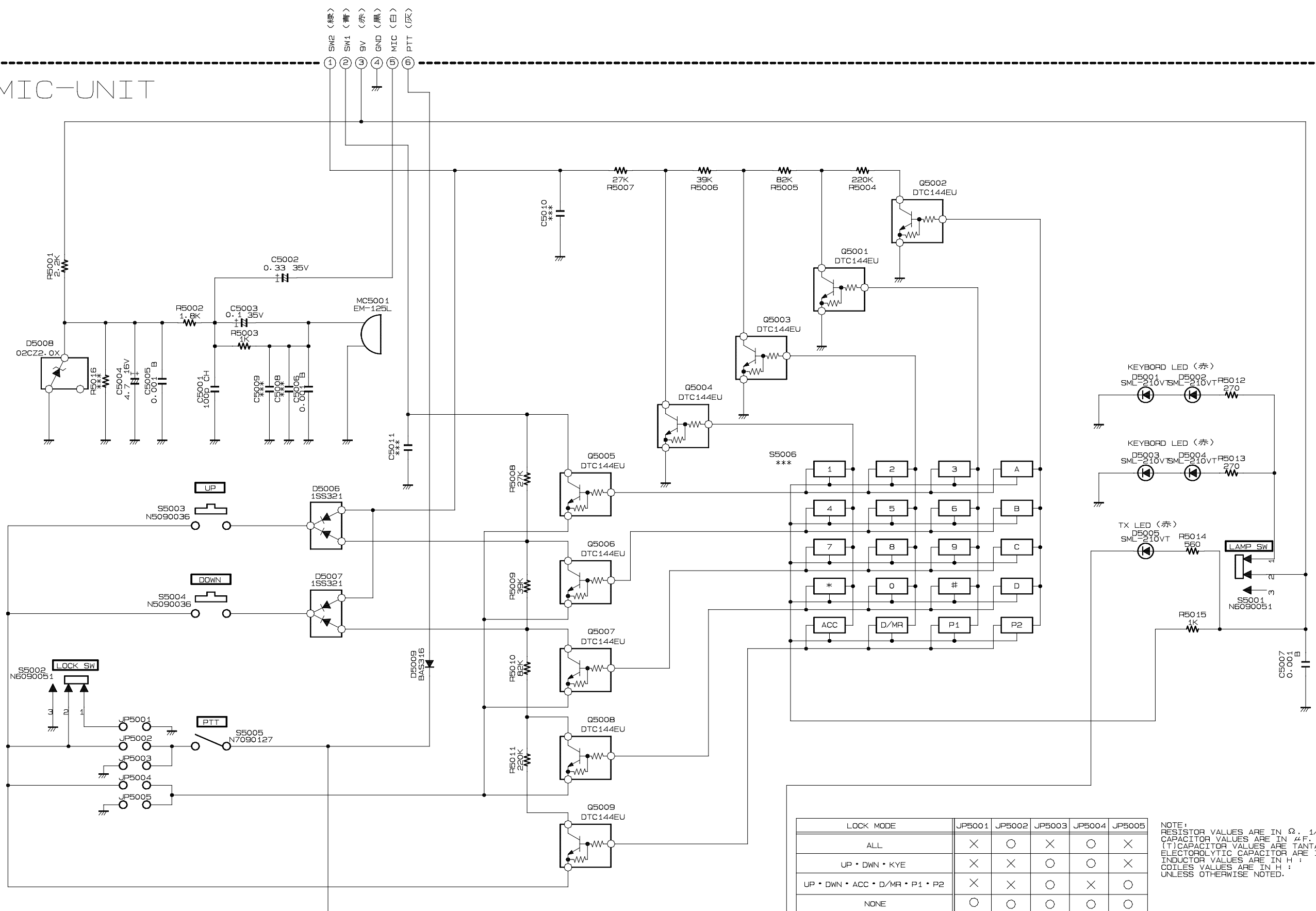


MIC-UNIT

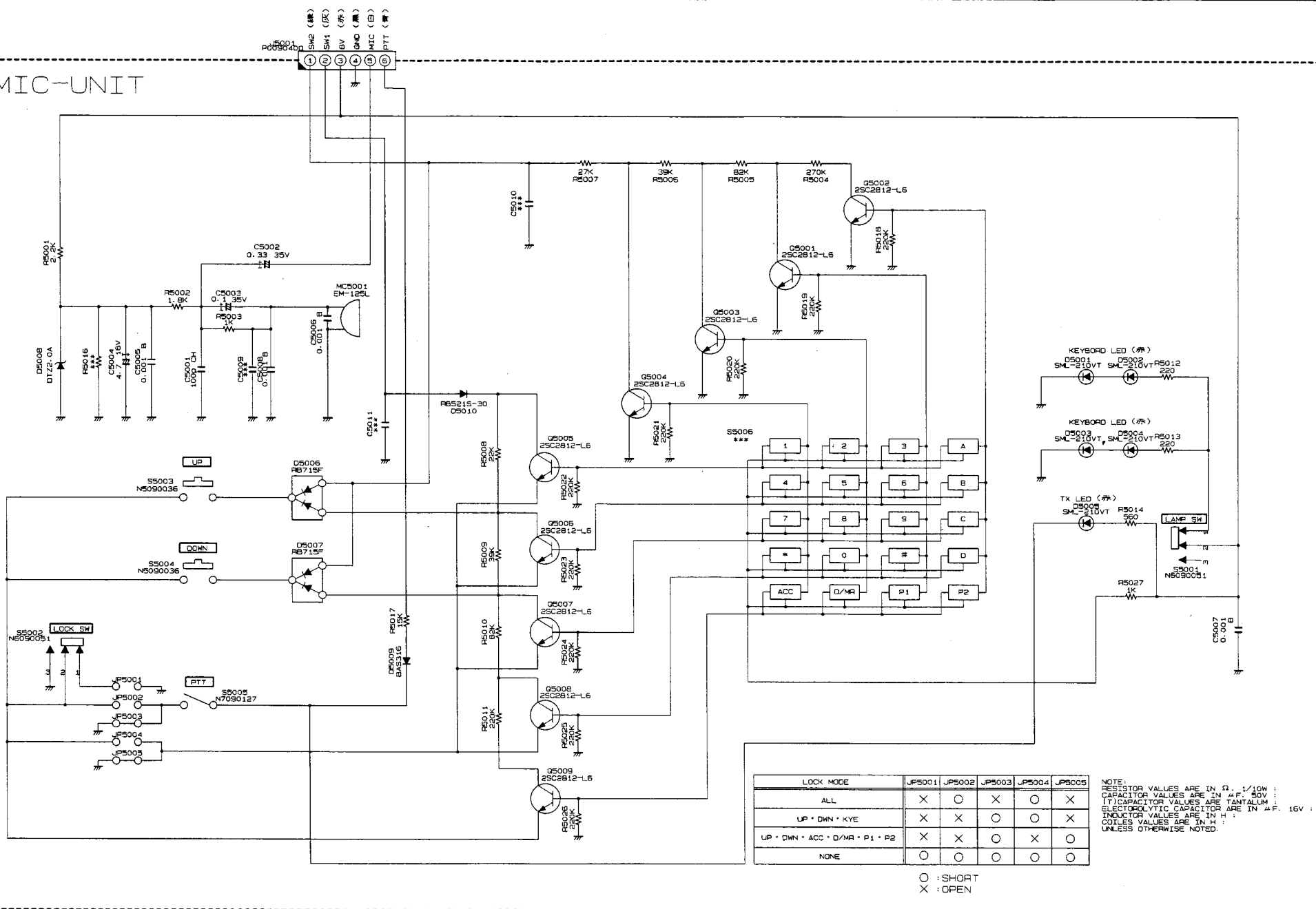


LOCK MODE	JP5001	JP5002	JP5003	JP5004	JP5005
ALL	×	○	×	○	×
UP • DWN • KYE	×	×	○	○	×
UP • DWN • ACC • D/MR • P1 • P2	×	×	○	×	○
NONE	○	○	○	○	○

○ : SHORT
 × : OPEN

NOTE:
 RESISTOR VALUES ARE IN Ω. 1/10W ;
 CAPACITOR VALUES ARE IN μF. 50V ;
 (T)CAPACITOR VALUES ARE TANTALUM ;
 ELECTROLYTIC CAPACITOR ARE IN μF. 16V ;
 INDUCTOR VALUES ARE IN H ;
 COILES VALUES ARE IN H ;
 UNLESS OTHERWISE NOTED.

MIC-UNIT



LOCK MODE	JP5001	JP5002	JP5003	JP5004	JP5005
ALL	X	O	X	O	X
UP * DWN * KYE	X	X	O	O	X
UP * DWN * ACC * D/MR * P1 * P2	X	X	O	X	O
NONE	O	O	O	O	O

O : SHORT
X : OPEN

NOTE:
RESISTOR VALUES ARE IN Ω, 1/10W ;
CAPACITOR VALUES ARE IN μF, 50V ;
(T)CAPACITOR VALUES ARE TANTALUM ;
ELECTROLYTIC CAPACITOR ARE IN μF, 16V ;
INDUCTOR VALUES ARE IN H ;
COILS VALUES ARE IN H ;
UNLESS OTHERWISE NOTED.

CIRCUIT DIAGRAM	MODEL MH-48
DES. B-AAA43X000/MIC-UNIT	
REF. BP0068500A.cir/001.sht EDITION	
DATE 28 JUL..1999	UPDATE 09 DEC..1999
VERTEX STANDARD CO.,LTD.	