

YAESU

YAESU

BATTERY CHARGER NC-1A

for

FTC-2003 HAND-HELD
TRANSCEIVER

Downloaded by
RadioAmateur.EU

The model NC-1A allows charging of the battery pack for the FTC-2003 hand-held transceiver. The NC-1A is capable of operation from a variety of AC voltages, from 100 volts to 234 volts AC.

SPECIFICATIONS

Battery type: NiCd pack, 450 mAh capacity,
9 cells total

Charging current: Approximately 45 mA

Temperature range: 0°C - 45°C

Input voltage: 100/110/117/200/220/234 volts AC,
50/60 Hz

Case size: 140 x 84 x 68 mm

Weight: 620 g.

SEMICONDUCTORS

Silicon diodes: 1S1VB10 (1)

V06B (1)

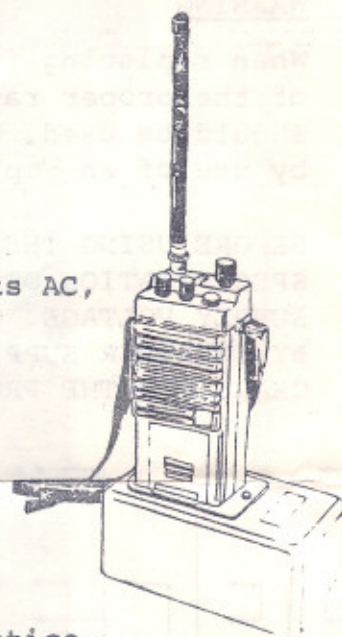
LED: TLR114 (1)

Specifications subject to change without notice.

INSTRUCTIONS

1. The FTC-2003 battery indicator will light up while you are transmitting, when a sufficient battery charge is present. When the LED fails to light up, the batteries should be charged.
2. Insert the FTC-2003 into the NC-1A charger, as shown in the drawing. When properly inserted, the transceiver will cause a microswitch to turn the charger on, and an LED will light up. The FTC-2003 power switch should be OFF. A full charge of the batteries requires 8-10 hours.
3. We do not recommend that the FTC-2003 be operated while in the charger. The batteries will not receive a charge under these conditions, and a 100 Hz hum may be heard on the transmitted signal.
4. Do not charge NiCd cells longer than 15 hours.

(over)



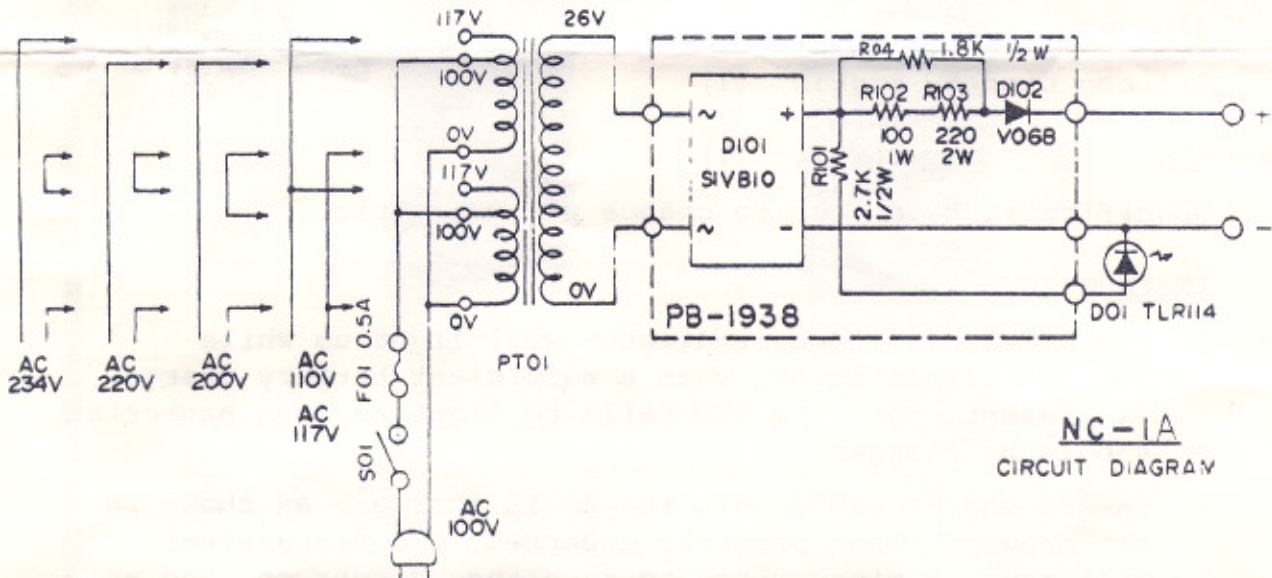
ADVICE ON THE CARE OF NiCd BATTERIES

- * If NiCd batteries are allowed to discharge completely, they may undergo polarity reversal. For this reason, never operate the transceiver to the point where the battery charge is completely exhausted. As well, batteries should routinely be charged once a month, in order to avoid depletion.
- * If the FTC-2003 is not to be used for a long period of time, we recommend that the battery pack be removed from the transceiver.

WARNING

When replacing fuses, be absolutely certain to use a fuse of the proper rating. For all voltages, a $\frac{1}{2}$ ampere fuse should be used. Our warranty does not cover damage caused by use of an improper fuse.

BEFORE USING THE NC-1A, MAKE CERTAIN THAT THE VOLTAGE SPECIFICATION OF THE CHARGER IS THE SAME AS YOUR LOCAL SUPPLY VOLTAGE. OUR WARRANTY DOES NOT COVER DAMAGE CAUSED BY IMPROPER SUPPLY VOLTAGE. REFER TO THE TRANSFORMER CHART FOR THE PROPER CONNECTIONS.



YAESU MUSEN COMPANY, LTD.
C.P.O. BOX 1500
TOKYO, JAPAN
Printed in Japan

YAESU ELECTRONICS CORP.
P.O. BOX 498
PARAMOUNT, CA 90723
U.S.A.