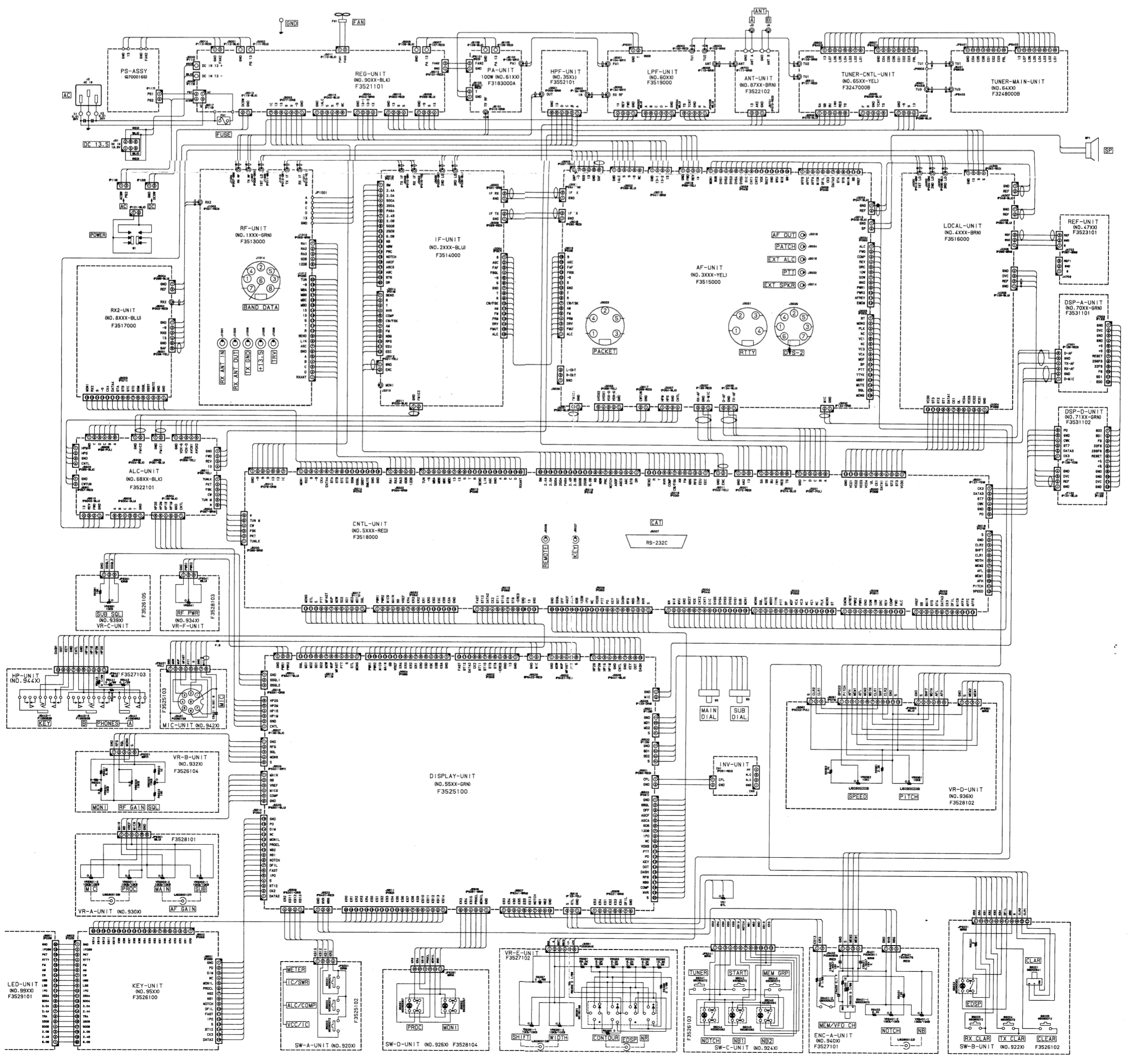
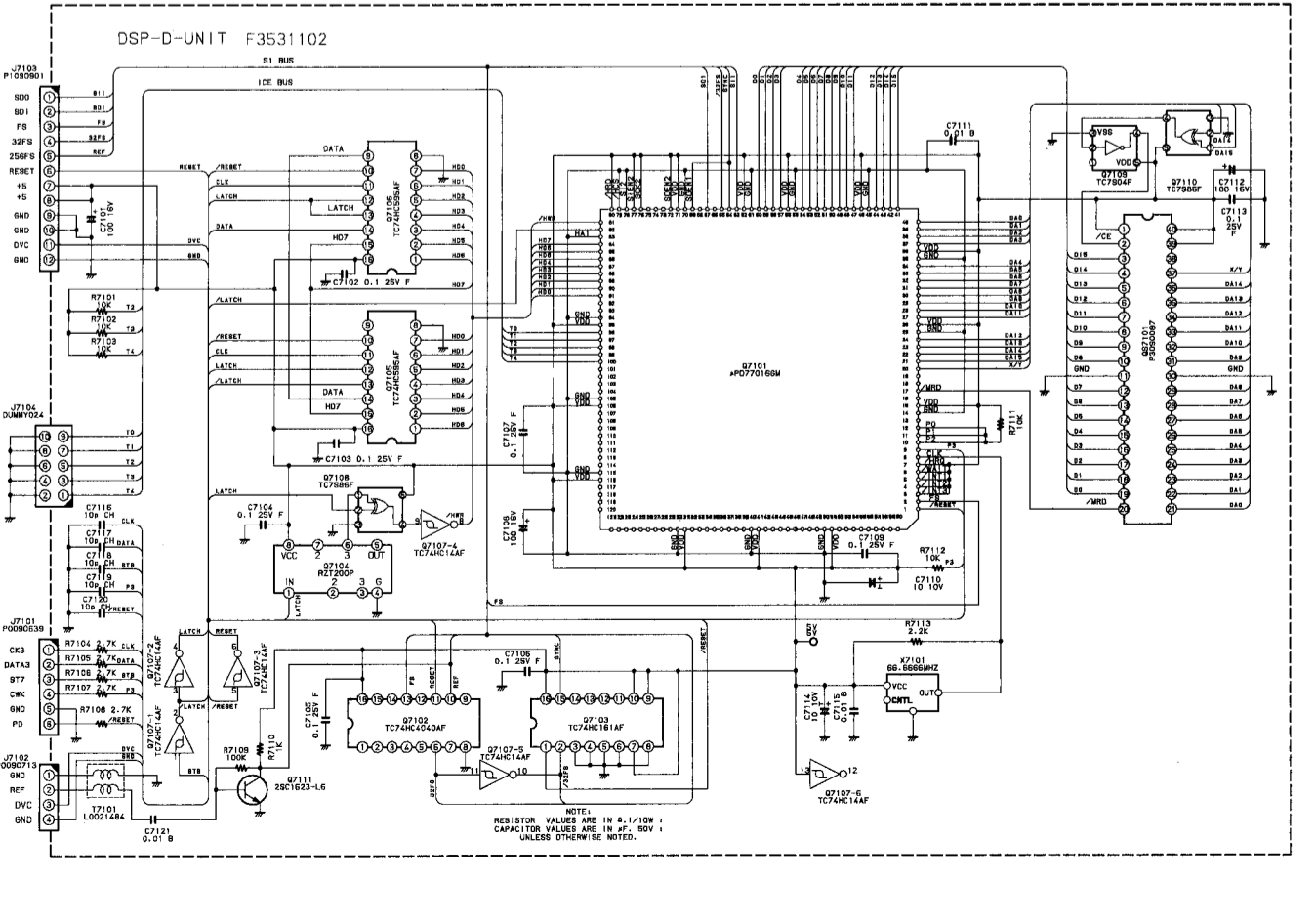
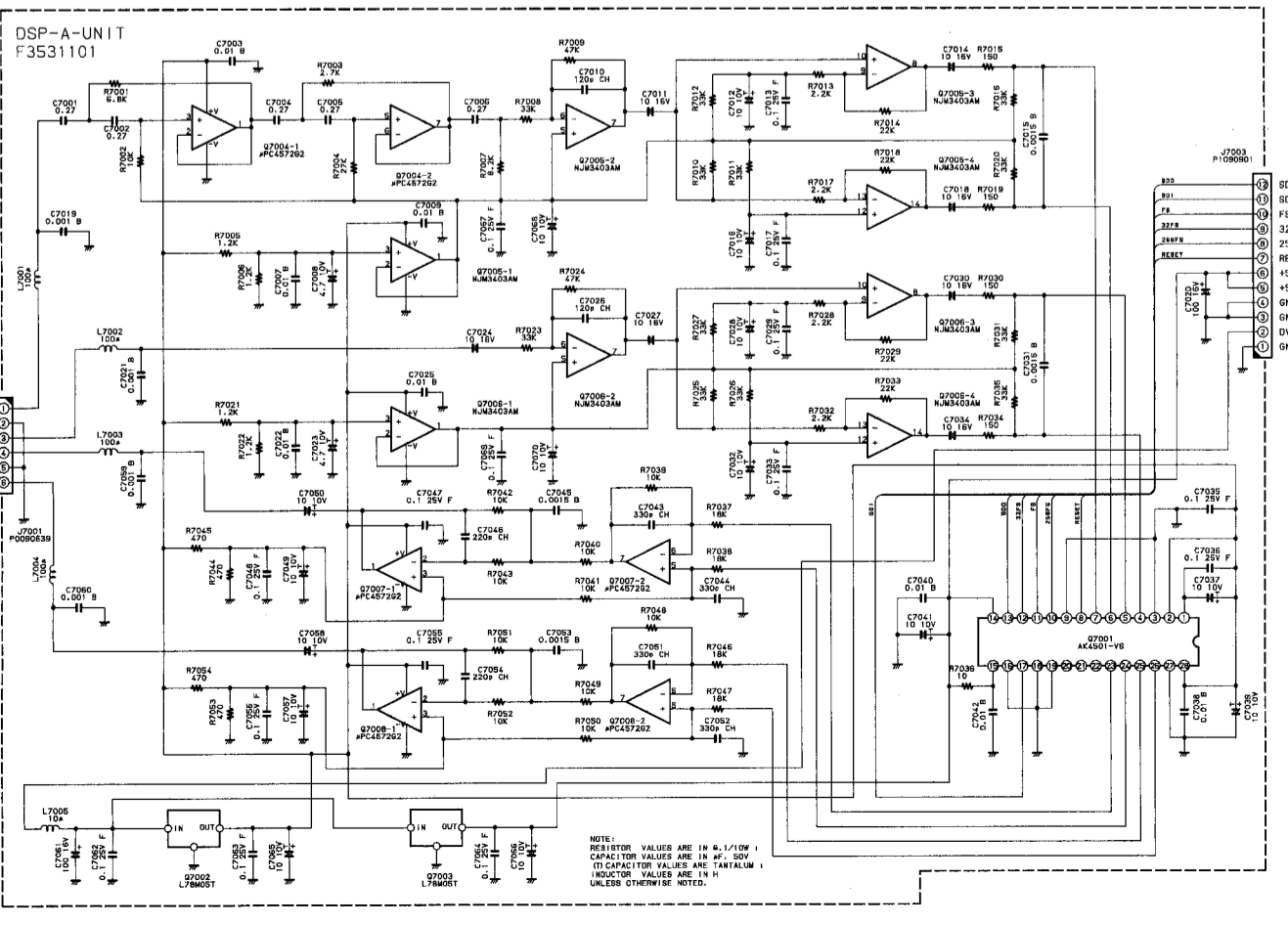
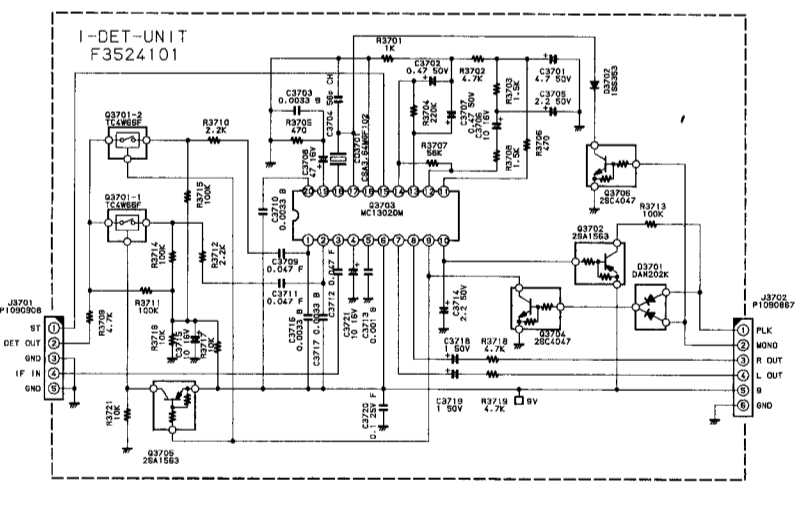
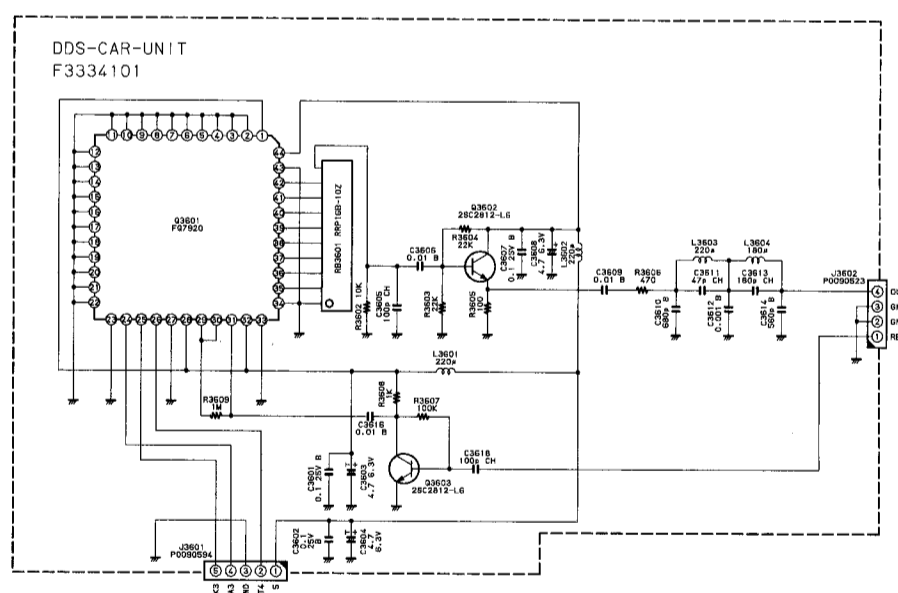
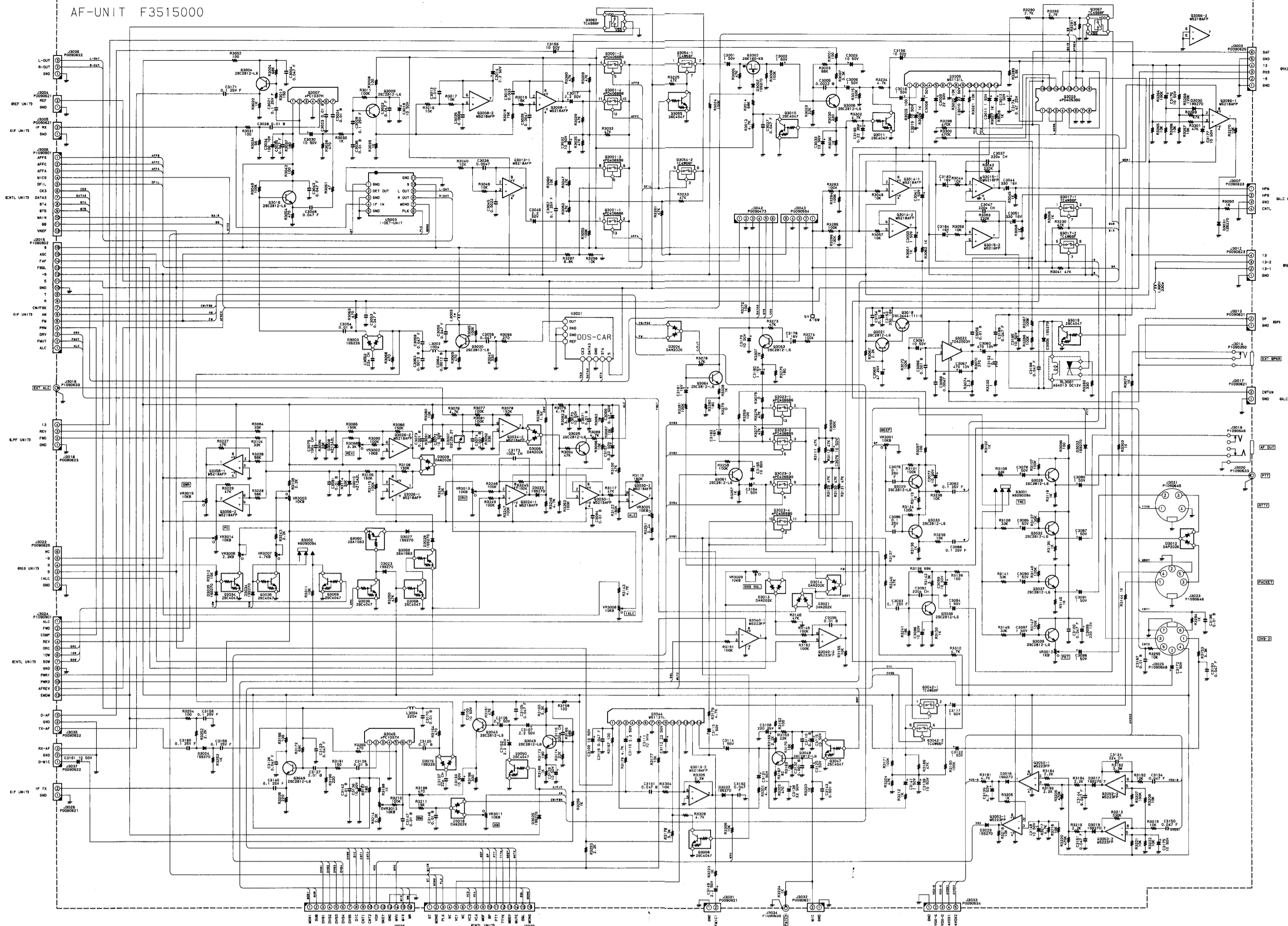


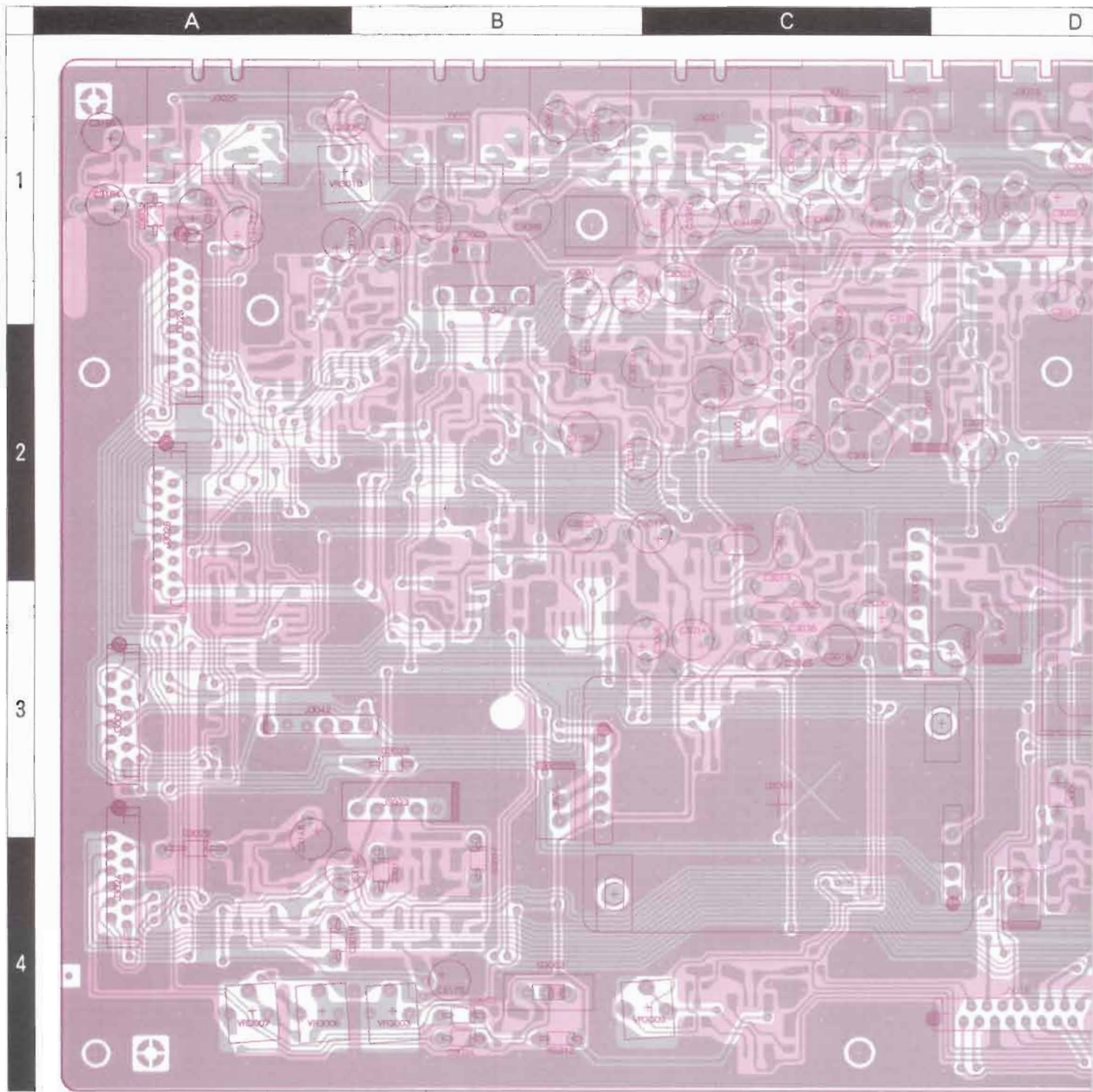
RX LINE \longrightarrow
 TX LINE \longrightarrow
 COMMON LINE \longrightarrow





Parts Layout

Pin 16



- 1. ST
- 2. MOND
- 3. PLK
- 4. NC
- 5. VC1
- 6. NC
- 7. VC3
- 8. VCA
- 9. MOF
- 10. BP
- 11. PT1
- 12. TTYK
- 13. MBSY
- 14. MUTE
- 15. SQL
- 16. MONG

J3029
To CNTL Unit J5003
(See Page 6J-3)

- 1. MONI
- 2. SUB
- 3. DVS1
- 4. DVS2
- 5. DVS3
- 6. DVS4
- 7. DVS5
- 8. DIC
- 9. CNT1
- 10. CNT2
- 11. VOX
- 12. SKEY
- 13. GND
- 14. MVU
- 15. MIX
- 16. MN

J3028
To CNTL Unit J5004
(See Page 6J-3)

- 1. AFSS
- 2. AFFC
- 3. AFPA
- 4. MICG
- 5. DFIL
- 6. CK3
- 7. DATA
- 8. S14
- 9. ST5
- 10. MAIN
- 11. SB
- 12. VREF

J3006
To CNTL Unit J5026
(See Page 6J-3)

- 1. ALC
- 2. FWD
- 3. CDMF
- 4. REV
- 5. DRC
- 6. 10W
- 7. 50W
- 8. GNU
- 9. PWR1
- 10. PWIV
- 11. AFREV
- 12. EMOM

J3024
To CNTL Unit J5009
(See Page 6J-3)

- 5. AVOX2
- 4. AVOX1
- 3. VOX-D
- 2. VOX-G
- 1. GND

J3033
To ALC Unit J6807
(See Page 6P-1)

- 4. CNTL
- 3. GND
- 2. HPS
- 1. HPM

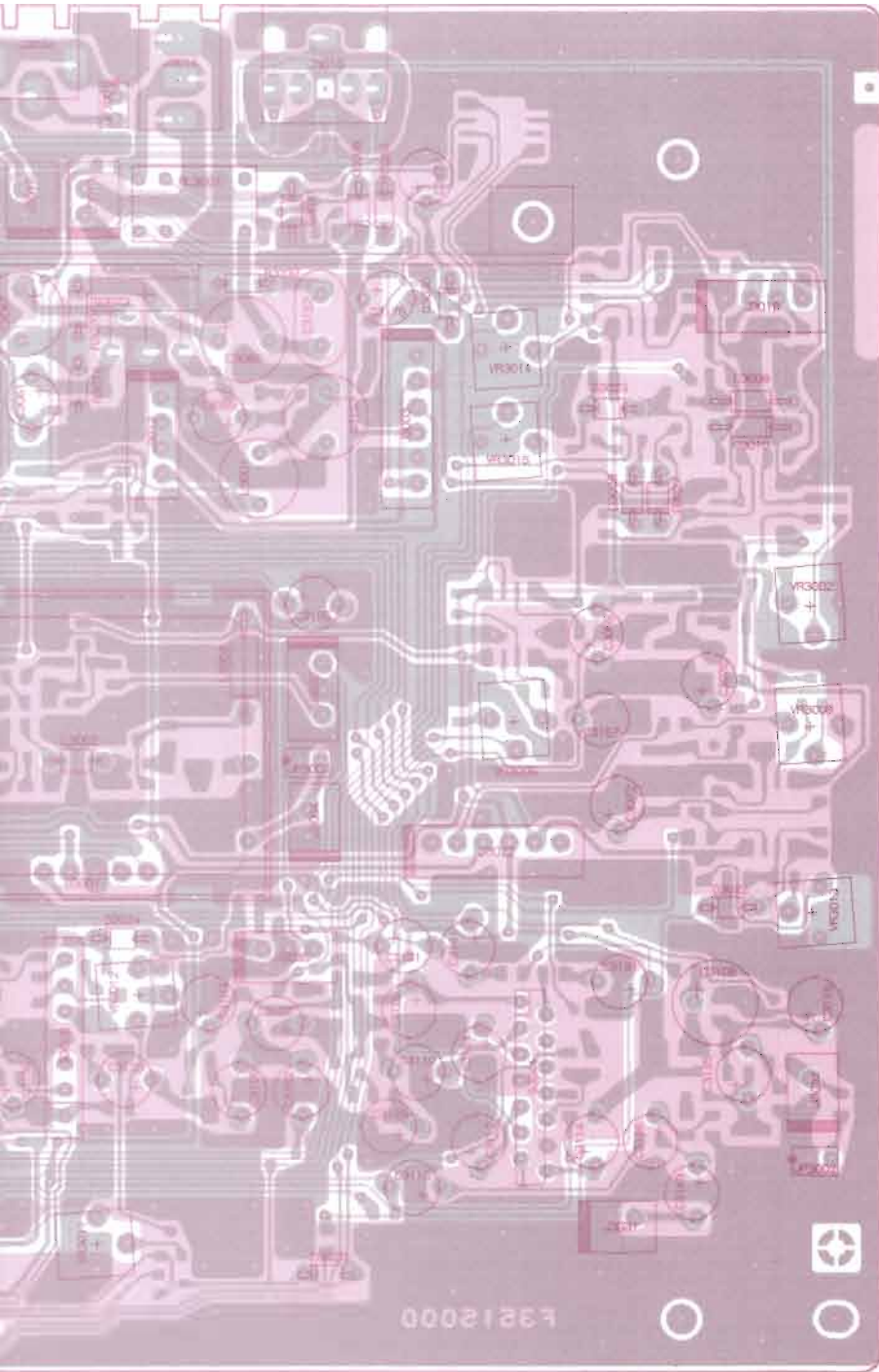
J3007
To ALC Unit J6803
(See Page 6P-1)

- 1. ALC
- 2. FMUT
- 3. DRV
- 4. PRM
- 5. FM
- 6. AM
- 7. CW/FSK
- 8. R
- 9. 1
- 10. GND
- 11. 1
- 12. -B
- 13. FSO
- 14. FAF
- 15. AUG
- 16. 9

J3015
To IF Unit J2004
(See Page 6B-3)

E

F



2. CWTUN J3017
To ALC Unit J6801
(See Page 6P-1)
1. GND

2. SP J3013
To Speaker
1. GND

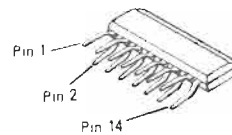
1. GND J3018
2. FWD To ALC Unit J6811
3. REV (See Page 6P-1)
4. 13

1. GND J3003
2. -9 To RX2 Unit J8001
3. RX9 (See Page 6S-3)
4. 13
5. GND
6. SAF

1. GND J3012
2. 13-1 To REG Unit J9004
3. 13-2 (See Page 6W-3)
4. 13

J3032
To Display Unit J5528
(See Page 6K-3)

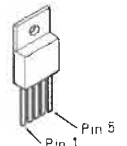
2. MIC
1. GND



M51131L
(Q3005, 3044)



μ PC1037H
(Q3007, 3046)



TDA2003
(Q3022)

J3028 2 IF TX
1 GND To IF Unit J7009
(See Page 6B-3)
J3037 1. D MIC
2. GND To DSP-A Unit J7001
3. FX AF (See Page 6Q-1)

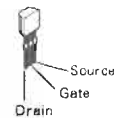
J3004 7 to 1
1 GND To Local Unit J4007
(See Page 6F-3)

J3022 1. GND
2. IALC
3. 35
4. 9
5. -9
6. NC To REG Unit J9016
(See Page 6W-3)

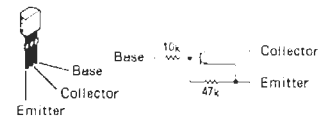
J3035 1. FX AF
2. GND
3. D AF To DSP-A Unit J7801
(See Page 6Q-1)

J3031 1. GND
2. FMIC To ALC Unit J6805
(See Page 6P-1)

obverse view of component side

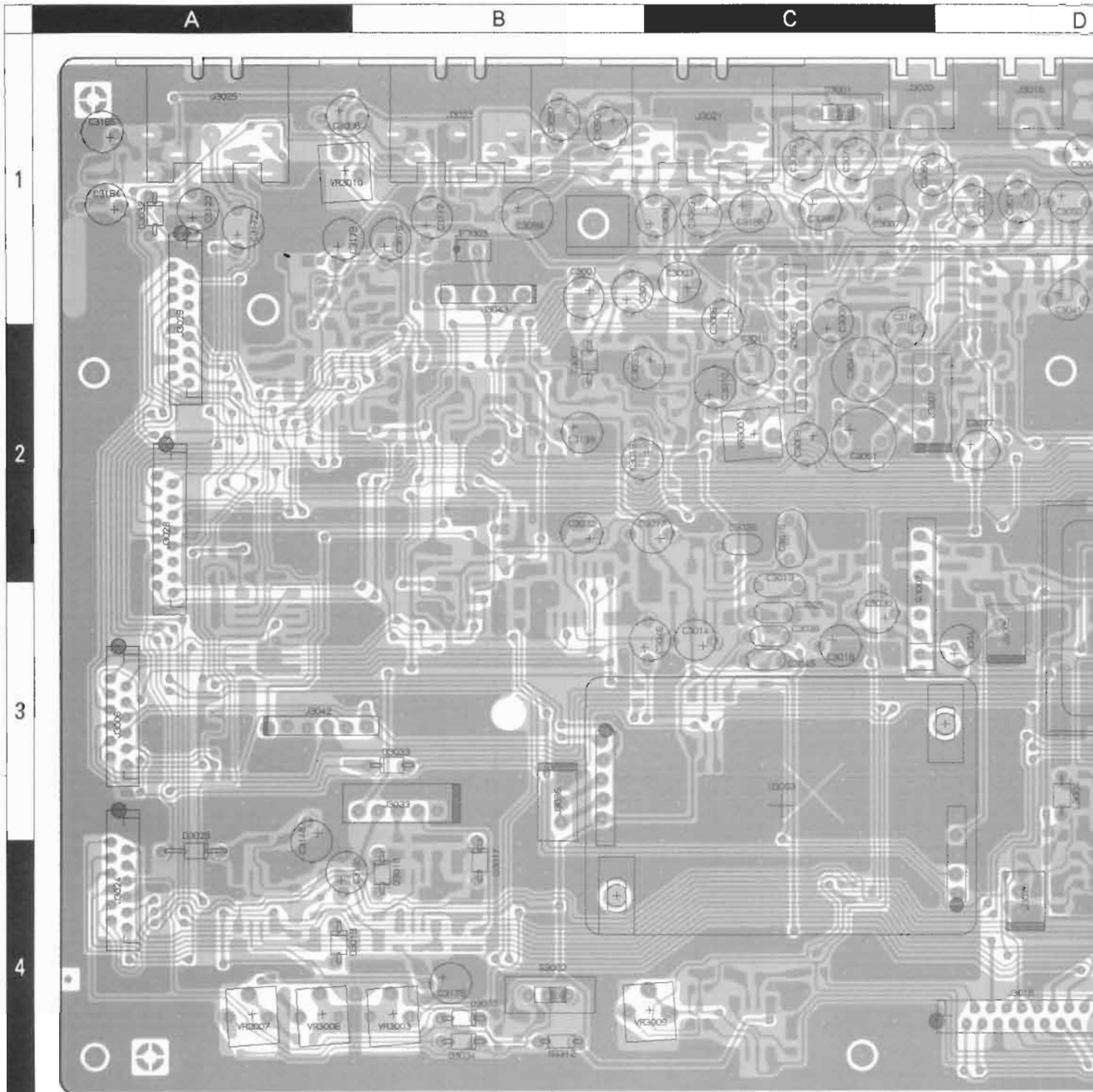


2SK184
(Q3071, 3072)



BA1A4P
(Q3070)

Parts Layout



- | | |
|----------|----------|
| 1. ST | 2. MONO |
| 3. PLK | 4. NC |
| 5. VC1 | 6. NC |
| 7. VC3 | 8. VC4 |
| 9. MOF | 10. BP |
| 11. PTT | 12. TTYK |
| 13. MBSY | 14. MUTE |
| 15. SOL | 16. MONG |

J3029
To CNTL Unit J5003
(See Page 6J-3)

- | | |
|---------|----------|
| 1. MONI | 2. SUB |
| 3. DVS1 | 4. DVS2 |
| 5. DVS3 | 6. DVS4 |
| 7. DVS5 | 8. DIC |
| 9. CNT1 | 10. CNT2 |
| 11. VOX | 12. SKEY |
| 13. GND | 14. MVUF |
| 15. MIX | 16. MN |

J3028
To CNTL Unit J5004
(See Page 6J-3)

- | | |
|---------|----------|
| 1. AFFS | 2. AFFC |
| 3. AFFA | 4. MICG |
| 5. OFIL | 6. CK3 |
| 7. DATA | 8. ST4 |
| 9. ST5 | 10. MAIN |
| 11. SB | 12. VREF |

J3006
To CNTL Unit J5026
(See Page 6J-3)

- | | |
|-----------|----------|
| 1. ALC | 2. FWD |
| 3. COMP | 4. REV |
| 5. DRC | 6. 10W |
| 7. 50W | 8. GND |
| 9. PWR1 | 10. PWR2 |
| 11. AFREV | 12. EMDM |

J3024
To CNTL Unit J5009
(See Page 6J-3)

- | |
|----------|
| 5. AVOX2 |
| 4. AVOX1 |
| 3. VOX-D |
| 2. VOX-G |
| 1. GND |

J3033
To ALC Unit J6807
(See Page 6P-1)

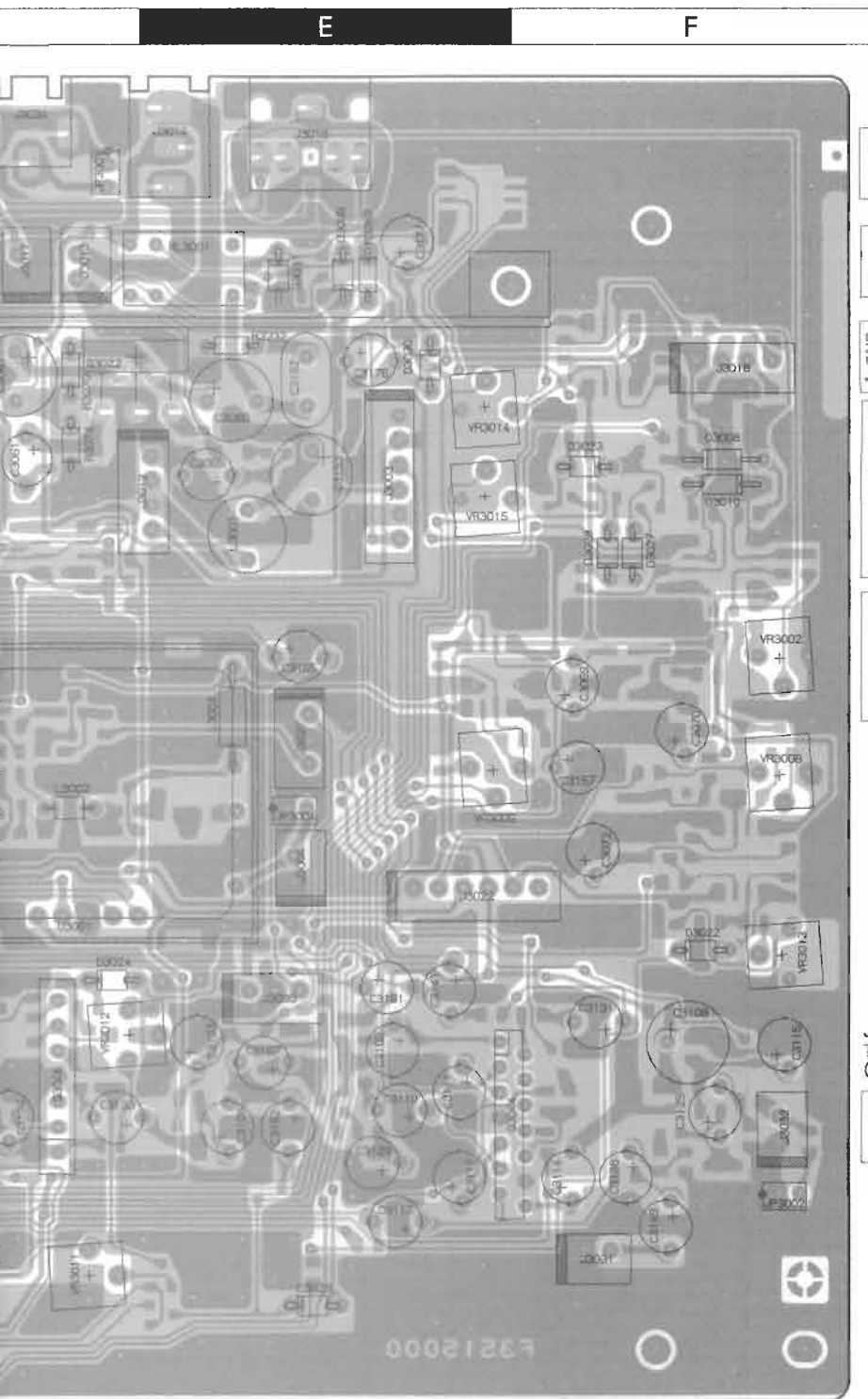
- | |
|---------|
| 4. CNTL |
| 3. GND |
| 2. HPS |
| 1. HPM |

J3007
To ALC Unit J6803
(See Page 6P-1)

- | |
|----------|
| 2. IF RX |
| 1. GND |
- J3005
To IF Unit J2002
(See Page 6B-3)

- | | | | | | | | | | | | | | | | |
|--------|---------|-------|--------|-------|------|-----------|------|------|---------|-------|---------|----------|---------|---------|-------|
| 1. ALC | 2. FMUT | 3. PM | 4. PRM | 5. AM | 6. R | 7. CW/FSK | 8. R | 9. T | 10. GND | 11. 5 | 12. - 9 | 13. FSOL | 14. FAF | 15. AGC | 16. G |
|--------|---------|-------|--------|-------|------|-----------|------|------|---------|-------|---------|----------|---------|---------|-------|

J3015
To IF Unit J2004
(See Page 6B-3)



2. CWTUN J3017
To ALC Unit J6801
(See Page 6P-1)
1. GND

2. SP J3013
To Speaker
1. GND

1. GND J3018
2. FWD To ALC Unit J6811
3. REV (See Page 6P-1)
4. 13

1. GND J3003
2. -9 To RX2 Unit J8001
(See Page 6S-3)
3. RX9
4. 13
5. GND
6. SAF

1. GND J3012
2. 13-1 To REG Unit J9004
(See Page 6W-3)
3. 13-2
4. 13

J3032
To Display Unit J5528
(See Page 6K-3)

2. MIC
1. GND

J3026
To IF Unit J2009
(See Page 6B-3)
2. JF TX
1. GND

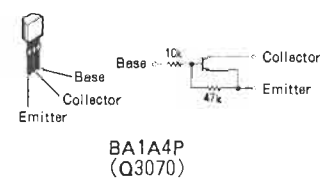
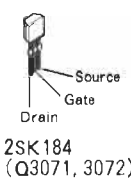
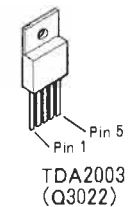
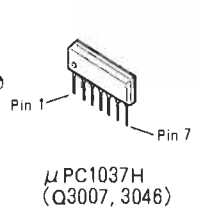
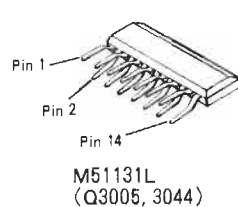
J3037
To DSP-A Unit J7001
(See Page 6Q-1)
1. D-MIC
2. GND
3. RX-AF

J3022
To REG Unit J9010
(See Page 6W-3)
1. GND
2. IALC
3, 5
4, 8
5, -8
6. NC

J3031
To ALC Unit J6805
(See Page 6P-1)
1. GND
2. FMIC1

J3004
To Local Unit J4007
(See Page 6F-3)
2. REF
1. GND

J3035
To DSP-A Unit J7001
(See Page 6Q-1)
1. TX-AF
2. GND
3. D-AF



obverse view of component side

Parts List

REF.	DESCRIPTION	VALUE	WV	TOL.	MFGR'S DESIG	YAESU P/N	VERS.	LOT.	LAY	ADR
*** AF UNIT ***										
	PCB with Components (W/ DDS-CAR, I-DET UNIT)					CP5123002				
	Printed Circuit Board					F3515000				
C 3001	AL. ELECTRO. CAP.	1uF	50V		50V010M5X11TR5	K46170017				
C 3002	AL. ELECTRO. CAP.	1uF	50V		50V010M5X11TR5	K46170017				
C 3003	AL. ELECTRO. CAP.	10uF	50V		50V100M5X11TR5	K46170021				
C 3004	CHIP CAP.	0.047uF	50V	F	GRM40F473Z50PT	K22171008				
C 3005	CHIP CAP.	0.0022uF	50V	B	GRM40B222M50PT	K22170809				
C 3006	AL. ELECTRO. CAP.	1uF	50V		50V010M5X11TR5	K46170017				
C 3008	AL. ELECTRO. CAP.	10uF	50V		50V100M5X11TR5	K46170021				
C 3009	AL. ELECTRO. CAP.	22uF	50V		50V220M5X11TR5	K46170022				
C 3010	AL. ELECTRO. CAP.	22uF	50V		50V220M5X11TR5	K46170022				
C 3011	AL. ELECTRO. CAP.	1uF	50V		50V010M5X11TR5	K46170017				
C 3012	AL. ELECTRO. CAP.	1uF	50V		50V010M5X11TR5	K46170017				
C 3013	FILM CAP.	0.015uF	50V		NNMTP153K50	K56170021				
C 3014	AL. ELECTRO. CAP.	2.2uF	50V		50V2R2M5X11TR5	K46170018				
C 3015	FILM CAP.	0.033uF	50V		NNMTP333K50	K56170023				
C 3016	AL. ELECTRO. CAP.	1uF	50V		50V010M5X11TR5	K46170017				
C 3017	AL. ELECTRO. CAP.	2.2uF	50V		50V2R2M5X11TR5	K46170018				
C 3018	AL. ELECTRO. CAP.	10uF	50V		50V100M5X11TR5	K46170021				
C 3019	AL. ELECTRO. CAP.	10uF	50V		50V100M5X11TR5	K46170021				
C 3021	CHIP CAP.	0.1uF	25V	F	GRM40F104Z25PT	K22141005				
C 3022	CHIP CAP.	0.047uF	50V	F	GRM40F473Z50PT	K22171008				
C 3023	CHIP CAP.	0.01uF	50V	B	GRM40B103M50PT	K22170817				
C 3024	CHIP CAP.	0.01uF	50V	B	GRM40B103M50PT	K22170817				
C 3025	FILM CAP.	0.0047uF	50V		NNMTP472K50	K56170018				
C 3026	FILM CAP.	0.0047uF	50V		NNMTP472K50	K56170018				
C 3027	CHIP CAP.	0.047uF	50V	F	GRM40F473Z50PT	K22171008				
C 3028	CHIP CAP.	0.01uF	50V	B	GRM40B103M50PT	K22170817				
C 3029	CHIP CAP.	0.1uF	25V	F	GRM40F104Z25PT	K22141005				
C 3030	AL. ELECTRO. CAP.	10uF	50V		50V100M5X11TR5	K46170021				
C 3032	AL. ELECTRO. CAP.	10uF	50V		50V100M5X11TR5	K46170021				
C 3033	AL. ELECTRO. CAP.	22uF	50V		50V220M5X11TR5	K46170022				
C 3034	AL. ELECTRO. CAP.	100uF	10V		10V101M5X11TR5	K46100004				
C 3035	CHIP CAP.	0.047uF	50V	F	GRM40F473Z50PT	K22171008				
C 3036	CHIP CAP.	0.01uF	50V	B	GRM40B103M50PT	K22170817				
C 3038	FILM CAP.	0.0047uF	50V		NNMTP472K50	K56170018				
C 3041	AL. ELECTRO. CAP.	1uF	50V		50V010M5X11TR5	K46170017				
C 3042	CHIP CAP.	0.047uF	50V	F	GRM40F473Z50PT	K22171008				
C 3044	AL. ELECTRO. CAP.	330uF	16V		16V331M8X11TR5	K46120002				
C 3045	FILM CAP.	0.0022uF	50V		NNMTP222K50	K56170016				
C 3046	AL. ELECTRO. CAP.	2.2uF	50V		50V2R2M5X11TR5	K46170018				
C 3048	CHIP CAP.	0.047uF	50V	F	GRM40F473Z50PT	K22171008				
C 3050	AL. ELECTRO. CAP.	1uF	50V		50V010M5X11TR5	K46170017				
C 3051	AL. ELECTRO. CAP.	330uF	16V		16V331M8X11TR5	K46120002				
C 3052	CHIP CAP.	0.1uF	25V	F	GRM40F104Z25PT	K22141005				

AF Unit

REF.	DESCRIPTION	VALUE	WV	TOL.	MFR'S DESIG	YAESU P/N	VERS.	LOT.	LAY	ADR
C 3053	CHIP CAP.	0.047uF	50V	F	GRM40F473Z50PT	K22171008				
C 3054	CHIP CAP.	0.01uF	50V	B	GRM40B103M50PT	K22170817				
C 3055	CHIP CAP.	0.047uF	50V	F	GRM40F473Z50PT	K22171008				
C 3056	CHIP CAP.	0.01uF	50V	B	GRM40B103M50PT	K22170817				
C 3058	CHIP CAP.	0.047uF	50V	F	GRM40F473Z50PT	K22171008				
C 3059	CHIP CAP.	0.047uF	50V	F	GRM40F473Z50PT	K22171008				
C 3060	AL. ELECTRO. CAP.	470uF	10V		10V471M8X11TR5	K46100006				
C 3061	AL. ELECTRO. CAP.	10uF	50V		50V100M5X11TR5	K46170021				
C 3062	CHIP CAP.	22pF	50V	CH	GRM40CH220J50PT	K22170219				
C 3063	CHIP CAP.	0.0012uF	50V	B	GRM40B122M50PT	K22170806				
C 3064	CHIP CAP.	0.0012uF	50V	B	GRM40B122M50PT	K22170806				
C 3065	AL. ELECTRO. CAP.	47uF	25V		25V470M5X11TR5	K46140004				
C 3066	CHIP CAP.	0.047uF	50V	B	GRM40B473M50PT	K22170823				
C 3067	AL. ELECTRO. CAP.	470uF	10V		10V471M8X11TR5	K46100006				
C 3068	CHIP CAP.	0.0047uF	50V	B	GRM40B472M50PT	K22170813				
C 3069	AL. ELECTRO. CAP.	0.47uF	50V		50VR47M5X11TR5	K46170016				
C 3070	AL. ELECTRO. CAP.	10uF	50V		50V100M5X11TR5	K46170021				
C 3071	CHIP CAP.	0.01uF	50V	B	GRM40B103M50PT	K22170817				
C 3072	AL. ELECTRO. CAP.	10uF	50V		50V100M5X11TR5	K46170021				
C 3073	CHIP CAP.	0.001uF	50V	B	GRM40B102M50PT	K22170805				
C 3074	CHIP CAP.	0.001uF	50V	B	GRM40B102M50PT	K22170805				
C 3075	CHIP CAP.	100pF	50V	CH	GRM40CH101J50PT	K22170235				
C 3076	AL. ELECTRO. CAP.	10uF	50V		50V100M5X11TR5	K46170021				
C 3077	AL. ELECTRO. CAP.	10uF	50V		50V100M5X11TR5	K46170021				
C 3078	AL. ELECTRO. CAP.	1uF	50V		50V010M5X11TR5	K46170017				
C 3079	CHIP CAP.	0.1uF	25V	F	GRM40F104Z25PT	K22141005				
C 3080	AL. ELECTRO. CAP.	1uF	50V		50V010M5X11TR5	K46170017				
C 3081	CHIP CAP.	100pF	50V	CH	GRM40CH101J50PT	K22170235				
C 3082	CHIP CAP.	0.1uF	25V	F	GRM40F104Z25PT	K22141005				
C 3084	CHIP CAP.	0.01uF	50V	B	GRM40B103M50PT	K22170817				
C 3085	AL. ELECTRO. CAP.	1uF	50V		50V010M5X11TR5	K46170017				
C 3086	CHIP CAP.	0.1uF	25V	F	GRM40F104Z25PT	K22141005				
C 3087	AL. ELECTRO. CAP.	1uF	50V		50V010M5X11TR5	K46170017				
C 3088	CHIP CAP.	0.1uF	25V	F	GRM40F104Z25PT	K22141005				
C 3089	AL. ELECTRO. CAP.	10uF	50V		50V100M5X11TR5	K46170021				
C 3090	AL. ELECTRO. CAP.	1uF	50V		50V010M5X11TR5	K46170017				
C 3091	AL. ELECTRO. CAP.	1uF	50V		50V010M5X11TR5	K46170017				
C 3092	CHIP CAP.	220pF	50V	CH	GRM40CH221J50PT	K22170243				
C 3093	CHIP CAP.	0.1uF	25V	F	GRM40F104Z25PT	K22141005				
C 3094	AL. ELECTRO. CAP.	1uF	50V		50V010M5X11TR5	K46170017				
C 3095	CHIP CAP.	0.01uF	50V	B	GRM40B103M50PT	K22170817				
C 3096	AL. ELECTRO. CAP.	10uF	50V		50V100M5X11TR5	K46170021				
C 3097	AL. ELECTRO. CAP.	1uF	50V		50V010M5X11TR5	K46170017				
C 3098	AL. ELECTRO. CAP.	1uF	50V		50V010M5X11TR5	K46170017				
C 3099	AL. ELECTRO. CAP.	220uF	10V		10V221M6X11TR5	K46100005				
C 3100	CHIP CAP.	0.047uF	50V	F	GRM40F473Z50PT	K22171008				
C 3103	AL. ELECTRO. CAP.	10uF	50V		50V100M5X11TR5	K46170021				
C 3105	CHIP CAP.	0.047uF	50V	F	GRM40F473Z50PT	K22171008				
C 3106	AL. ELECTRO. CAP.	2.2uF	50V		50V2R2M5X11TR5	K46170018				

REF.	DESCRIPTION	VALUE	WV	TOL.	MFGR'S DESIG	YAESU P/N	VERS.	LOT.	LAY ADR
C 3107	AL. ELECTRO. CAP.	2.2uF	50V		50V2R2M5X11TR5	K46170018			
C 3108	AL. ELECTRO. CAP.	220uF	25V		25V221M8X11TR5	K46140006			
C 3109	AL. ELECTRO. CAP.	10uF	50V		50V100M5X11TR5	K46170021			
C 3110	AL. ELECTRO. CAP.	2.2uF	50V		50V2R2M5X11TR5	K46170018			
C 3111	AL. ELECTRO. CAP.	22uF	50V		50V220M5X11TR5	K46170022			
C 3112	AL. ELECTRO. CAP.	22uF	50V		50V220M5X11TR5	K46170022			
C 3113	AL. ELECTRO. CAP.	1uF	50V		50V010M5X11TR5	K46170017			
C 3114	AL. ELECTRO. CAP.	1uF	50V		50V010M5X11TR5	K46170017			
C 3115	AL. ELECTRO. CAP.	10uF	50V		50V100M5X11TR5	K46170021			
C 3116	CHIP CAP.	220pF	50V	CH	GRM40CH221J50PT	K22170243			
C 3117	AL. ELECTRO. CAP.	1uF	50V		50V010M5X11TR5	K46170017			
C 3118	CHIP CAP.	0.047uF	50V	F	GRM40F473Z50PT	K22171008			
C 3119	CHIP CAP.	0.01uF	50V	B	GRM40B103M50PT	K22170817			
C 3120	CHIP CAP.	0.01uF	50V	B	GRM40B103M50PT	K22170817			
C 3122	AL. ELECTRO. CAP.	1uF	50V		50V010M5X11TR5	K46170017			
C 3123	CHIP CAP.	0.047uF	50V	F	GRM40F473Z50PT	K22171008			
C 3124	CHIP CAP.	22pF	50V	CH	GRM40CH220J50PT	K22170219			
C 3125	AL. ELECTRO. CAP.	1uF	50V		50V010M5X11TR5	K46170017			
C 3126	CHIP CAP.	0.047uF	50V	F	GRM40F473Z50PT	K22171008			
C 3127	CHIP CAP.	0.01uF	50V	B	GRM40B103M50PT	K22170817			
C 3128	CHIP CAP.	0.01uF	50V	B	GRM40B103M50PT	K22170817			
C 3129	AL. ELECTRO. CAP.	47uF	50V		50V470M6X11TR5	K46170024			
C 3131	AL. ELECTRO. CAP.	1uF	50V		50V010M5X11TR5	K46170017			
C 3132	CHIP CAP.	0.001uF	50V	B	GRM40B102M50PT	K22170805			
C 3133	AL. ELECTRO. CAP.	10uF	50V		50V100M5X11TR5	K46170021			
C 3134	CHIP CAP.	0.047uF	50V	F	GRM40F473Z50PT	K22171008			
C 3135	AL. ELECTRO. CAP.	4.7uF	50V		50V4R7M5X11TR5	K46170020			
C 3136	AL. ELECTRO. CAP.	10uF	50V		50V100M5X11TR5	K46170021			
C 3137	CHIP CAP.	22pF	50V	CH	GRM40CH220J50PT	K22170219			
C 3138	AL. ELECTRO. CAP.	47uF	50V		50V470M6X11TR5	K46170024			
C 3139	AL. ELECTRO. CAP.	10uF	50V		50V100M5X11TR5	K46170021			
C 3140	CHIP CAP.	0.1uF	25V	F	GRM40F104Z25PT	K22141005			
C 3141	AL. ELECTRO. CAP.	1uF	50V		50V010M5X11TR5	K46170017			
C 3142	CHIP CAP.	0.01uF	50V	B	GRM40B103M50PT	K22170817			
C 3143	CHIP CAP.	0.001uF	50V	B	GRM40B102M50PT	K22170805			
C 3144	CHIP CAP.	0.047uF	50V	F	GRM40F473Z50PT	K22171008			
C 3146	CHIP CAP.	0.01uF	50V	B	GRM40B103M50PT	K22170817			
C 3147	CHIP CAP.	0.01uF	50V	B	GRM40B103M50PT	K22170817			
C 3148	AL. ELECTRO. CAP.	10uF	50V		50V100M5X11TR5	K46170021			
C 3149	AL. ELECTRO. CAP.	2.2uF	50V		50V2R2M5X11TR5	K46170018			
C 3150	CHIP CAP.	0.047uF	50V	F	GRM40F473Z50PT	K22171008			
C 3151	CHIP CAP.	0.047uF	50V	F	GRM40F473Z50PT	K22171008			
C 3152	FILM CAP.	0.1uF	50V		NNMTP104K50	K56170026			
C 3153	AL. ELECTRO. CAP.	330uF	16V		16V331M8X11TR5	K46120002			
C 3154	CHIP CAP.	0.01uF	50V	B	GRM40B103M50PT	K22170817			
C 3155	AL. ELECTRO. CAP.	10uF	50V		50V100M5X11TR5	K46170021			
C 3156	AL. ELECTRO. CAP.	10uF	50V		50V100M5X11TR5	K46170021			
C 3157	AL. ELECTRO. CAP.	0.22uF	50V		50VR22M5X11TR5	K46170014			
C 3159	TANTALUM CAP.	10uF	16V		DN1C100M1S	K70127106			

AF Unit

REF.	DESCRIPTION	VALUE	WV	TOL.	MFGR'S DESIG	YAESU P/N	VERS.	LOT.	LAY	ADR
C 3160	TANTALUM CAP.	10uF	16V		DN1C100M1S	K70127106				
C 3161	AL. ELECTRO. CAP.	10uF	50V		50V100M5X11TR5	K46170021				
C 3164	AL. ELECTRO. CAP.	1uF	50V		50V010M5X11TR5	K46170017				
C 3165	AL. ELECTRO. CAP.	10uF	50V		50V100M5X11TR5	K46170021				
C 3170	CHIP CAP.	0.1uF	25V	F	GRM40F104Z25PT	K22141005				
C 3171	CHIP CAP.	0.1uF	25V	F	GRM40F104Z25PT	K22141005				
C 3172	AL. ELECTRO. CAP.	1uF	50V		50V010M5X11TR5	K46170017				
C 3173	CHIP CAP.	100pF	50V	CH	GRM40CH101J50PT	K22170235				
C 3174	TANTALUM CHIP CAP.	0.47uF	25V		TESVA1E474M1-8R	K78140009				
C 3175	AL. ELECTRO. CAP.	10uF	50V		50V100M5X11TR5	K46170021				
C 3176	AL. ELECTRO. CAP.	10uF	50V		50V100M5X11TR5	K46170021				
C 3177	AL. ELECTRO. CAP.	10uF	50V		50V100M5X11TR5	K46170021				
C 3178	TANTALUM CHIP CAP.	1uF	16V		TESVA1C105M1-8R	K78120009				
C 3179	AL. ELECTRO. CAP.	10uF	50V		50V100M5X11TR5	K46170021				
C 3180	TANTALUM CHIP CAP.	1uF	16V		TESVA1C105M1-8R	K78120009				
C 3181	TANTALUM CHIP CAP.	1uF	16V		TESVA1C105M1-8R	K78120009				
C 3182	TANTALUM CHIP CAP.	1uF	16V		TESVA1C105M1-8R	K78120009				
C 3183	TANTALUM CHIP CAP.	10uF	6.3V		TEMSVA0J106M-8R	K78080027				
C 3184	TANTALUM CHIP CAP.	10uF	6.3V		TEMSVA0J106M-8R	K78080027				
C 3185	AL. ELECTRO. CAP.	10uF	50V		50V100M5X11TR5	K46170021				
C 3186	CHIP CAP.	0.01uF	50V	B	GRM40B103M50PT	K22170817				
C 3187	CHIP CAP.	0.01uF	50V	B	GRM40B103M50PT	K22170817				
C 3188	CHIP CAP.	0.047uF	50V	F	GRM40F473Z50PT	K22171008				
C 3189	CHIP CAP.	0.047uF	50V	F	GRM40F473Z50PT	K22171008				
C 3190	TANTALUM CHIP CAP.	0.22uF	35V		TESVA1V224M1-8R	K78160027				
C 3191	CHIP CAP.	0.047uF	50V	B	GRM40B473M50PT	K22170823				
C 3192	CHIP CAP.	0.1uF	25V	B	GRM40B104M25PT	K22140811				
C 3193	CHIP CAP.	0.047uF	50V	F	GRM40F473Z50PT	K22171008				
C 3194	CERAMIC CAP.	0.1uF	50V	F	UPO50F104Z-A-B	K28179003				
C 3195	TANTALUM CAP.	10uF	16V		DN1C100M1S	K70127106				
C 3196	TANTALUM CAP.	10uF	16V		DN1C100M1S	K70127106				
C 3197	CHIP CAP.	0.001uF	50V	B	GRM40B102M50PT	K22170805				
C 3198	CHIP CAP.	0.001uF	50V	B	GRM40B102M50PT	K22170805				
D 3002	DIODE				1SS270TJ	G2060004				
D 3003	DIODE				1SS226 TE85R	G2070003				
D 3004	DIODE				DAN202K T146	G2070182				
D 3005	DIODE				1SS270TJ	G2060004				
D 3006	DIODE				DAN202K T146	G2070182				
D 3007	DIODE				O2CZ8.2Y TE85R	G2070146				
D 3008	DIODE				HZ12A2L TE	G2060015				
D 3009	DIODE				DAN202K T146	G2070182				
D 3010	DIODE				HZ12A2L TE	G2060015				
D 3012	DIODE				DAP202K T146	G2070180				
D 3013	DIODE				DAN202K T146	G2070182				
D 3014	DIODE				DAN202K T146	G2070182				
D 3015	DIODE				1SS226 TE85R	G2070003				
D 3016	DIODE				1SS270TJ	G2060004				
D 3017	DIODE				1SS270TJ	G2060004				
D 3018	DIODE				DAN202K T146	G2070182				
D 3019	DIODE				1SS270TJ	G2060004				

REF.	DESCRIPTION	VALUE	WV	TOL.	MFGR'S DESIG	YAESU P/N	VERS.	LOT.	LAY	ADR
D 3021	DIODE				DAN202K T146	G2070182				
D 3022	DIODE				1SS270TJ	G2060004				
D 3023	DIODE				1SS270TJ	G2060004				
D 3024	DIODE				1SS270TJ	G2060004				
D 3025	DIODE				1SS270TJ	G2060004				
D 3027	DIODE				1SS270TJ	G2060004				
D 3028	DIODE				1SS270TJ	G2060004				
D 3029	DIODE				1SS270TJ	G2060004				
D 3030	DIODE				1SS270TJ	G2060004				
D 3031	DIODE				1SS270TJ	G2060004				
D 3032	DIODE				1SS270TJ	G2060004				
D 3033	DIODE				1SS270TJ	G2060004				
D 3034	DIODE				1SS270TJ	G2060004				
D 3035	DIODE				1SS270TJ	G2060004				
D 3036	DIODE				1SS270TJ	G2060004				
D 3037	DIODE				1SS270TJ	G2060004				
J 3003	CONNECTOR				SC25-06WS	P0090625				
J 3004	CONNECTOR				SC25-02WS	P0090621				
J 3005	CONNECTOR				SC25-02WS	P0090621				
J 3006	CONNECTOR				12FMZ-BT	P1090901				
J 3007	CONNECTOR				SC25-04WS	P0090623				
J 3012	CONNECTOR				SC25-04WS	P0090623				
J 3013	CONNECTOR				SC25-02WS	P0090621				
J 3014	CONNECTOR				SG8035#01	P1090350				
J 3015	CONNECTOR				16FMZ-BT	P1090902				
J 3016	CONNECTOR				JPJ2545-01-510	P1090633				
J 3017	CONNECTOR				SC25-02WS	P0090621				
J 3018	CONNECTOR				SC25-04WS	P0090623				
J 3019	CONNECTOR				HSJ0916-01-010	P1090546				
J 3020	CONNECTOR				JPJ2545-01-510	P1090633				
J 3021	CONNECTOR				TCS5073-14-4151	P1090645				
J 3022	CONNECTOR				SC25-06WS	P0090625				
J 3023	CONNECTOR				TCS5073-15-4151	P1090646				
J 3024	CONNECTOR				12FMZ-BT	P1090901				
J 3025	CONNECTOR				TCS5073-17-4151	P1090648				
J 3026	CONNECTOR				SC25-02WS	P0090621				
J 3028	CONNECTOR				16FMZ-BT	P1090902				
J 3029	CONNECTOR				16FMZ-BT	P1090902				
J 3031	CONNECTOR				SC25-02WS	P0090621				
J 3032	CONNECTOR				SC25-02WS	P0090621				
J 3033	CONNECTOR				SC25-05WS	P0090624				
J 3034	CONNECTOR				JPJ2545-01-510	P1090633				
J 3035	CONNECTOR				SC25-03WS	P0090622				
J 3036	CONNECTOR				SC25-03WS	P0090622				
J 3037	CONNECTOR				SC25-03WS	P0090622				
J 3040	CONNECTOR				3022-05B	P0090594				
J 3041	CONNECTOR				3022-06B	P0090473				
J 3042	CONNECTOR				3022-06B	P0090473				

AF Unit

REF.	DESCRIPTION	VALUE	WV	TOL.	MFGR'S DESIG	YAESU P/N	VERS.	LOT.	LAY	ADR
J 3043	CONNECTOR				3022-05B	P0090594				
JP3001	WIRE-ASSY					T9206055				
JP3003	WIRE-ASSY					T9206055				
L 3001	M. RFC	330uH			RCR-875D-331K	L1190393				
L 3002	M. RFC	100uH			LAP02TA101K	L1790070				
L 3003	M. RFC	1mH			LAL03TA102K	L1790119				
L 3004	M. RFC	220uH			LAP02TA221K	L1790074				
L 3005	M. RFC	1mH			LAL03TA102K	L1790119				
Q 3001	IC				UPD4066BG-T2	G1091035				e3
Q 3002	FET				2SK160-T2B K6	G3801607F				d1
Q 3003	IC				UPD4053BG-T2	G1091034				f3
Q 3004	TRANSISTOR				2SC2812L6-TA	G3328127F				c2
Q 3005	IC				M51131L	G1091077				C2
Q 3006	TRANSISTOR				2SC2812L6-TA	G3328127F				d2
Q 3007	IC				UPC1037H	G1090101				C3
Q 3008	IC				M5218AFP-600C	G1091607				d3
Q 3009	TRANSISTOR				2SC2812L6-TA	G3328127F				d3
Q 3010	TRANSISTOR				2SC4047-TA	G3340477				d2
Q 3011	TRANSISTOR				2SC4047-TA	G3340477				d2
Q 3013	IC				M5218AFP-600C	G1091607				d3
Q 3014	IC				M5218AFP-600C	G1091607				c1
Q 3015	IC				M5216FP	G1091784				c1
Q 3016	TRANSISTOR				2SC2812L6-TA	G3328127F				c2
Q 3017	IC				TC4W66F TE12L	G1091493				c2
Q 3018	TRANSISTOR				2SC3444-T11-1E	G3334448E				b2
Q 3019	TRANSISTOR				2SC4047-TA	G3340477				b1
Q 3020	TRANSISTOR				2SC2812L6-TA	G3328127F				b3
Q 3021	TRANSISTOR				2SC2812L6-TA	G3328127F				b2
Q 3022	IC				TDA2003	G1090769				E1
Q 3023	IC				UPD4066BG-T2	G1091035				e2
Q 3024	IC				M5218AFP-600C	G1091607				a3
Q 3025	TRANSISTOR				2SC2812L6-TA	G3328127F				a2
Q 3026	IC				M5218AFP-600C	G1091607				a2
Q 3028	TRANSISTOR				2SC2812L6-TA	G3328127F				d1
Q 3029	TRANSISTOR				2SC2812L6-TA	G3328127F				c2
Q 3030	IC				M5218AFP-600C	G1091607				a2
Q 3032	TRANSISTOR				2SC2812L6-TA	G3328127F				d1
Q 3033	TRANSISTOR				2SC2812L6-TA	G3328127F				c2
Q 3034	TRANSISTOR				2SC4047-TA	G3340477				f4
Q 3035	TRANSISTOR				2SC4047-TA	G3340477				f4
Q 3036	TRANSISTOR				2SC4047-TA	G3340477				a2
Q 3037	TRANSISTOR				2SC2812L6-TA	G3328127F				d1
Q 3038	TRANSISTOR				2SC2812L6-TA	G3328127F				d1
Q 3039	TRANSISTOR				2SC2812L6-TA	G3328127F				e1
Q 3040	IC				M5223FP-600C	G1090990				d4
Q 3042	IC				TC4W66F TE12L	G1091493				e2
Q 3043	TRANSISTOR				2SC2812L6-TA	G3328127F				b4

REF.	DESCRIPTION	VALUE	WV	TOL.	MFGR'S DESIG	YAESU P/N	VERS.	LOT.	LAY	ADR
Q 3044	IC				M51131L	G1091077				F4
Q 3045	TRANSISTOR				2SC2812L6-TA	G3328127F				b4
Q 3046	IC				UPC1037H	G1090101				D3
Q 3047	TRANSISTOR				2SC4047-TA	G3340477				a3
Q 3048	TRANSISTOR				2SC2812L6-TA	G3328127F				a4
Q 3049	TRANSISTOR				2SC2812L6-TA	G3328127F				c4
Q 3050	TRANSISTOR				2SC4047-TA	G3340477				b4
Q 3052	IC				M5223FP-600C	G1090990				e4
Q 3053	IC				M5223FP-600C	G1090990				f4
Q 3054	IC				TC4W66F TE12L	G1091493				e2
Q 3055	TRANSISTOR				2SC4047-TA	G3340477				e3
Q 3056	IC				M5218AFP-600C	G1091607				a1
Q 3058	TRANSISTOR				2SC4047-TA	G3340477				a2
Q 3059	TRANSISTOR				2SA1563-TB	G3115638				a2
Q 3060	TRANSISTOR				2SA1563-TB	G3115638				a2
Q 3061	TRANSISTOR				2SC2812L6-TA	G3328127F				f1
Q 3062	IC				TC4S66F TE85R	G1090893				e3
Q 3063	TRANSISTOR				2SC2812L6-TA	G3328127F				e2
Q 3064	TRANSISTOR				2SC2812L6-TA	G3328127F				e1
Q 3066	IC				M5218AFP-600C	G1091607				a1
Q 3067	IC				TC4S66F TE85R	G1090893				f2
Q 3068	TRANSISTOR				2SC4047-TA	G3340477				a3
Q 3069	TRANSISTOR				2SC4047-TA	G3340477				e4
Q 3070	TRANSISTOR				BA1A4P-T	G3050003				
Q 3071	FET				2SK184Y(TPE4)	G3801844Y				
Q 3072	FET				2SK184Y(TPE4)	G3801844Y				
R 3001	CHIP RES.	100		1/10W 5%	RMC1/10T 101J	J24205101				
R 3002	CHIP RES.	100		1/10W 5%	RMC1/10T 101J	J24205101				
R 3003	CHIP RES.	68K		1/10W 5%	RMC1/10T 683J	J24205683				
R 3004	CHIP RES.	68K		1/10W 5%	RMC1/10T 683J	J24205683				
R 3005	CHIP RES.	47K		1/10W 5%	RMC1/10T 473J	J24205473				
R 3006	CHIP RES.	100K		1/10W 5%	RMC1/10T 104J	J24205104				
R 3007	CHIP RES.	3.3K		1/10W 5%	RMC1/10T 332J	J24205332				
R 3008	CHIP RES.	100		1/10W 5%	RMC1/10T 101J	J24205101				
R 3009	CHIP RES.	47K		1/10W 5%	RMC1/10T 473J	J24205473				
R 3011	CHIP RES.	100K		1/10W 5%	RMC1/10T 104J	J24205104				
R 3012	CHIP RES.	150		1/10W 5%	RMC1/10T 151J	J24205151				
R 3013	CHIP RES.	4.7K		1/10W 5%	RMC1/10T 472J	J24205472				
R 3014	CHIP RES.	68K		1/10W 5%	RMC1/10T 683J	J24205683				
R 3015	CHIP RES.	150K		1/10W 5%	RMC1/10T 154J	J24205154				
R 3016	CHIP RES.	10K		1/10W 5%	RMC1/10T 103J	J24205103				
R 3017	CHIP RES.	10K		1/10W 5%	RMC1/10T 103J	J24205103				
R 3018	CHIP RES.	15K		1/10W 5%	RMC1/10T 153J	J24205153				
R 3019	CHIP RES.	15K		1/10W 5%	RMC1/10T 153J	J24205153				
R 3020	CHIP RES.	10K		1/10W 5%	RMC1/10T 103J	J24205103				
R 3021	CHIP RES.	10K		1/10W 5%	RMC1/10T 103J	J24205103				
R 3022	CHIP RES.	1K		1/10W 5%	RMC1/10T 102J	J24205102				
R 3023	CHIP RES.	22K		1/10W 5%	RMC1/10T 223J	J24205223				

AF Unit

REF.	DESCRIPTION	VALUE	WV	TOL.	MFGR'S DESIG	YAESU P/N	VERS.	LOT.	LAY	ADR
R 3024	CHIP RES.	100K	1/10W	5%	RMC1/10T 104J	J24205104				
R 3025	CHIP RES.	100	1/10W	5%	RMC1/10T 101J	J24205101				
R 3026	CHIP RES.	1K	1/10W	5%	RMC1/10T 102J	J24205102				
R 3027	CHIP RES.	1K	1/10W	5%	RMC1/10T 102J	J24205102				
R 3028	CHIP RES.	1K	1/10W	5%	RMC1/10T 102J	J24205102				
R 3029	CHIP RES.	47K	1/10W	5%	RMC1/10T 473J	J24205473				
R 3030	CHIP RES.	220	1/10W	5%	RMC1/10T 221J	J24205221				
R 3031	CHIP RES.	100	1/10W	5%	RMC1/10T 101J	J24205101				
R 3032	CHIP RES.	1K	1/10W	5%	RMC1/10T 102J	J24205102				
R 3033	CHIP RES.	47K	1/10W	5%	RMC1/10T 473J	J24205473				
R 3034	CHIP RES.	56	1/10W	5%	RMC1/10T 560J	J24205560				
R 3035	CHIP RES.	47K	1/10W	5%	RMC1/10T 473J	J24205473				
R 3036	CHIP RES.	1K	1/10W	5%	RMC1/10T 102J	J24205102				
R 3037	CHIP RES.	180	1/10W	5%	RMC1/10T 181J	J24205181				
R 3038	CHIP RES.	470	1/10W	5%	RMC1/10T 471J	J24205471				
R 3039	CHIP RES.	1K	1/10W	5%	RMC1/10T 102J	J24205102				
R 3040	CHIP RES.	10K	1/10W	5%	RMC1/10T 103J	J24205103				
R 3041	CHIP RES.	47K	1/10W	5%	RMC1/10T 473J	J24205473				
R 3042	CHIP RES.	220K	1/10W	5%	RMC1/10T 224J	J24205224				
R 3043	CHIP RES.	100	1/10W	5%	RMC1/10T 101J	J24205101				
R 3044	CHIP RES.	10K	1/10W	5%	RMC1/10T 103J	J24205103				
R 3045	CHIP RES.	1K	1/10W	5%	RMC1/10T 102J	J24205102				
R 3046	CHIP RES.	10K	1/10W	5%	RMC1/10T 103J	J24205103				
R 3047	CHIP RES.	47K	1/10W	5%	RMC1/10T 473J	J24205473				
R 3048	CHIP RES.	10K	1/10W	5%	RMC1/10T 103J	J24205103				
R 3049	CHIP RES.	100K	1/10W	5%	RMC1/10T 104J	J24205104				
R 3050	CHIP RES.	1K	1/10W	5%	RMC1/10T 102J	J24205102				
R 3051	CHIP RES.	47	1/10W	5%	RMC1/10T 470J	J24205470				
R 3052	CHIP RES.	47K	1/10W	5%	RMC1/10T 473J	J24205473				
R 3053	CHIP RES.	220K	1/10W	5%	RMC1/10T 224J	J24205224				
R 3054	CHIP RES.	470	1/10W	5%	RMC1/10T 471J	J24205471				
R 3055	CHIP RES.	100K	1/10W	5%	RMC1/10T 104J	J24205104				
R 3056	CHIP RES.	10K	1/10W	5%	RMC1/10T 103J	J24205103				
R 3057	CHIP RES.	10K	1/10W	5%	RMC1/10T 103J	J24205103				
R 3058	CHIP RES.	1K	1/10W	5%	RMC1/10T 102J	J24205102				
R 3059	CHIP RES.	1K	1/10W	5%	RMC1/10T 102J	J24205102				
R 3060	CHIP RES.	27K	1/10W	5%	RMC1/10T 273J	J24205273				
R 3061	CHIP RES.	1K	1/10W	5%	RMC1/10T 102J	J24205102				
R 3062	CHIP RES.	1K	1/10W	5%	RMC1/10T 102J	J24205102				
R 3063	CHIP RES.	470	1/10W	5%	RMC1/10T 471J	J24205471				
R 3065	CHIP RES.	100K	1/10W	5%	RMC1/10T 104J	J24205104				
R 3066	CHIP RES.	270	1/10W	5%	RMC1/10T 271J	J24205271				
R 3067	CHIP RES.	2.2K	1/10W	5%	RMC1/10T 222J	J24205222				
R 3068	CHIP RES.	470	1/10W	5%	RMC1/10T 471J	J24205471				
R 3069	CHIP RES.	470	1/10W	5%	RMC1/10T 471J	J24205471				
R 3070	CARBON FILM RES.	270	1/6W	5%	RD16TPJ271	J07225271				
R 3072	CHIP RES.	10K	1/10W	5%	RMC1/10T 103J	J24205103				
R 3073	CHIP RES.	1K	1/10W	5%	RMC1/10T 102J	J24205102				
R 3074	CARBON FILM RES.	2.2	1/6W	5%	RD16TPJ2R2	J07225229				

REF.	DESCRIPTION	VALUE	WV	TOL.	MFGR'S DESIG	YAESU P/N	VERS.	LOT.	LAY	ADR
R 3075	CHIP RES.	4.7K	1/10W	5%	RMC1/10T 472J	J24205472				
R 3076	CHIP RES.	4.7K	1/10W	5%	RMC1/10T 472J	J24205472				
R 3077	CHIP RES.	100K	1/10W	5%	RMC1/10T 104J	J24205104				
R 3078	CHIP RES.	150K	1/10W	5%	RMC1/10T 154J	J24205154				
R 3079	CHIP RES.	0	1/10W	5%	RMC1/10T 000J	J24205000				
R 3080	CHIP RES.	10K	1/10W	5%	RMC1/10T 103J	J24205103				
R 3081	CHIP RES.	100K	1/10W	5%	RMC1/10T 104J	J24205104				
R 3082	CHIP RES.	3.3K	1/10W	5%	RMC1/10T 332J	J24205332				
R 3083	CHIP RES.	1M	1/10W	5%	RMC1/10T 105J	J24205105				
R 3084	CHIP RES.	33K	1/10W	5%	RMC1/10T 333J	J24205333				
R 3085	CHIP RES.	150K	1/10W	5%	RMC1/10T 154J	J24205154				
R 3086	CHIP RES.	150K	1/10W	5%	RMC1/10T 154J	J24205154				
R 3087	CHIP RES.	10K	1/10W	5%	RMC1/10T 103J	J24205103				
R 3088	CHIP RES.	3.3K	1/10W	5%	RMC1/10T 332J	J24205332				
R 3089	CHIP RES.	4.7K	1/10W	5%	RMC1/10T 472J	J24205472				
R 3090	CHIP RES.	100K	1/10W	5%	RMC1/10T 104J	J24205104				
R 3091	CHIP RES.	3.9K	1/10W	5%	RMC1/10T 392J	J24205392				
R 3092	CHIP RES.	33K	1/10W	5%	RMC1/10T 333J	J24205333				
R 3094	CHIP RES.	47K	1/10W	5%	RMC1/10T 473J	J24205473				
R 3095	CHIP RES.	33K	1/10W	5%	RMC1/10T 333J	J24205333				
R 3096	CHIP RES.	100	1/10W	5%	RMC1/10T 101J	J24205101				
R 3097	CHIP RES.	100	1/10W	5%	RMC1/10T 101J	J24205101				
R 3098	CHIP RES.	10K	1/10W	5%	RMC1/10T 103J	J24205103				
R 3099	CHIP RES.	100K	1/10W	5%	RMC1/10T 104J	J24205104				
R 3100	CHIP RES.	47K	1/10W	5%	RMC1/10T 473J	J24205473				
R 3101	CHIP RES.	100K	1/10W	5%	RMC1/10T 104J	J24205104				
R 3102	CHIP RES.	1K	1/10W	5%	RMC1/10T 102J	J24205102				
R 3104	CHIP RES.	33K	1/10W	5%	RMC1/10T 333J	J24205333				
R 3105	CHIP RES.	150K	1/10W	5%	RMC1/10T 154J	J24205154				
R 3106	CHIP RES.	150K	1/10W	5%	RMC1/10T 154J	J24205154				
R 3107	CHIP RES.	100K	1/10W	5%	RMC1/10T 104J	J24205104				
R 3108	CHIP RES.	33K	1/10W	5%	RMC1/10T 333J	J24205333				
R 3109	CHIP RES.	2.2K	1/10W	5%	RMC1/10T 222J	J24205222				
R 3110	CHIP RES.	180K	1/10W	5%	RMC1/10T 184J	J24205184				
R 3111	CHIP RES.	47K	1/10W	5%	RMC1/10T 473J	J24205473				
R 3112	CHIP RES.	47K	1/10W	5%	RMC1/10T 473J	J24205473				
R 3114	CHIP RES.	33K	1/10W	5%	RMC1/10T 333J	J24205333				
R 3115	CHIP RES.	100K	1/10W	5%	RMC1/10T 104J	J24205104				
R 3117	CHIP RES.	47K	1/10W	5%	RMC1/10T 473J	J24205473				
R 3118	CHIP RES.	1K	1/10W	5%	RMC1/10T 102J	J24205102				
R 3119	CHIP RES.	1K	1/10W	5%	RMC1/10T 102J	J24205102				
R 3122	CHIP RES.	180K	1/10W	5%	RMC1/10T 184J	J24205184				
R 3124	CHIP RES.	100K	1/10W	5%	RMC1/10T 104J	J24205104				
R 3127	CHIP RES.	100K	1/10W	5%	RMC1/10T 104J	J24205104				
R 3128	CHIP RES.	33K	1/10W	5%	RMC1/10T 333J	J24205333				
R 3129	CHIP RES.	47K	1/10W	5%	RMC1/10T 473J	J24205473				
R 3130	CHIP RES.	47K	1/10W	5%	RMC1/10T 473J	J24205473				
R 3131	CHIP RES.	47K	1/10W	5%	RMC1/10T 473J	J24205473				
R 3135	CHIP RES.	1K	1/10W	5%	RMC1/10T 102J	J24205102				

AF Unit

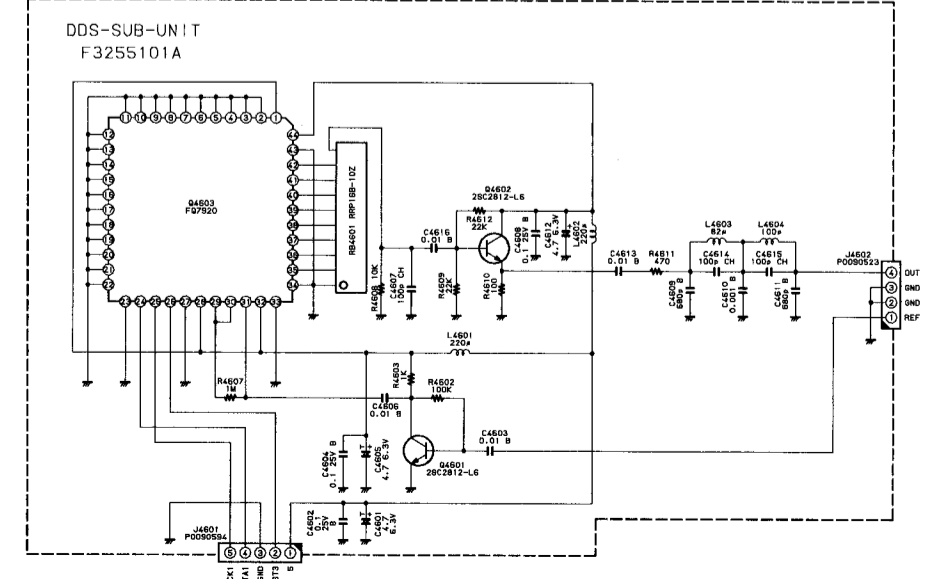
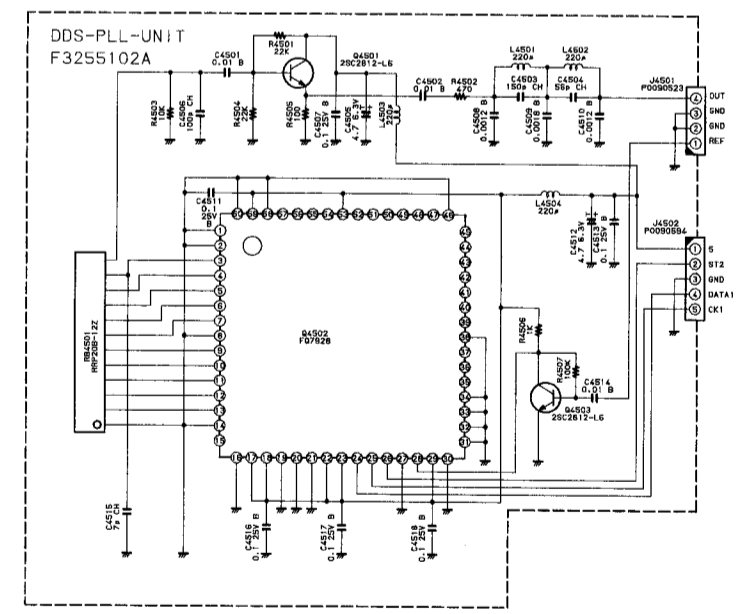
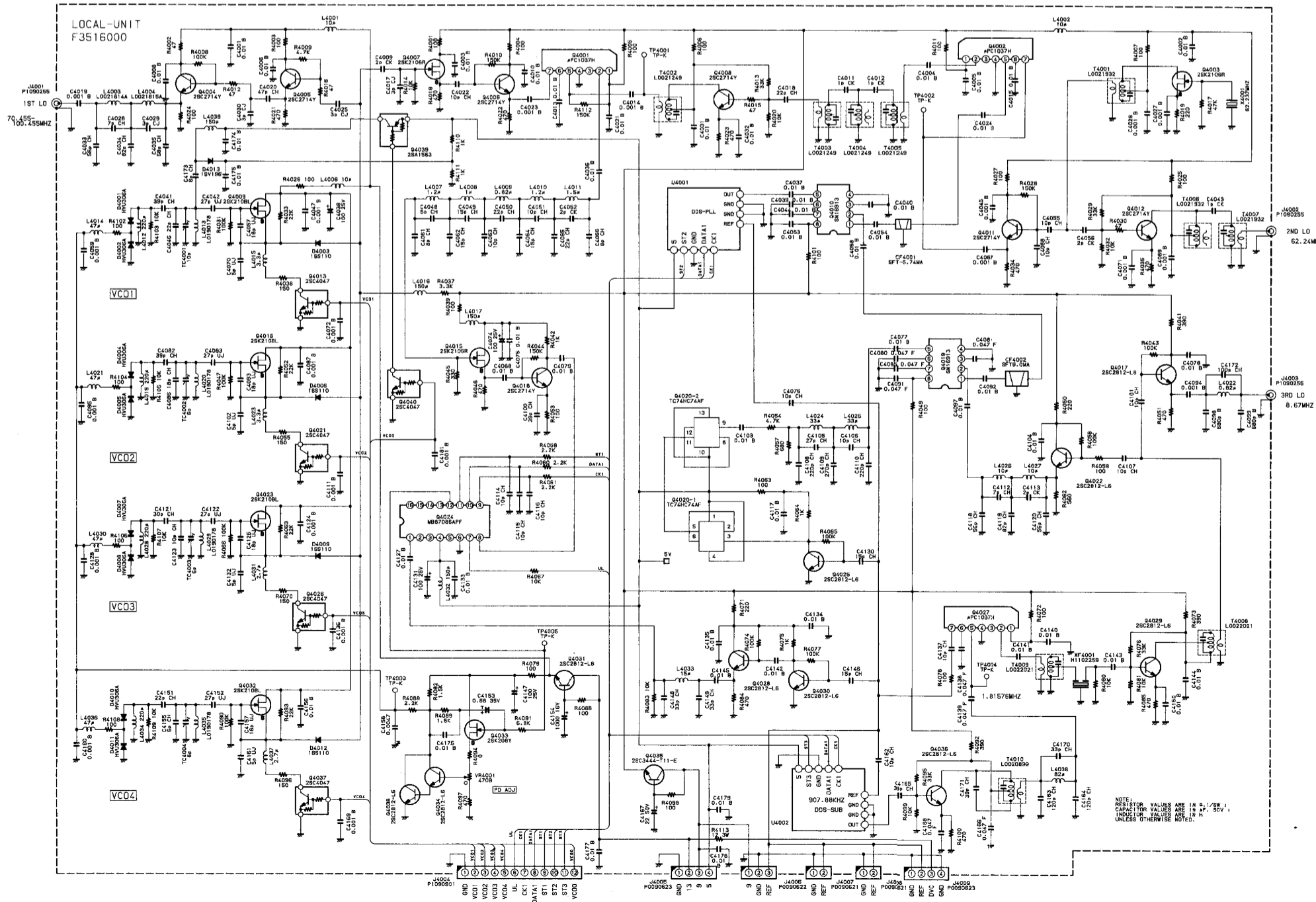
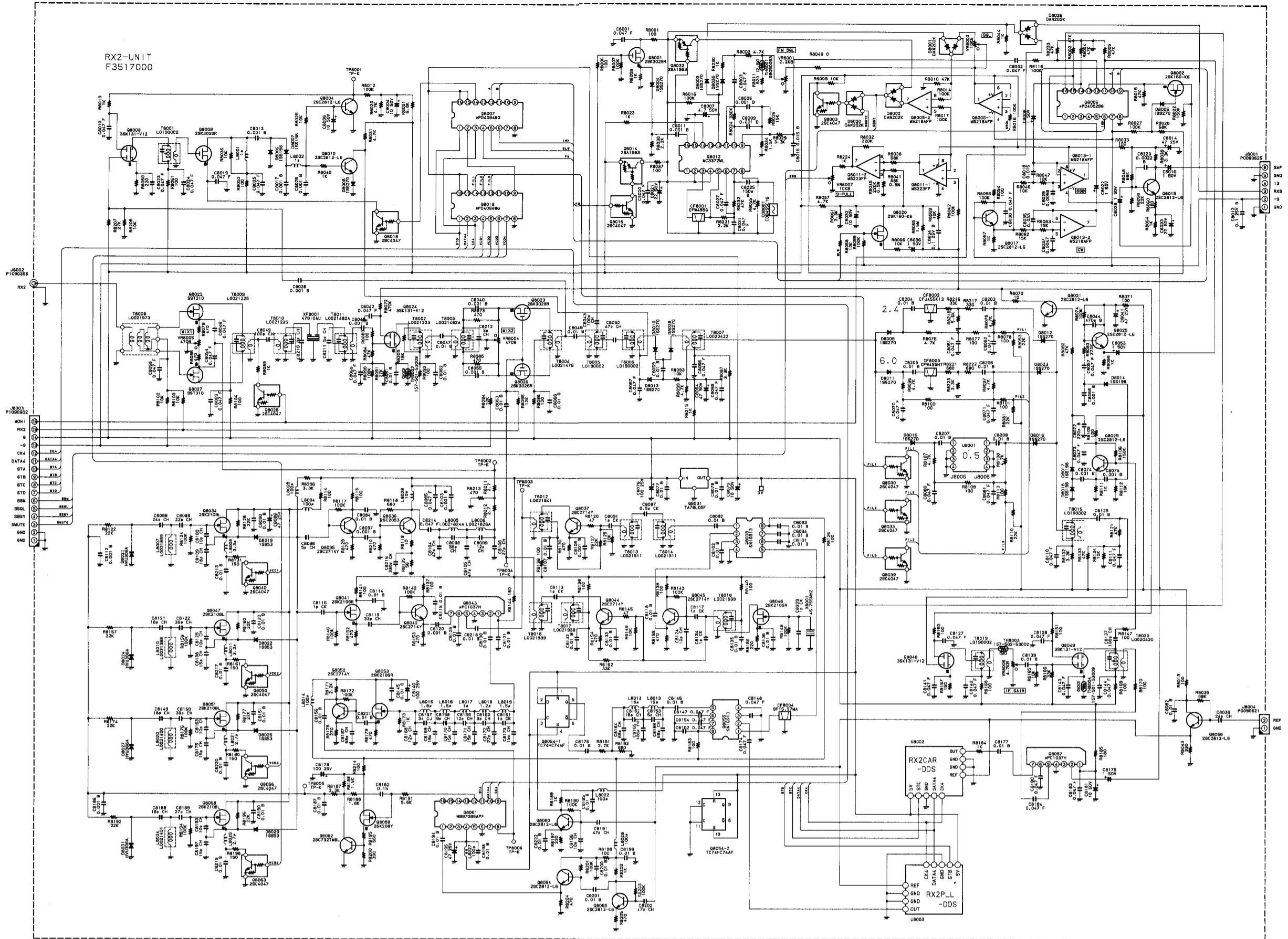
REF.	DESCRIPTION	VALUE	WV	TOL.	MFGR'S DESIG	YAESU P/N	VERS.	LOT.	LAY ADR
R 3136	CHIP RES.	1K	1/10W	5%	RMC1/10T 102J	J24205102			
R 3137	CHIP RES.	0	1/10W	5%	RMC1/10T 000J	J24205000			
R 3138	CHIP RES.	68K	1/10W	5%	RMC1/10T 683J	J24205683			
R 3139	CHIP RES.	100	1/10W	5%	RMC1/10T 101J	J24205101			
R 3140	CHIP RES.	100K	1/10W	5%	RMC1/10T 104J	J24205104			
R 3141	CHIP RES.	33K	1/10W	5%	RMC1/10T 333J	J24205333			
R 3142	CHIP RES.	3. 3K	1/10W	5%	RMC1/10T 332J	J24205332			
R 3143	CHIP RES.	4. 7K	1/10W	5%	RMC1/10T 472J	J24205472			
R 3144	CHIP RES.	1K	1/10W	5%	RMC1/10T 102J	J24205102			
R 3145	CHIP RES.	1K	1/10W	5%	RMC1/10T 102J	J24205102			
R 3146	CHIP RES.	47K	1/10W	5%	RMC1/10T 473J	J24205473			
R 3147	CHIP RES.	100K	1/10W	5%	RMC1/10T 104J	J24205104			
R 3148	CHIP RES.	100K	1/10W	5%	RMC1/10T 104J	J24205104			
R 3149	CHIP RES.	33K	1/10W	5%	RMC1/10T 333J	J24205333			
R 3150	CHIP RES.	1K	1/10W	5%	RMC1/10T 102J	J24205102			
R 3151	CHIP RES.	100K	1/10W	5%	RMC1/10T 104J	J24205104			
R 3152	CHIP RES.	100K	1/10W	5%	RMC1/10T 104J	J24205104			
R 3153	CHIP RES.	3. 3K	1/10W	5%	RMC1/10T 332J	J24205332			
R 3155	CHIP RES.	10K	1/10W	5%	RMC1/10T 103J	J24205103			
R 3158	CHIP RES.	100	1/10W	5%	RMC1/10T 101J	J24205101			
R 3160	CHIP RES.	3. 3K	1/10W	5%	RMC1/10T 332J	J24205332			
R 3161	CHIP RES.	47K	1/10W	5%	RMC1/10T 473J	J24205473			
R 3162	CHIP RES.	100	1/10W	5%	RMC1/10T 101J	J24205101			
R 3163	CHIP RES.	22K	1/10W	5%	RMC1/10T 223J	J24205223			
R 3164	CHIP RES.	470	1/10W	5%	RMC1/10T 471J	J24205471			
R 3166	CHIP RES.	100	1/10W	5%	RMC1/10T 101J	J24205101			
R 3167	CHIP RES.	100	1/10W	5%	RMC1/10T 101J	J24205101			
R 3169	CHIP RES.	2. 2K	1/10W	5%	RMC1/10T 222J	J24205222			
R 3170	CHIP RES.	18K	1/10W	5%	RMC1/10T 183J	J24205183			
R 3171	CHIP RES.	100K	1/10W	5%	RMC1/10T 104J	J24205104			
R 3172	CHIP RES.	68K	1/10W	5%	RMC1/10T 683J	J24205683			
R 3173	CHIP RES.	180	1/10W	5%	RMC1/10T 181J	J24205181			
R 3174	CHIP RES.	22K	1/10W	5%	RMC1/10T 223J	J24205223			
R 3176	CHIP RES.	220	1/10W	5%	RMC1/10T 221J	J24205221			
R 3177	CHIP RES.	10K	1/10W	5%	RMC1/10T 103J	J24205103			
R 3178	CHIP RES.	3. 3K	1/10W	5%	RMC1/10T 332J	J24205332			
R 3179	CHIP RES.	4. 7K	1/10W	5%	RMC1/10T 472J	J24205472			
R 3181	CHIP RES.	150	1/10W	5%	RMC1/10T 151J	J24205151			
R 3182	CHIP RES.	3. 3M	1/10W	5%	RMC1/10T 335J	J24205335			
R 3183	CHIP RES.	10K	1/10W	5%	RMC1/10T 103J	J24205103			
R 3184	CHIP RES.	2. 2K	1/10W	5%	RMC1/10T 222J	J24205222			
R 3186	CHIP RES.	1K	1/10W	5%	RMC1/10T 102J	J24205102			
R 3187	CHIP RES.	82	1/10W	5%	RMC1/10T 820J	J24205820			
R 3189	CHIP RES.	47K	1/10W	5%	RMC1/10T 473J	J24205473			
R 3190	CHIP RES.	100K	1/10W	5%	RMC1/10T 104J	J24205104			
R 3191	CHIP RES.	4. 7K	1/10W	5%	RMC1/10T 472J	J24205472			
R 3192	CHIP RES.	10K	1/10W	5%	RMC1/10T 103J	J24205103			
R 3193	CHIP RES.	2. 2K	1/10W	5%	RMC1/10T 222J	J24205222			
R 3194	CHIP RES.	2. 2K	1/10W	5%	RMC1/10T 222J	J24205222			

REF.	DESCRIPTION	VALUE	WV	TOL.	MFGR'S DESIG	YAESU P/N	VERS.	LOT.	LAY	ADR
R 3195	CHIP RES.	220	1/10W	5%	RMC1/10T 221J	J24205221				
R 3196	CHIP RES.	330	1/10W	5%	RMC1/10T 331J	J24205331				
R 3197	CHIP RES.	180	1/10W	5%	RMC1/10T 181J	J24205181				
R 3198	CHIP RES.	1K	1/10W	5%	RMC1/10T 102J	J24205102				
R 3199	CHIP RES.	470	1/10W	5%	RMC1/10T 471J	J24205471				
R 3201	CHIP RES.	4.7K	1/10W	5%	RMC1/10T 472J	J24205472				
R 3202	CHIP RES.	470	1/10W	5%	RMC1/10T 471J	J24205471				
R 3203	CHIP RES.	1K	1/10W	5%	RMC1/10T 102J	J24205102				
R 3204	CHIP RES.	47K	1/10W	5%	RMC1/10T 473J	J24205473				
R 3205	CHIP RES.	1K	1/10W	5%	RMC1/10T 102J	J24205102				
R 3206	CHIP RES.	470K	1/10W	5%	RMC1/10T 474J	J24205474				
R 3207	CHIP RES.	100K	1/10W	5%	RMC1/10T 104J	J24205104				
R 3208	CHIP RES.	10K	1/10W	5%	RMC1/10T 103J	J24205103				
R 3209	CHIP RES.	220	1/10W	5%	RMC1/10T 221J	J24205221				
R 3210	CHIP RES.	100K	1/10W	5%	RMC1/10T 104J	J24205104				
R 3211	CHIP RES.	15K	1/10W	5%	RMC1/10T 153J	J24205153				
R 3212	CHIP RES.	1K	1/10W	5%	RMC1/10T 102J	J24205102				
R 3213	CHIP RES.	330K	1/10W	5%	RMC1/10T 334J	J24205334				
R 3214	CHIP RES.	2.2K	1/10W	5%	RMC1/10T 222J	J24205222				
R 3215	CHIP RES.	10K	1/10W	5%	RMC1/10T 103J	J24205103				
R 3216	CHIP RES.	2.2K	1/10W	5%	RMC1/10T 222J	J24205222				
R 3217	CHIP RES.	4.7K	1/10W	5%	RMC1/10T 472J	J24205472				
R 3218	CHIP RES.	10K	1/10W	5%	RMC1/10T 103J	J24205103				
R 3219	CHIP RES.	10K	1/10W	5%	RMC1/10T 103J	J24205103				
R 3220	CHIP RES.	470K	1/10W	5%	RMC1/10T 474J	J24205474				
R 3221	CHIP RES.	10K	1/10W	5%	RMC1/10T 103J	J24205103				
R 3222	CHIP RES.	10K	1/10W	5%	RMC1/10T 103J	J24205103				
R 3223	CHIP RES.	1K	1/10W	5%	RMC1/10T 102J	J24205102				
R 3224	CHIP RES.	1K	1/10W	5%	RMC1/10T 102J	J24205102				
R 3225	CHIP RES.	47K	1/10W	5%	RMC1/10T 473J	J24205473				
R 3226	CHIP RES.	56K	1/10W	5%	RMC1/10T 563J	J24205563				
R 3227	CHIP RES.	47K	1/10W	5%	RMC1/10T 473J	J24205473				
R 3228	CHIP RES.	56K	1/10W	5%	RMC1/10T 563J	J24205563				
R 3229	CHIP RES.	47K	1/10W	5%	RMC1/10T 473J	J24205473				
R 3230	CHIP RES.	47K	1/10W	5%	RMC1/10T 473J	J24205473				
R 3232	CARBON FILM RES.	1	1/6W	5%	RD16TPJ010	J07225010				
R 3233	CHIP RES.	47K	1/10W	5%	RMC1/10T 473J	J24205473				
R 3234	CHIP RES.	4.7K	1/10W	5%	RMC1/10T 472J	J24205472				
R 3238	CHIP RES.	4.7K	1/10W	5%	RMC1/10T 472J	J24205472				
R 3239	CHIP RES.	4.7K	1/10W	5%	RMC1/10T 472J	J24205472				
R 3240	CARBON FILM RES.	47K	1/6W	5%	RD16TPJ473	J07225473				
R 3241	CHIP RES.	18K	1/10W	5%	RMC1/10T 183J	J24205183				
R 3242	CHIP RES.	330	1/10W	5%	RMC1/10T 331J	J24205331				
R 3243	CHIP RES.	2.2K	1/10W	5%	RMC1/10T 222J	J24205222				
R 3244	CHIP RES.	10K	1/10W	5%	RMC1/10T 103J	J24205103				
R 3245	CHIP RES.	100K	1/10W	5%	RMC1/10T 104J	J24205104				
R 3246	CHIP RES.	4.7K	1/10W	5%	RMC1/10T 472J	J24205472				
R 3247	CHIP RES.	100K	1/10W	5%	RMC1/10T 104J	J24205104				
R 3248	CHIP RES.	100K	1/10W	5%	RMC1/10T 104J	J24205104				

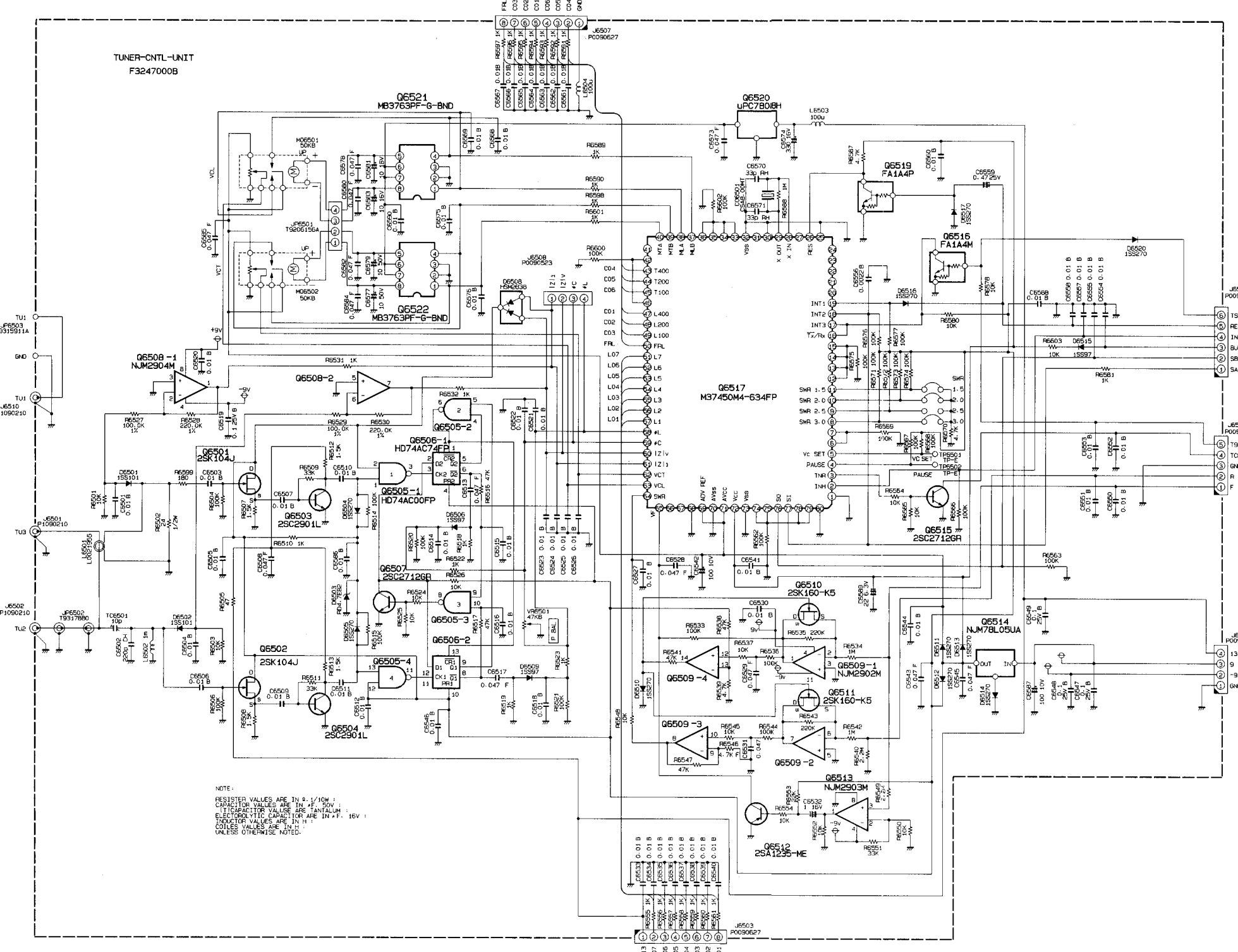
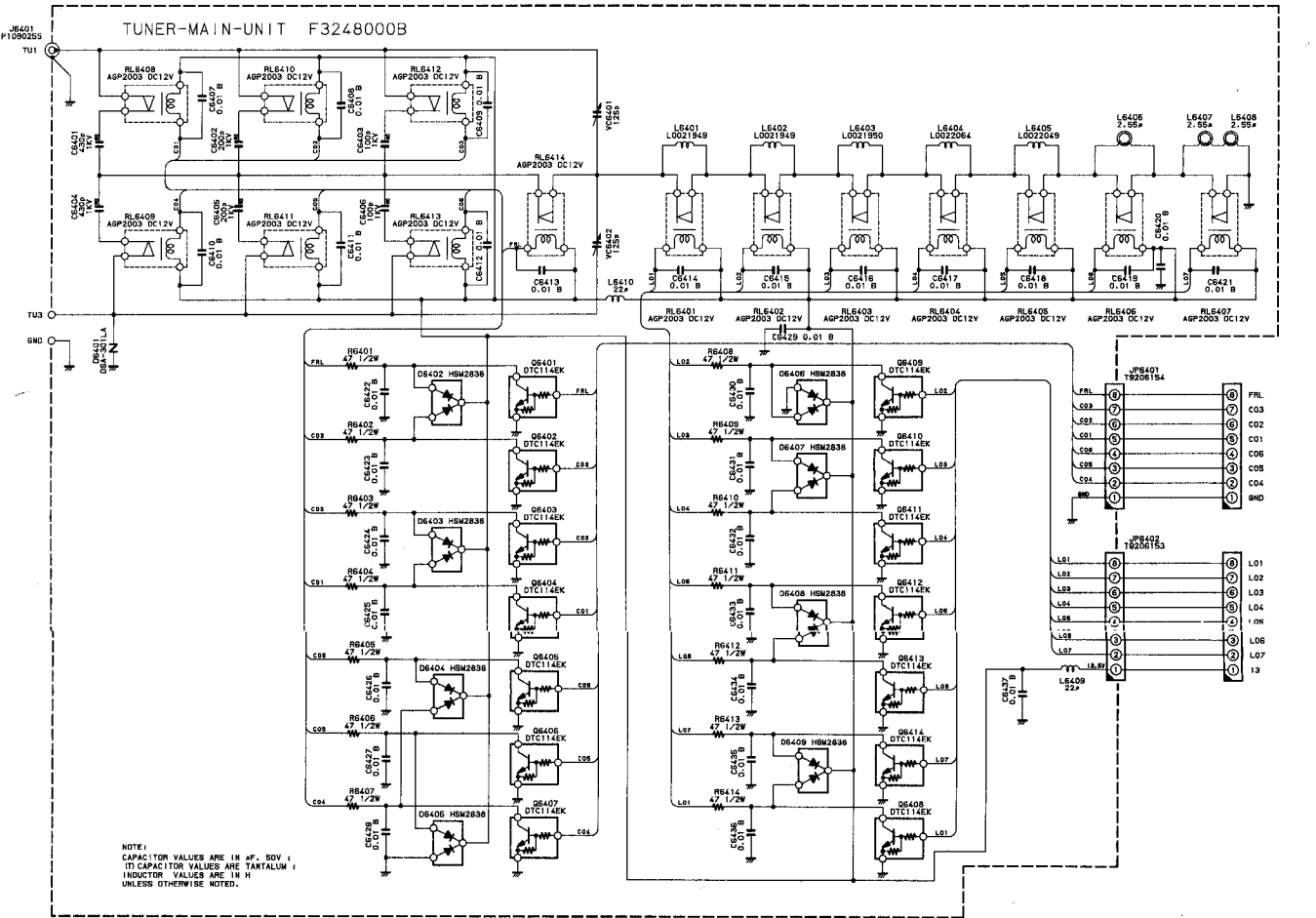
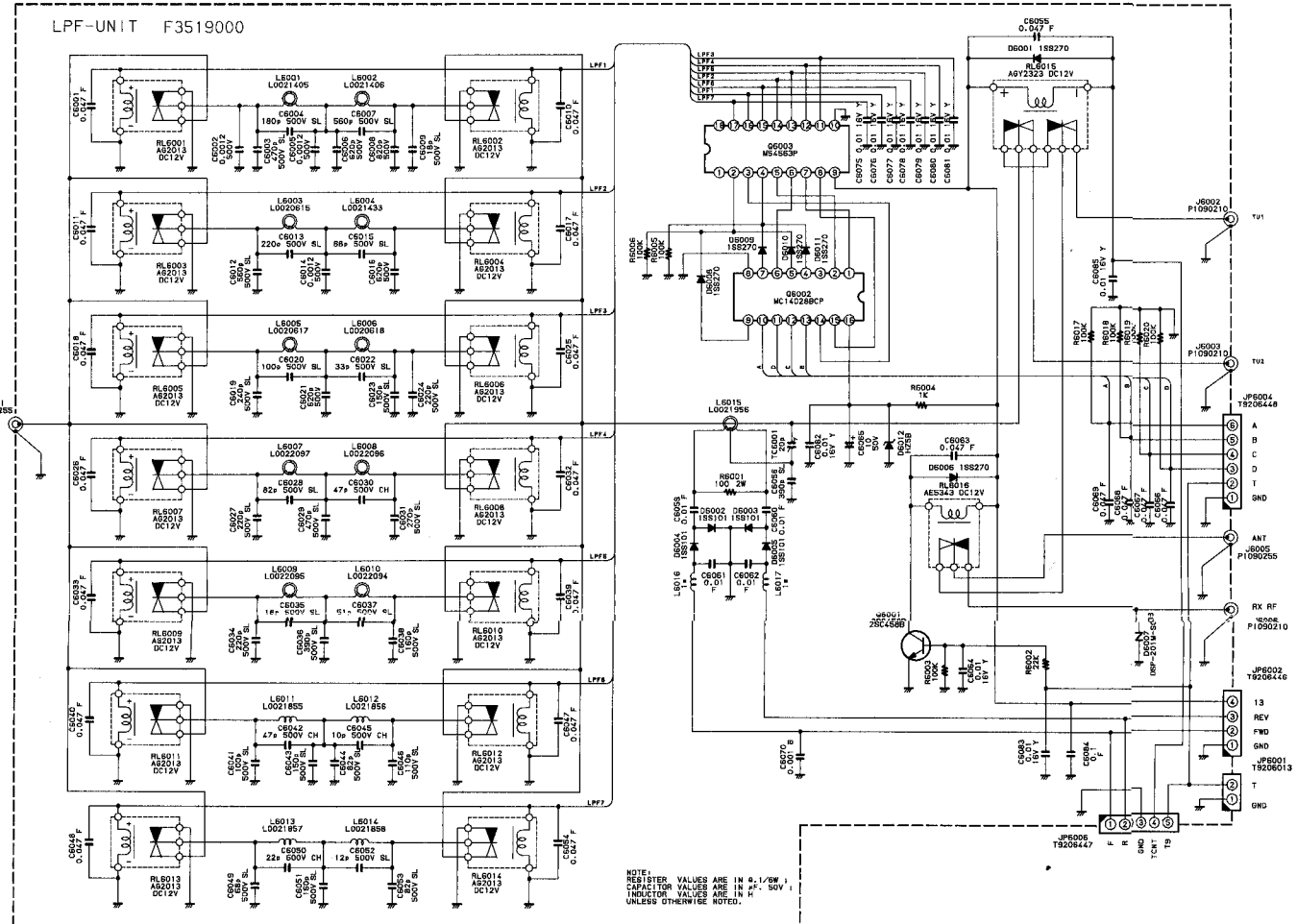
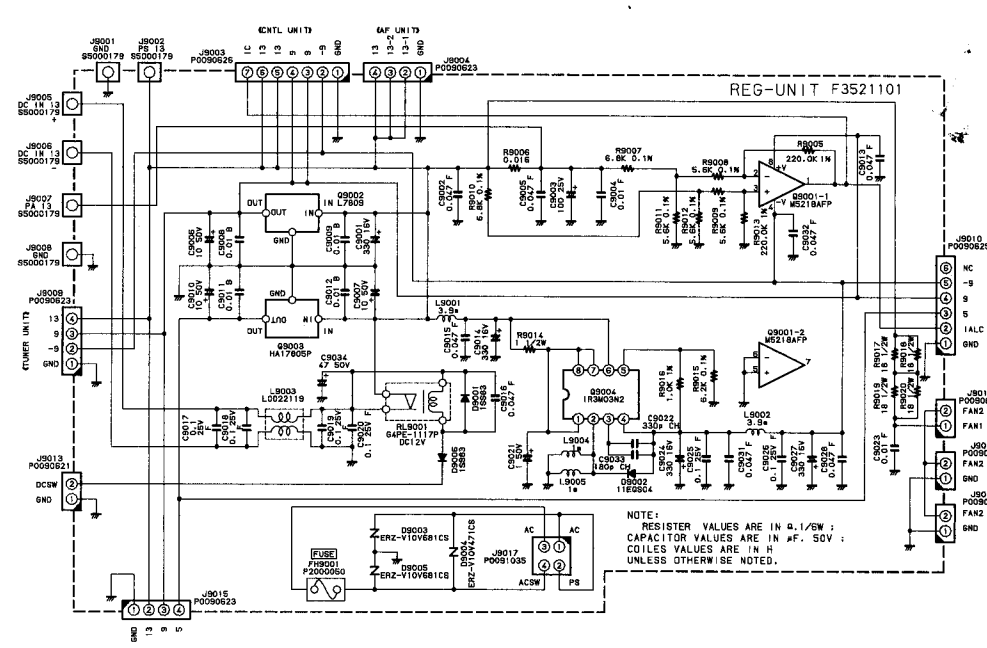
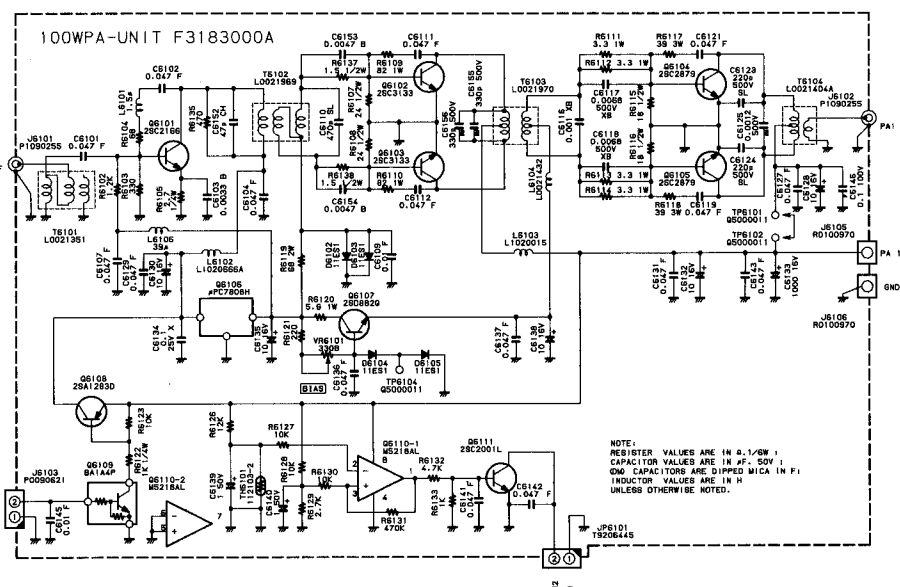
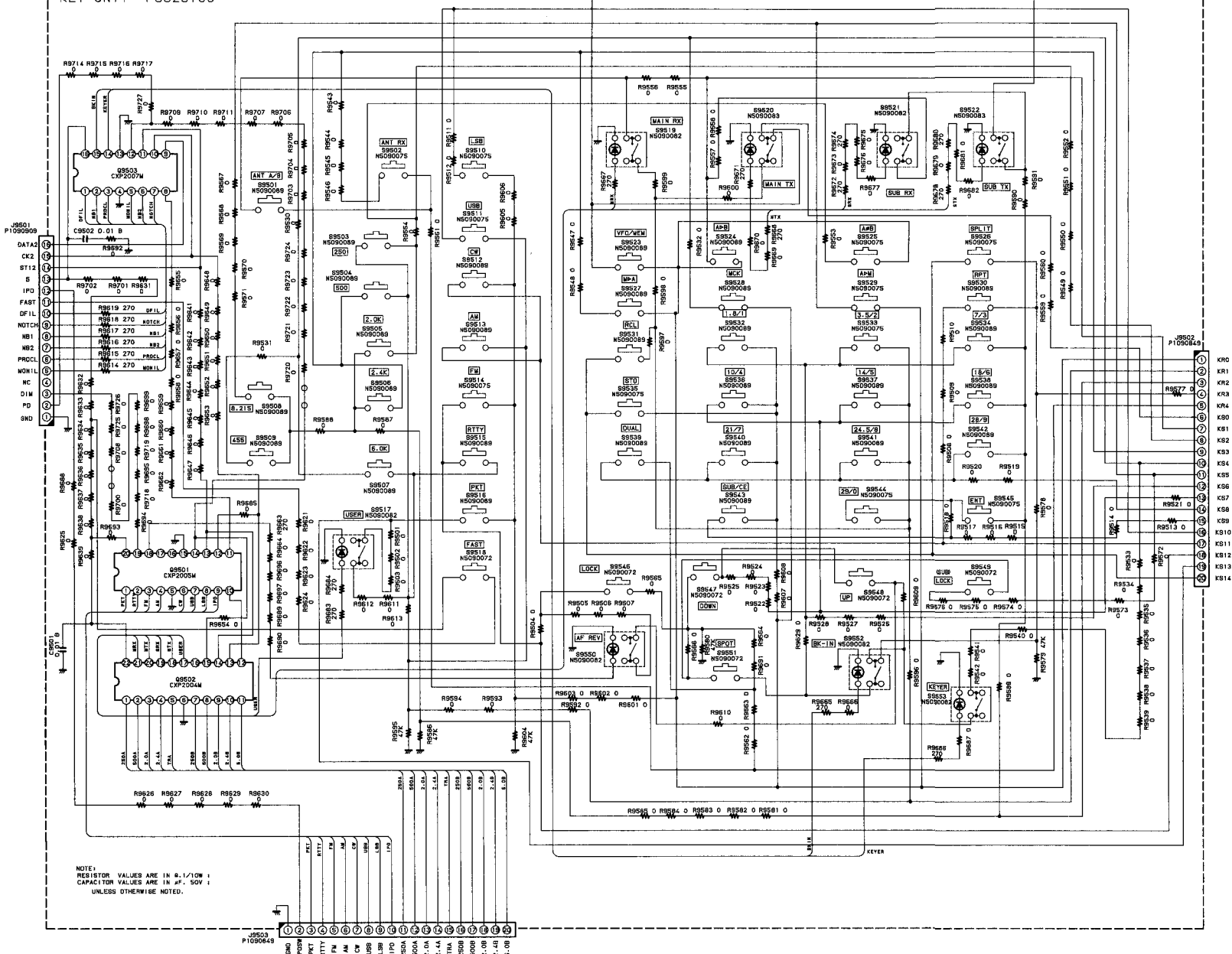
AF Unit

REF.	DESCRIPTION	VALUE	WV	TOL.	MFGR'S DESIG	YAESU P/N	VERS.	LOT.	LAY	ADR
R 3249	CHIP RES.	100K	1/10W	5%	RMC1/10T 104J	J24205104				
R 3250	CHIP RES.	47K	1/10W	5%	RMC1/10T 473J	J24205473				
R 3251	CHIP RES.	8.2K	1/10W	5%	RMC1/10T 822J	J24205822				
R 3252	CARBON FILM RES.	100K	1/6W	5%	RD16PJ104	J01225104				
R 3253	CHIP RES.	10K	1/10W	5%	RMC1/10T 103J	J24205103				
R 3254	CHIP RES.	27K	1/10W	5%	RMC1/10T 273J	J24205273				
R 3255	CHIP RES.	270	1/10W	5%	RMC1/10T 271J	J24205271				
R 3256	CHIP RES.	1K	1/10W	5%	RMC1/10T 102J	J24205102				
R 3257	CHIP RES.	1K	1/10W	5%	RMC1/10T 102J	J24205102				
R 3258	CHIP RES.	100K	1/10W	5%	RMC1/10T 104J	J24205104				
R 3259	CHIP RES.	100	1/10W	5%	RMC1/10T 101J	J24205101				
R 3260	CHIP RES.	47K	1/10W	5%	RMC1/10T 473J	J24205473				
R 3261	CHIP RES.	47K	1/10W	5%	RMC1/10T 473J	J24205473				
R 3262	CHIP RES.	10K	1/10W	5%	RMC1/10T 103J	J24205103				
R 3264	CHIP RES.	100K	1/10W	5%	RMC1/10T 104J	J24205104				
R 3265	CHIP RES.	10K	1/10W	5%	RMC1/10T 103J	J24205103				
R 3266	CHIP RES.	10K	1/10W	5%	RMC1/10T 103J	J24205103				
R 3267	CHIP RES.	10K	1/10W	5%	RMC1/10T 103J	J24205103				
R 3268	CHIP RES.	120K	1/10W	5%	RMC1/10T 124J	J24205124				
R 3269	CHIP RES.	47K	1/10W	5%	RMC1/10T 473J	J24205473				
R 3270	CHIP RES.	10K	1/10W	5%	RMC1/10T 103J	J24205103				
R 3272	CHIP RES.	100	1/10W	5%	RMC1/10T 101J	J24205101				
R 3273	CHIP RES.	47K	1/10W	5%	RMC1/10T 473J	J24205473				
R 3274	CHIP RES.	100K	1/10W	5%	RMC1/10T 104J	J24205104				
R 3275	CHIP RES.	180	1/10W	5%	RMC1/10T 181J	J24205181				
R 3276	CHIP RES.	47K	1/10W	5%	RMC1/10T 473J	J24205473				
R 3277	CHIP RES.	47K	1/10W	5%	RMC1/10T 473J	J24205473				
R 3278	CHIP RES.	47K	1/10W	5%	RMC1/10T 473J	J24205473				
R 3279	CHIP RES.	0	1/10W	5%	RMC1/10T 000J	J24205000				
R 3280	CHIP RES.	180	1/10W	5%	RMC1/10T 181J	J24205181				
R 3281	CHIP RES.	100K	1/10W	5%	RMC1/10T 104J	J24205104				
R 3282	CARBON FILM RES.	330	1/6W	5%	RD16TPJ331	J07225331				
R 3283	CHIP RES.	100K	1/10W	5%	RMC1/10T 104J	J24205104				
R 3284	CHIP RES.	100K	1/10W	5%	RMC1/10T 104J	J24205104				
R 3285	CHIP RES.	100K	1/10W	5%	RMC1/10T 104J	J24205104				
R 3286	CHIP RES.	100K	1/10W	5%	RMC1/10T 104J	J24205104				
R 3287	CHIP RES.	1K	1/10W	5%	RMC1/10T 102J	J24205102				
R 3288	CHIP RES.	1K	1/10W	5%	RMC1/10T 102J	J24205102				
R 3289	CHIP RES.	3.3K	1/10W	5%	RMC1/10T 332J	J24205332				
R 3290	CHIP RES.	2.7K	1/10W	5%	RMC1/10T 272J	J24205272				
R 3291	CHIP RES.	3.3K	1/10W	5%	RMC1/10T 332J	J24205332				
R 3292	CHIP RES.	2.7K	1/10W	5%	RMC1/10T 272J	J24205272				
R 3293	CHIP RES.	2.2K	1/10W	5%	RMC1/10T 222J	J24205222				
R 3294	CHIP RES.	1K	1/10W	5%	RMC1/10T 102J	J24205102				
R 3295	CHIP RES.	10K	1/10W	5%	RMC1/10T 103J	J24205103				
R 3296	CHIP RES.	1.5K	1/10W	5%	RMC1/10T 152J	J24205152				
R 3297	CHIP RES.	6.8K	1/10W	5%	RMC1/10T 682J	J24205682				
R 3298	CHIP RES.	10K	1/10W	5%	RMC1/10T 103J	J24205103				
R 3299	CHIP RES.	470K	1/10W	5%	RMC1/10T 474J	J24205474				

REF.	DESCRIPTION	VALUE	WV	TOL.	MFGR'S DESIG	YAESU P/N	VERS.	LOT.	LAY	ADR
R 3300	CHIP RES.	470K	1/10W	5%	RMC1/10T 474J	J24205474				
R 3301	CHIP RES.	47K	1/10W	5%	RMC1/10T 473J	J24205473				
R 3302	CHIP RES.	4. 7K	1/10W	5%	RMC1/10T 472J	J24205472				
R 3303	CHIP RES.	1K	1/10W	5%	RMC1/10T 102J	J24205102				
R 3304	CHIP RES.	10K	1/10W	5%	RMC1/10T 103J	J24205103				
R 3305	CHIP RES.	2. 2M	1/10W	5%	RMC1/10T 225J	J24205225				
R 3306	CHIP RES.	10K	1/10W	5%	RMC1/10T 103J	J24205103				
R 3307	CHIP RES.	1K	1/10W	5%	RMC1/10T 102J	J24205102				
R 3308	CHIP RES.	1K	1/10W	5%	RMC1/10T 102J	J24205102				
R 3309	CHIP RES.	4. 7K	1/10W	5%	RMC1/10T 472J	J24205472				
R 3310	CHIP RES.	4. 7K	1/10W	5%	RMC1/10T 472J	J24205472				
R 3311	CHIP RES.	10K	1/10W	5%	RMC1/10T 103J	J24205103				
R 3314	CHIP RES.	1M	1/10W	5%	RMC1/10T 105J	J24205105				
R 3315	CARBON FILM RES.	10K	1/6W	5%	RD16TPJ103	J07225103				
R 3316	CARBON FILM RES.	10K	1/6W	5%	RD16TPJ103	J07225103				
R 3317	CARBON FILM RES.	68K	1/6W	5%	RD16TPJ683	J07225683				
R 3318	CARBON FILM RES.	1K	1/6W	5%	RD16TPJ102	J07225102				
R 3319	CARBON FILM RES.	100K	1/6W	5%	RD16PJ104	J01225104				
R 3320	CHIP RES.	10K	1/10W	5%	RMC1/10T 103J	J24205103				
R 3321	CHIP RES.	100K	1/10W	5%	RMC1/10T 104J	J24205104				
R 3322	CHIP RES.	47K	1/10W	5%	RMC1/10T 473J	J24205473				
RL3001	RELAY		DC12V		AG4013	M1190090				
S 3001	SLIDE SWITCH				SSSS912N-2A-OR	N6090094				
S 3002	SLIDE SWITCH				SSSS912N-2A-OR	N6090094				
VR3001	POT.	10K		B	RH0638C14R 10KB	J51808103				
VR3002	POT.	10K		B	RH0638C14R 10KB	J51808103				
VR3003	POT.	10K		B	RH0638C14R 10KB	J51808103				
VR3005	POT.	10K		B	RH0638C14R 10KB	J51808103				
VR3006	POT.	2. 2K		B	RH0638CJ3R 2. 2KB	J51808222				
VR3007	POT.	4. 7K		B	RH0638CS3R 4. 7KB	J51808472				
VR3008	POT.	10K		B	RH0638C14R 10KB	J51808103				
VR3009	POT.	10K		B	RH0638C14R 10KB	J51808103				
VR3010	POT.	1K		B	RH0638C13R 1KB	J51808102				
VR3011	POT.	10K		B	RH0638C14R 10KB	J51808103				
VR3012	POT.	10K		B	RH0638C14R 10KB	J51808103				
VR3013	POT.	10K		B	RH0638C14R 10KB	J51808103				
VR3014	POT.	10K		B	RH0638C14R 10KB	J51808103				
VR3015	POT.	10K		B	RH0638C14R 10KB	J51808103				
	THERMAL CONDUCTOR					Q9000548				
	NUT BOARD					R0102810				
	SHIELD COVER					R0131640				
	HEATSINK PLATE					R0132050				
	CARD SPACER (2pcs)					S6000191				

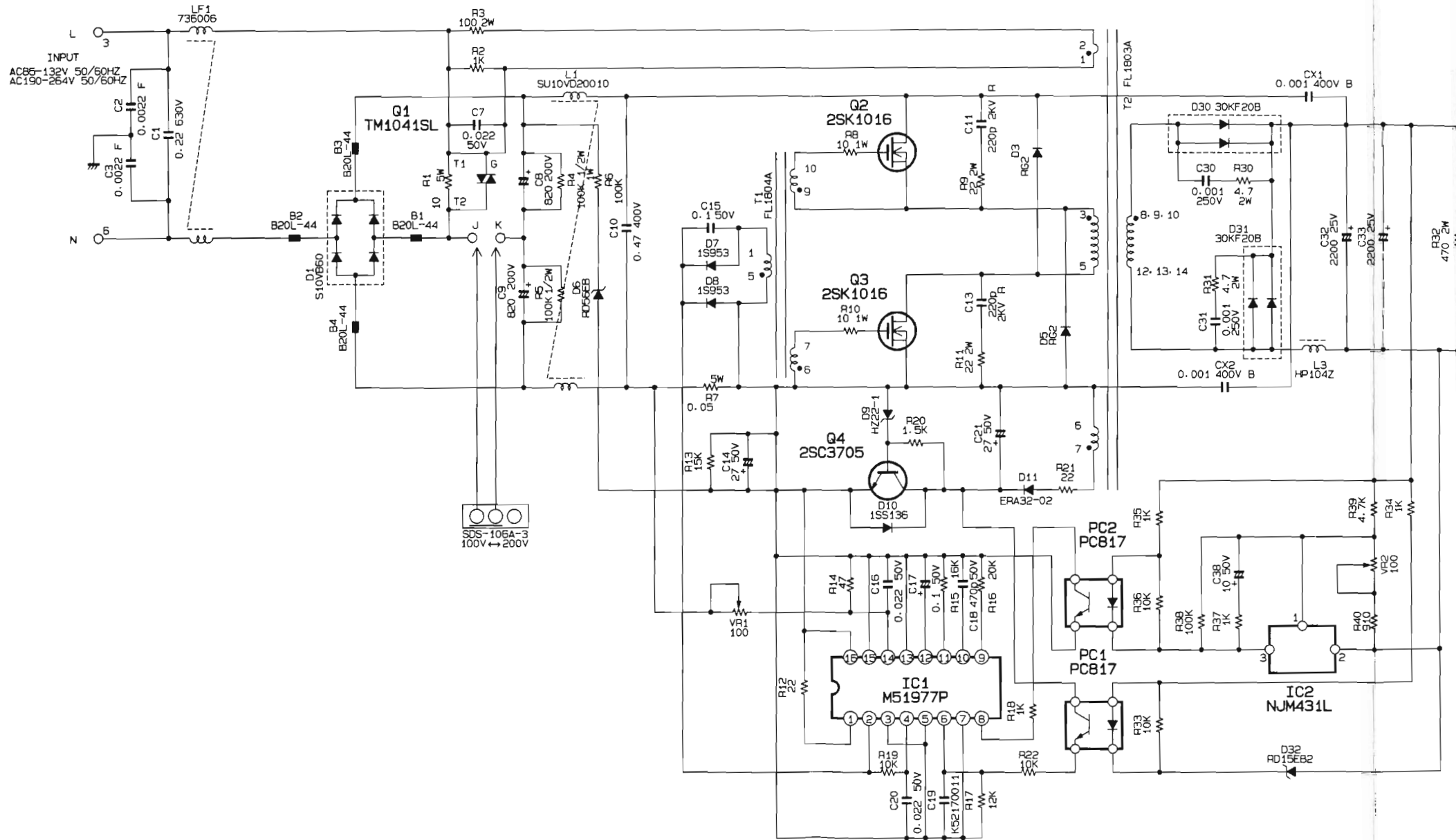


KEY-UNIT F3526100

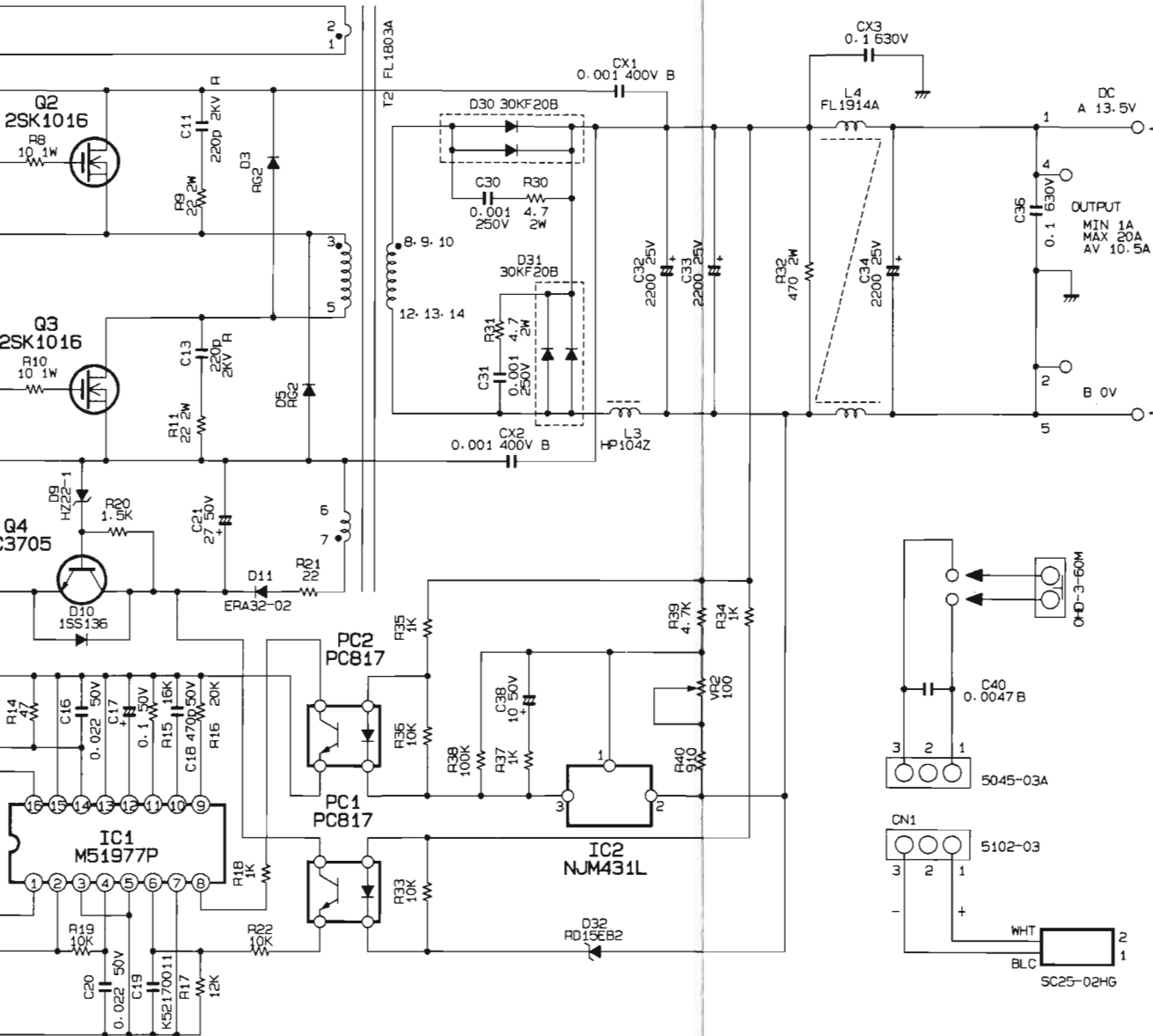


Circuit Diagram

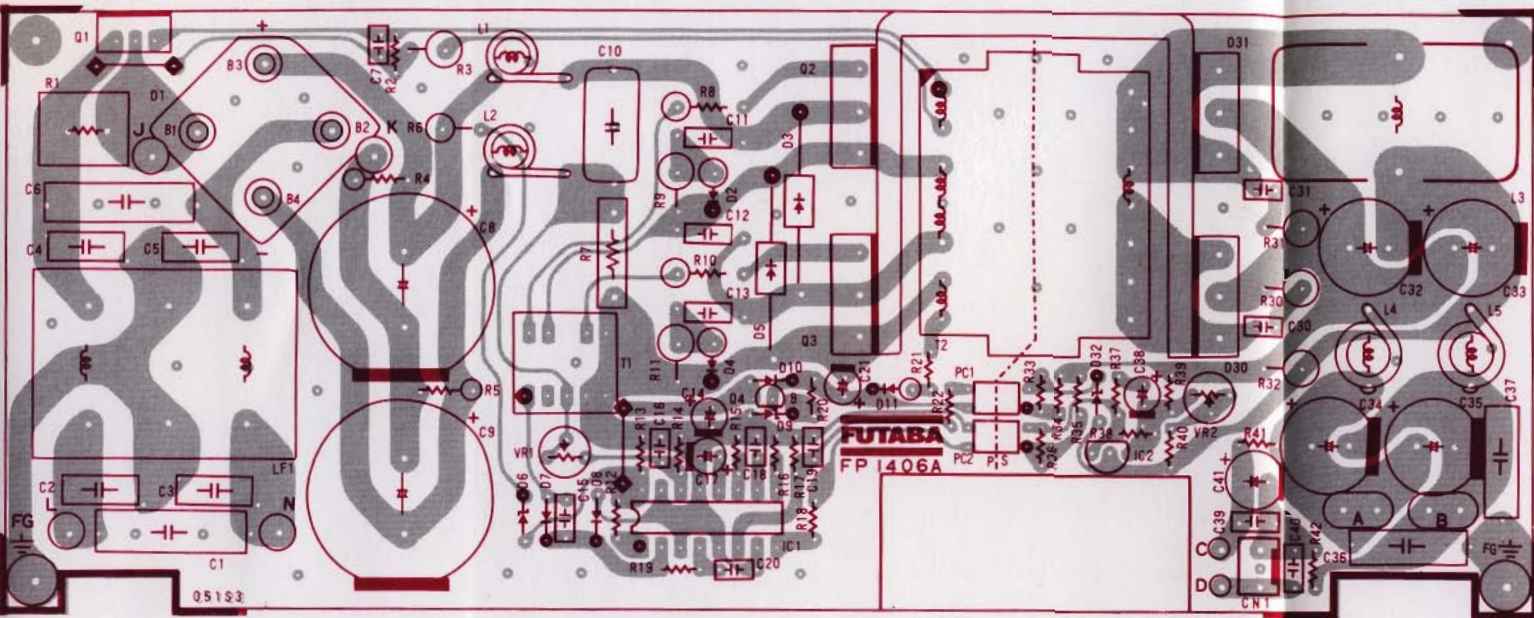
⚠ WARNING! - high voltages present



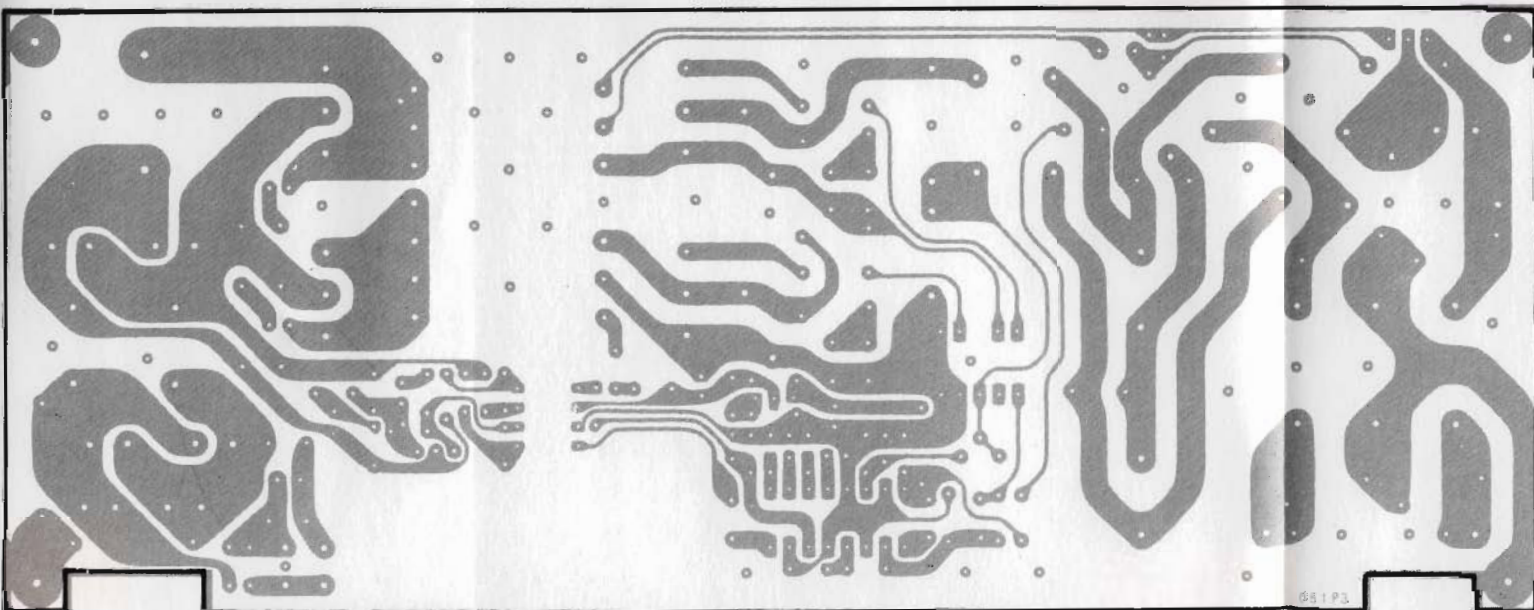
NOTE:
 RESISTOR VALUES ARE IN Ω, 1/6W ;
 CAPACITOR VALUES ARE IN μF, 50V ;
 INDUCTOR VALUES ARE IN H ;
 COILS VALUES ARE IN H ;
 UNLESS OTHERWISE NOTED.



Parts Layout



obverse view of component side



051P3

obverse view of solder side

Parts List

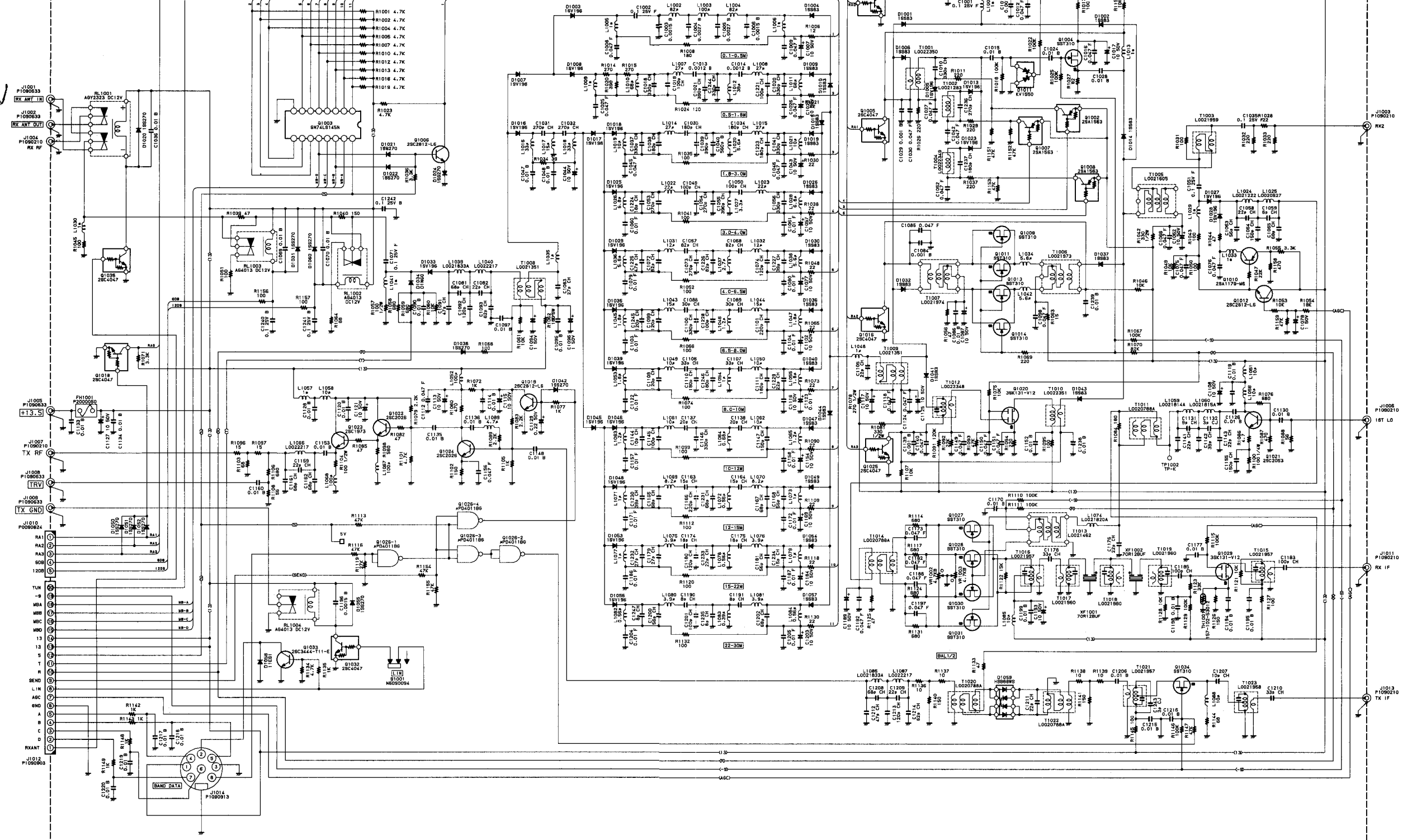
REF.	DESCRIPTION	VALUE	WV	TOL.	MFR'S DESIG	YAESU P/N	VERS.	LOT.	LAY	ADR
*** PS UNIT ***										
B 0001	FERITE BEADS				B20L-44	L9190071				
B 0002	FERITE BEADS				B20L-44	L9190071				
B 0003	FERITE BEADS				B20L-44	L9190071				
B 0004	FERITE BEADS				B20L-44	L9190071				
C 0001	FILM CAP.	0.22uF	630V		MMH224K630	K52280006				
C 0002	CERAMIC CAP.	0.0022uF		F	DE7100F222MVA1-KC	K13269003				
C 0003	CERAMIC CAP.	0.0022uF		F	DE7100F222MVA1-KC	K13269003				
C 0007	FILM CAP.	0.22uF	50V		AMZ223K50	K52170008				
C 0008	AL. ELECTRO. CAP.	820uF	200V		CEAWF2D821M20	K40239004				
C 0009	AL. ELECTRO. CAP.	820uF	200V		CEAWF2D821M20	K40239004				
C 0010	FILM CAP.	0.47uF	400V		ECQB4474KF	K52260001				
C 0011	CERAMIC CAP.	220pF	2KV	R	DE5077R221K2K	K10339001				
C 0013	CERAMIC CAP.	220pF	2KV	R	DE5077R221K2K	K10339001				
C 0014	AL. ELECTRO. CAP.	27uF	50V		ECEA1HFE270	K40179051				
C 0015	FILM CAP.	0.1uF	50V		AMZ104K50	K52170009				
C 0016	FILM CAP.	0.022uF	50V		AMZ223K50	K52170008				
C 0017	AL. ELECTRO. CAP.	0.1uF	50V		CEUSM1HR10	K40179054				
C 0018	FILM CAP.	470pF	50V		AMZ471K50	K52170010				
C 0019	FILM CAP.	0.047uF	50V		AMZ473K50	K52170011				
C 0020	FILM CAP.	0.022uF	50V		AMZ223K50	K52170008				
C 0021	AL. ELECTRO. CAP.	27uF	50V		ECEA1HFE270	K40179051				
C 0030	FILM CAP.	0.001uF	250V		AMZ102K250	K52240005				
C 0031	FILM CAP.	0.001uF	250V		AMZ102K250	K52240005				
C 0032	AL. ELECTRO. CAP.	2200uF	25V		ECA1EFQ222L	K40149038				
C 0033	AL. ELECTRO. CAP.	2200uF	25V		ECA1EFQ222L	K40149038				
C 0034	AL. ELECTRO. CAP.	2200uF	25V		ECA1EFQ222L	K40149038				
C 0036	FILM CAP.	0.1uF	630V		MMH104K630	K52280007				
C 0038	AL. ELECTRO. CAP.	10uF	50V		CEUSM1H100	K40179053				
C 0040	CERAMIC CAP.	0.0047uF	50V	B	DD108B472K50	K10179038				
CN0001	CONNECTOR				5045-03A	P0090219				
CX0001	CERAMIC CAP.	0.001uF	400V	B	DE7090B102KVA1-KC	K10269002				
CX0002	CERAMIC CAP.	0.001uF	400V	B	DE7090B102KVA1-KC	K10269002				
CX0003	FILM CAP.	0.01uF	630V		MMH103K630	K52280008				
D 0001	DIODE				S10VB60	G2090501				
D 0003	DIODE				RG2	G2090502				
D 0005	DIODE				RG2	G2090502				
D 0006	DIODE				RD56EB	G2090503				
D 0007	DIODE				1S953	G2009530				
D 0008	DIODE				1S953	G2009530				
D 0009	DIODE				HZ22-1	G2090455				
D 0010	DIODE				1SS136	G2090504				
D 0011	DIODE				ERA32-02	G2090505				
D 0030	DIODE				30KF20B	G2090506				

PS Unit

REF.	DESCRIPTION	VALUE	WV	TOL.	MFGR'S DESIG	YAESU P/N	VERS.	LOT.	LAY	ADR
D 0031	DIODE				30KF20B	G2090506				
D 0032	DIODE				RD15EB2	G2090507				
IC0001	IC				M51977P	G1091275				
IC0002	IC				NJM431L	G1091276				
L 0001	RFC				SU10VD20010	S8100251				
L 0003	RFC				HP104Z	S8100205				
L 0004	RFC				FL1914A	S8100252				
LF0001	LINE FILTER				736006	S8100201				
PC0001	PHOTO COUPLER				PC817	G0090006				
PC0002	PHOTO COUPLER				PC817	G0090006				
Q 0001	TRIAC				TM1041SL	G3090096				
Q 0002	FET				2SK1016	G3810160				
Q 0003	FET				2SK1016	G3810160				
Q 0004	TRANSISTOR				2SC3705	G3337050				
R 0001	FUSE RES.	10	5W		A53K10J	J31379001				
R 0002	CARBON FILM RES.	1K	1/6W		RD16PJ102	J01225102				
R 0003	METAL FILM RES.	100	2W		ERG-2SJ101	J22335101				
R 0004	CARBON FILM RES.	100K	1/2W		RD12TJ104	J01275104				
R 0005	CARBON FILM RES.	100K	1/2W		RD12TJ104	J01275104				
R 0006	METAL FILM RES.	100K	1W		RSU1-100K J	J22305104				
R 0007	CEMENT RES.	0.05	5W		MPC75-0.05 K	J31379002				
R 0008	METAL FILM RES.	10	1W		ERG-1SJ100	J22305100				
R 0009	METAL FILM RES.	22	2W		ERG-2SJ220	J22335220				
R 0010	METAL FILM RES.	10	1W		ERG-1SJ100	J22305100				
R 0011	METAL FILM RES.	22	2W		ERG-2SJ220	J22335220				
R 0012	CARBON FILM RES.	22	1/6W		RD16PJ220	J01225220				
R 0013	CARBON FILM RES.	15K	1/6W		RD16PJ153	J01225153				
R 0014	CARBON FILM RES.	47	1/6W		RD16PJ470	J01225470				
R 0015	CARBON FILM RES.	16K	1/6W		RD16PJ163	J01225163				
R 0016	CARBON FILM RES.	20K	1/6W		RD16PJ203	J01225203				
R 0017	CARBON FILM RES.	12K	1/6W		RD16PJ123	J01225123				
R 0018	CARBON FILM RES.	1K	1/6W		RD16PJ102	J01225102				
R 0019	CARBON FILM RES.	10K	1/6W		RD16PJ103	J01225103				
R 0020	CARBON FILM RES.	1.5K	1/6W		RD16PJ152	J01225152				
R 0021	CARBON FILM RES.	22	1/6W		RD16PJ220	J01225220				
R 0022	CARBON FILM RES.	10K	1/6W		RD16PJ103	J01225103				
R 0030	METAL FILM RES.	4.7	2W		ERX-2SJ4R7	J22335479				
R 0031	METAL FILM RES.	4.7	2W		ERX-2SJ4R7	J22335479				
R 0032	METAL FILM RES.	470	2W		ERG-2SJ471	J22339007				
R 0033	CARBON FILM RES.	10K	1/6W		RD16PJ103	J01225103				
R 0034	CARBON FILM RES.	1K	1/6W		RD16PJ102	J01225102				
R 0035	CARBON FILM RES.	1K	1/6W		RD16PJ102	J01225102				
R 0036	CARBON FILM RES.	10K	1/6W		RD16PJ103	J01225103				

REF.	DESCRIPTION	VALUE	WV	TOL.	MFGR'S DESIG	YAESU P/N	VERS.	LOT.	LAY	ADR
R 0037	CARBON FILM RES.	1K	1/6W		RD16PJ102	J01225102				
R 0038	CARBON FILM RES.	100K	1/6W		RD16PJ104	J01225104				
R 0039	CARBON FILM RES.	4.7K	1/6W		RD16PJ472	J01225472				
R 0040	CARBON FILM RES.	910	1/6W		RD16PJ911	J01225911				
T 0001	DRIVER TRANS.				FL1804A	S8100202				
T 0002	CONVERTER TRANS.				FL1803A	S8100203				
VR0001	POT.	100			EVN-38C-A00-B12	S8100207				
VR0002	POT.	100			EVN-38C-A00-B12	S8100207				

RF-UNIT
F3513000



IF-UNIT F3514000

