

VI 6U8 REC MIX

V8

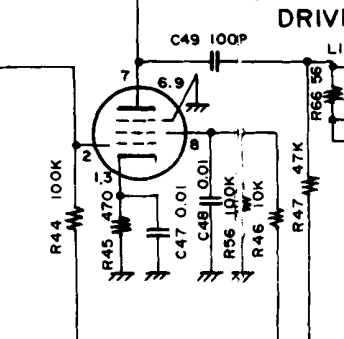
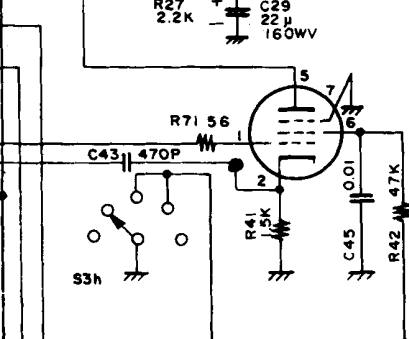
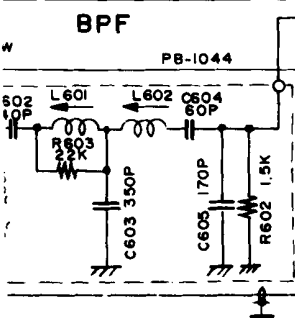
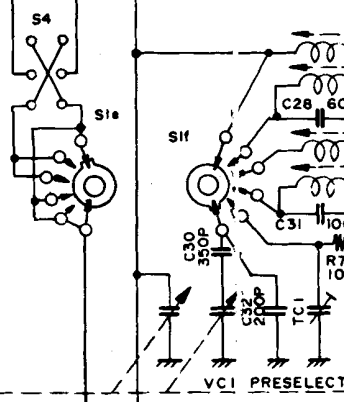
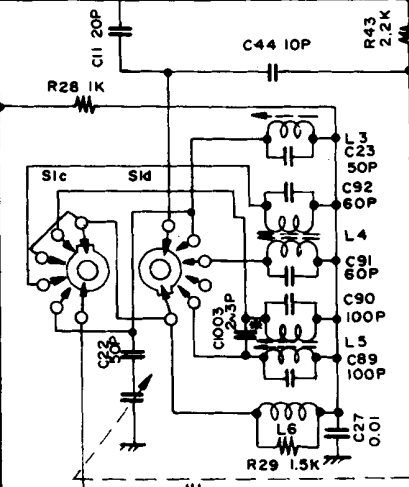
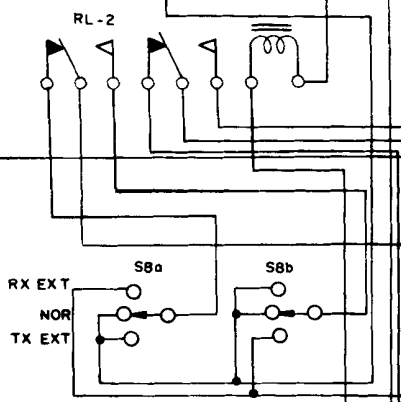
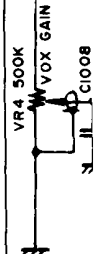
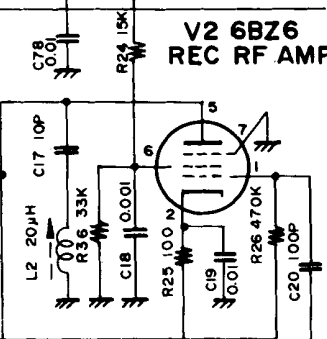
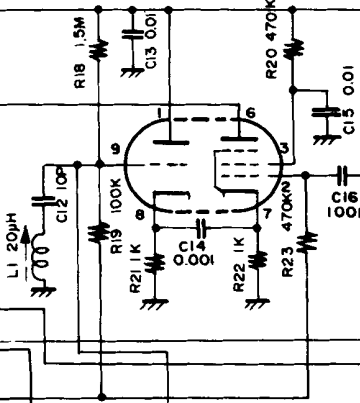
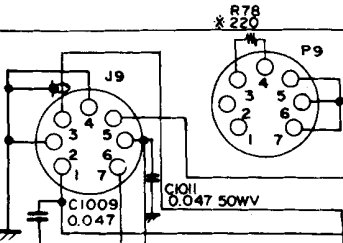
V2 6BZ6 REC RF AMP

VR4 500K VOX GAIN

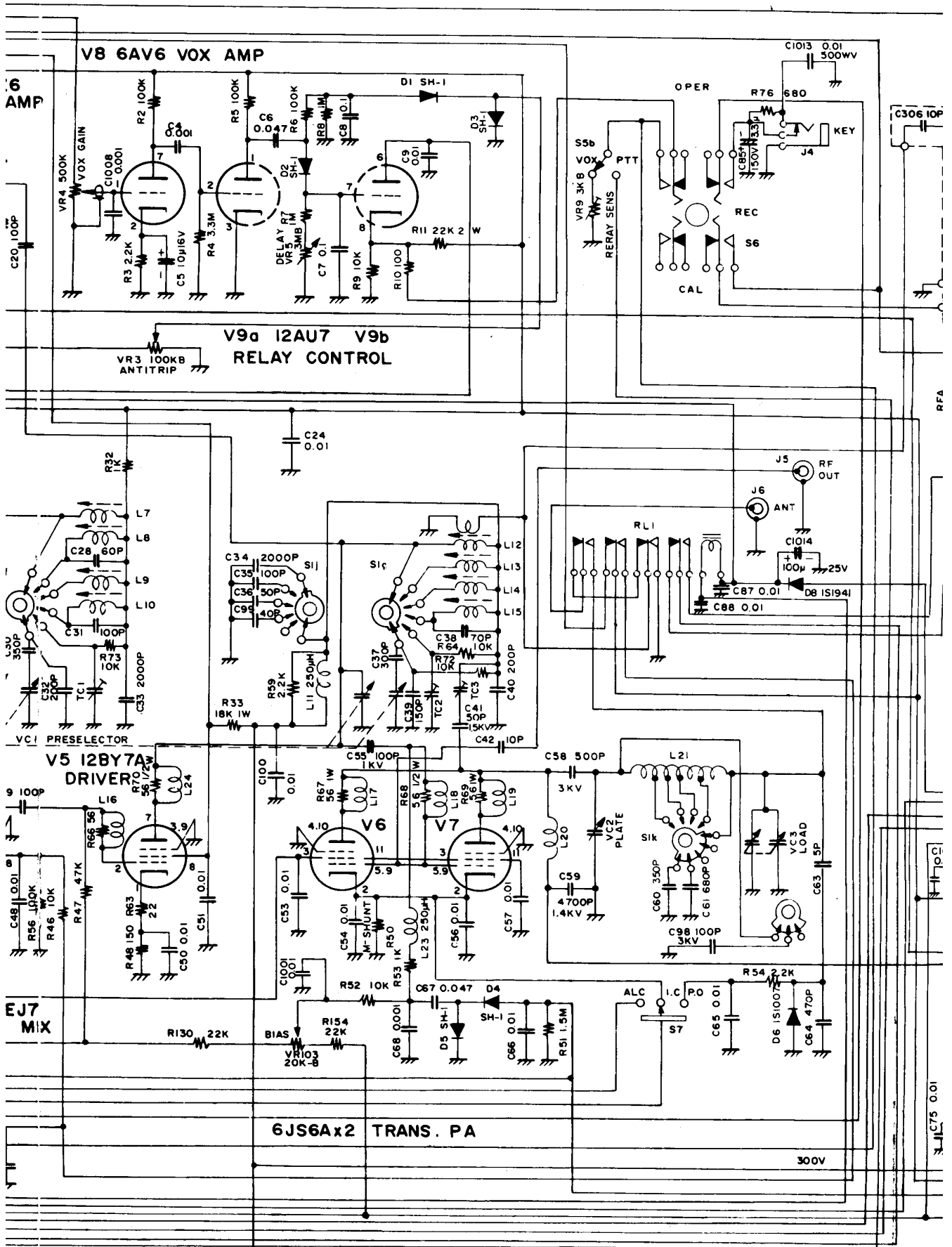
V5 12B DRIVE

V3 6CB6 PRE. MIX

V4 6EJ7 TRANS MIX



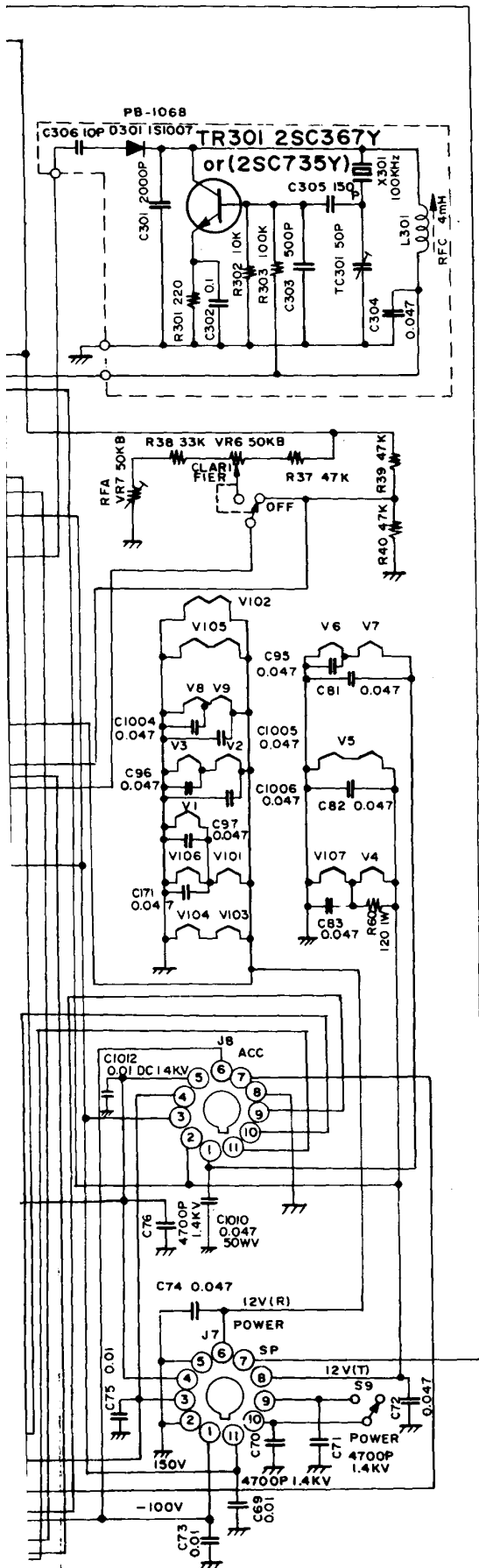
C25 0.01



D1 ~ D5 } SH-1 or 1S194I
 D101 ~ D103 }
 D106 }

- NOTES:
1. ALL RESISTORS IN OHM 1/2W ± 10% UNLESS OTHERWISE NOTED.
 2. ALL CAPACITORS IN μF

TEM



TEMPO one