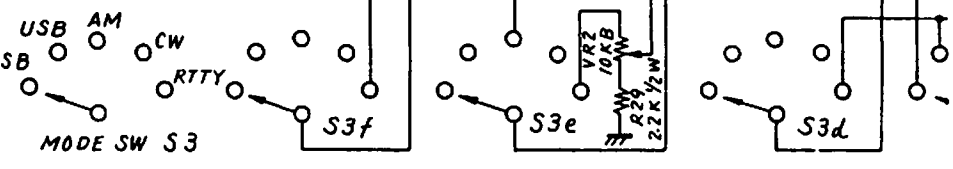
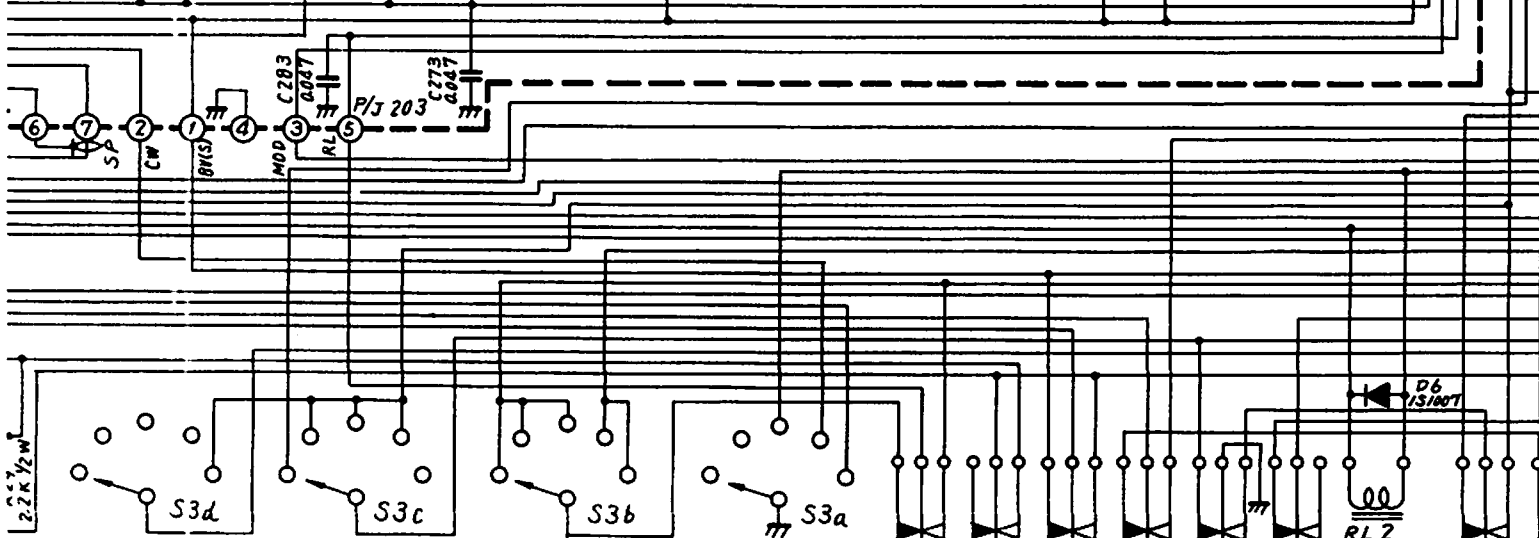
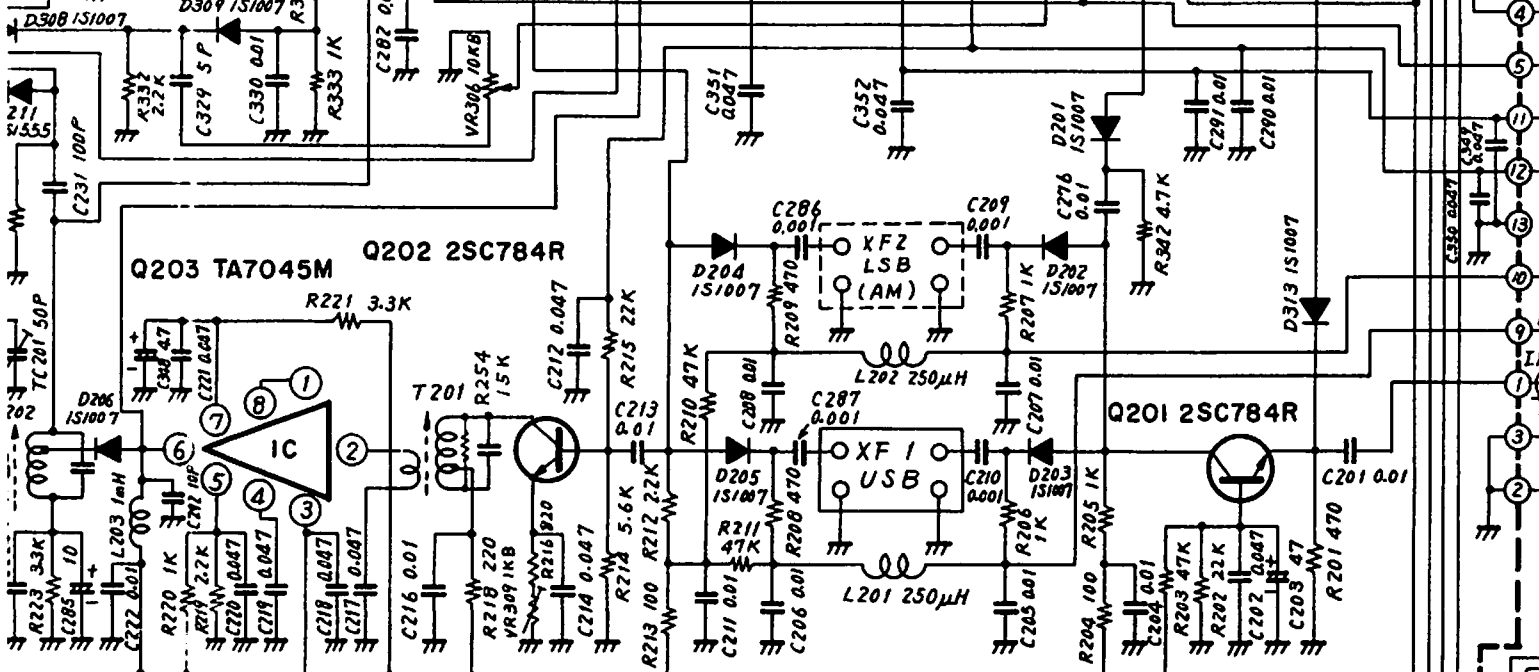
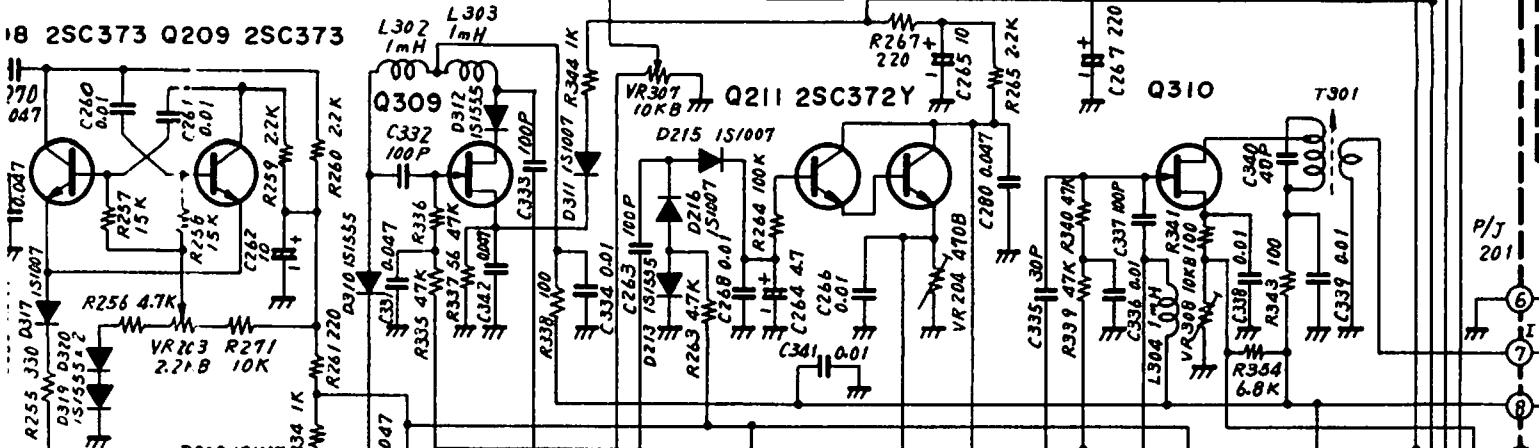
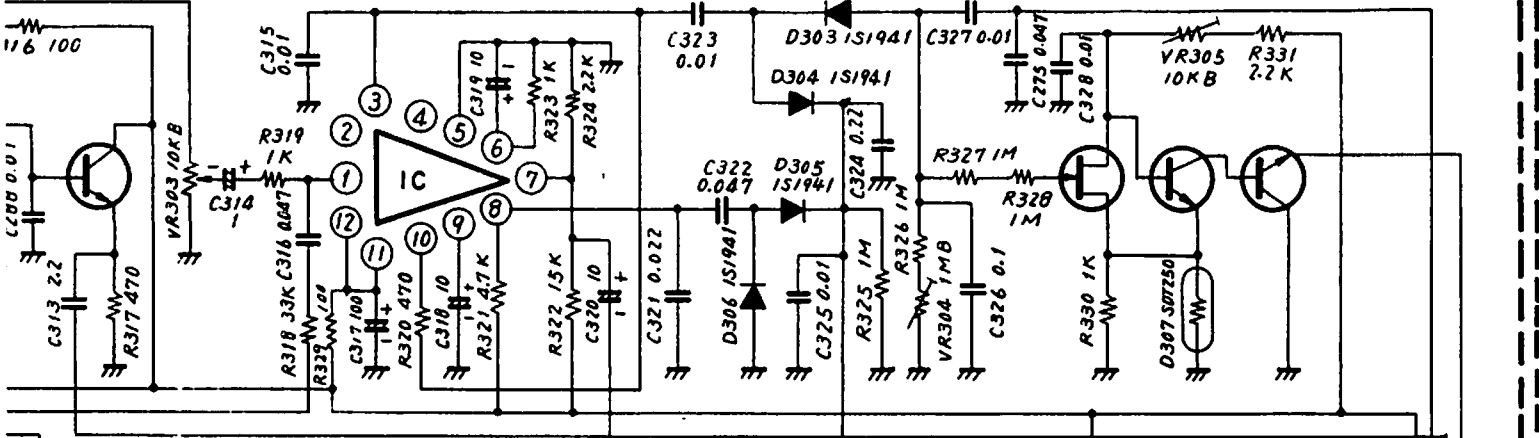


NOTES:

1. ALL RESISTORS IN Ω $\frac{1}{4}W \pm 10\%$ UNLESS OTHERWISE NOTED
2. ALL CAPACITORS IN μF UNLESS OTHERWISE NOTED
3. ALL TRANSISTORS ARE 2SK196R UNLESS OTHERWISE NOTED
4. $\%$ VALUE IS NOMINAL



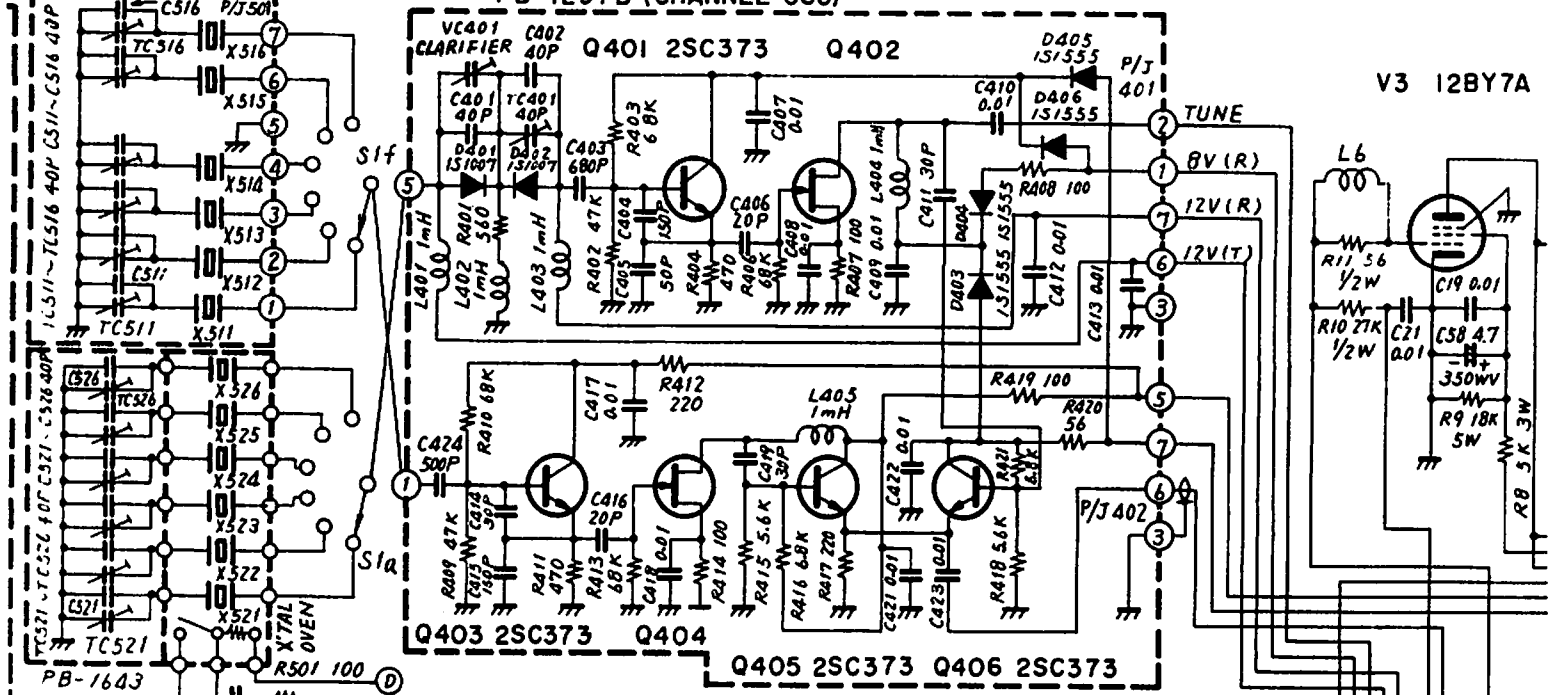
Q303 2SC372Y Q305 TA7042M Q306 Q307 2SC372Y Q308 2SA697D



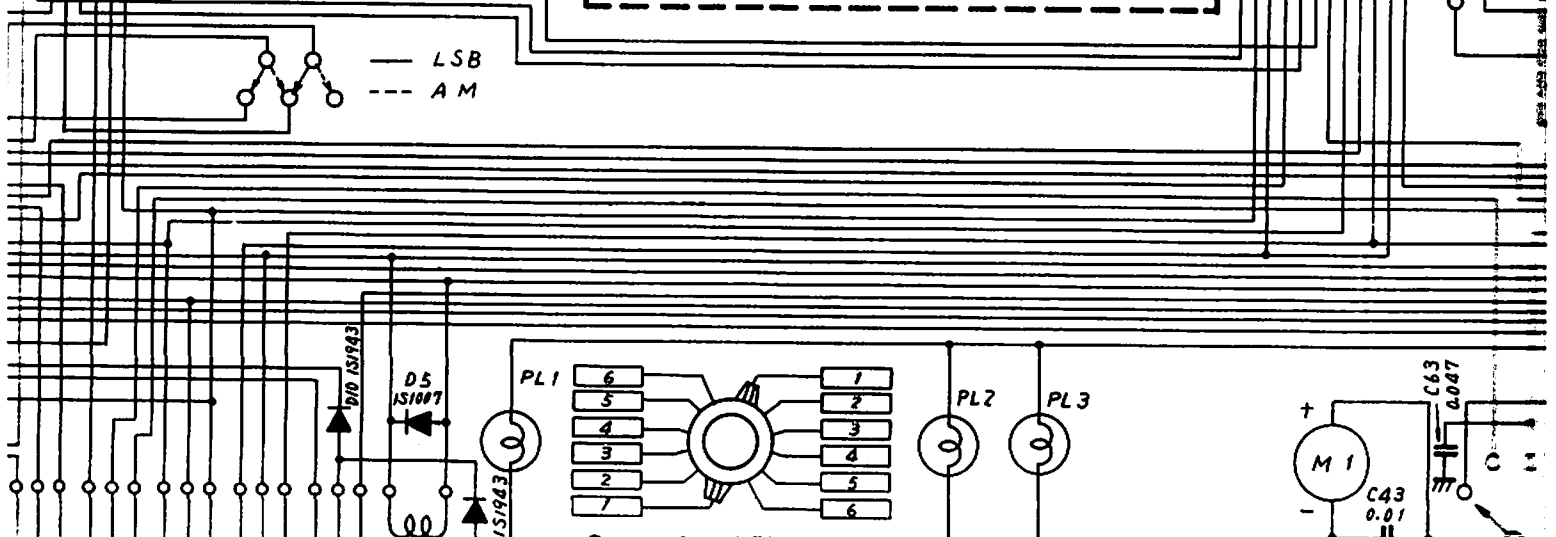
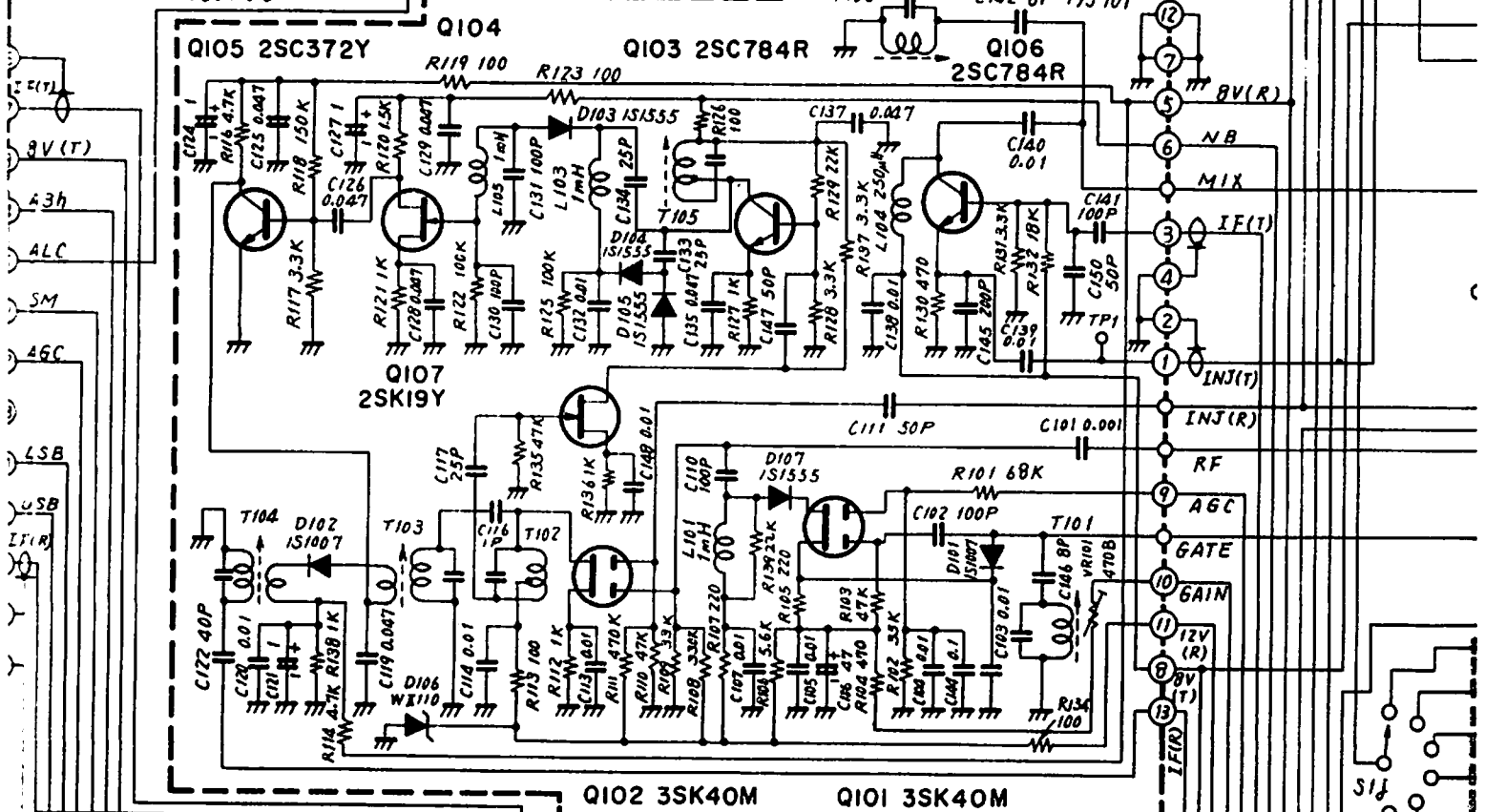
PB-1298B (X'TAL)

PB-1297B (CHANNEL OSC)

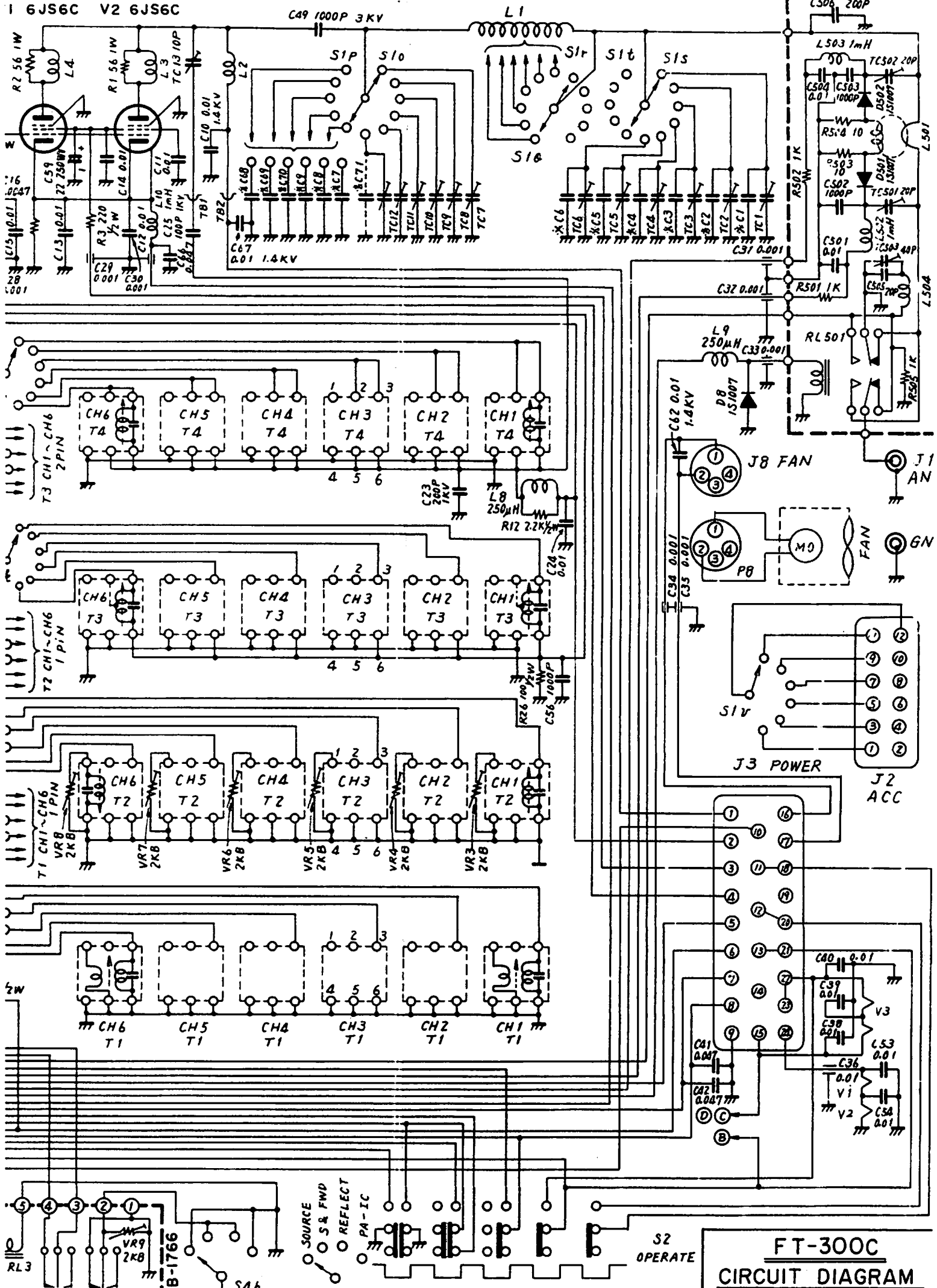
V3 12BY7A



PB-1295E (RF)



1 6JS6C V2 6JS6C



FT-300C
CIRCUIT DIAGRAM