

VHF & UHF BAND MODULE INSTALLATION IN THE FT-767GX AMATEUR TRANSCEIVER

This procedure describes the installation procedure for any or all of the FEX-767-6 (6m), FEX-767-2 (2m) or FEX-767-7 (70cm) Band Modules in the Yaesu FT-767GX Transceiver. Each Module consists of linear converters and RF amplifiers for transmit and receive, controlled by the frequency synthesizer in the Transceiver. Power output is ten watts in all modes except AM (2.5W). Full specifications and operating instructions are provided in the FT-767GX Operating Manual.

Two versions of the 70cm Band Module are available: one for 430 to 440 MHz, and another for 440 to 450 MHz operation. Only one 70cm Module may be installed in the FT-767GX at a time (in the 70cm location).

Before installing or removing Band Modules, disconnect the AC power cord from the rear panel of the transceiver.

- (1) Referring to Figure 1, note the installation locations for each of the Band Modules: these are not interchangeable! Each band must be installed only in the location shown. Open the black plastic protective cover over the location(s) which will have modules installed, and tear off the cover after flexing the hinge at the lower edge back and forth several times. If some modules are not being installed, leave the covers at those locations in place.
- (2) Referring to Figure 2, position (each) Band Module so that the antenna jack is oriented as shown (nearest the HF antenna jack on the transceiver heatsink), and carefully slide each Module straight in so that the circuit board edge connector on the Module mates with the connector inside the transceiver.
- (3) Set the transceiver on its side, and install the two screws for each Module shown in Figure 2.

Installation is now complete. Make sure the antenna(s) you use are designed for operation on the 6m, 2m or 70cm amateur bands.

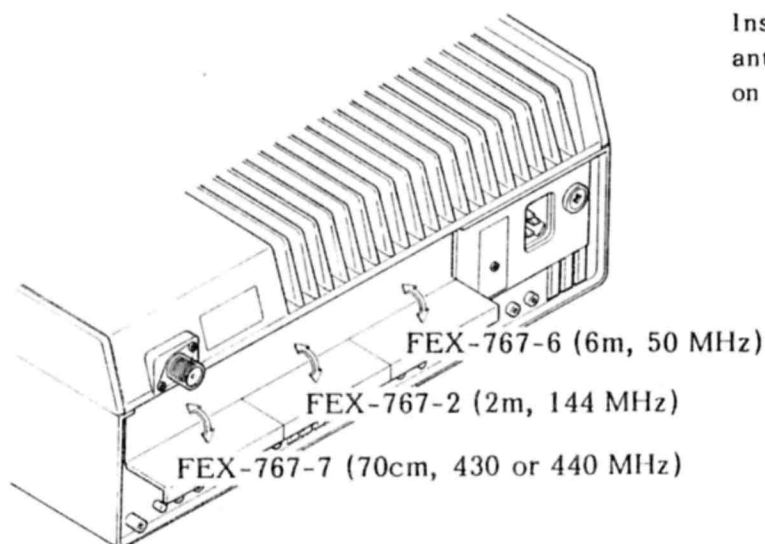


Figure 1. Band Module Locations

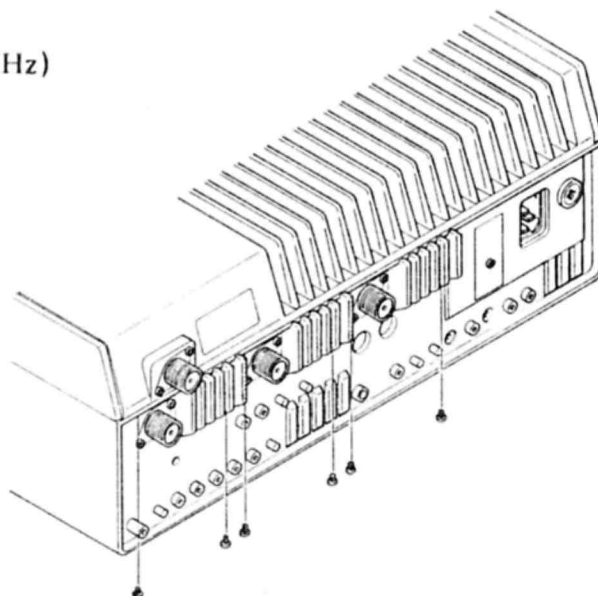


Figure 2. Band Module Mounting