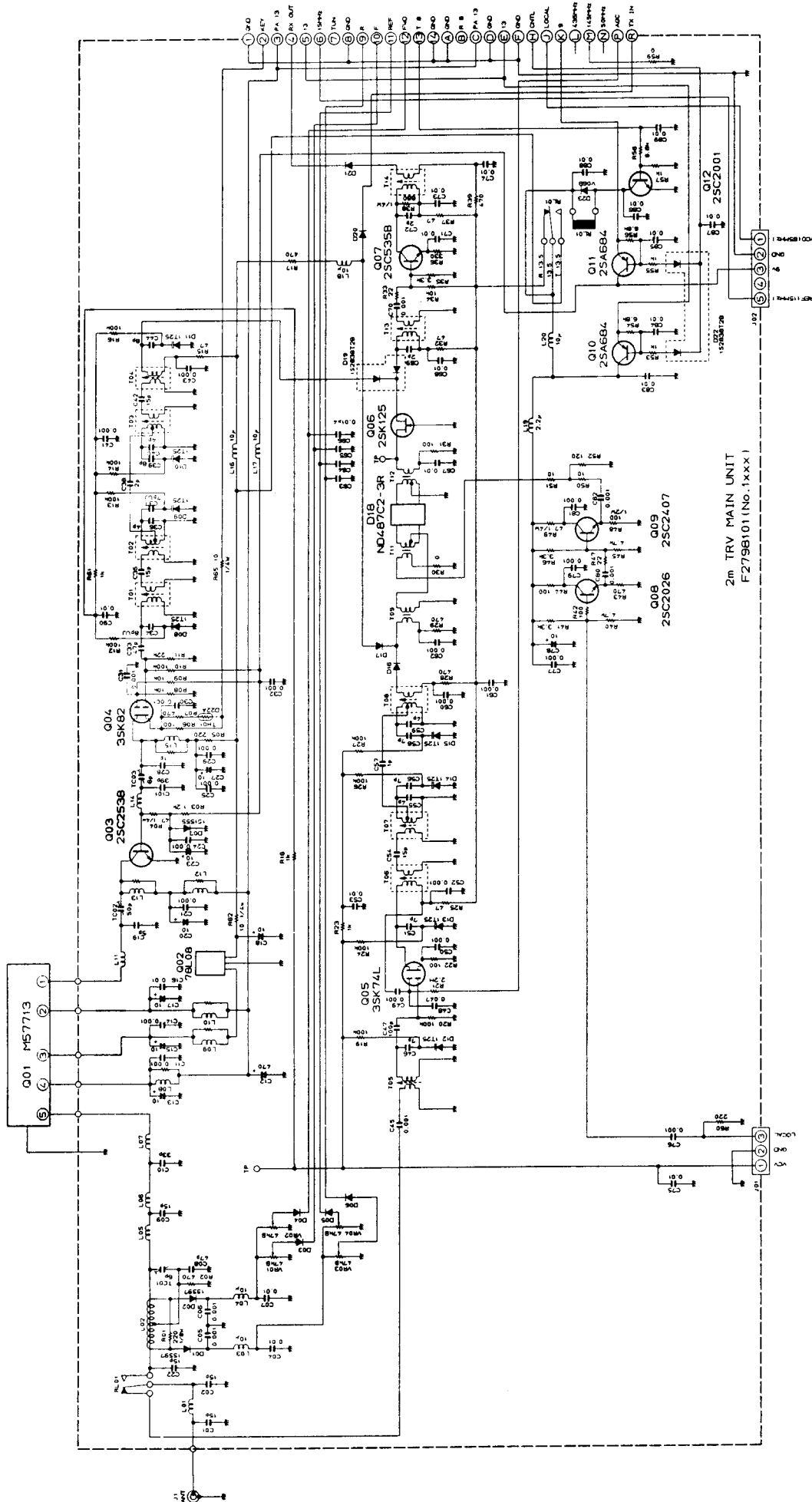
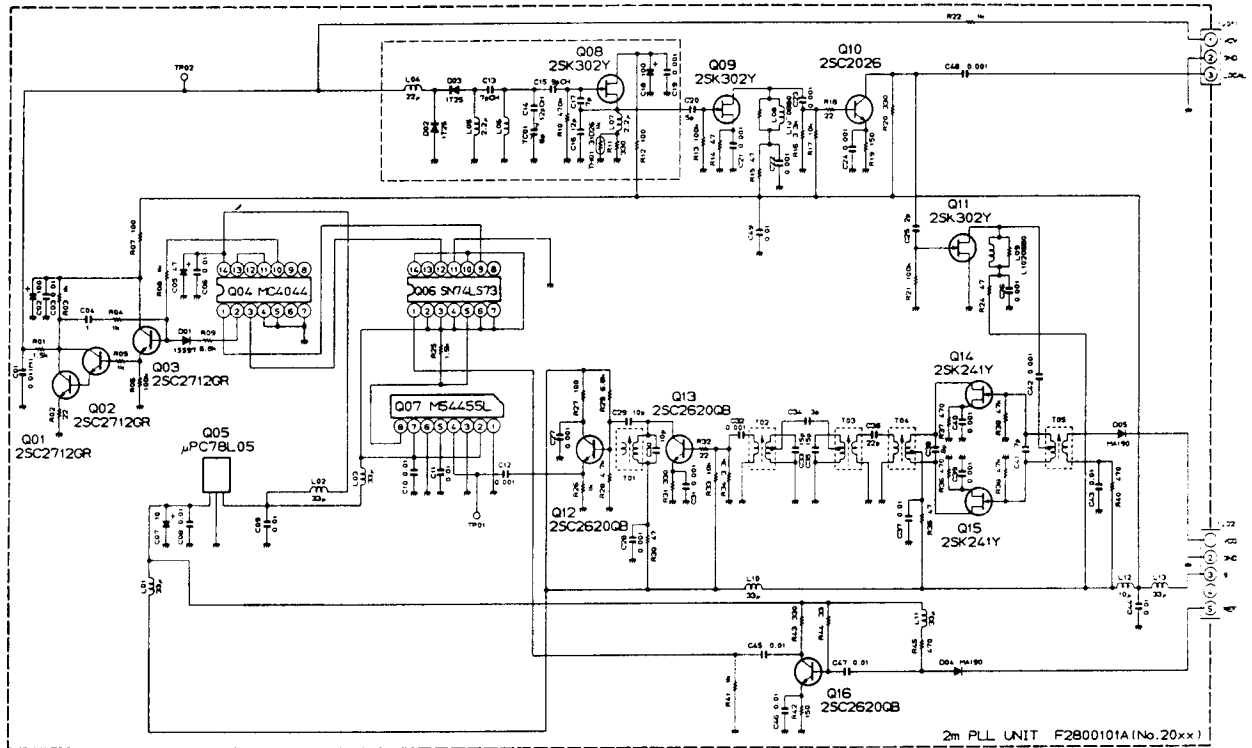


FEX-767-2 CIRCUIT DIAGRAM

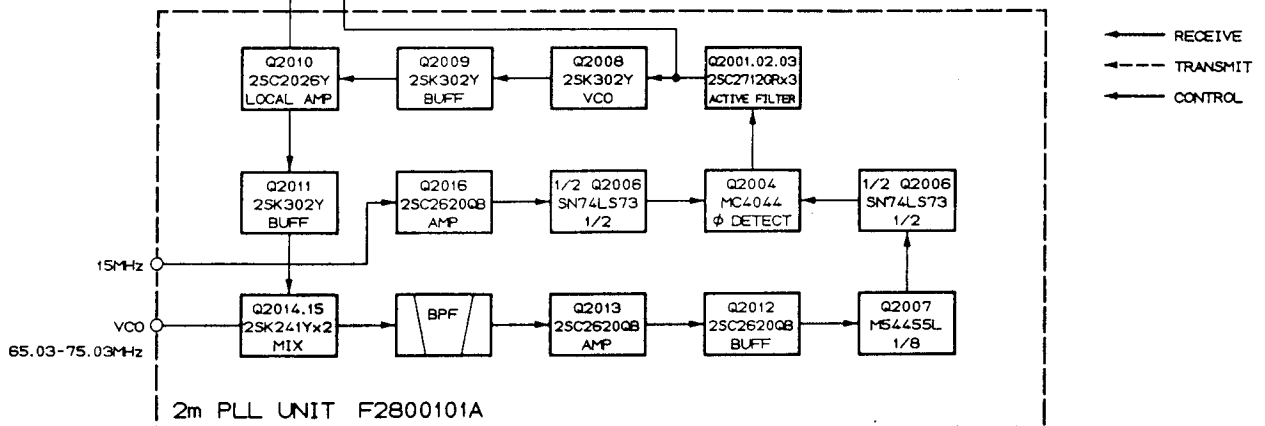
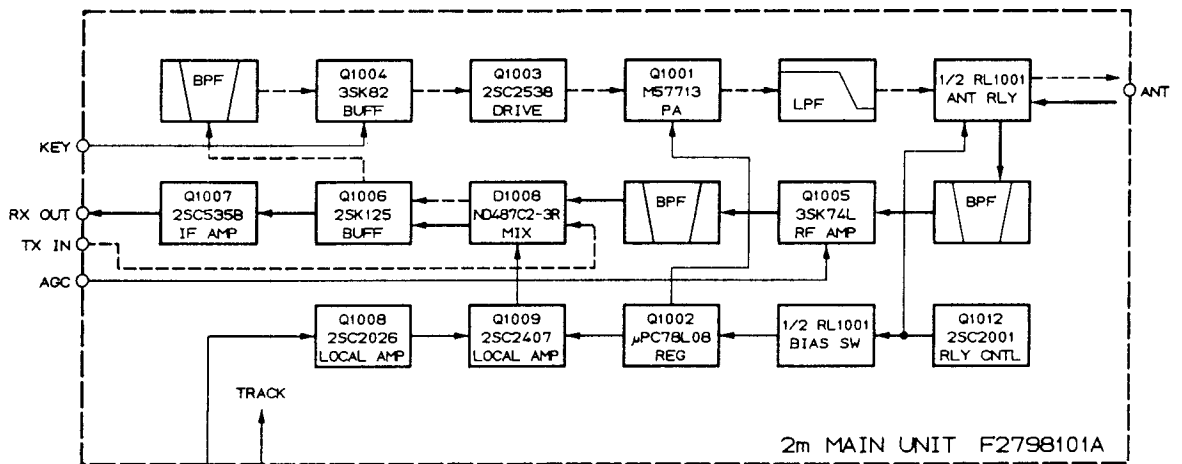


RESISTOR VALUES ARE IN OHMS; CAPACITOR VALUES ARE IN μ F.
 UNLESS OTHERWISE NOTED, RESISTORS ARE 1/4W 5% TOLERANCE.
 UNLESS OTHERWISE NOTED, CAPACITORS ARE 50V.
 ELECTROLYTIC CAPACITORS ARE 10% UNLESS OTHERWISE NOTED.

FEX-767-2 CIRCUIT DIAGRAM

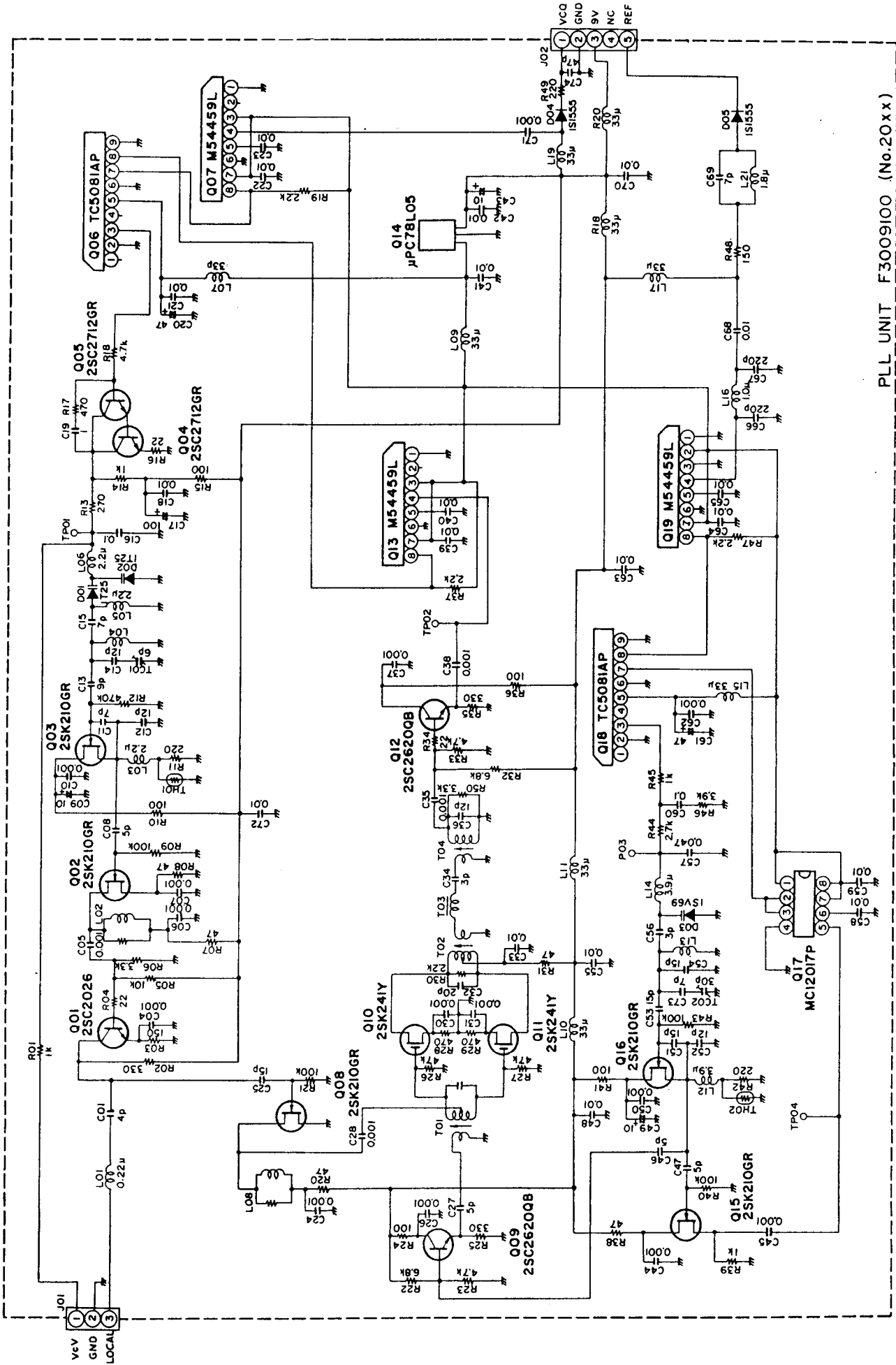


RESISTOR VALUES ARE IN OHMS; CAPACITOR VALUES ARE IN μ F;
AND INDUCTOR VALUES ARE IN H; UNLESS OTHERWISE NOTED.
PMI CAPACITORS ARE POLYESTER FILM 50V.



← RECEIVE
- - - TRANSMIT
← CONTROL

FEX-767-2 PLL UNIT CIRCUIT DIAGRAM



PLL UNIT F3009100 (No.20xx)

RESISTOR VALUES ARE IN Ω, 1/10W;
 CAPACITOR VALUES ARE IN μF, 50V;
 ELECTROLYTIC CAPACITOR VALUES ARE
 AND INDUCTOR VALUES ARE IN H;
 UNLESS OTHERWISE NOTED.