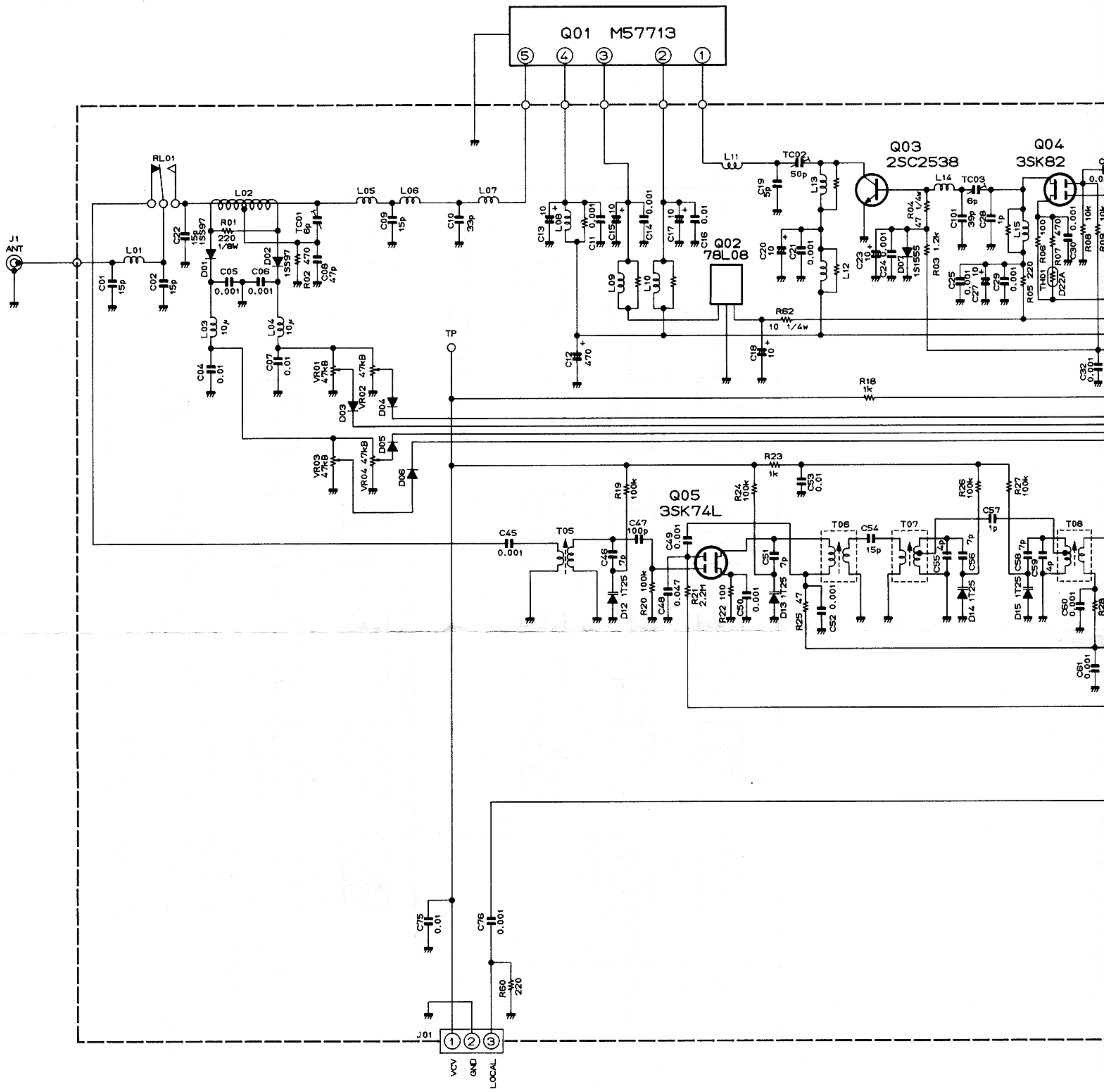
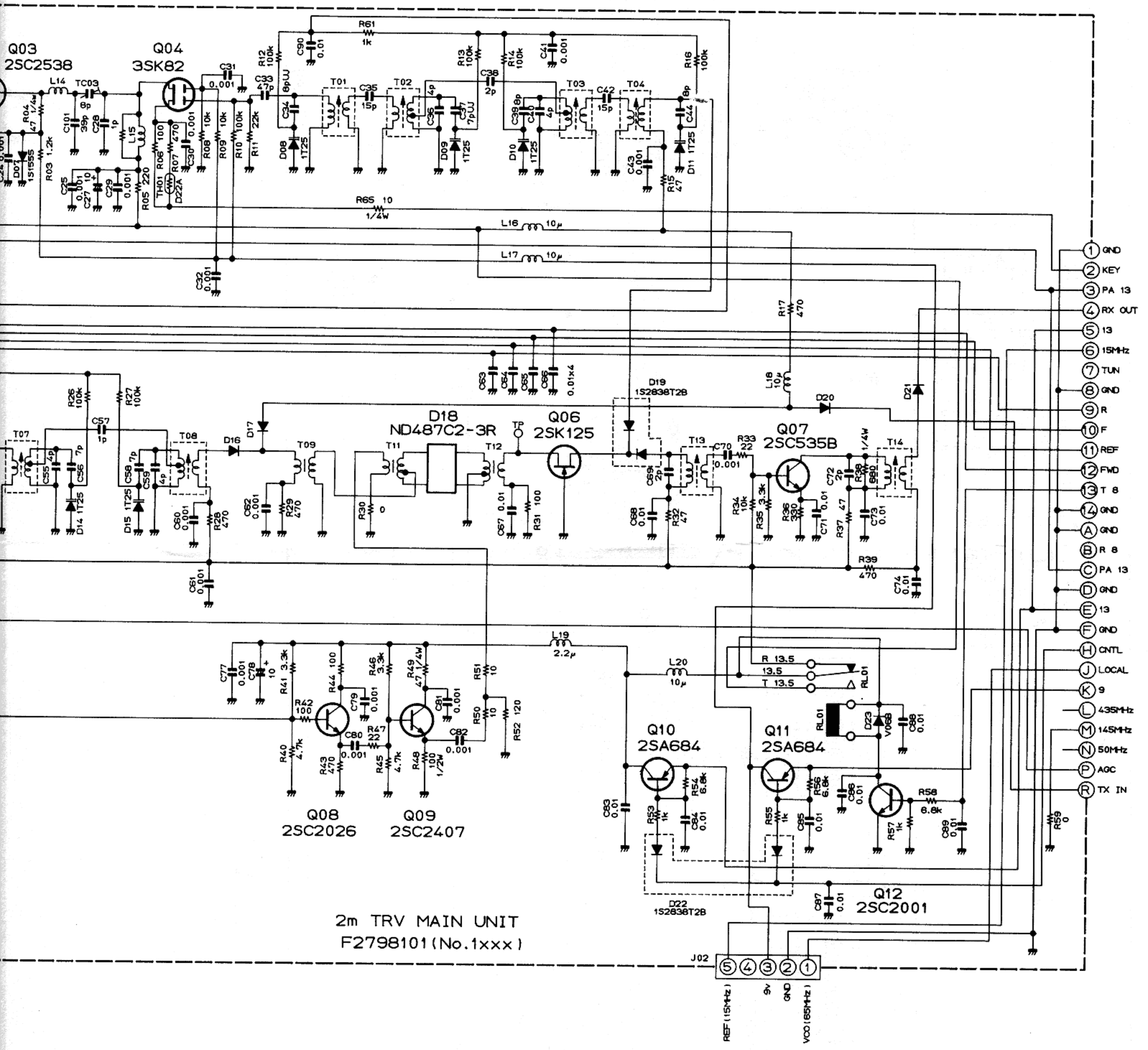


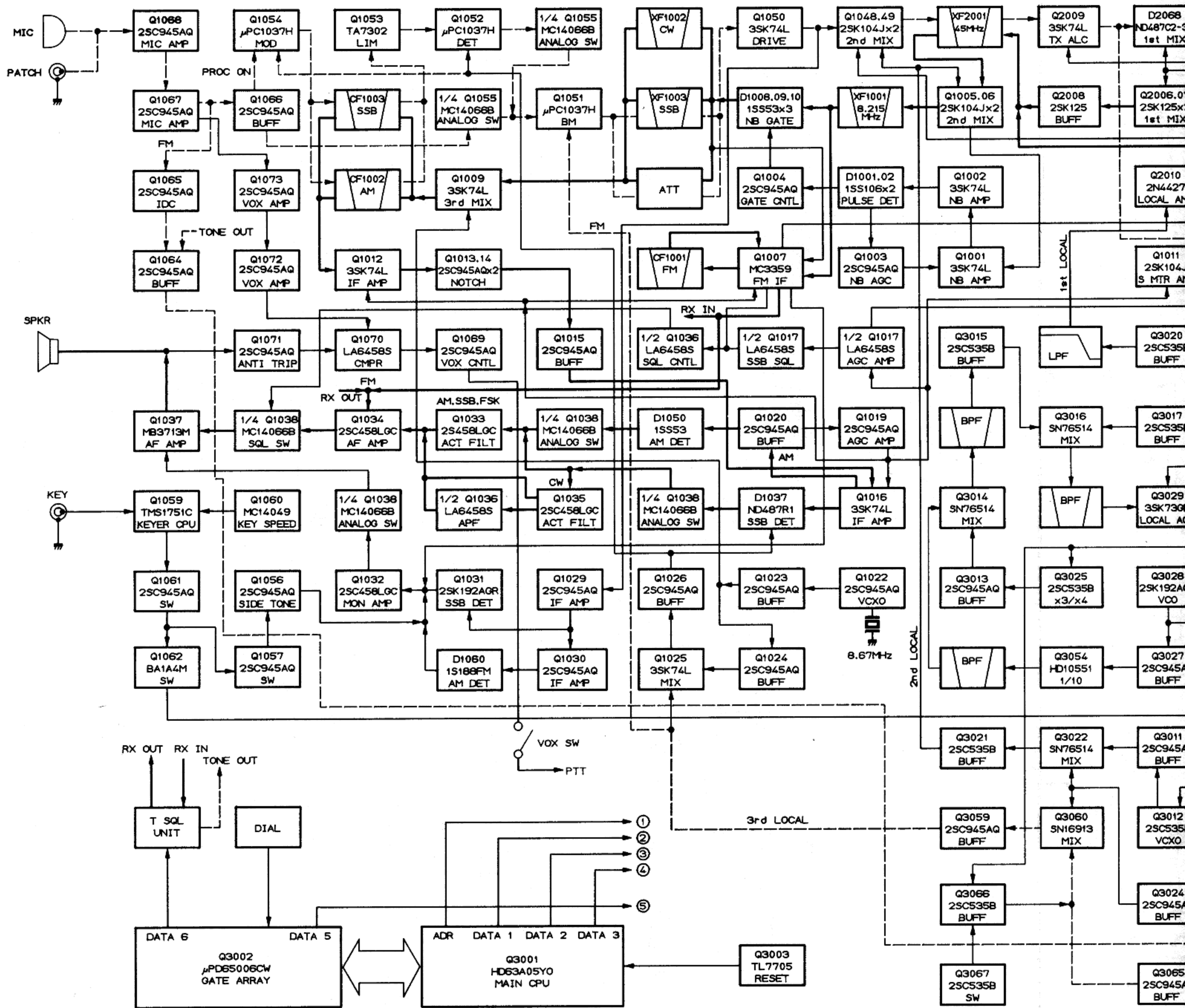
2m PLL UNIT F2800101A (No.20xx)

RESISTOR VALUES ARE IN Ω, 1/4W; CAPACITOR VALUES ARE IN μF;
 AND INDUCTOR VALUES ARE IN H; UNLESS OTHERWISE NOTED.
 (M) CAPACITORS ARE POLYESTER FILM, 50WV.

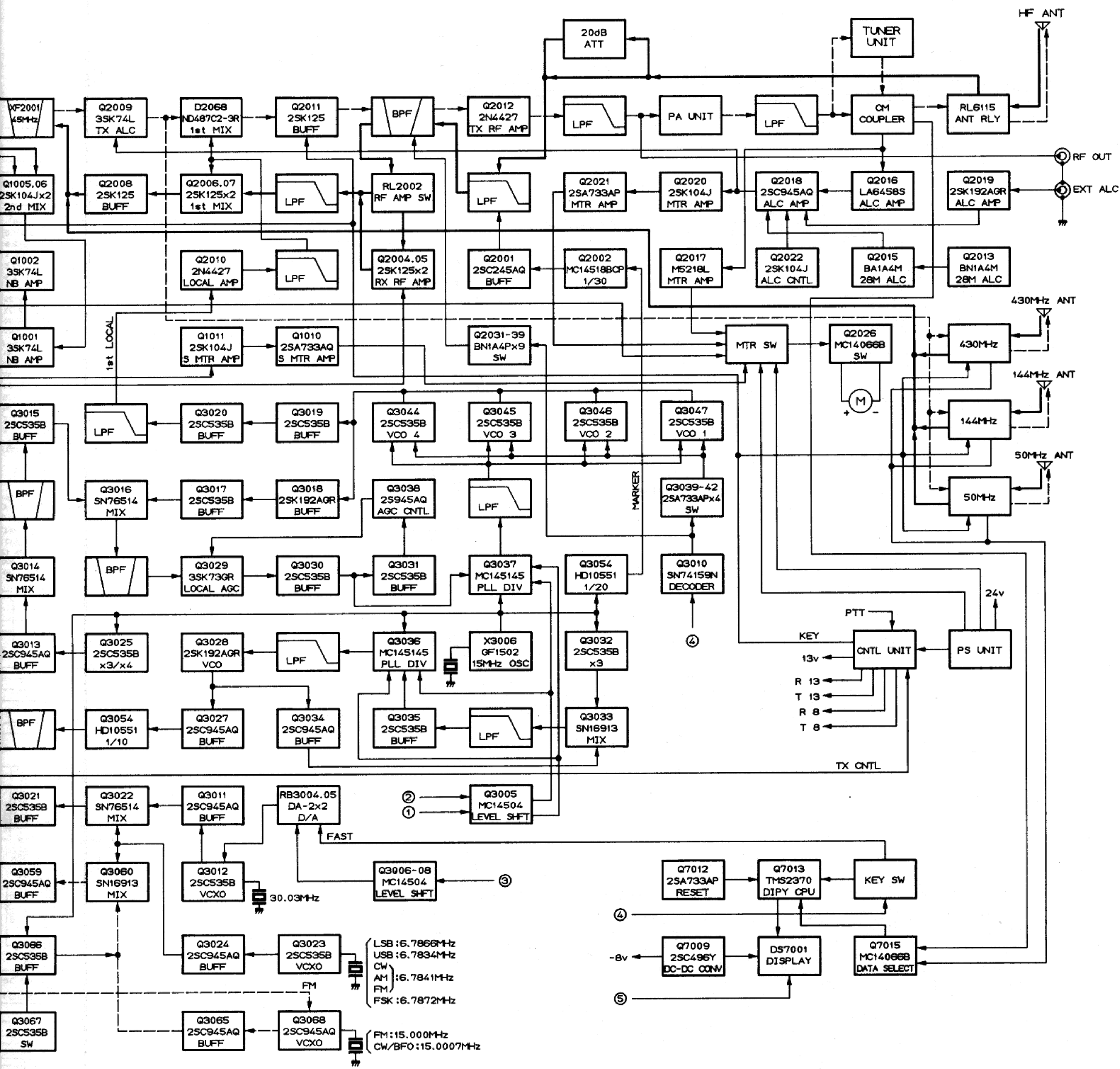




RESISTOR VALUES ARE IN Ω, 1/10Ω; CAPACITOR VALUES ARE IN μF.;
AND INDUCTOR VALUES ARE IN H; UNLESS OTHERWISE NOTED.
DIODES ARE TYPE MA190 UNLESS OTHERWISE NOTED.
ELECTROLYTIC CAPACITORS ARE 16V UNLESS OTHERWISE NOTED.

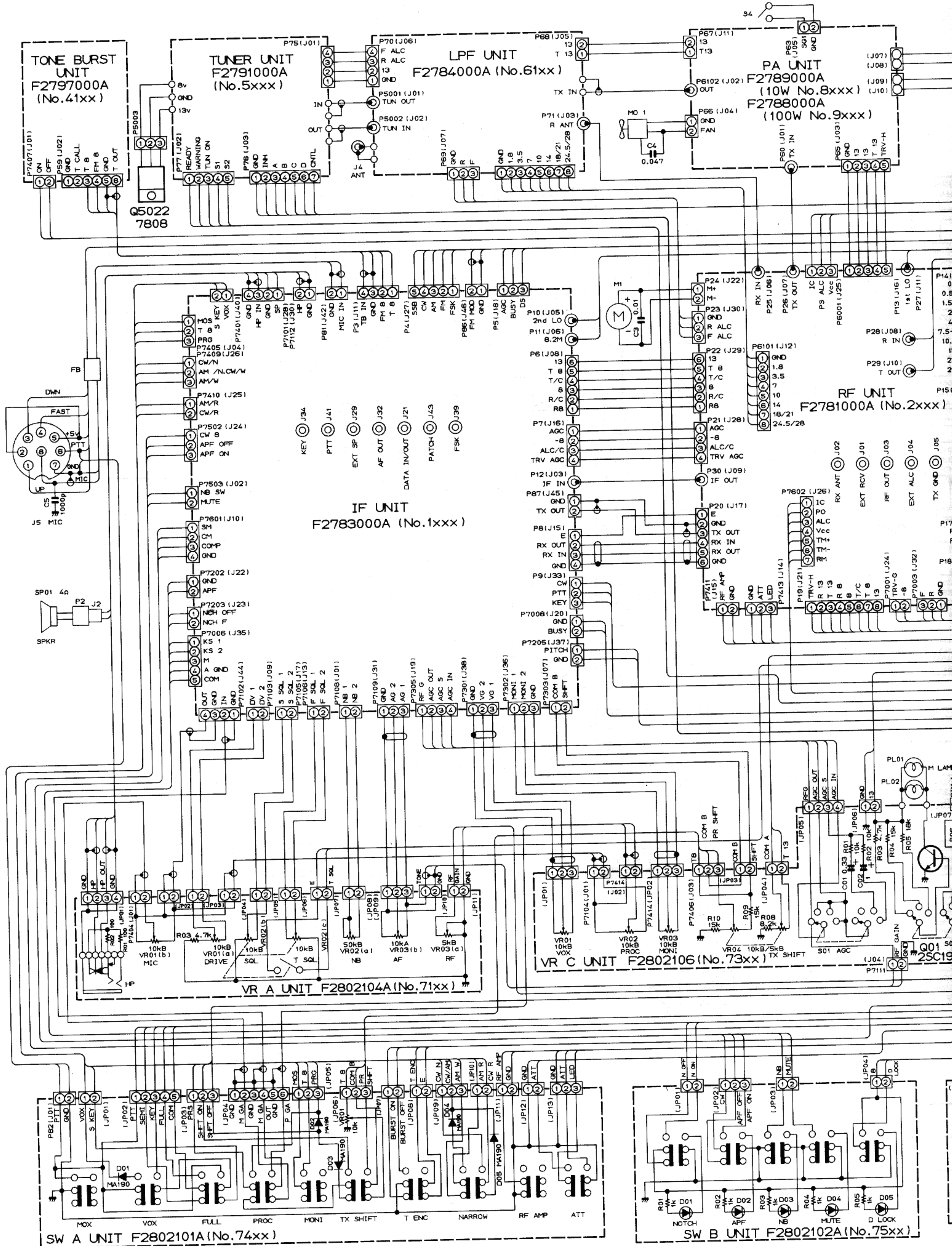


← RECEIVE
 - - - TRANSMIT
 ← CONTROL

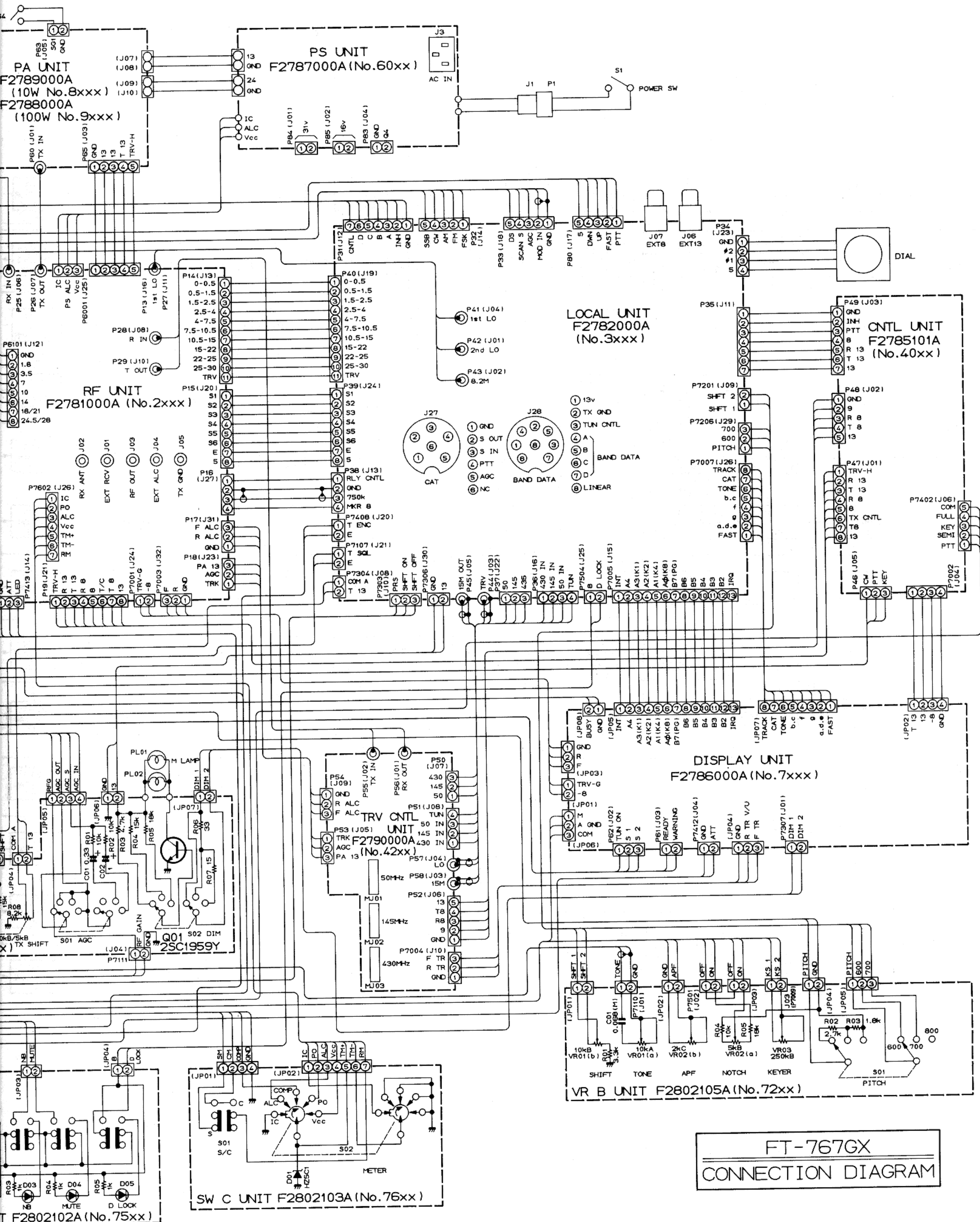


FT-767GX
BLOCK DIAGRAM

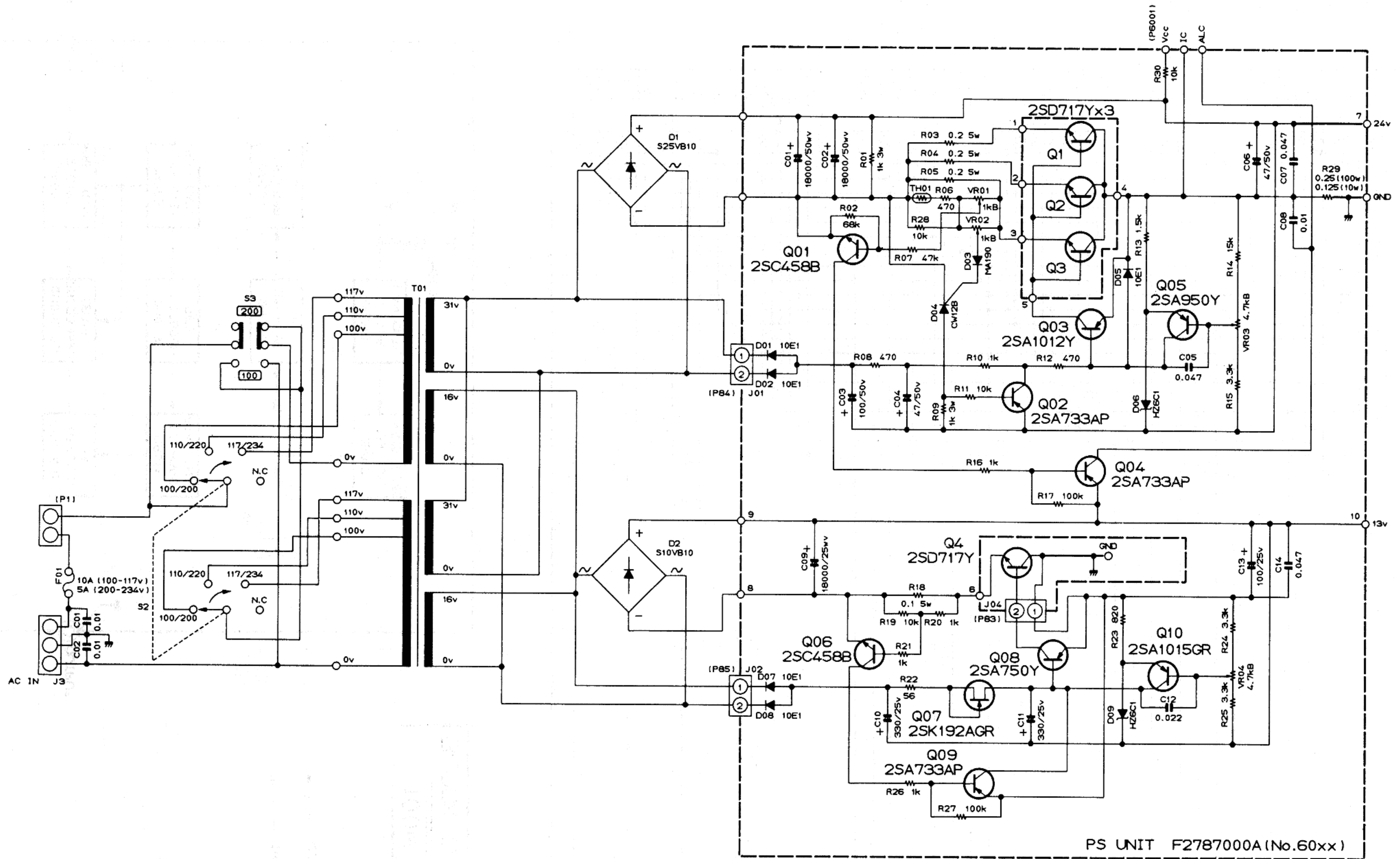
RECEIVE
TRANSMIT
CONTROL



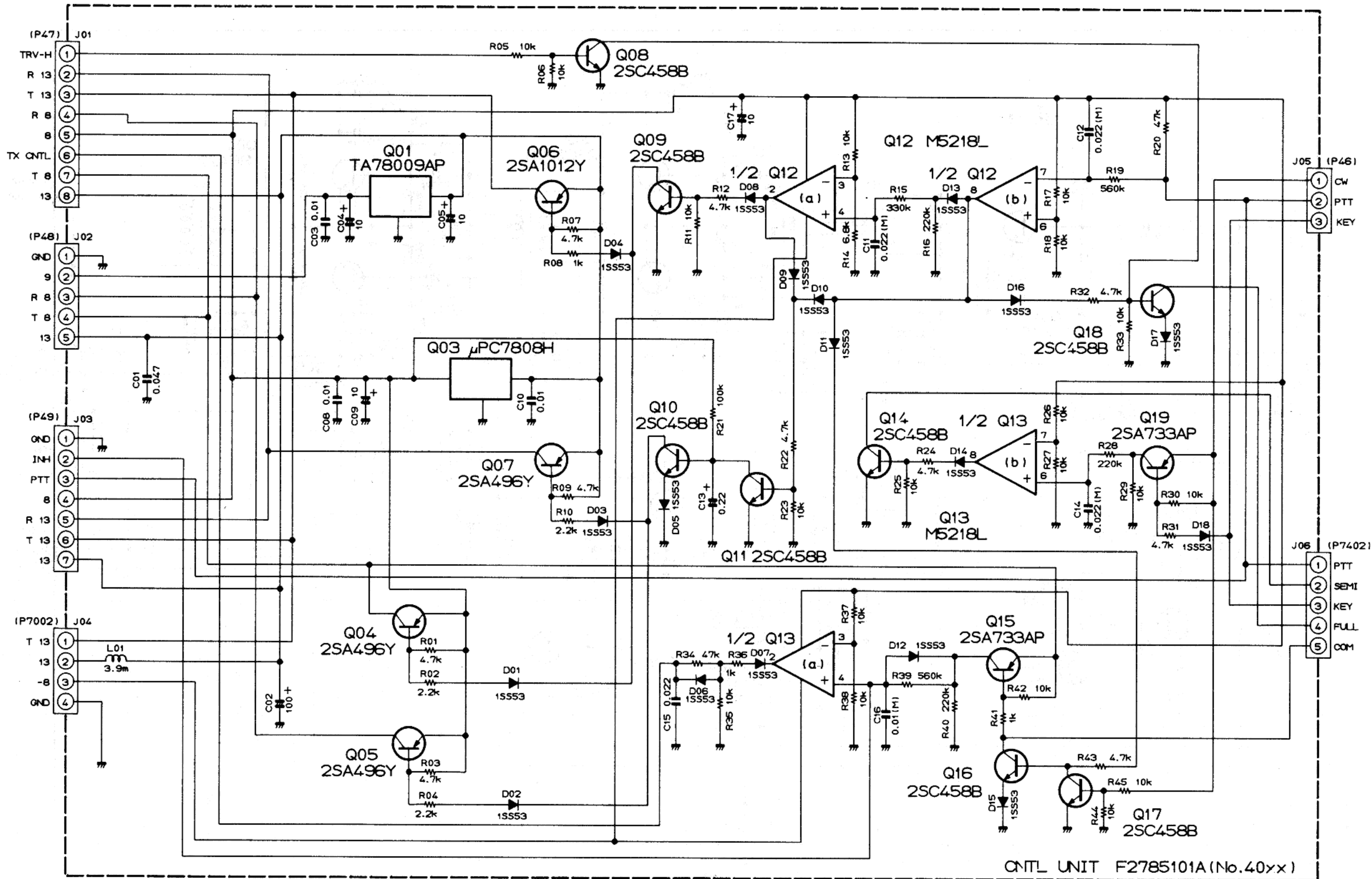
RESISTOR VALUES ARE IN Ω, 1/4w; CAPACITOR VALUES ARE IN μF;
 UNLESS OTHERWISE NOTED.
 (M) CAPACITORS ARE POLYESTER FILM, 50V.



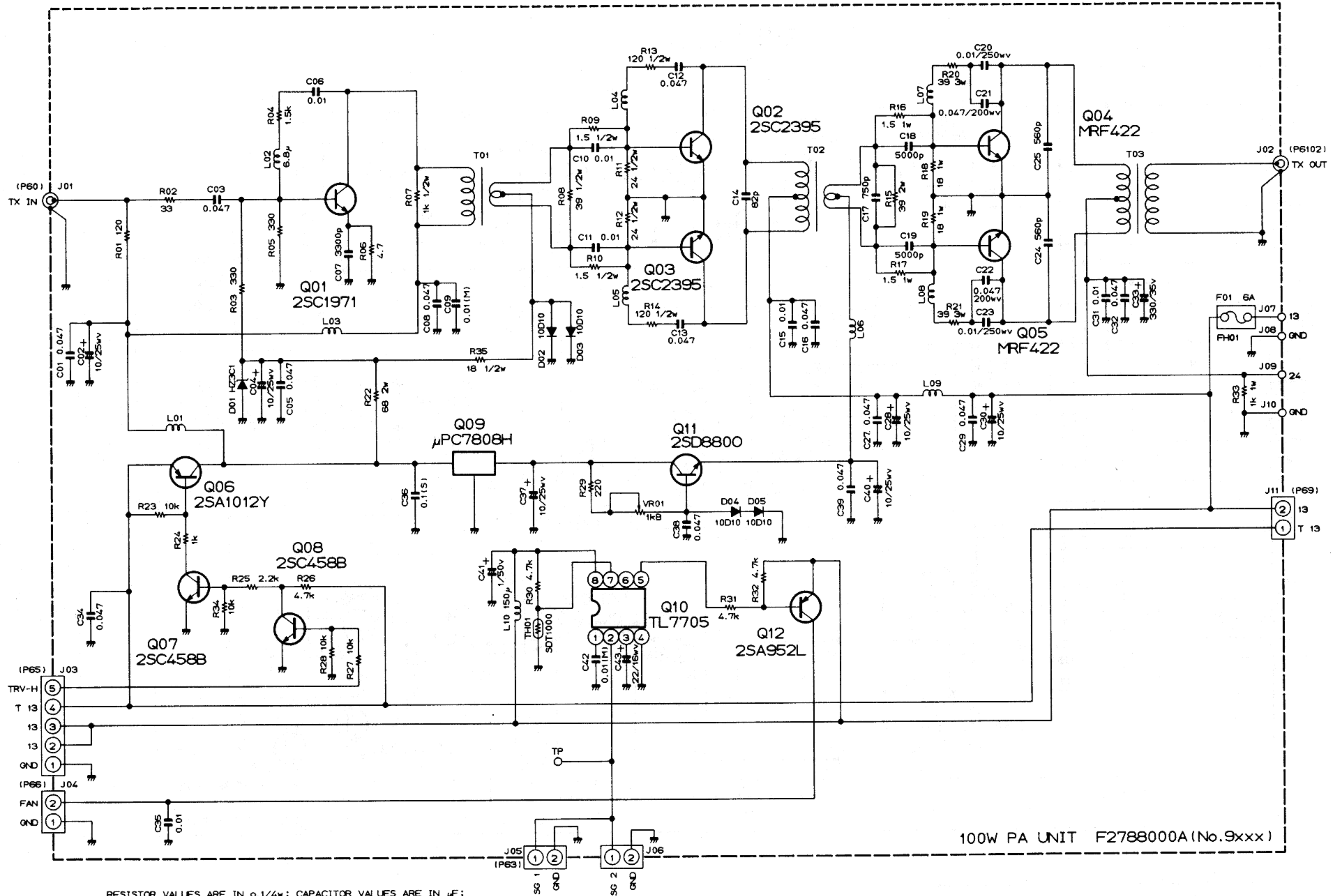
FT-767GX
CONNECTION DIAGRAM



RESISTOR VALUES ARE IN Ω , 1/4W; CAPACITOR VALUES ARE IN μ F;
UNLESS OTHERWISE NOTED.

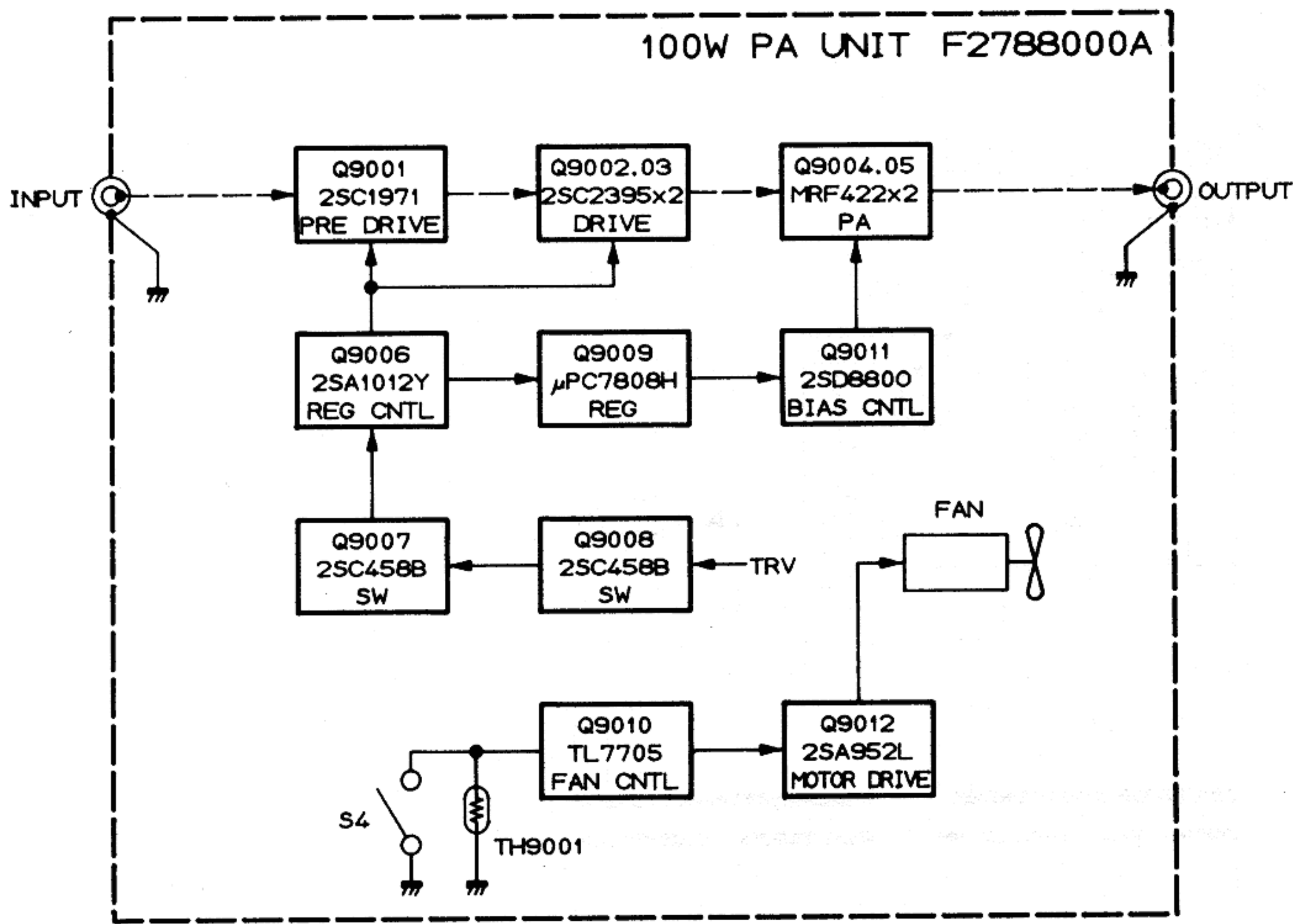


RESISTOR VALUES ARE IN Ω , 1/4W; CAPACITOR VALUES ARE IN μ F;
 AND INDUCTOR VALUES ARE IN H; UNLESS OTHERWISE NOTED.
 (M) CAPACITORS ARE POLYESTER FILM, 50V.



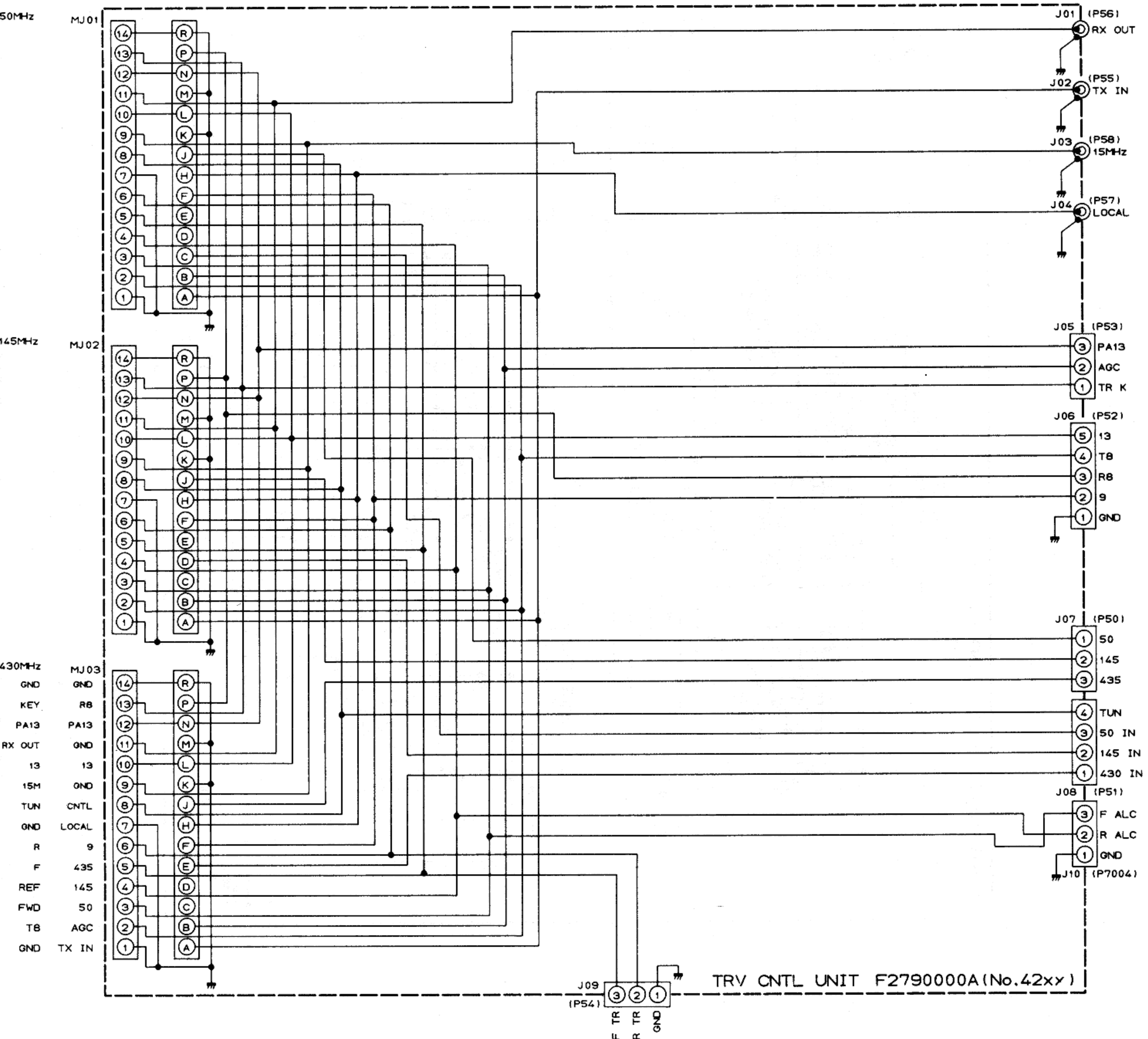
RESISTOR VALUES ARE IN Ω, 1/4W; CAPACITOR VALUES ARE IN μF;
 AND INDUCTOR VALUES ARE H; UNLESS OTHERWISE NOTED.
 (M) CAPACITORS ARE POLYESTER FILM, 50WV.
 (S) CAPACITORS ARE SEMICONDUCTOR CERAMIC, 25WV.

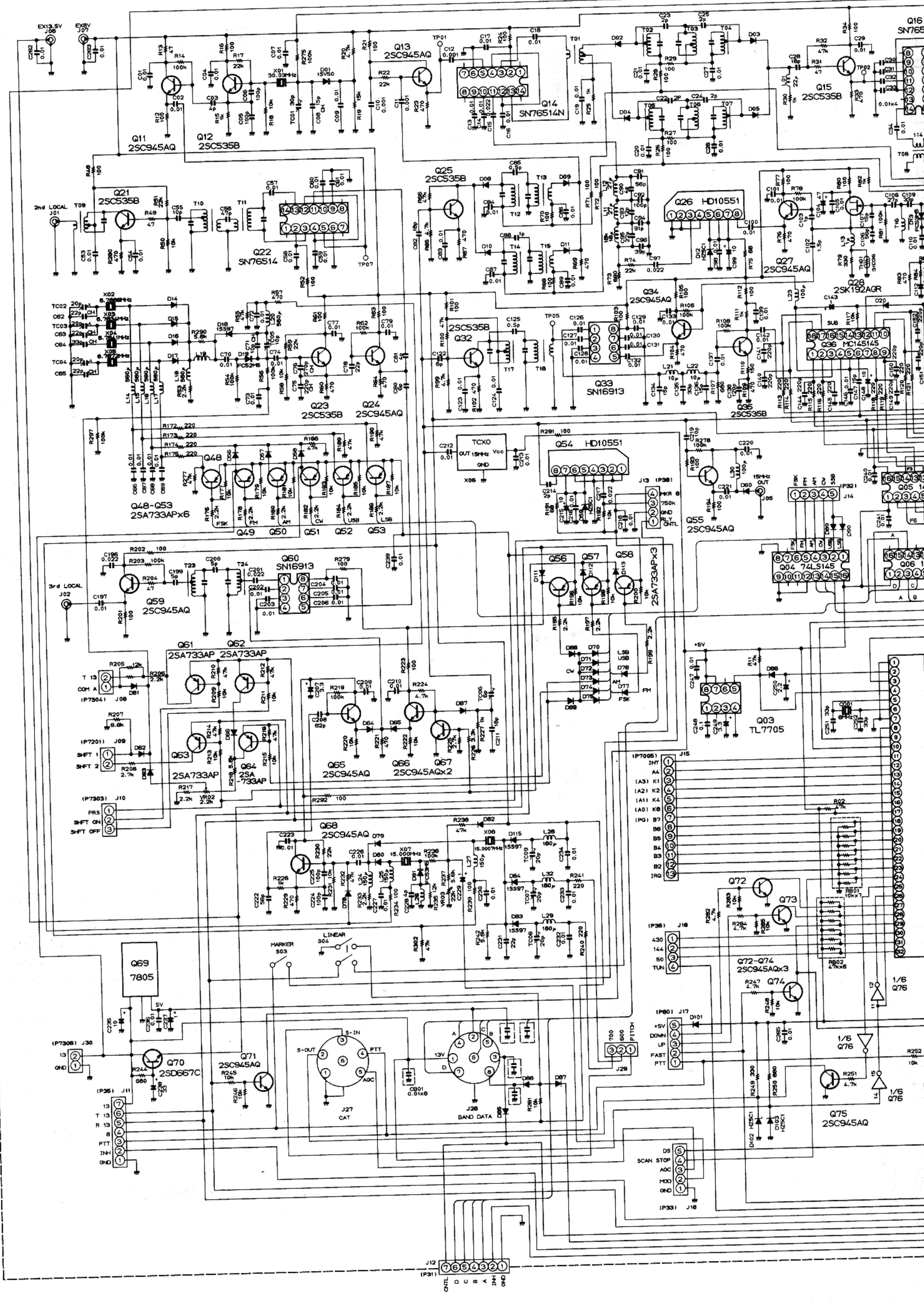
100W PA UNIT F2788000A

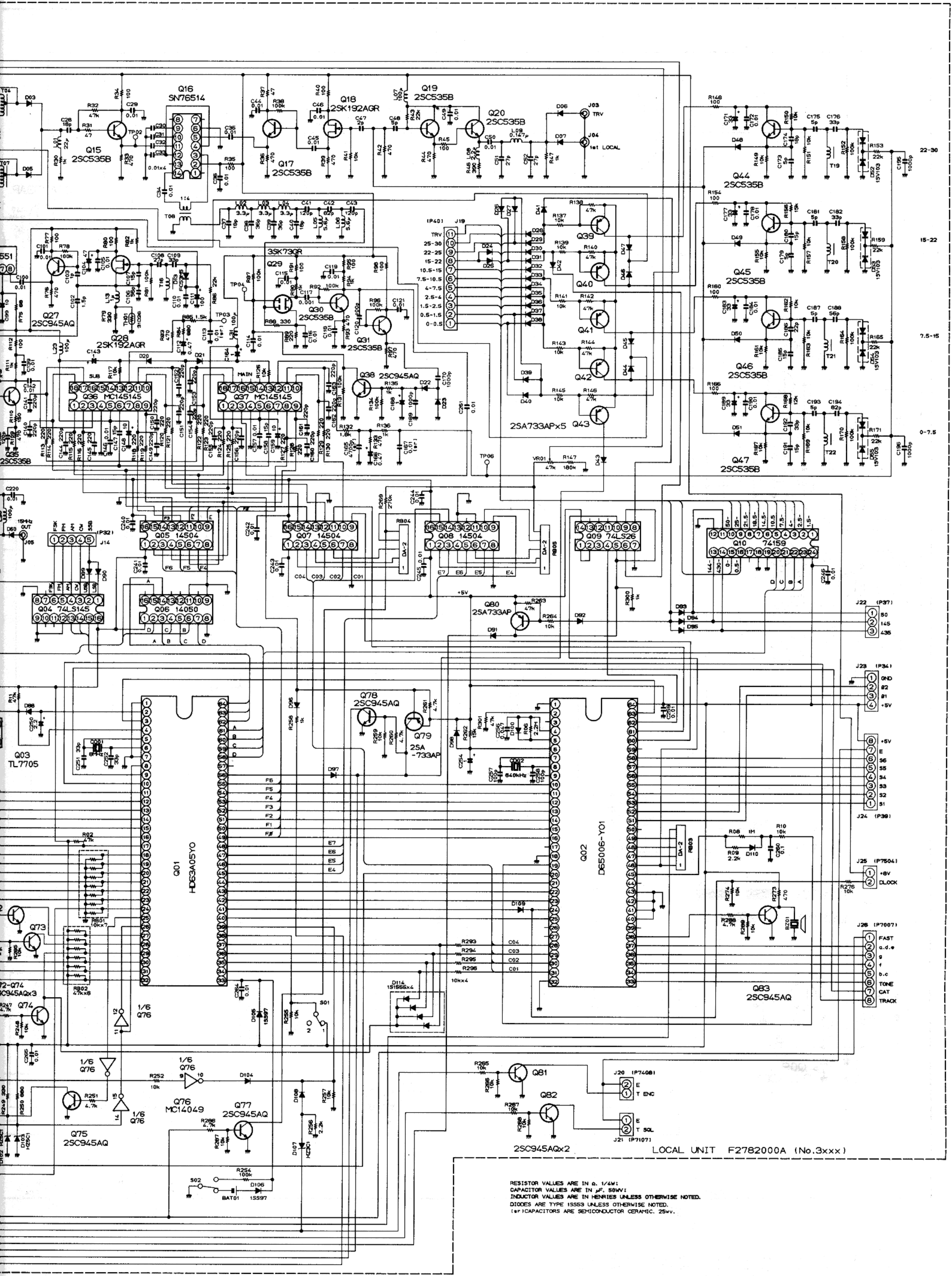


←--- TRANSMIT
 ← CONTROL

**100W PA
 BLOCK DIAGRAM**





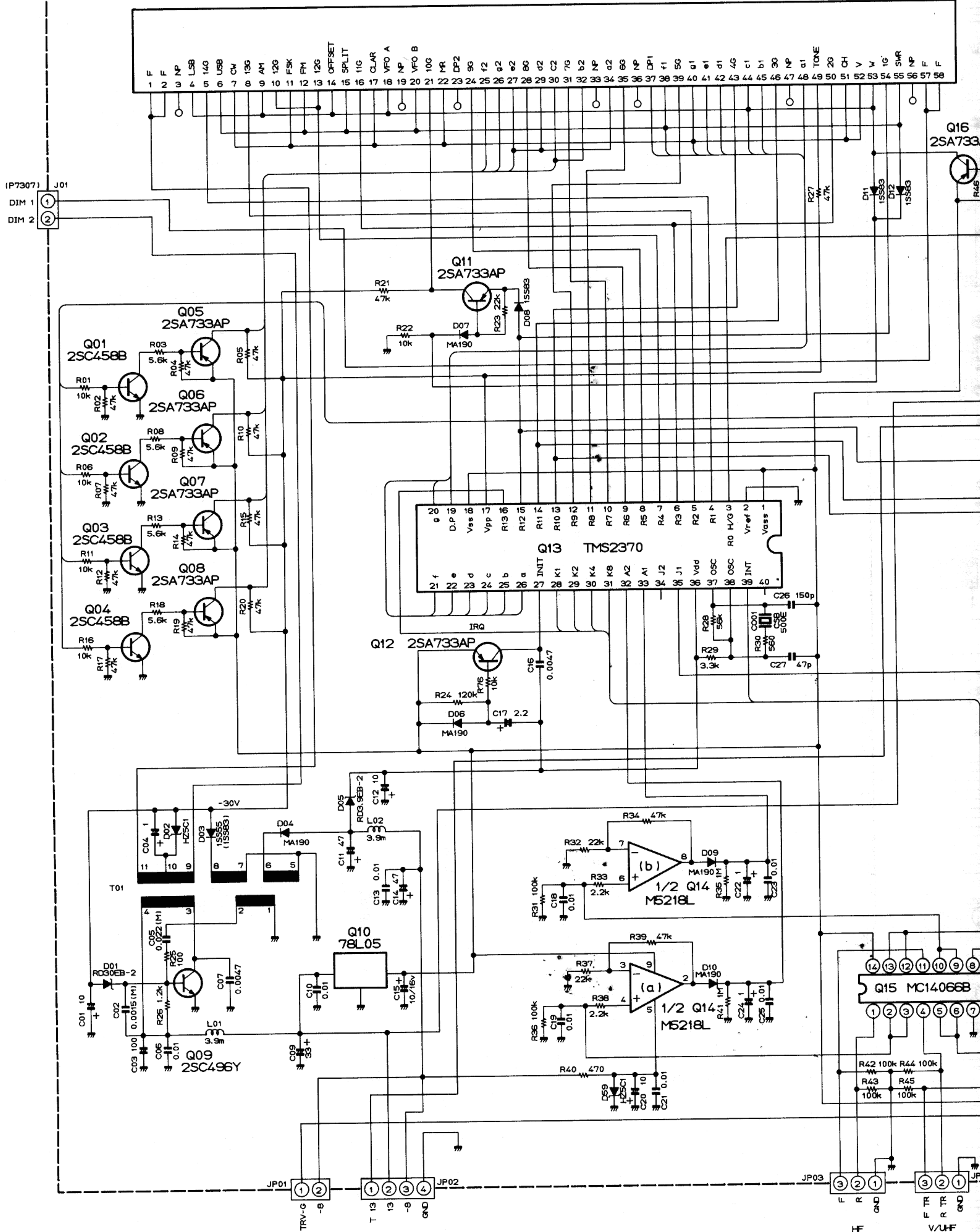


22-36
15-22
7.5-15
0-7.5

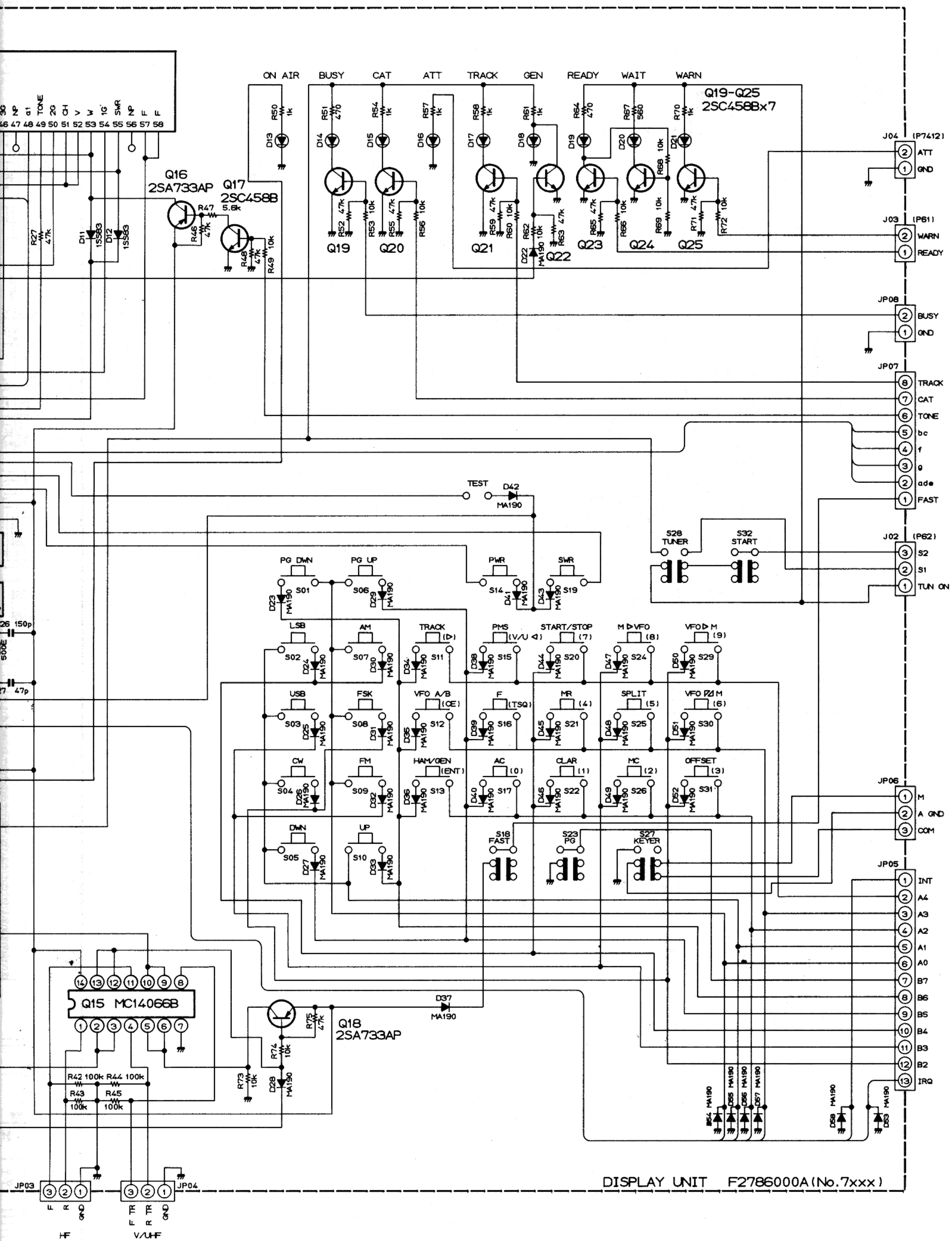
RESISTOR VALUES ARE IN Ω , 1/4W;
CAPACITOR VALUES ARE IN μ F, 50V;
INDUCTOR VALUES ARE IN HENRIES UNLESS OTHERWISE NOTED.
DIODES ARE TYPE 1S553 UNLESS OTHERWISE NOTED.
(*1) CAPACITORS ARE SEMICONDUCTOR CERAMIC, 25V.

LOCAL UNIT F2782000A (No.3xxx)

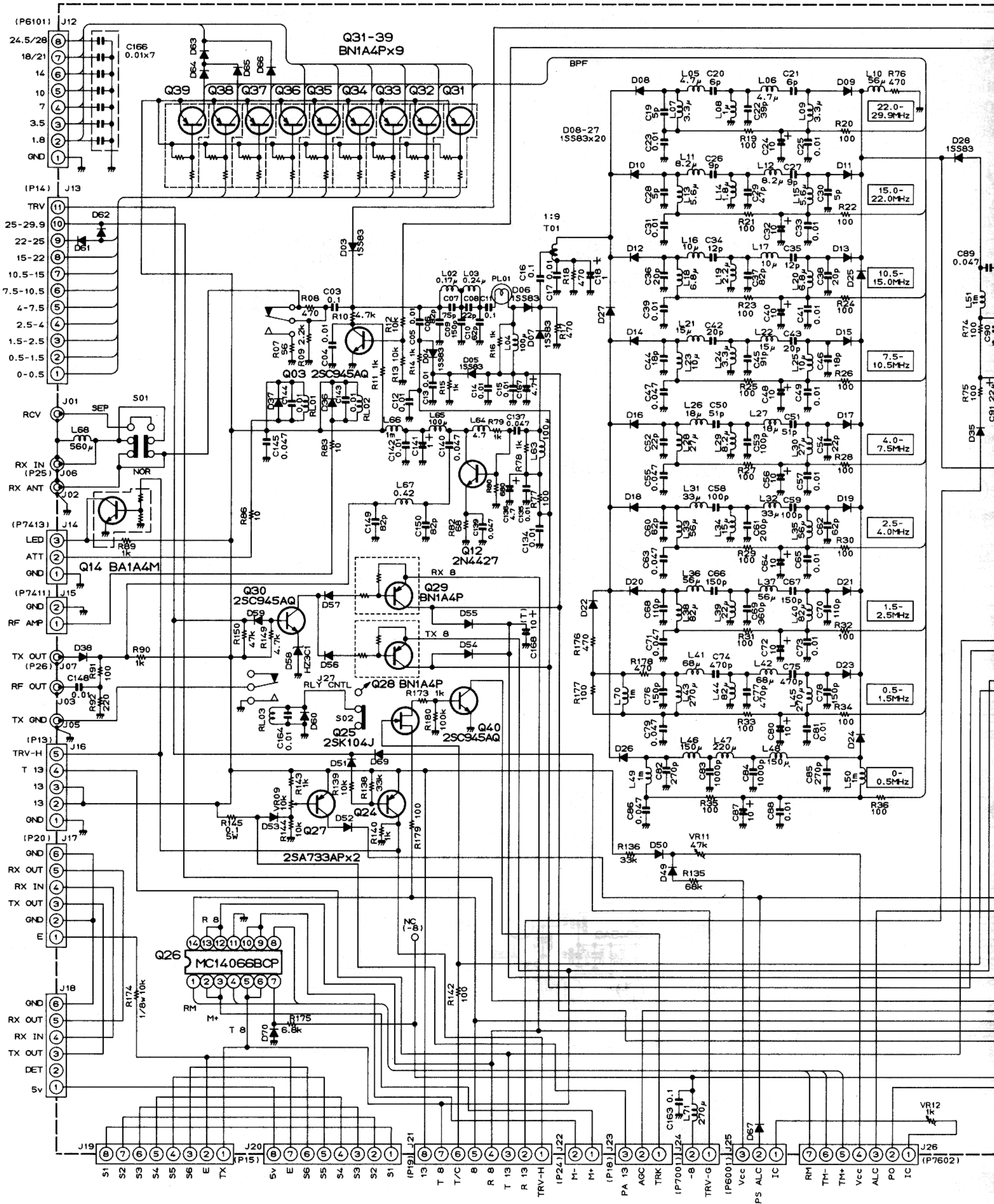
DS01

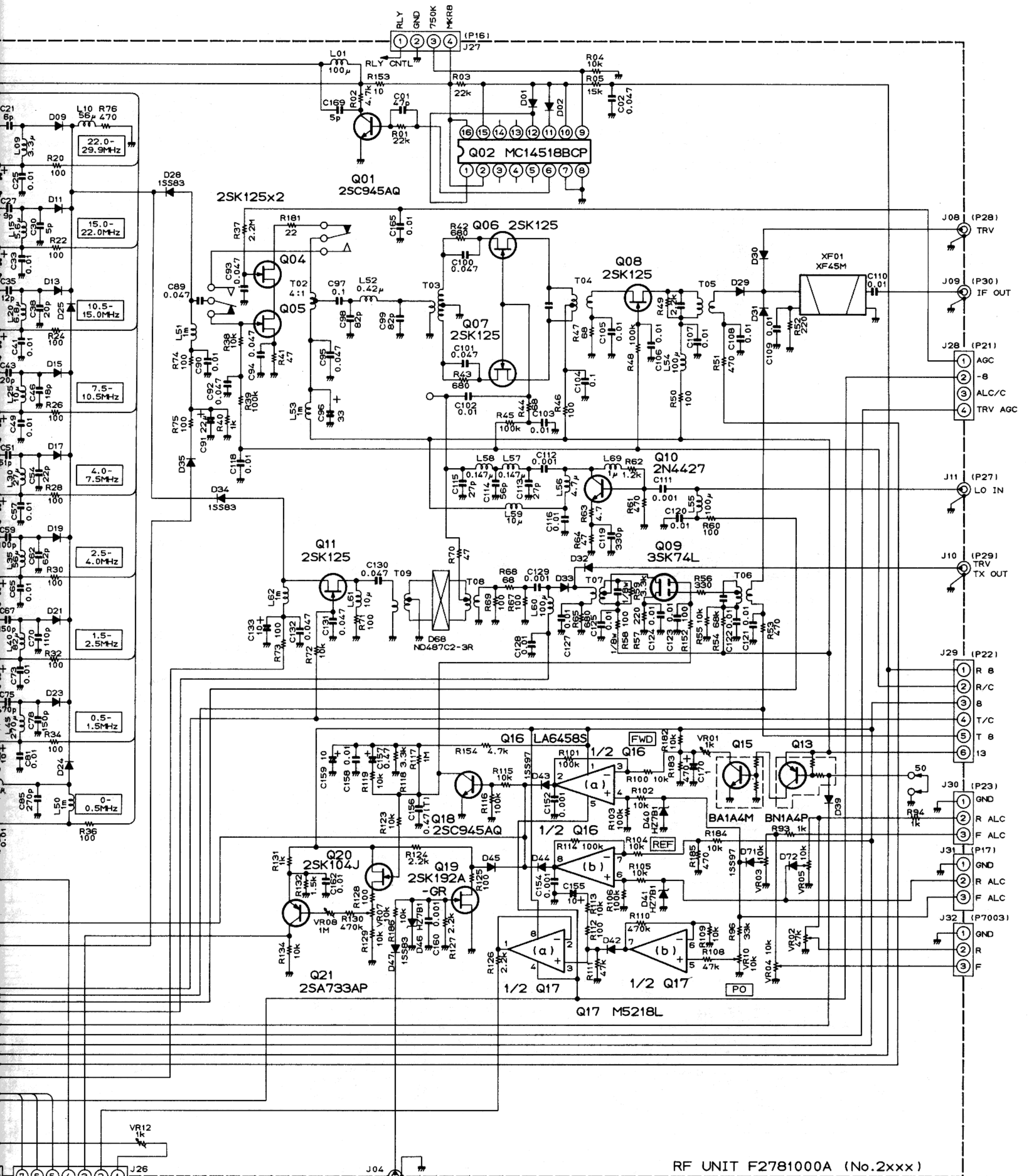


RESISTOR VALUES ARE IN Ω , 1/4W; CAPACITOR VALUES ARE IN μ F;
 AND INDUCTOR VALUES ARE IN H; UNLESS OTHERWISE NOTED.
 (M) CAPACITORS ARE POLYESTER FILM, 50WV.



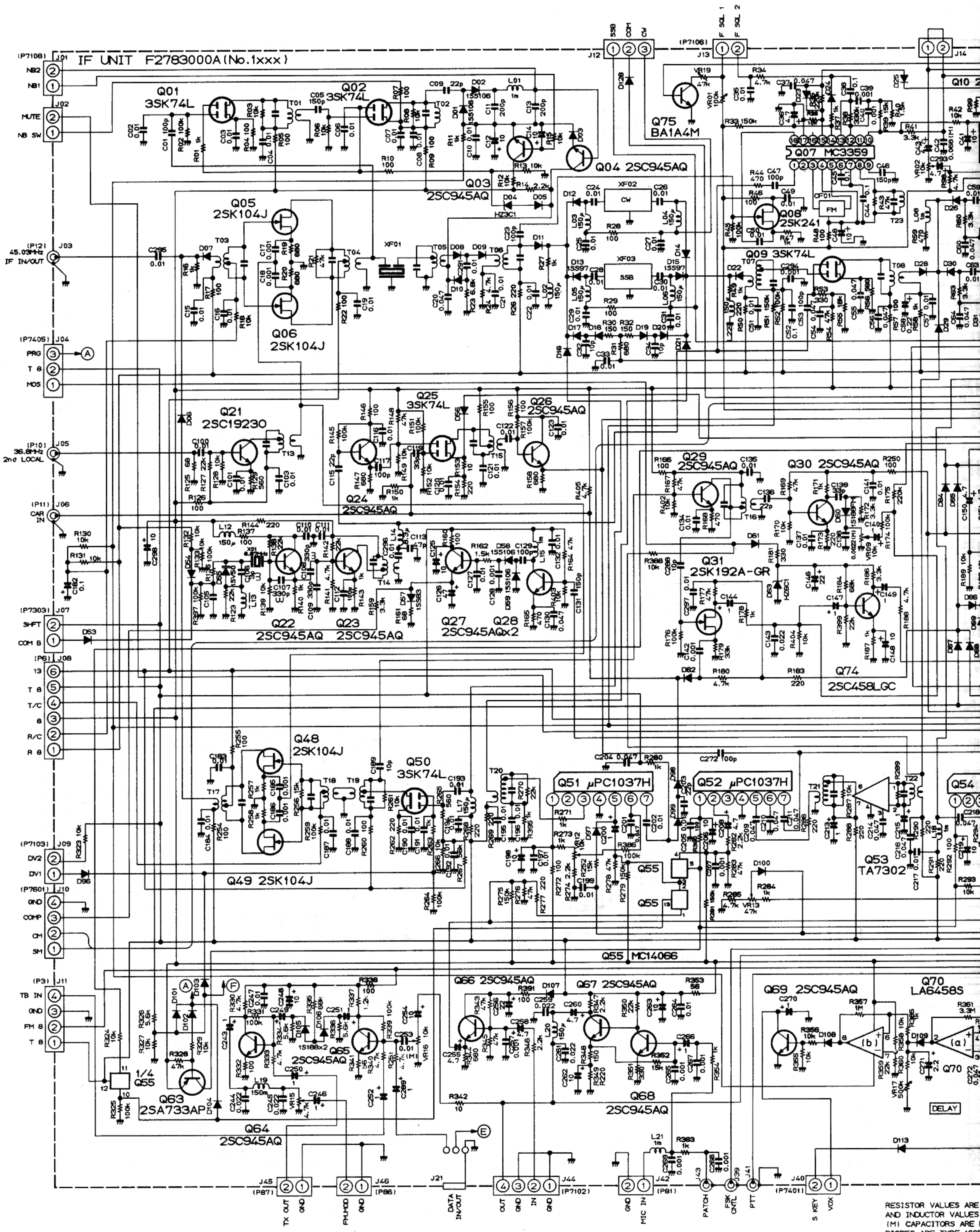
DISPLAY UNIT F2786000A (No.7xxx)

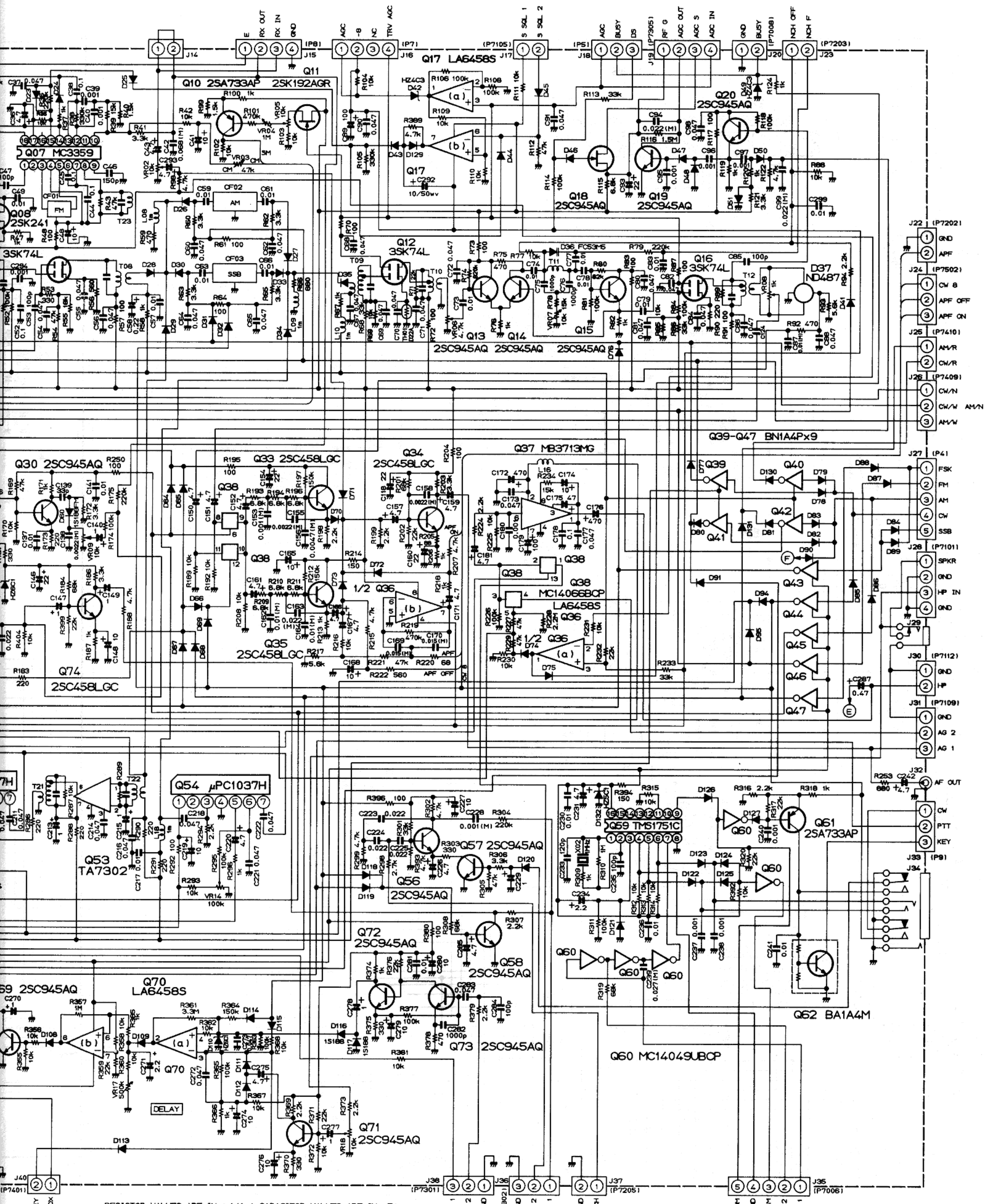




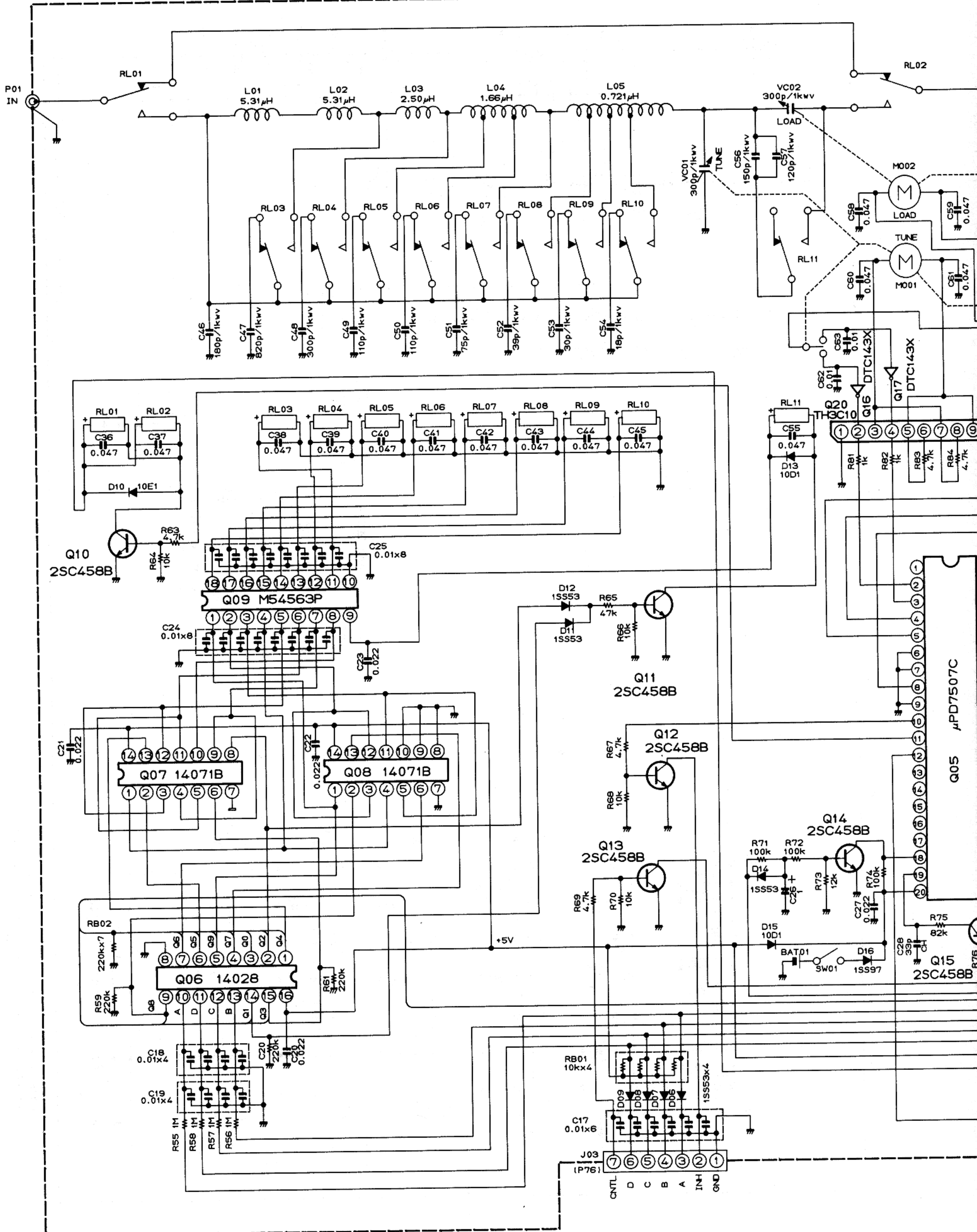
RF UNIT F2781000A (No. 2xxx)

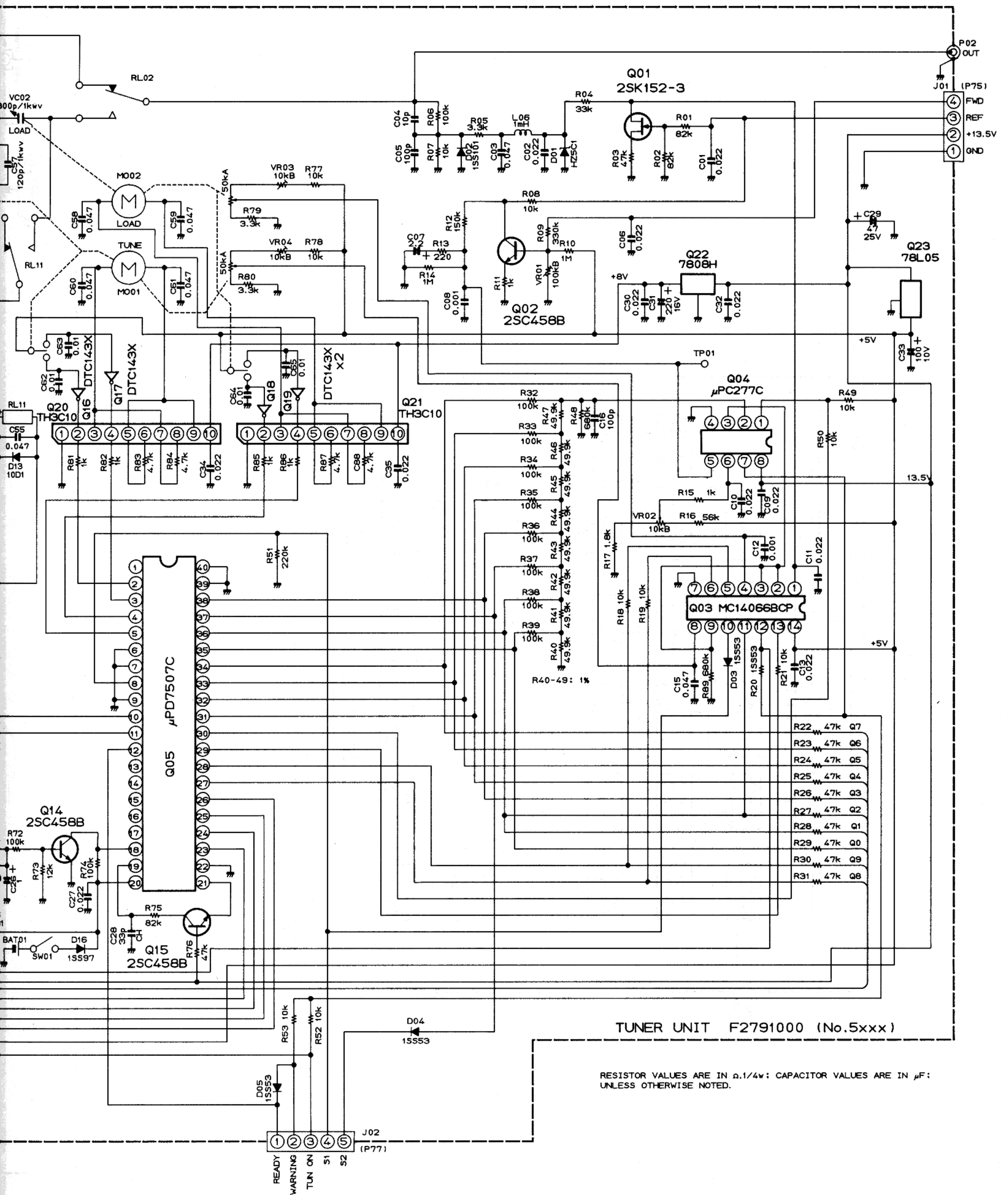
RESISTOR VALUES ARE IN Ω , 1/4W;
 CAPACITOR VALUES ARE IN μ F; INDUCTOR VALUES ARE IN H;
 UNLESS OTHERWISE NOTED.
 DIODES ARE TYPE 1S553 UNLESS OTHERWISE NOTED.
 (T) CAPACITORS ARE TANTALUM, 16Vv.





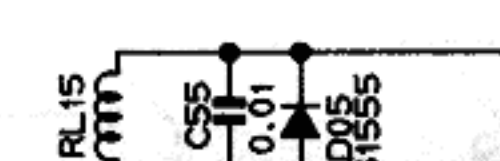
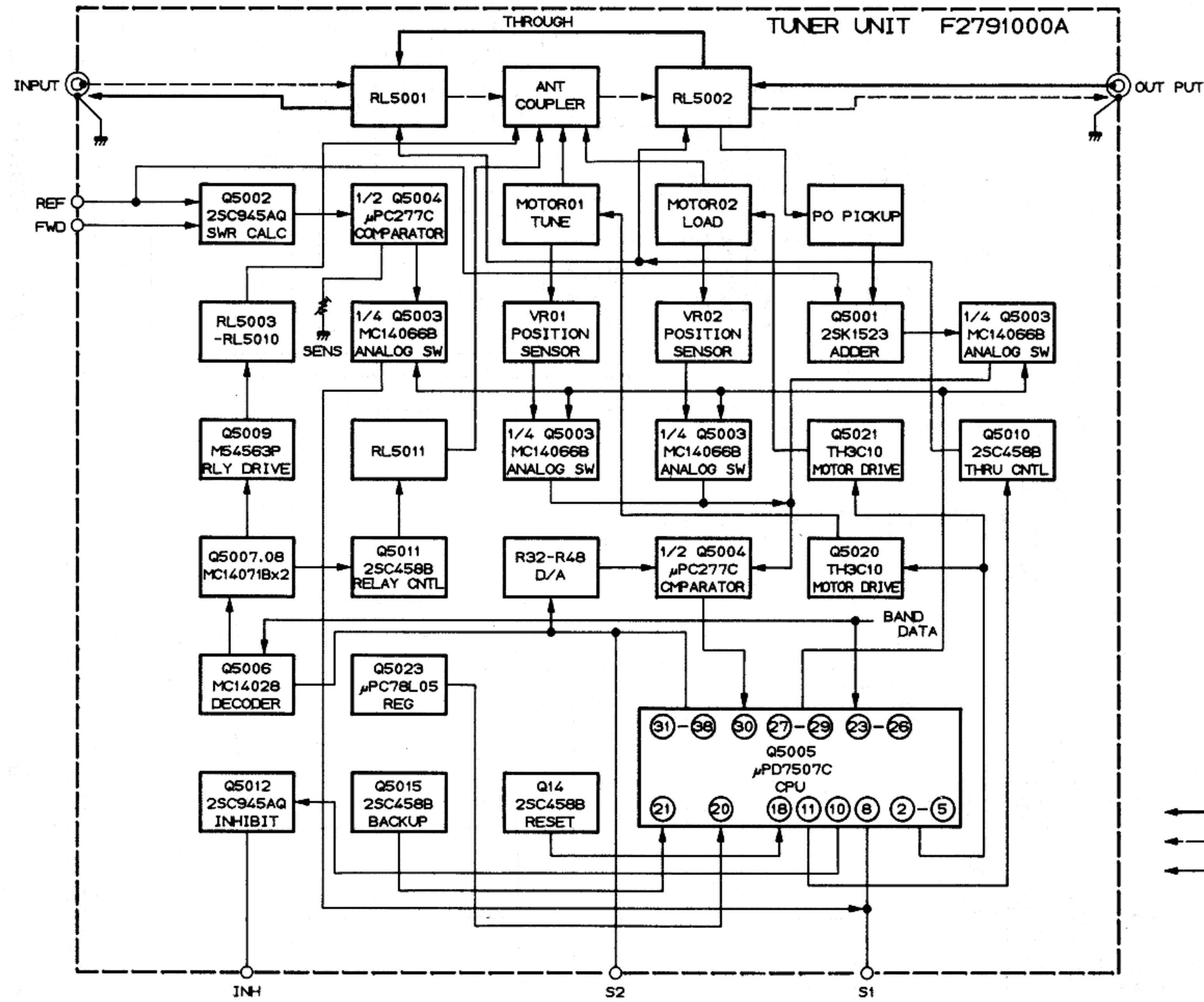
RESISTOR VALUES ARE IN Ω , $\frac{1}{4}$ W; CAPACITOR VALUES ARE IN μ F;
 AND INDUCTOR VALUES ARE IN H; UNLESS OTHERWISE NOTED.
 (M) CAPACITORS ARE POLYESTER FILM, 50WV.
 DIODES ARE TYPE 1S553 UNLESS OTHERWISE NOTED.

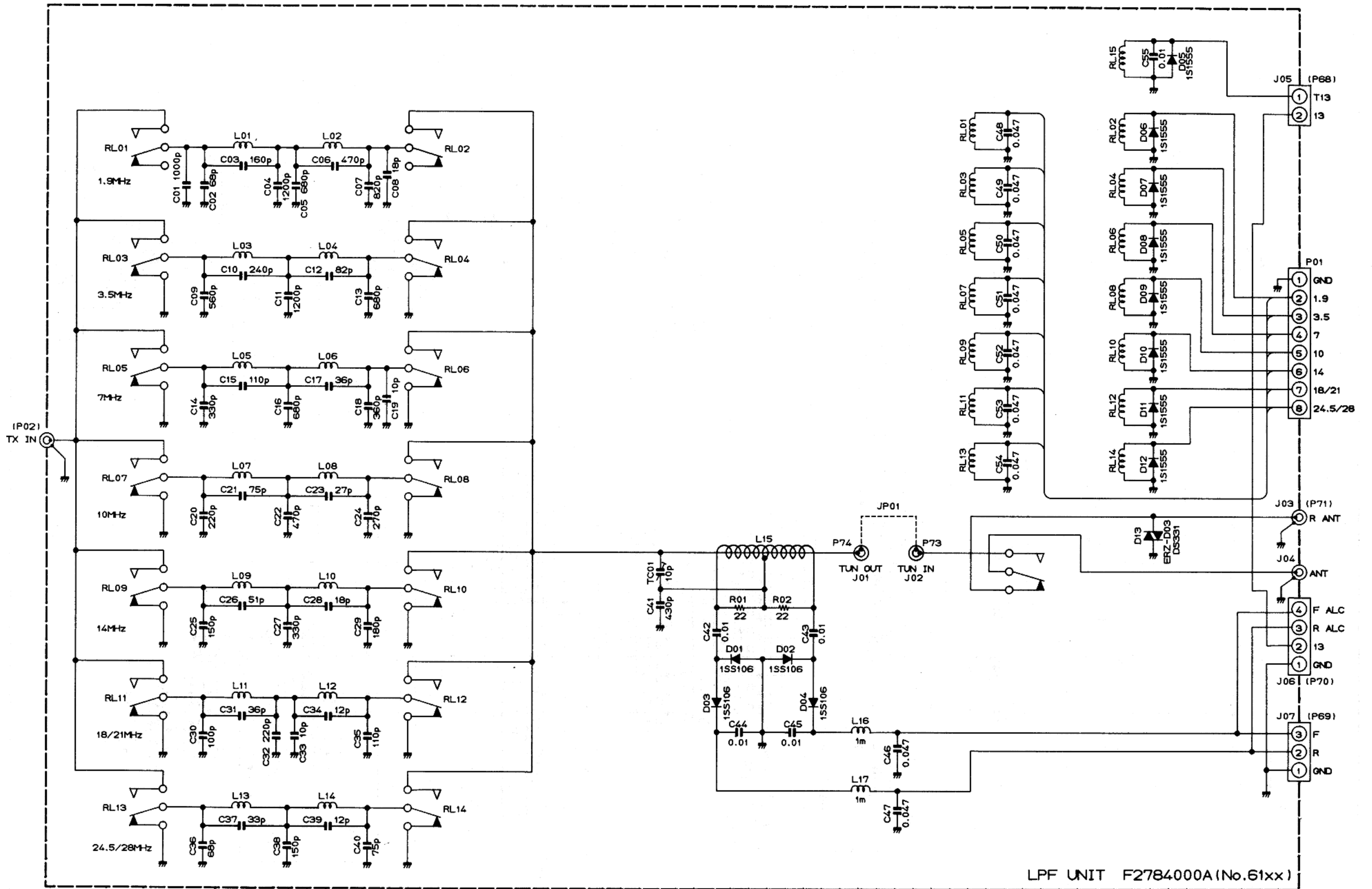




TUNER UNIT F2791000 (No. 5xxx)

RESISTOR VALUES ARE IN Ω, 1/4W; CAPACITOR VALUES ARE IN μF;
UNLESS OTHERWISE NOTED.





RESISTOR VALUES ARE IN Ω , 1/4W; CAPACITOR VALUES ARE IN μ F;
AND INDUCTOR VALUES ARE IN H; UNLESS OTHERWISE NOTED.