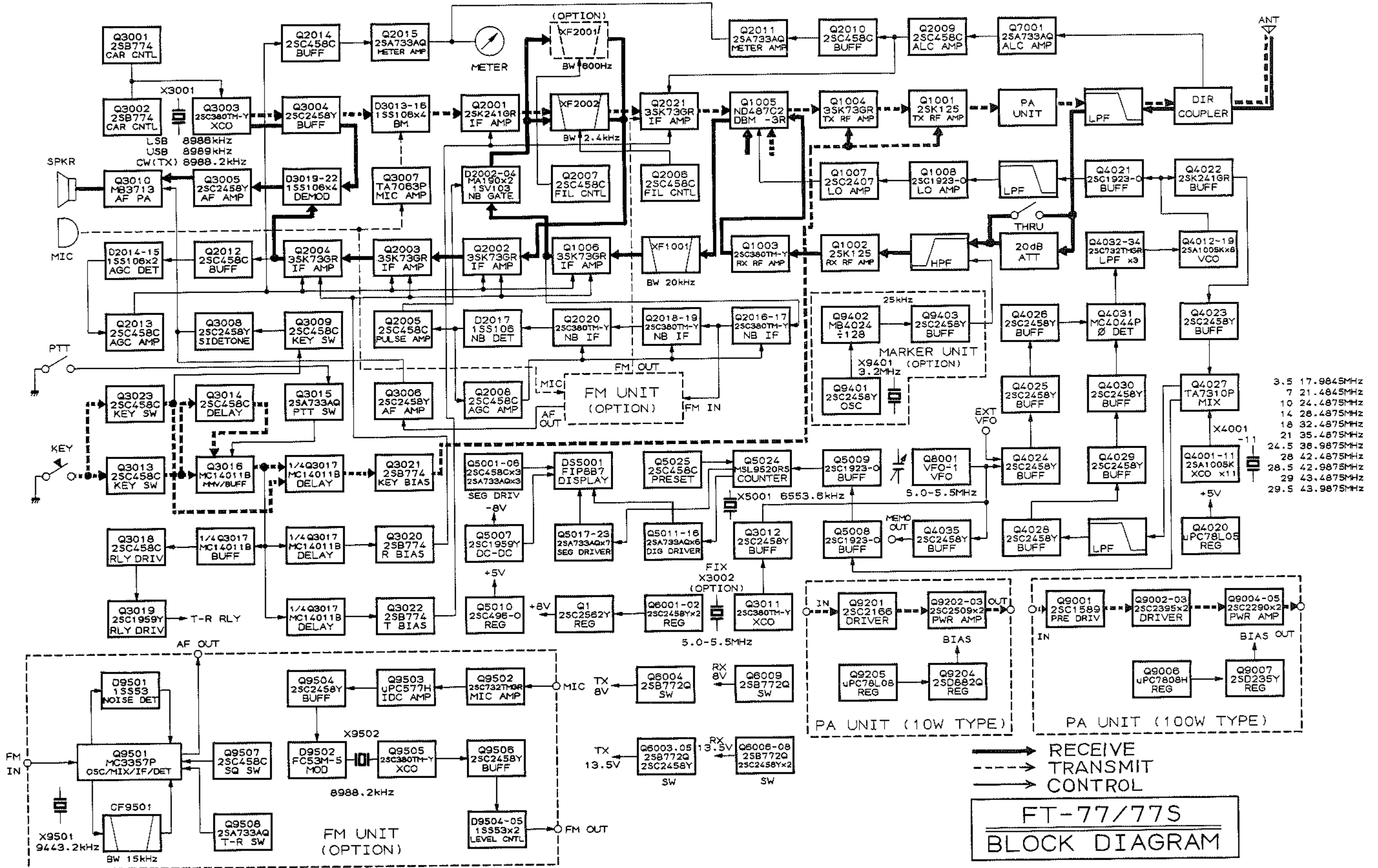
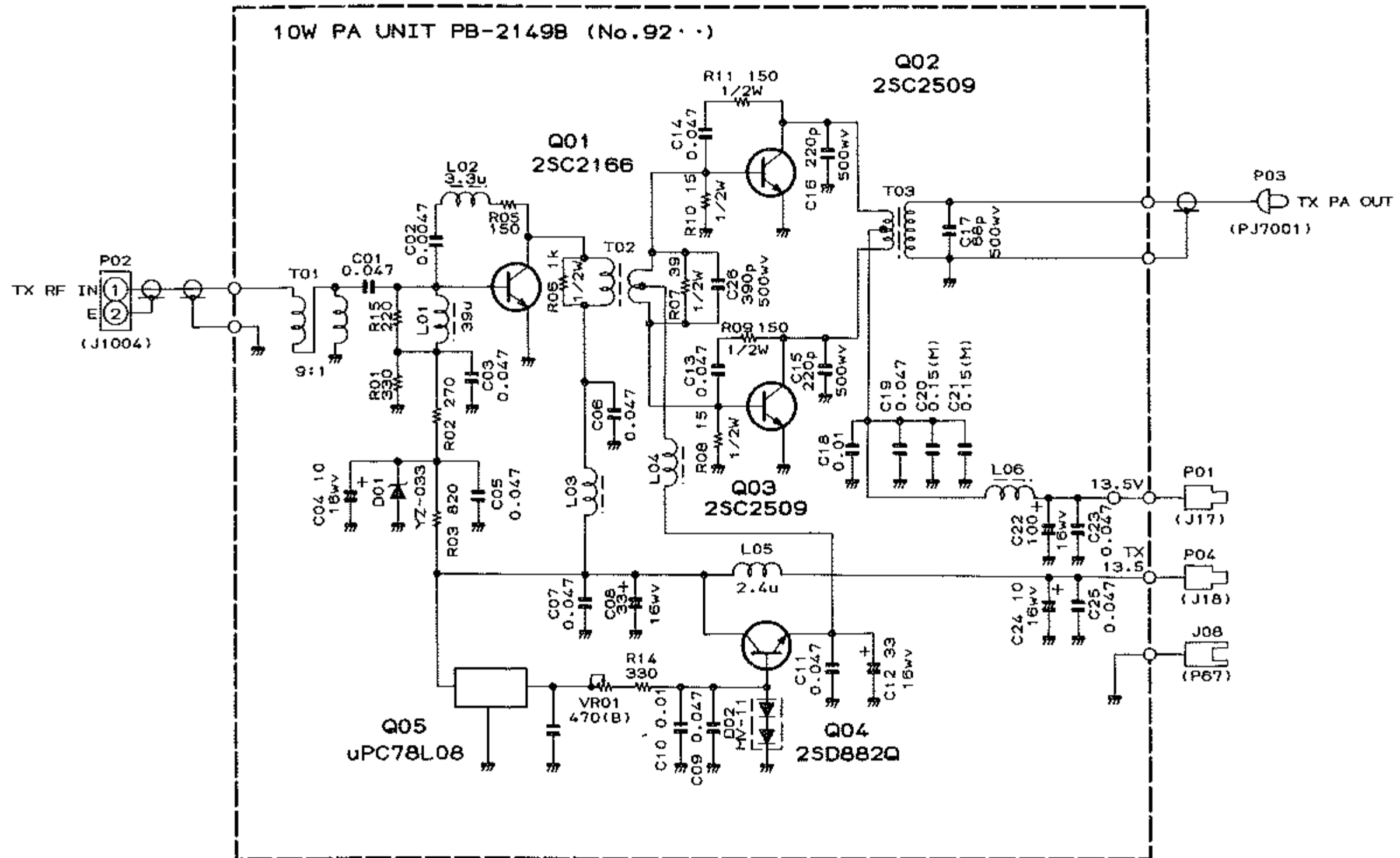


CWモード送受信信号経路図

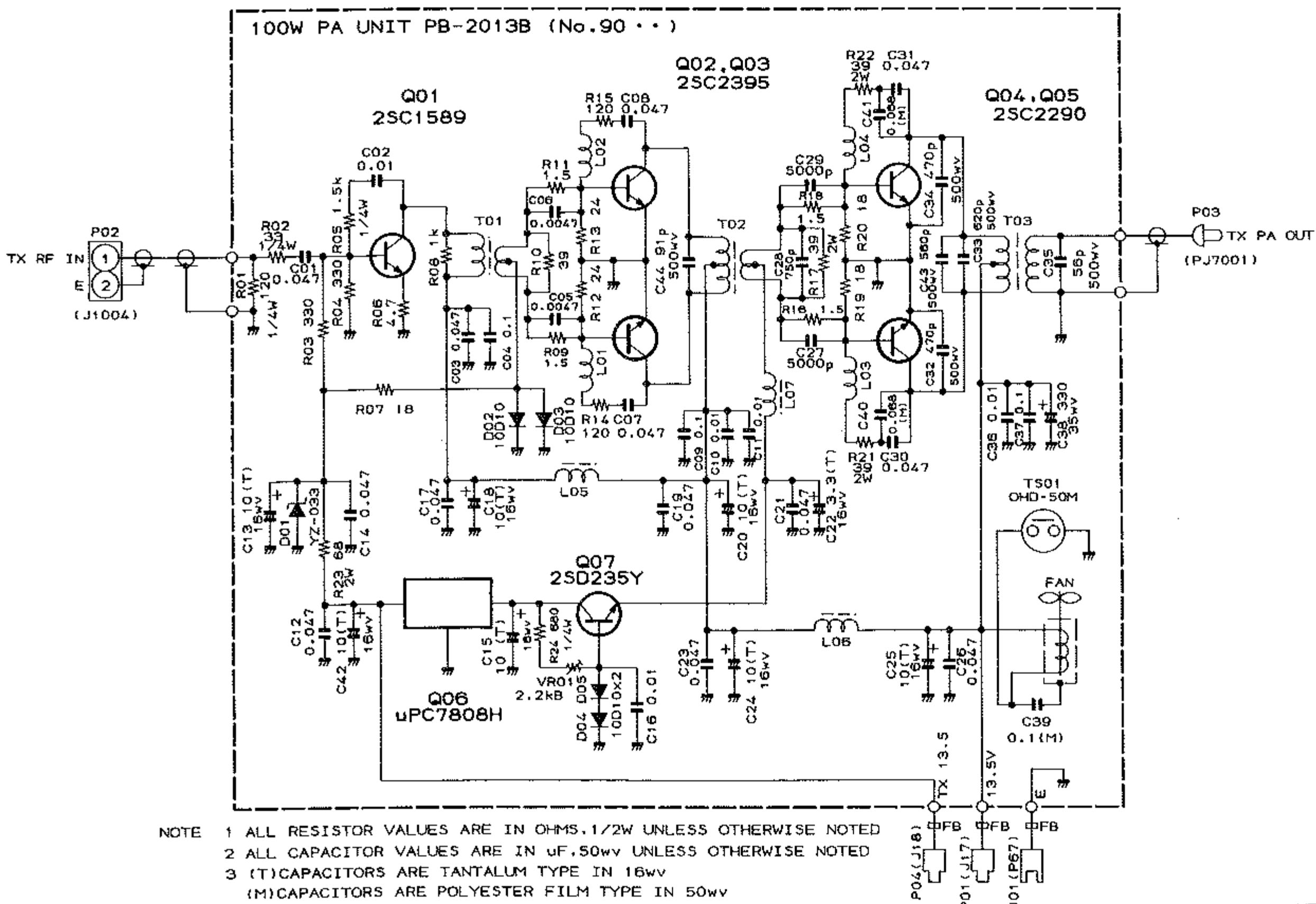
2-13





NOTE 1 ALL RESISTOR VALUES ARE IN OHMS, 1/4W UNLESS OTHERWISE NOTED
 2 ALL CAPACITOR VALUES ARE IN μ F, 50WV UNLESS OTHERWISE NOTED
 3 (M) CAPACITORS ARE POLYESTER FILM TYPE IN 50WV

10W PA UNIT
CIRCUIT DIAGRAM



NOTE 1 ALL RESISTOR VALUES ARE IN OHMS, 1/2W UNLESS OTHERWISE NOTED
 2 ALL CAPACITOR VALUES ARE IN μ F, 50WV UNLESS OTHERWISE NOTED
 3 (T) CAPACITORS ARE TANTALUM TYPE IN 16WV
 (M) CAPACITORS ARE POLYESTER FILM TYPE IN 50WV

100W PA UNIT
CIRCUIT DIAGRAM

D9001	YZ033	Zener Diode	Regulator (for Drive Amplifier Bias)
D9002	10D10	Si Diode	Temperature Compensator (for Drive Amplifier Bias)
D9003	"	"	(")
D9004	"	"	(for Final Amplifier Bias)
D9005	"	"	(")

MARKER UNIT (OPTION)

PART NO.	DEVICE	TYPE	FUNCTION
Q9401	2SC2458Y	Transistor	MARKER Oscillator
Q9402	MB84024BM-G	IC	MARKER 1/128 Divider
Q9403	2SC2458Y	Transistor	MARKER Buffer Amplifier
X9401	3200 KHz	Crystal (HC-6/W)	MARKER Oscillator

10W PA UNIT

PART NO.	DEVICE	TYPE	FUNCTION
Q9201	2SC2166	Transistor	TX Drive Amplifier
Q9202	2SC2509	"	TX Final Amplifier
Q9203	"	"	"
Q9204	2SD882Q	"	Regulator (for Final Amplifier Bias)
Q9205	μPC78L08	IC	(")
D9201	YZ033	Zener Diode	Regulator (for Drive Amplifier Bias)
D9202	MV13	Varistor Diode	Temperature Compensator (for Final Amplifier Bias)

FM UNIT (OPTION)

PART NO.	DEVICE	TYPE	FUNCTION
Q9501	MC3357P	IC	RX FM Mixer, Limiter Amplifier, Noise Amplifier, Squelch Switch
Q9502	2SC732TM-GR	Transistor	TX FM MIC Amplifier
Q9503	μPC577H	IC	TX FM MIC Limiter Amplifier
Q9504	2SC2458Y	Transistor	TX FM MIC Buffer Amplifier
Q9505	2SC380TM-Y	"	TX FM Carrier VCXO
Q9506	2SC2458Y	"	TX FM Carrier Buffer Amplifier
Q9507	2SC458C	"	Squelch Switch (TX ON)
Q9508	2SA733AQ	"	RX Section Disable Switch (@ TX)
D9501	1SS53	Si Diode	RX FM Noise Detector
D9502	FC53M-5	Varactor Diode	TX FM Modulator
D9503	MV103	Varistor Diode	Temperature Compensator [for TX FM Modulator (D9502)]
D9504	1SS53	Si Diode	TX FM Limiter
D9505	"	"	"
D9506	"	"	RX Section Disable Switch (@ TX)
D9507	"	"	(")
X9501	9443.2 KHz	Crystal (HC-18/U)	RX FM 2nd LOCAL Oscillator
X9502	8988.2 KHz	"	TX FM Carrier VCXO
CF9501	LFH-15S	Ceramic Filter	RX FM 2nd IF Filter

使用半導体等一覽

FCD		2SC2166	1*
FIP8B7	1	2SC2290	2**
		2SC2395	2**
ICs :		2SC2407	1
MB3713	1	2SC2458Y	18
MC4044P	1	2SC2509	2*
MC14011BCP	2	2SC2562Y	1
MSL9520RS	1	2SD235Y	1**
ND487C2-3R (Ring-Module)	1	2SD882Q	1*
TA7063P	1		
TA7310P	1	Diodes :	
VFO-1	1	1S2236 (Varactor Diode)	1
μPC78L05	1	1SS97 (Schottky Barrier Di.)	6
μPC78L08	1*	1SS106 (Schottky Barrier Di.)	14
μPC7808H	1**	1SV103 (Varactor Diode)	9
FETs :		10D1 (Si Diode)	2
2SK125	2	10D10 (Si Diode)	4**
2SK241GR	2	MA161 (Si Diode)	5
3SK73GR	6	MA190 (Si Diode)	120
Transistors :		MV11 (Varistor Diode)	1*
2SA733AQ	20	MV13 (Varistor Diode)	1
2SA1005K	19	RD5.6EB2 (Zener Diode)	2
2SB772Q	4	RD6.2EB2 (Zener Diode)	2
2SB774	5	RD7.5EB1 (Zener Diode)	1
2SC380TM-Y	8	RD8.2EB1 (Zener Diode)	1
2SC458C	18	TLR210 (LED)	2
2SC496-O	1	YZ033 (Zener Diode)	1
2SC732TM-GR	3		
2SC1589	1**		
2SC1923-O	4		
2SC1959Y	2		

※:10W MODEL
 ※※:100W MODEL