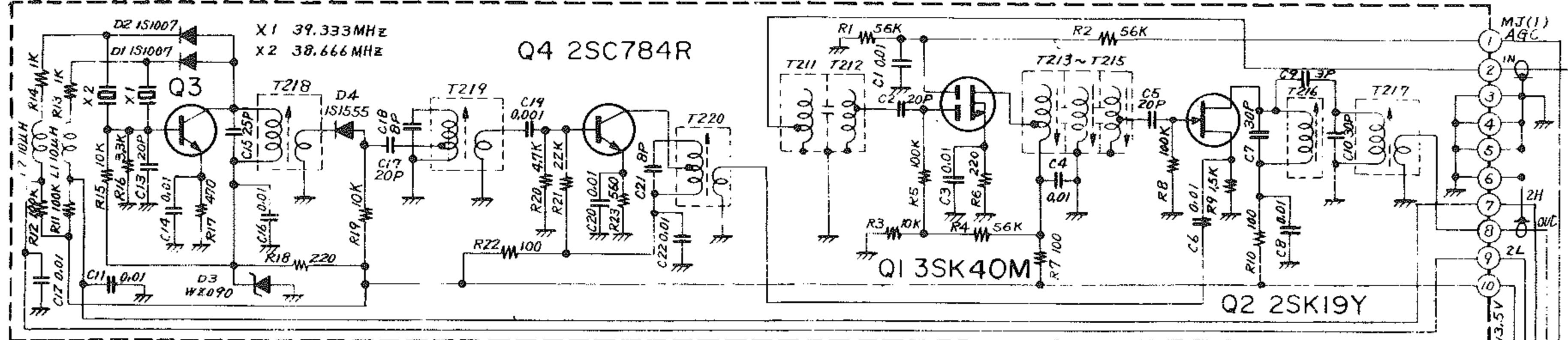
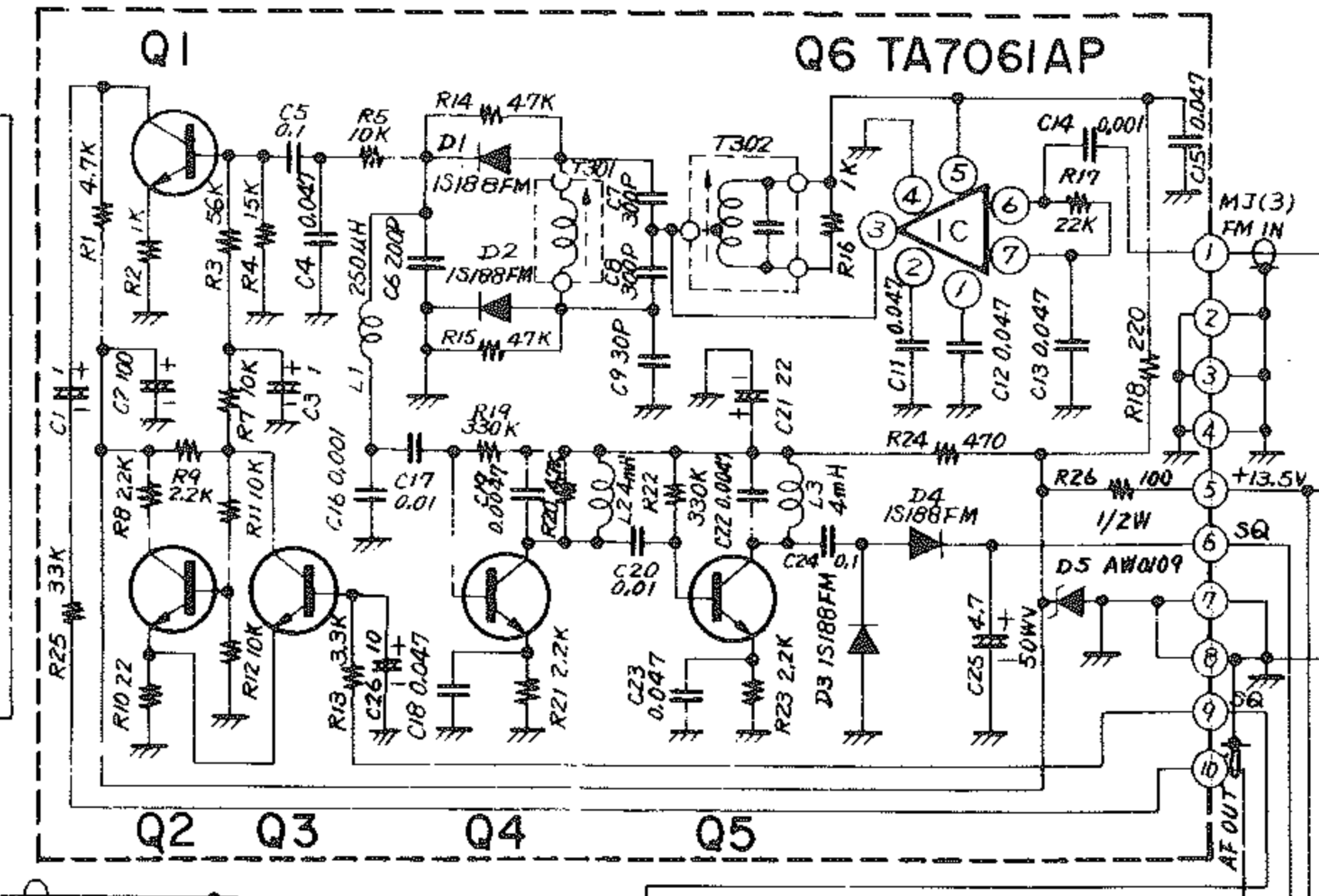


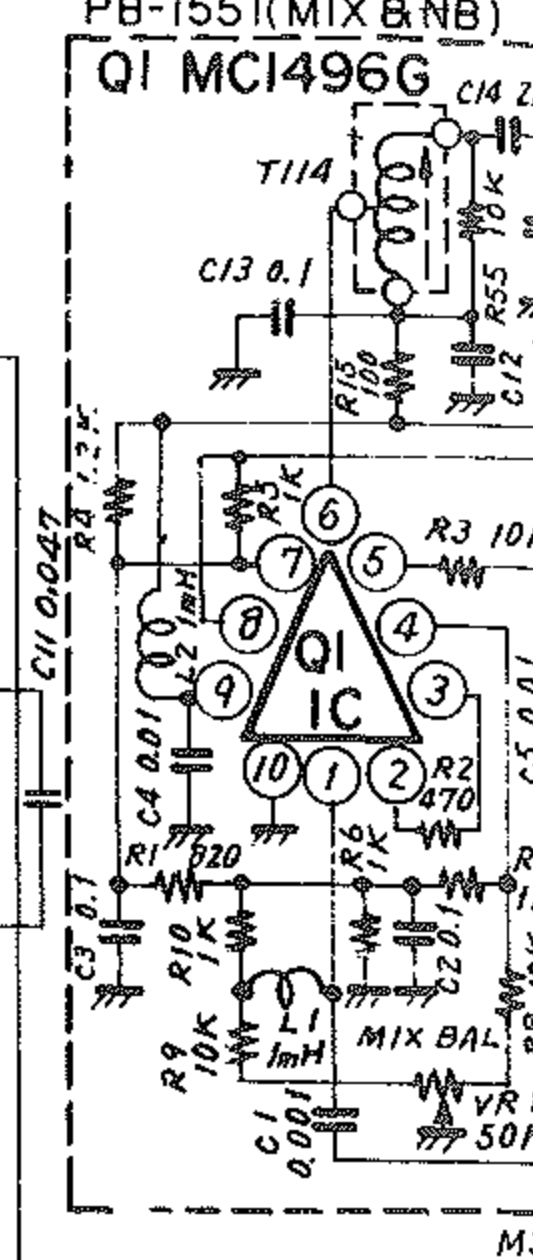
PB-1306A(2m CONVERTER)



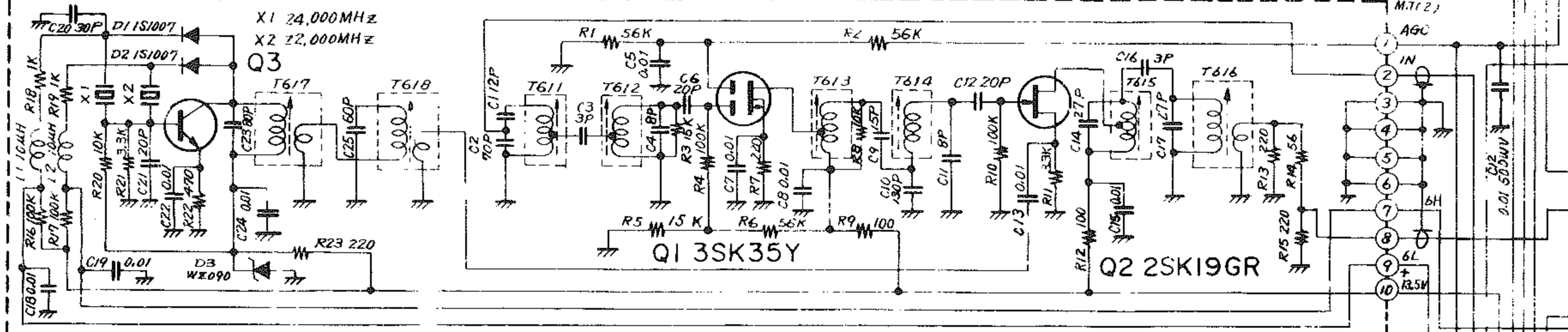
PB-1269C(FM DET)



PB-155I(MIX & NB)



PB-1305A(6m CONVERTER)



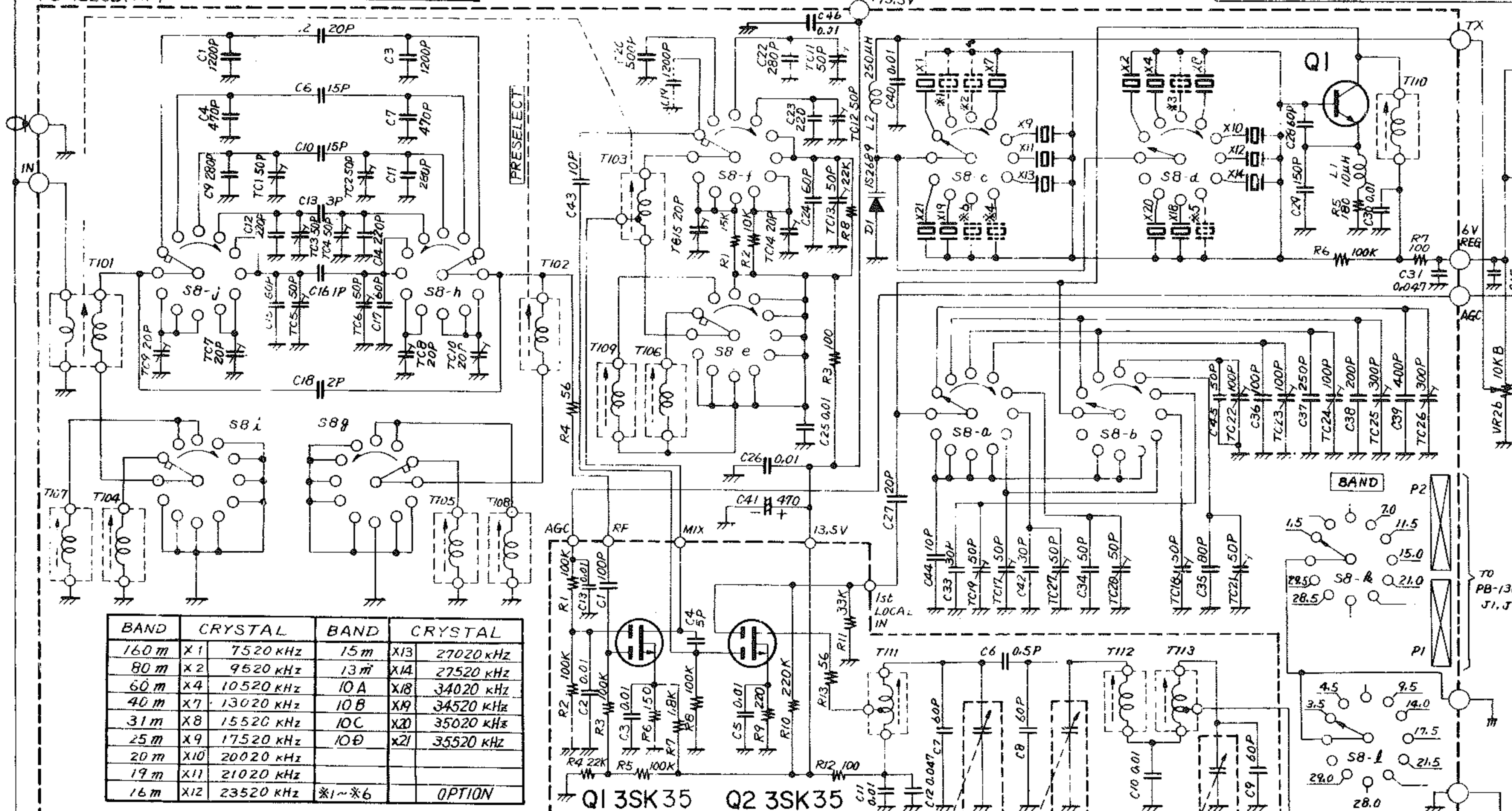
J1 2m ANT

J2 6m ANT

J3 HE ANT

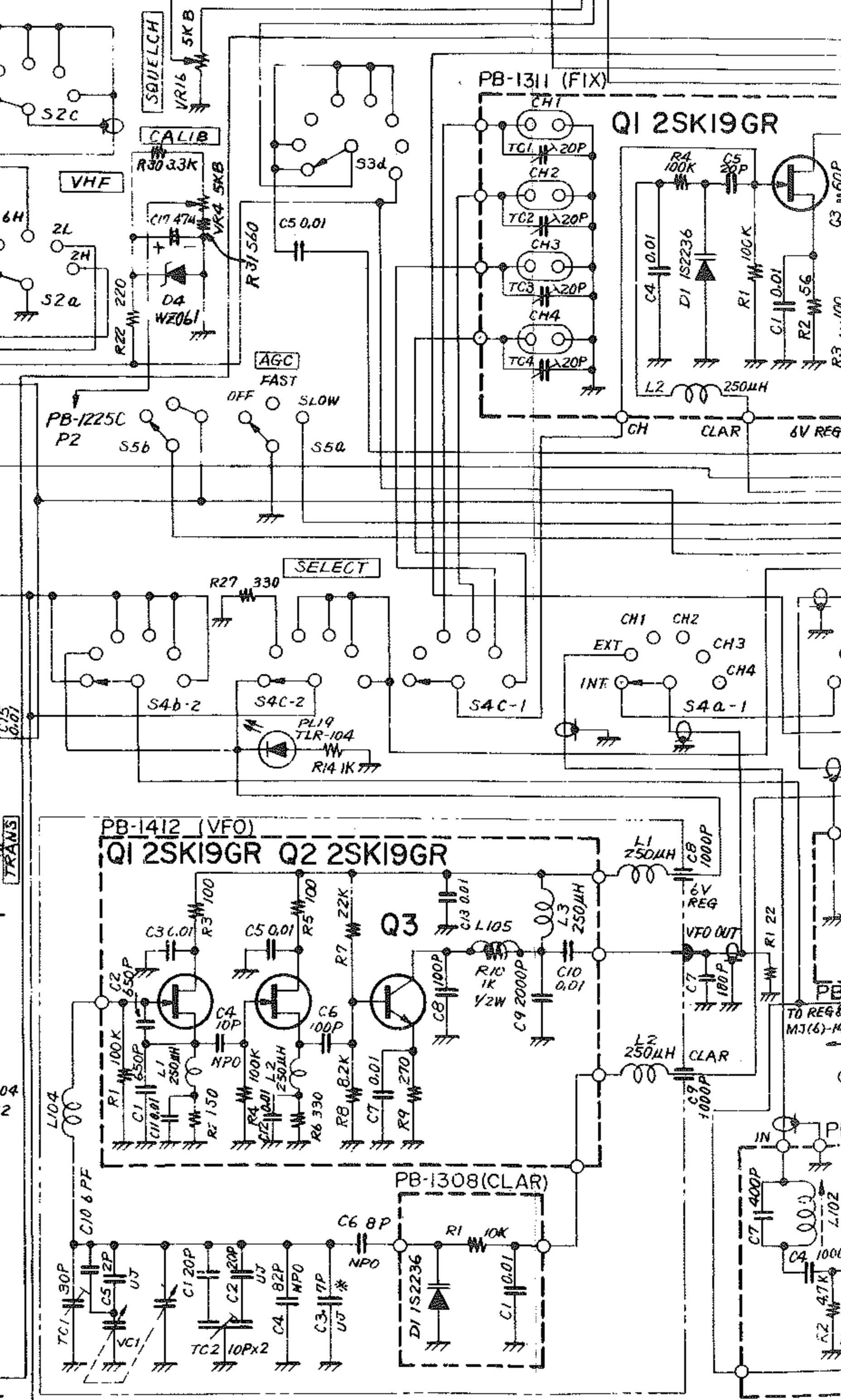
PB-1548 (IF TRAP A)

PB-1225D(RF)

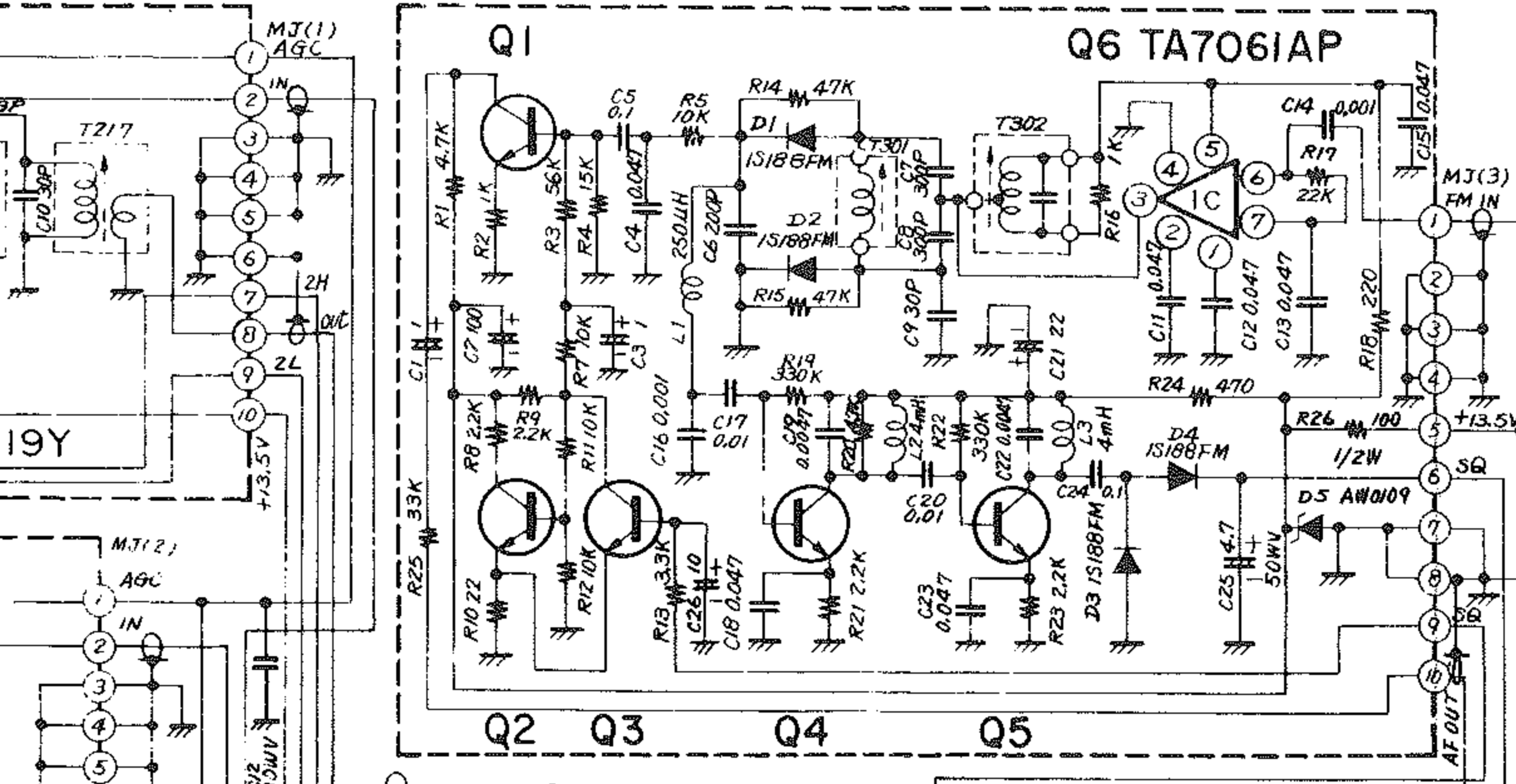


BAND	CRYSTAL	BAND	CRYSTAL
160m	X1 7520 kHz	15m	X13 27020 kHz
80m	X2 9520 kHz	13m	X14 27520 kHz
60m	X4 10520 kHz	10A	X18 34020 kHz
40m	X7 13020 kHz	10B	X19 34520 kHz
31m	X8 15520 kHz	10C	X20 35020 kHz
25m	X9 17520 kHz	10D	X21 35520 kHz
20m	X10 20020 kHz		
17m	X11 21020 kHz		
16m	X12 23520 kHz	*1~*6	OPTION

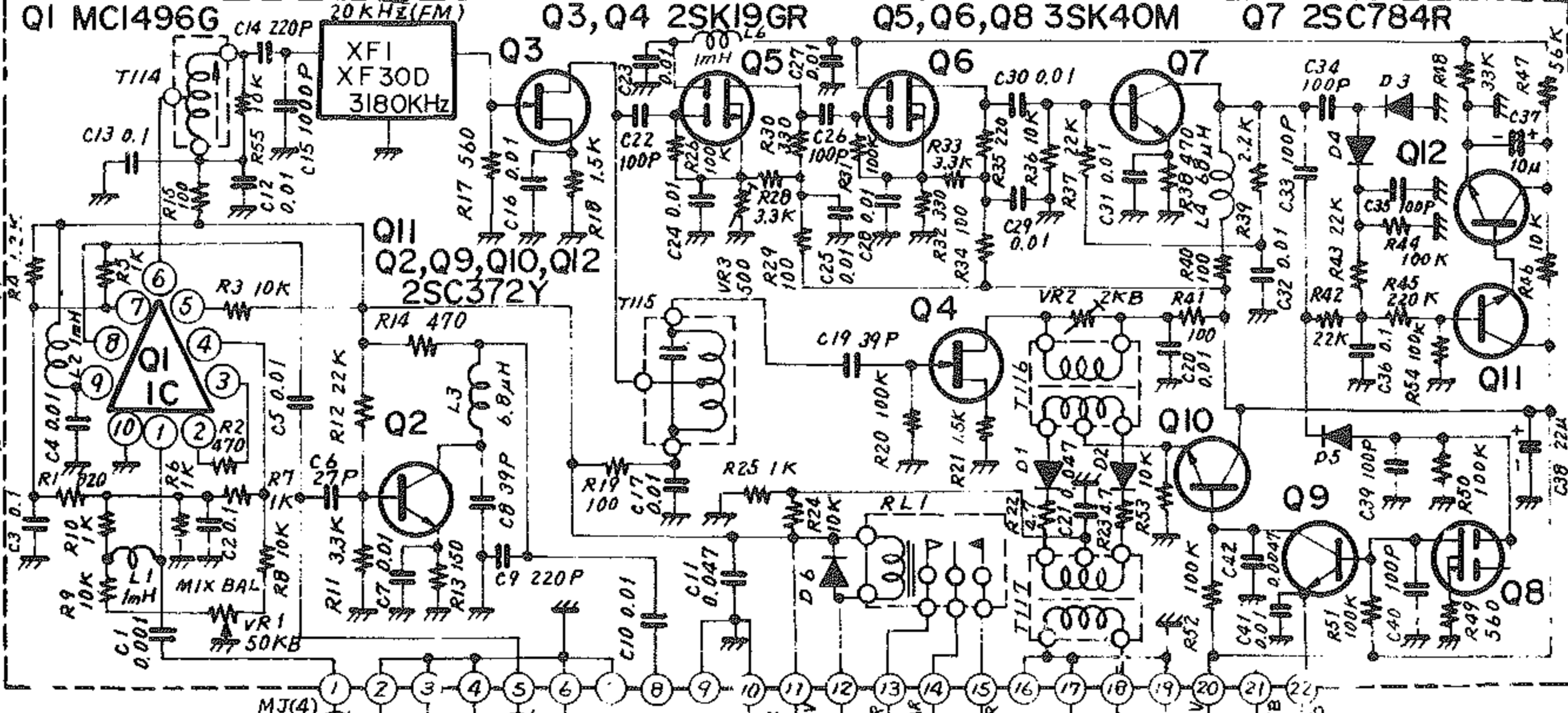
PB-1396 (RF AMP)



PB-1269C (FM DET)

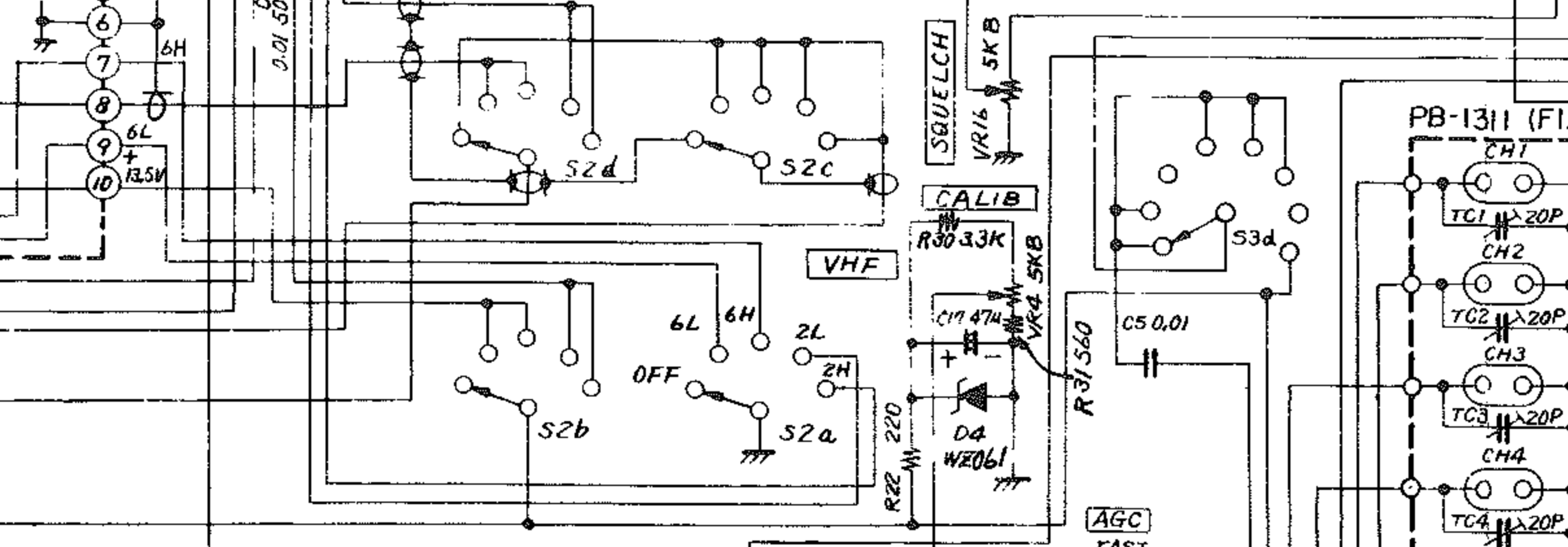
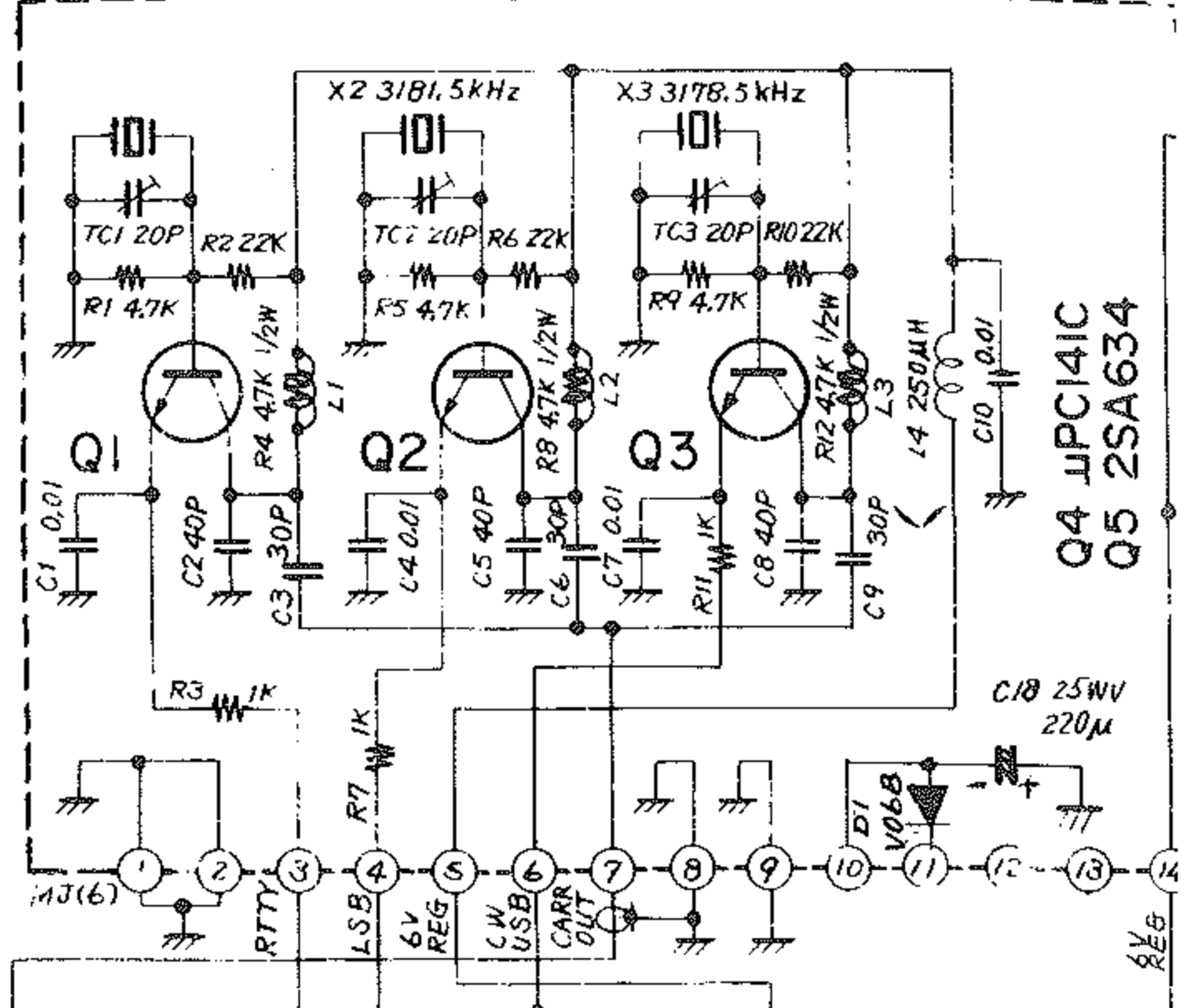


PB-155I (MIX & NB)

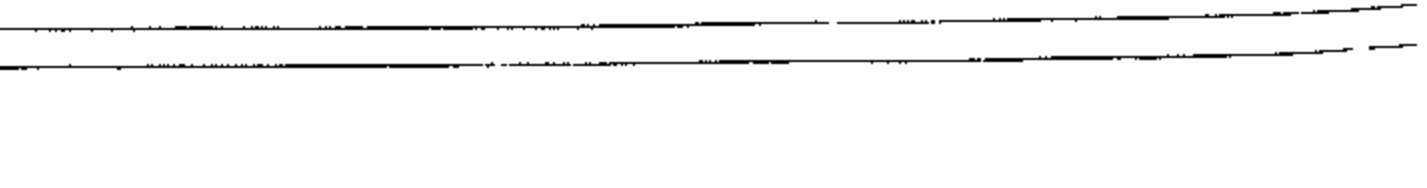
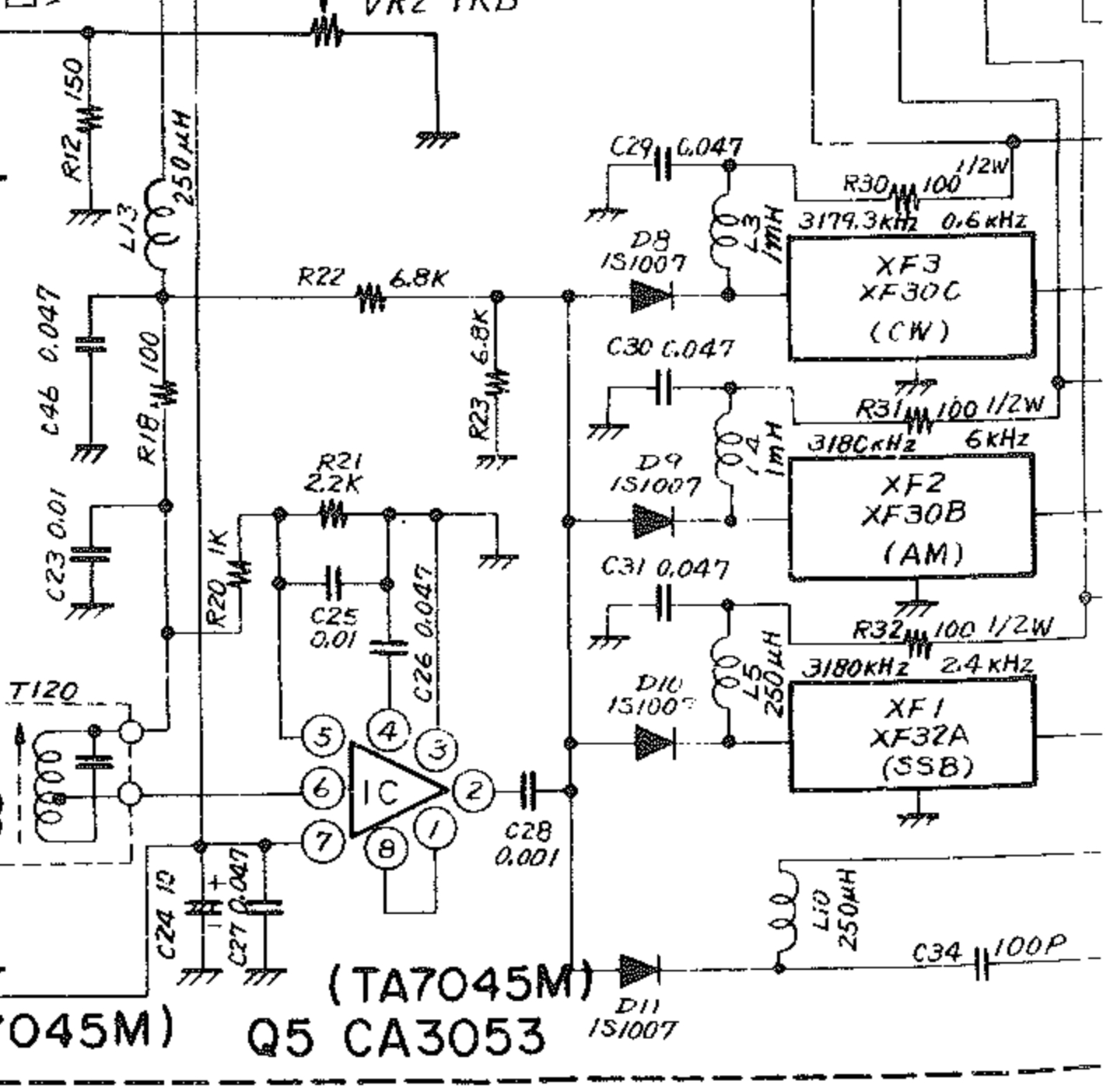
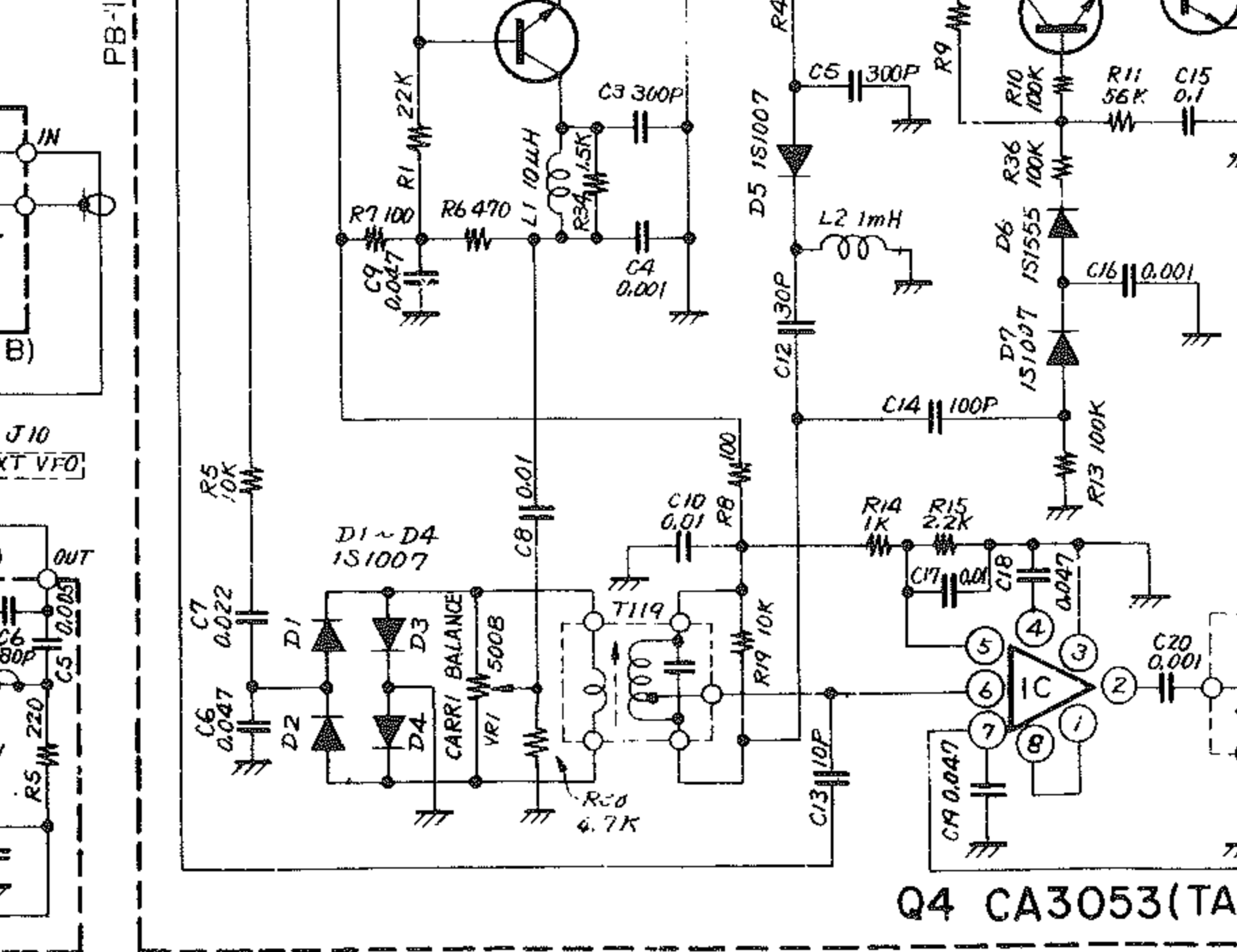
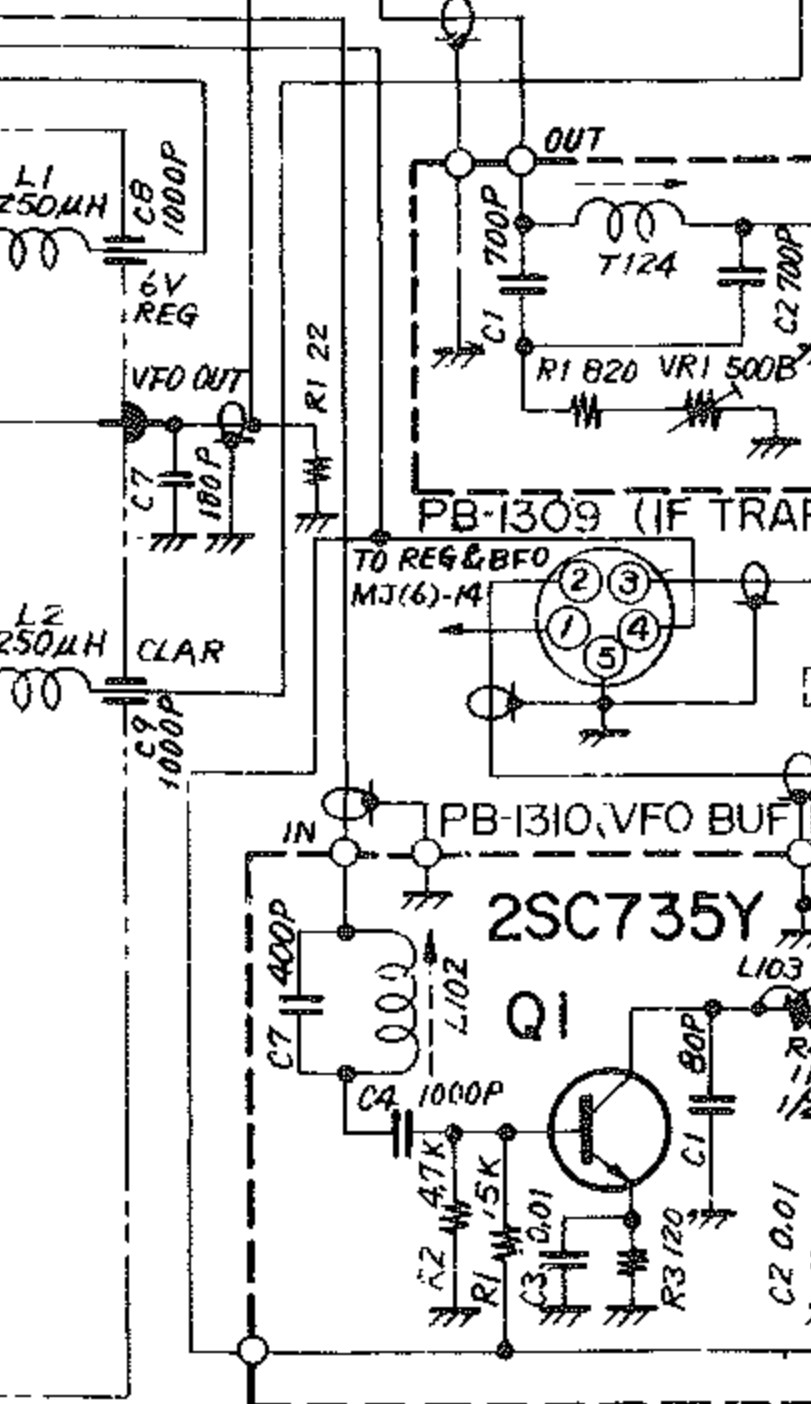
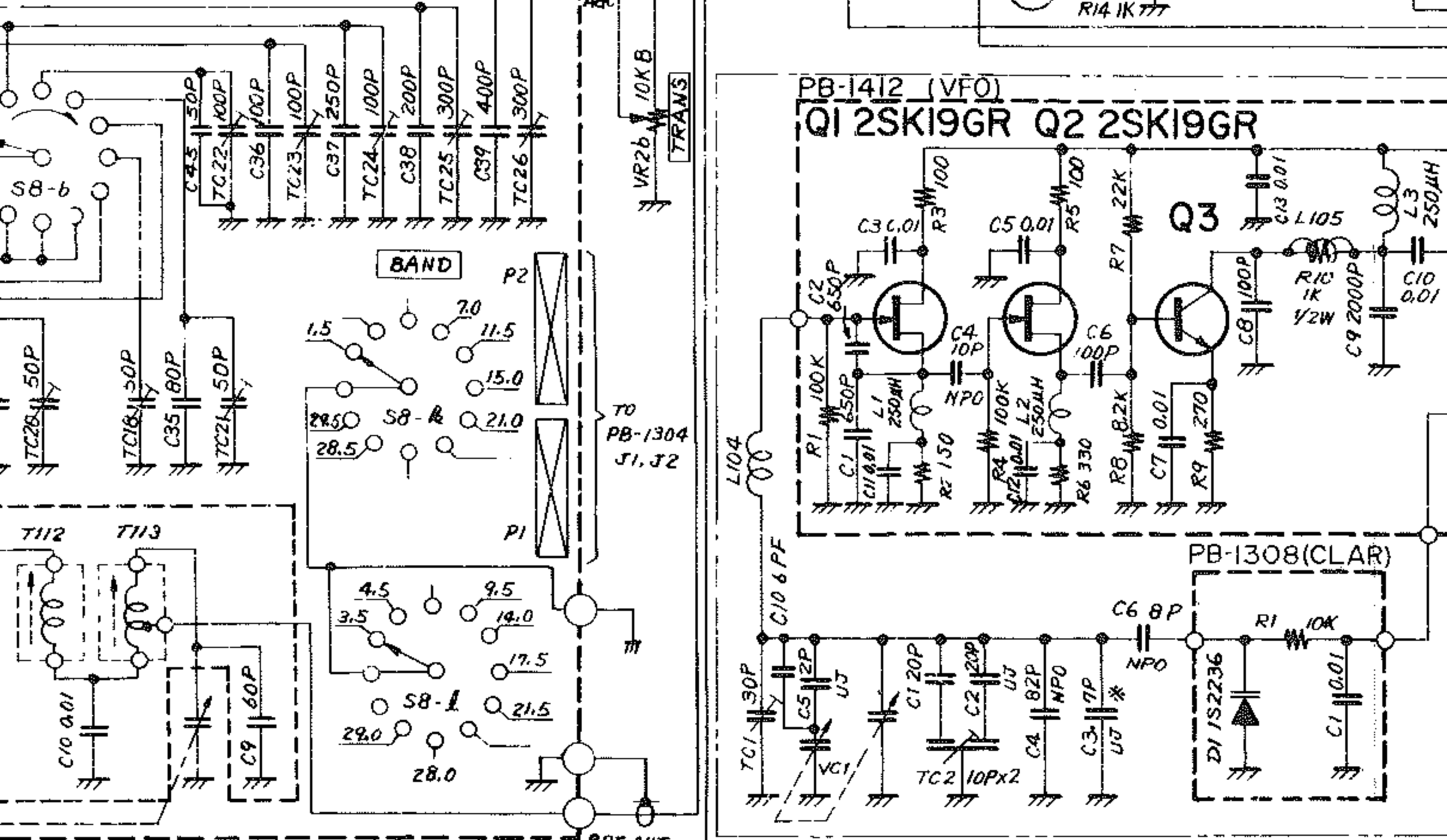
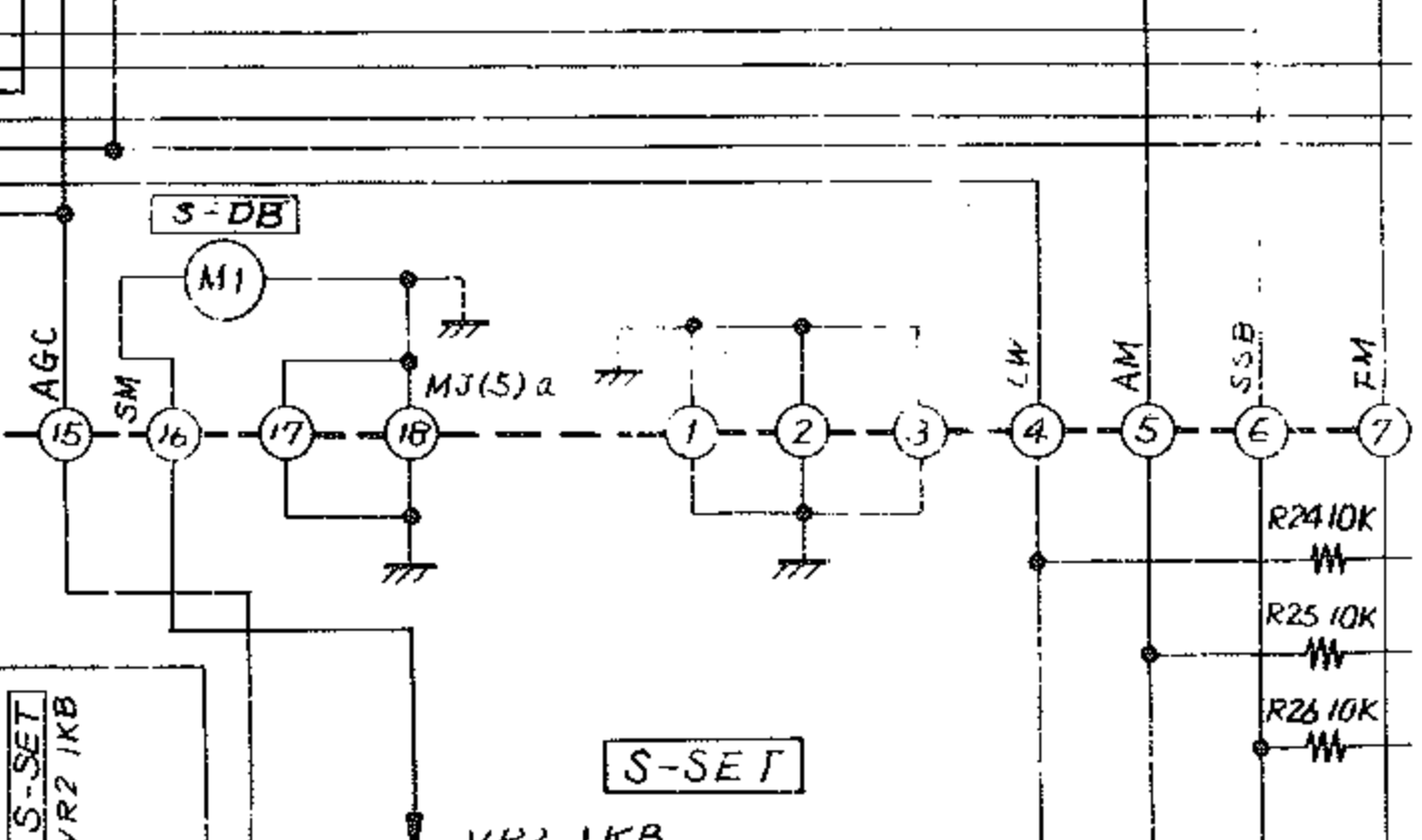
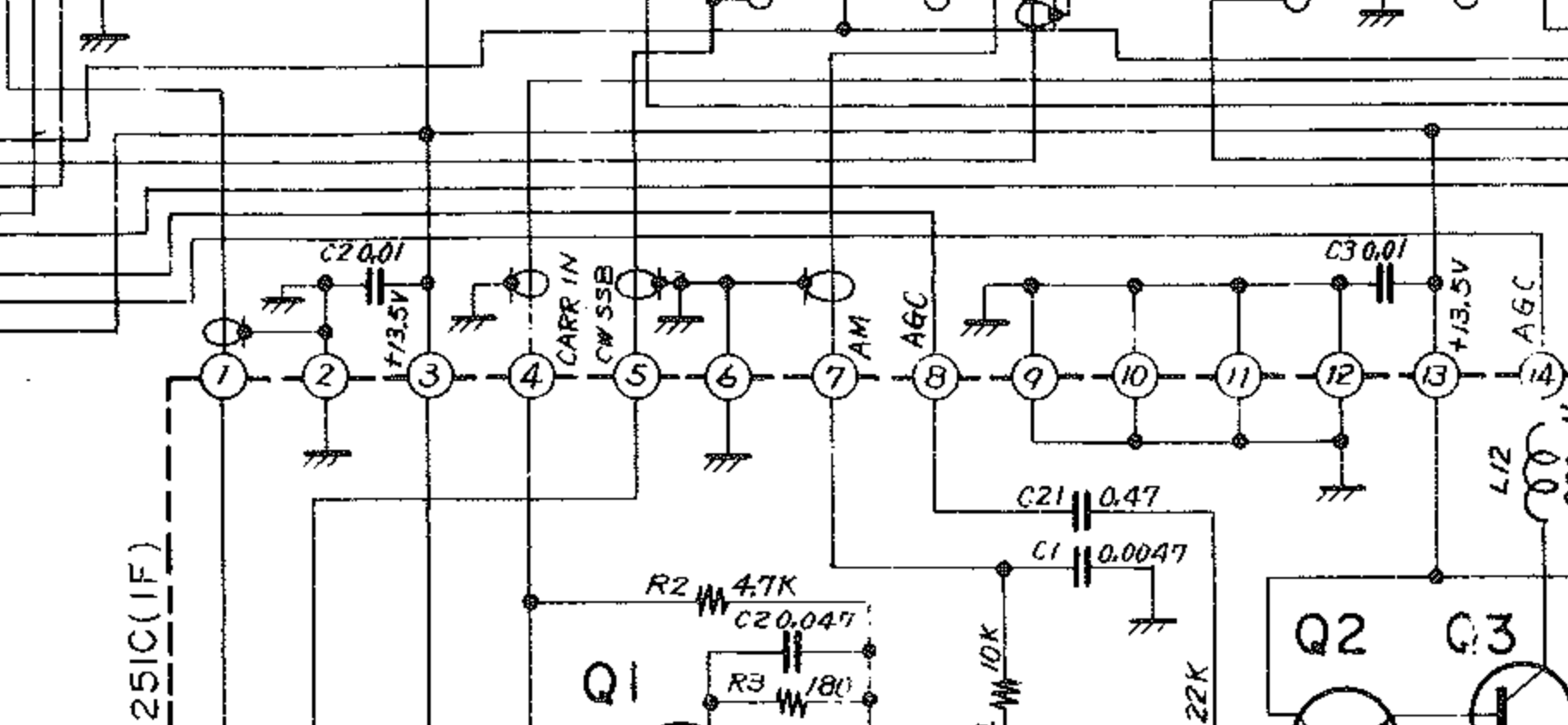
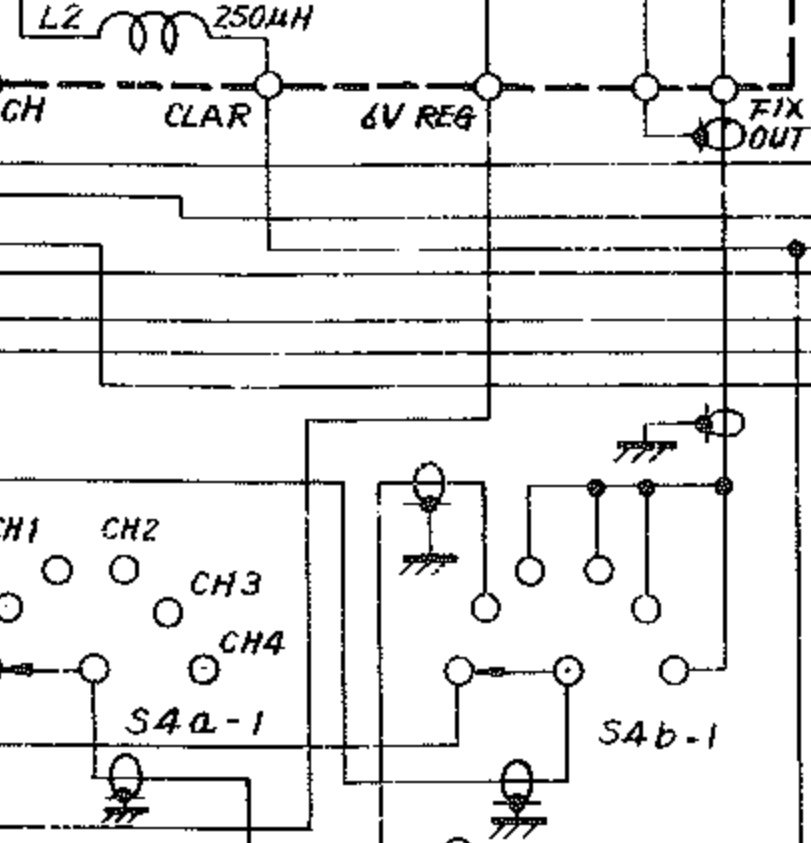
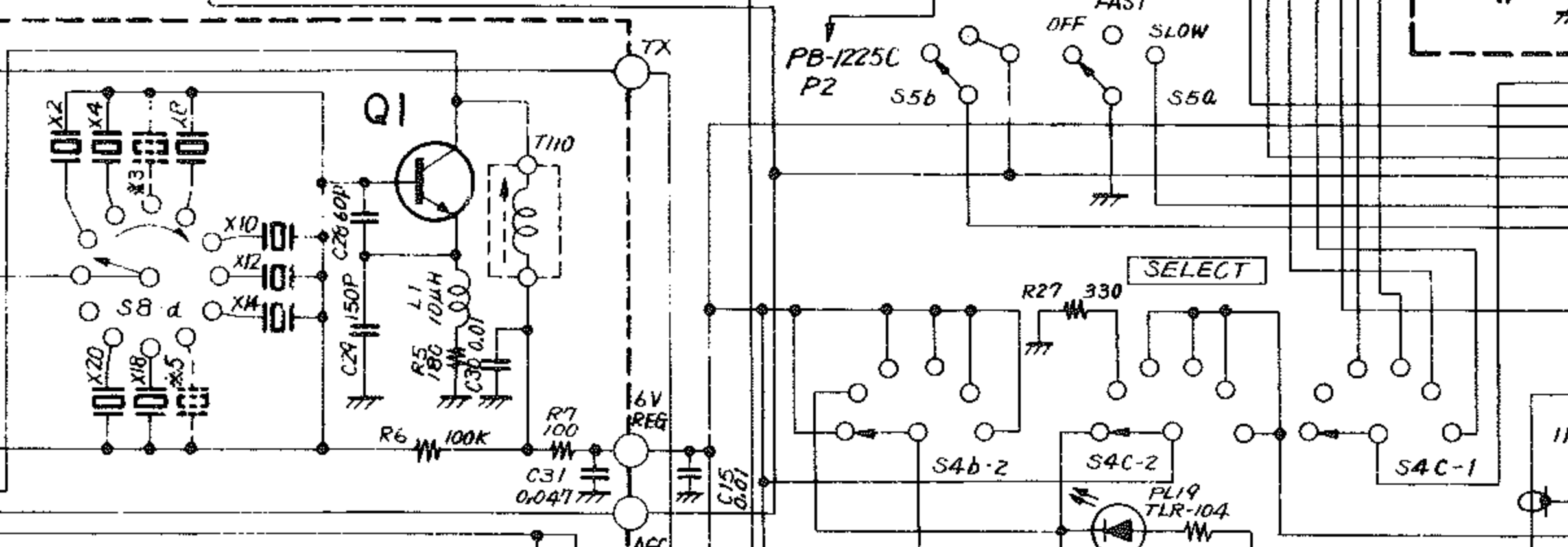
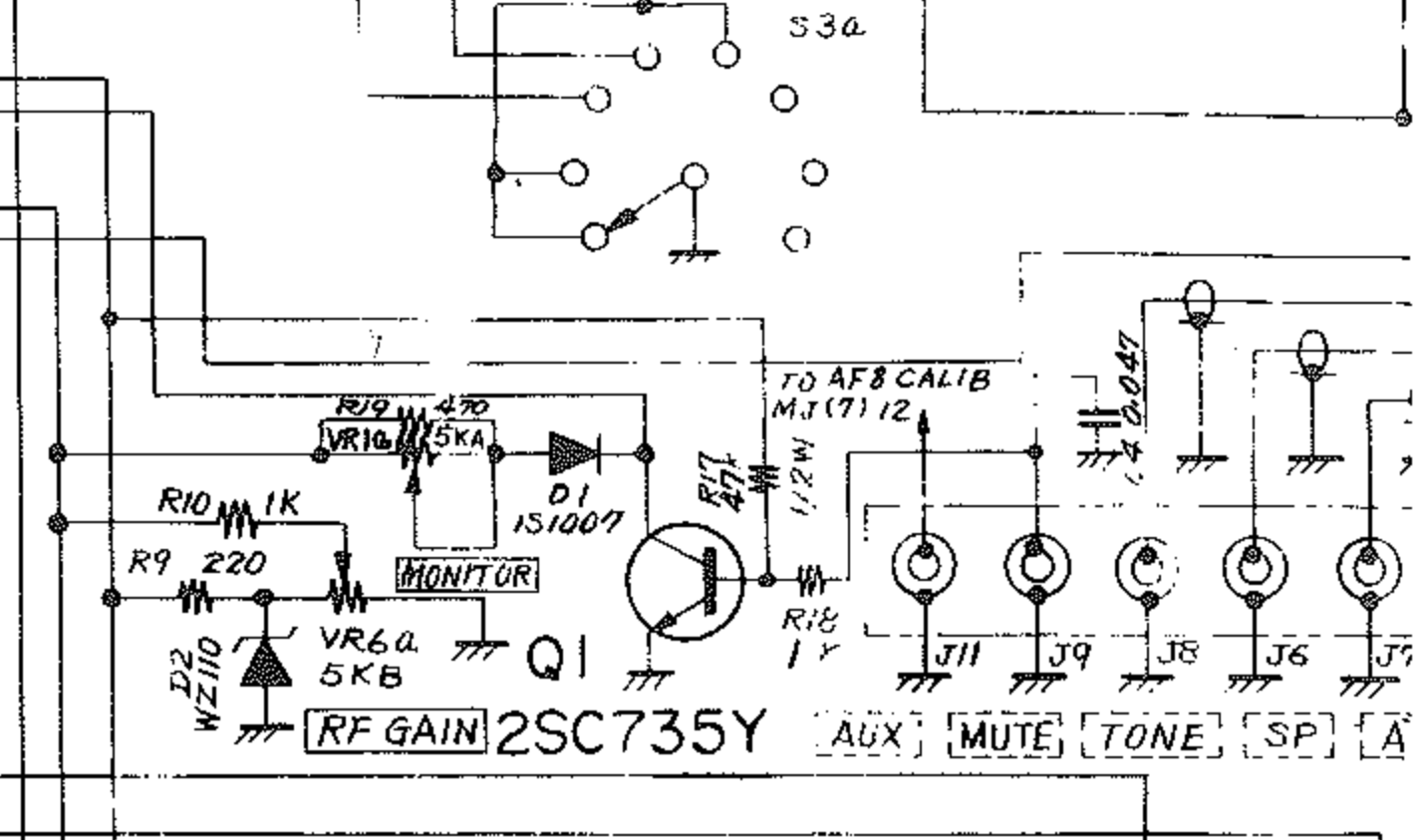
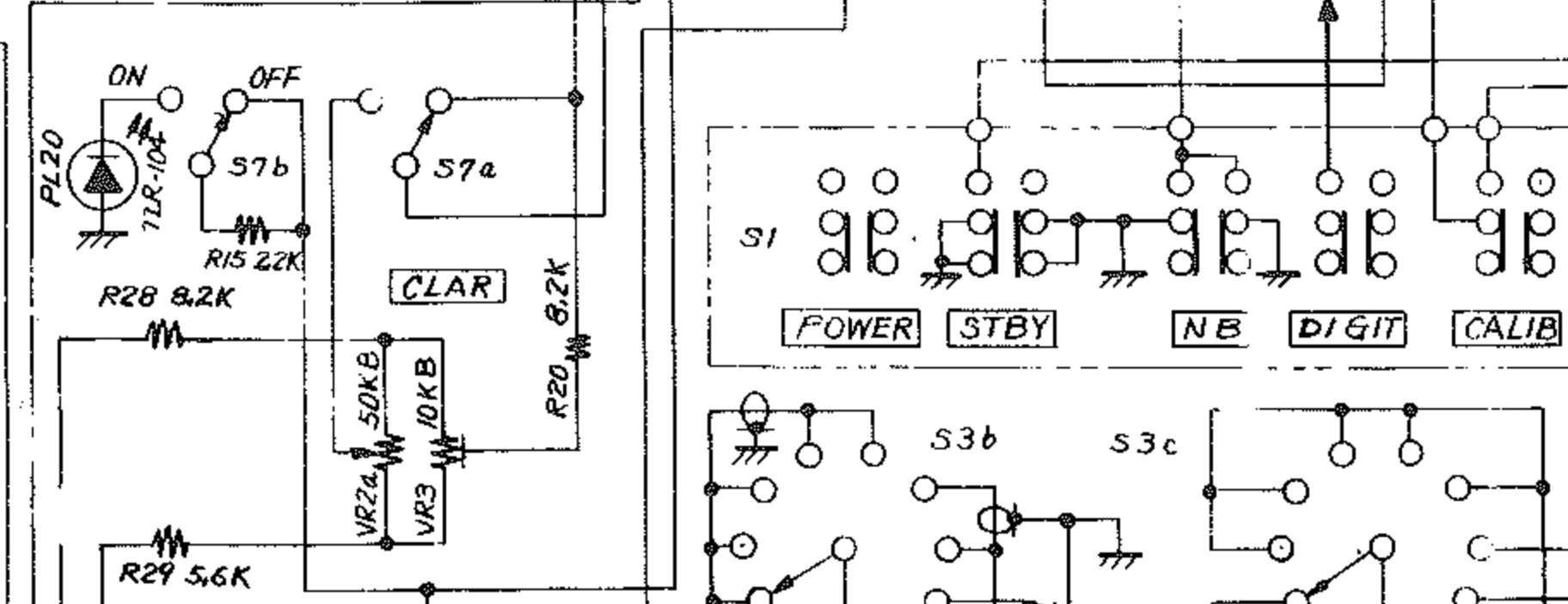
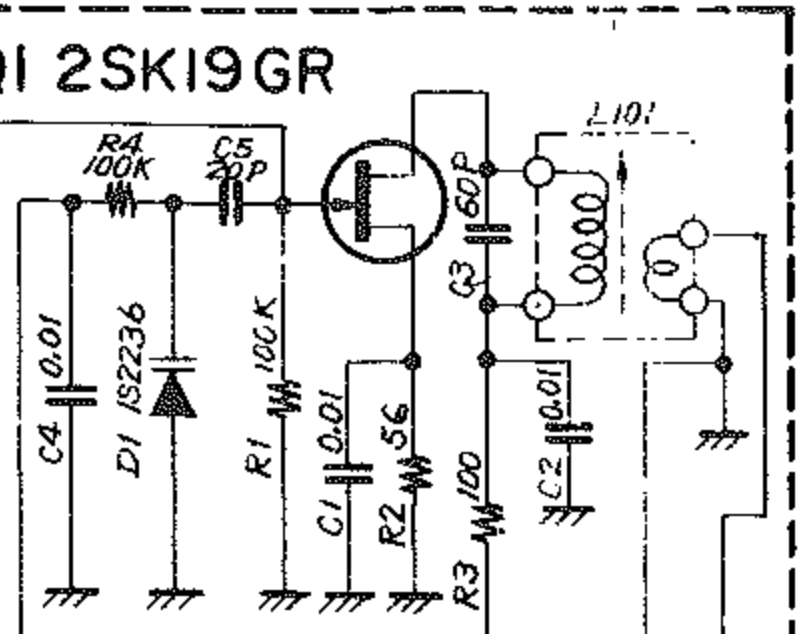


D1 ~ D6 1S100FM

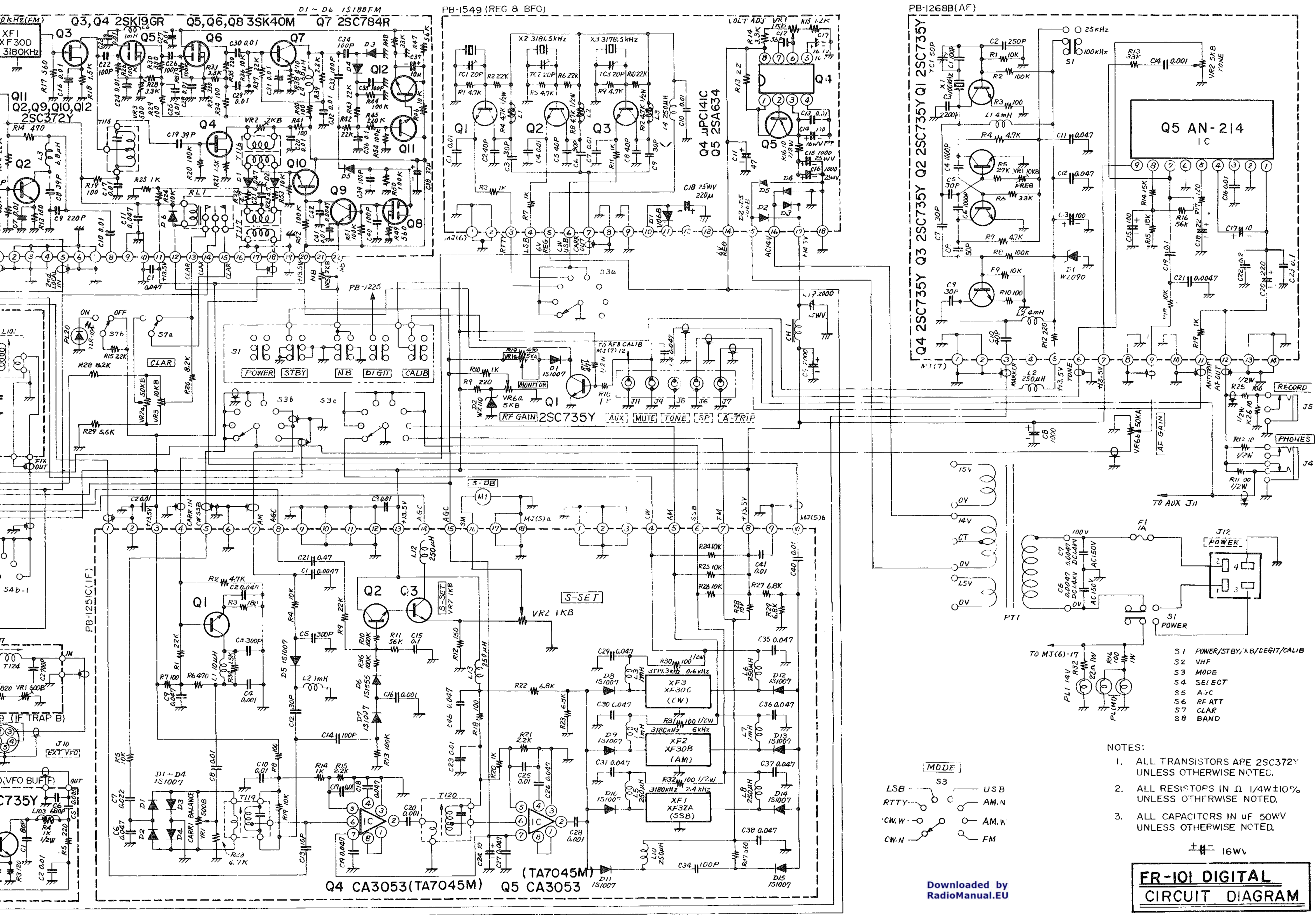
PB-1549 (REG & BFO)



PB-131I (FIX)



Q4 CA3053(TA7045M) Q5 CA3053



Q5 AN-214 IC

Q4 2SC735Y Q3 2SC735Y Q2 2SC735Y Q1 2SC735Y

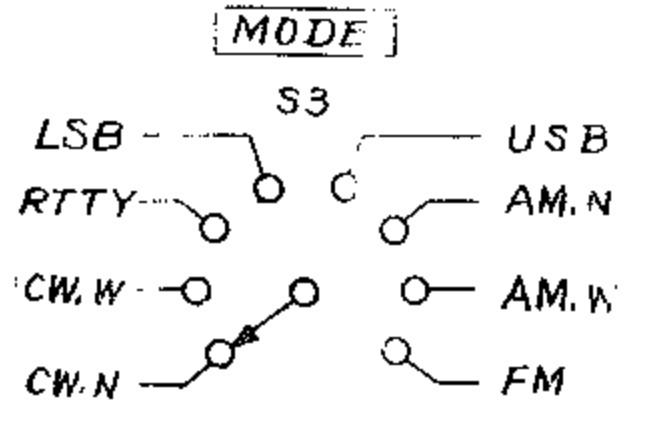
PB-1549 (REG & BFO)

PB-1268B(AF)

D1 ~ D6 1S188FM

Q4 CA3053(TA7045M) Q5 CA3053

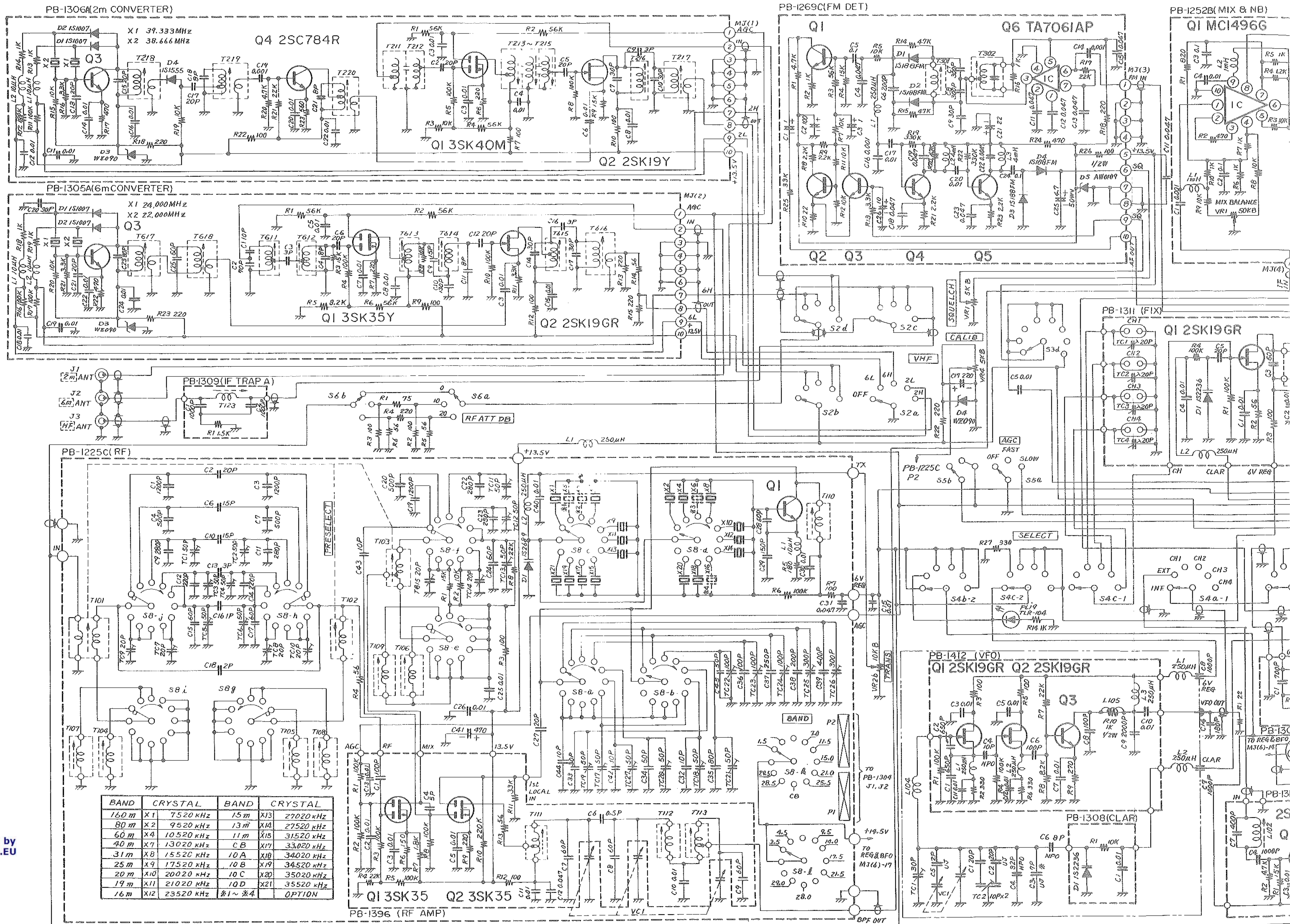
- NOTES:
1. ALL TRANSISTORS ARE 2SC732Y UNLESS OTHERWISE NOTED.
  2. ALL RESISTORS IN  $\Omega$  1/4W $\pm$ 10% UNLESS OTHERWISE NOTED.
  3. ALL CAPACITORS IN  $\mu$ F 50WV UNLESS OTHERWISE NOTED.



FR-101 DIGITAL  
CIRCUIT DIAGRAM

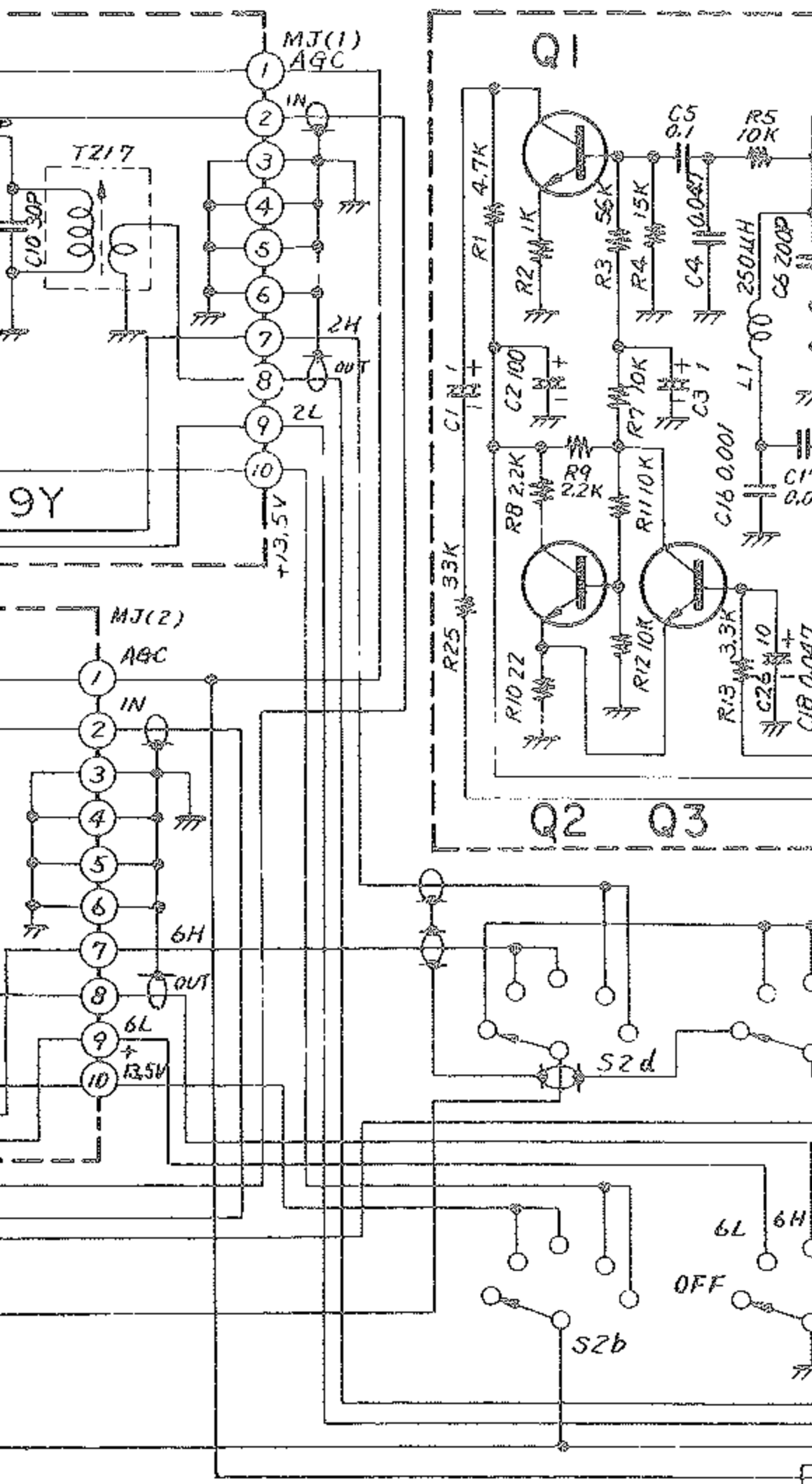
Downloaded by  
RadioManual.EU

$\pm$  16WV

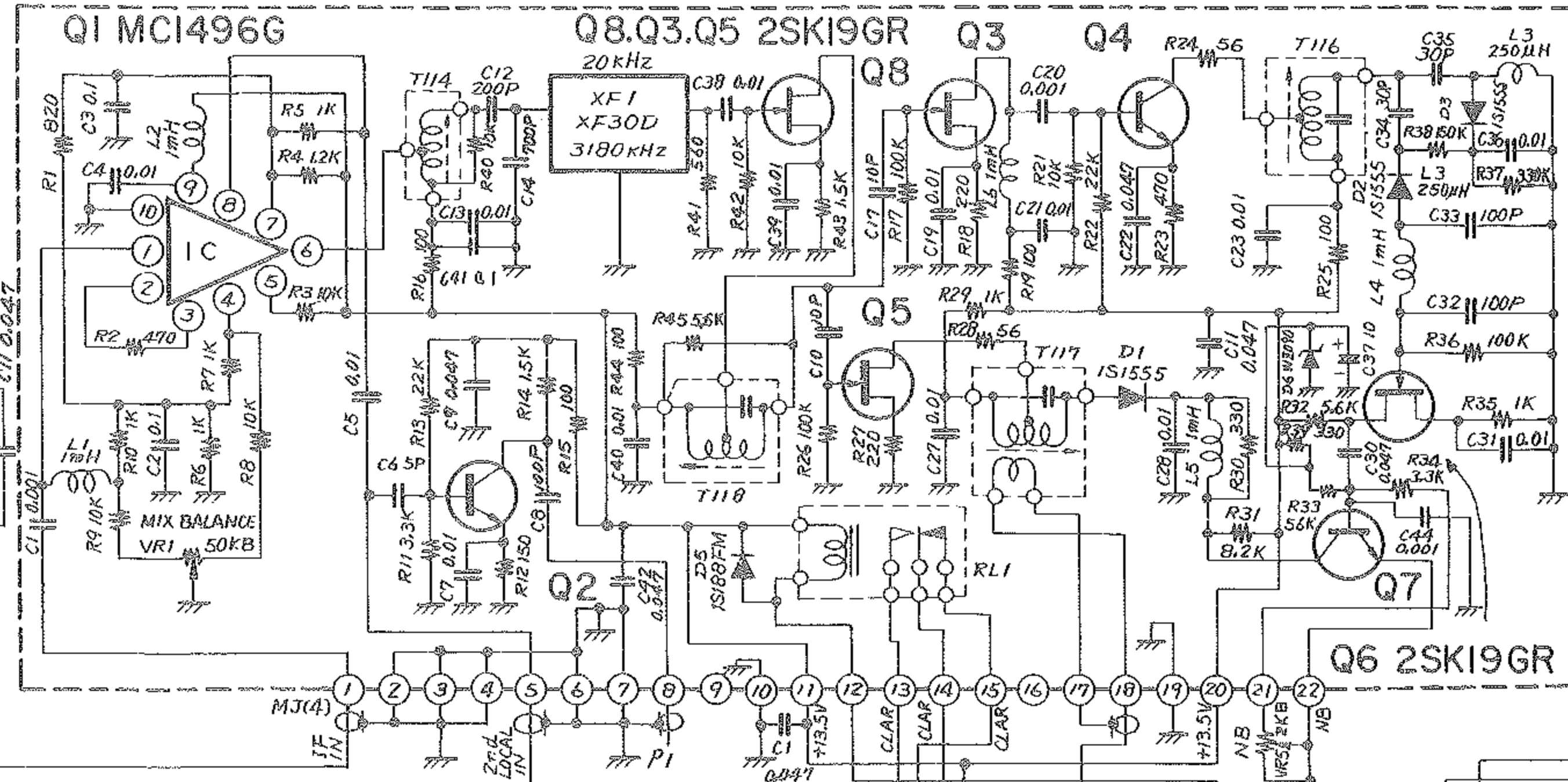


BAND	CRYSTAL	BAND	CRYSTAL
160 m	X1 7520 kHz	15 m	X13 27020 kHz
80 m	X2 9520 kHz	13 m	X14 27520 kHz
60 m	X4 10520 kHz	11 m	X15 31520 kHz
40 m	X7 13020 kHz	CB	X17 33,020 kHz
31 m	X8 15520 kHz	10 A	X18 34020 kHz
25 m	X9 17520 kHz	10 B	X19 34520 kHz
20 m	X10 20020 kHz	10 C	X20 35020 kHz
19 m	X11 21020 kHz	10 D	X21 35520 kHz
16 m	X12 23520 kHz	*1 ~ *4	OPTION

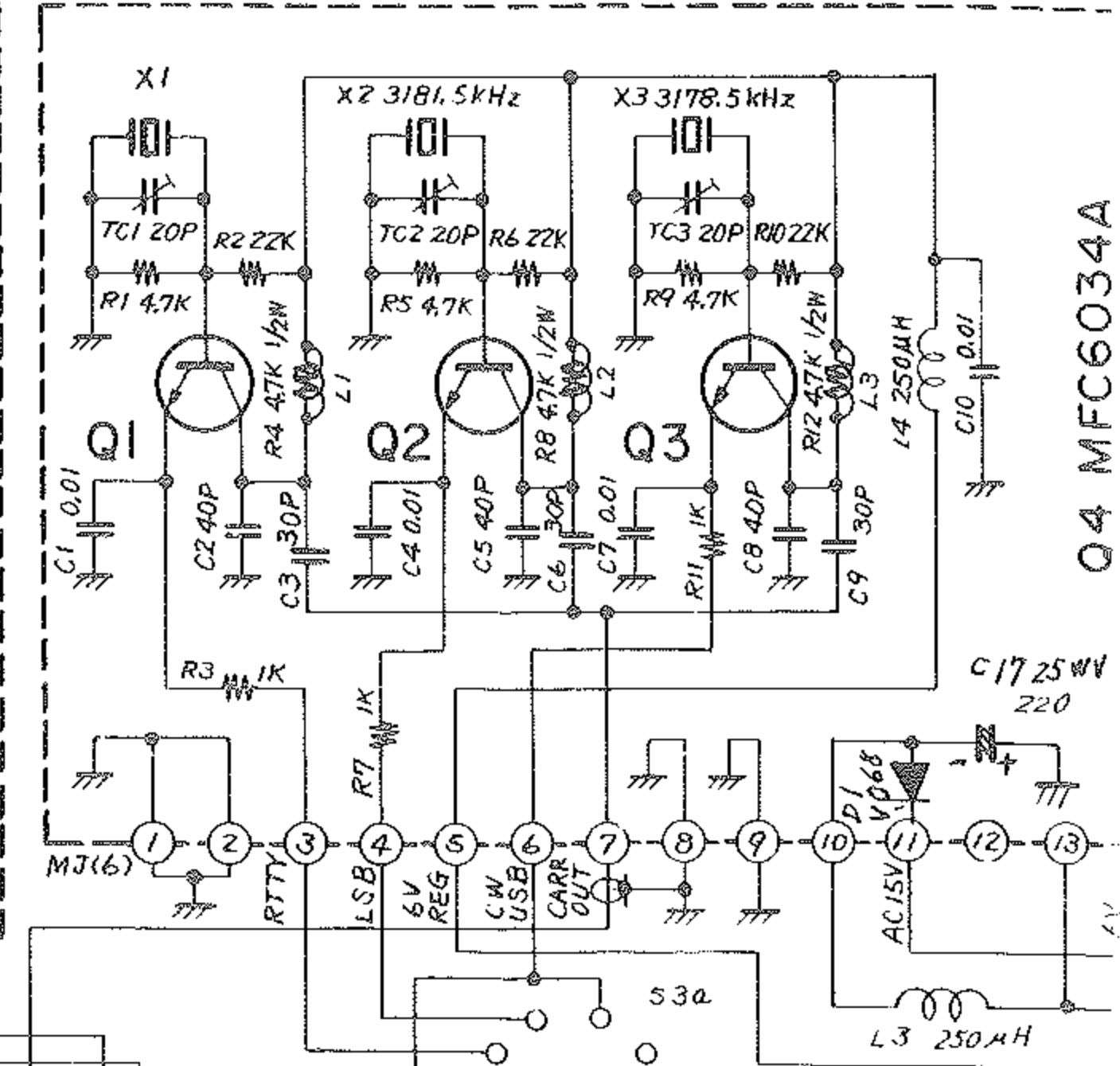
PB-1269C(FM DET)



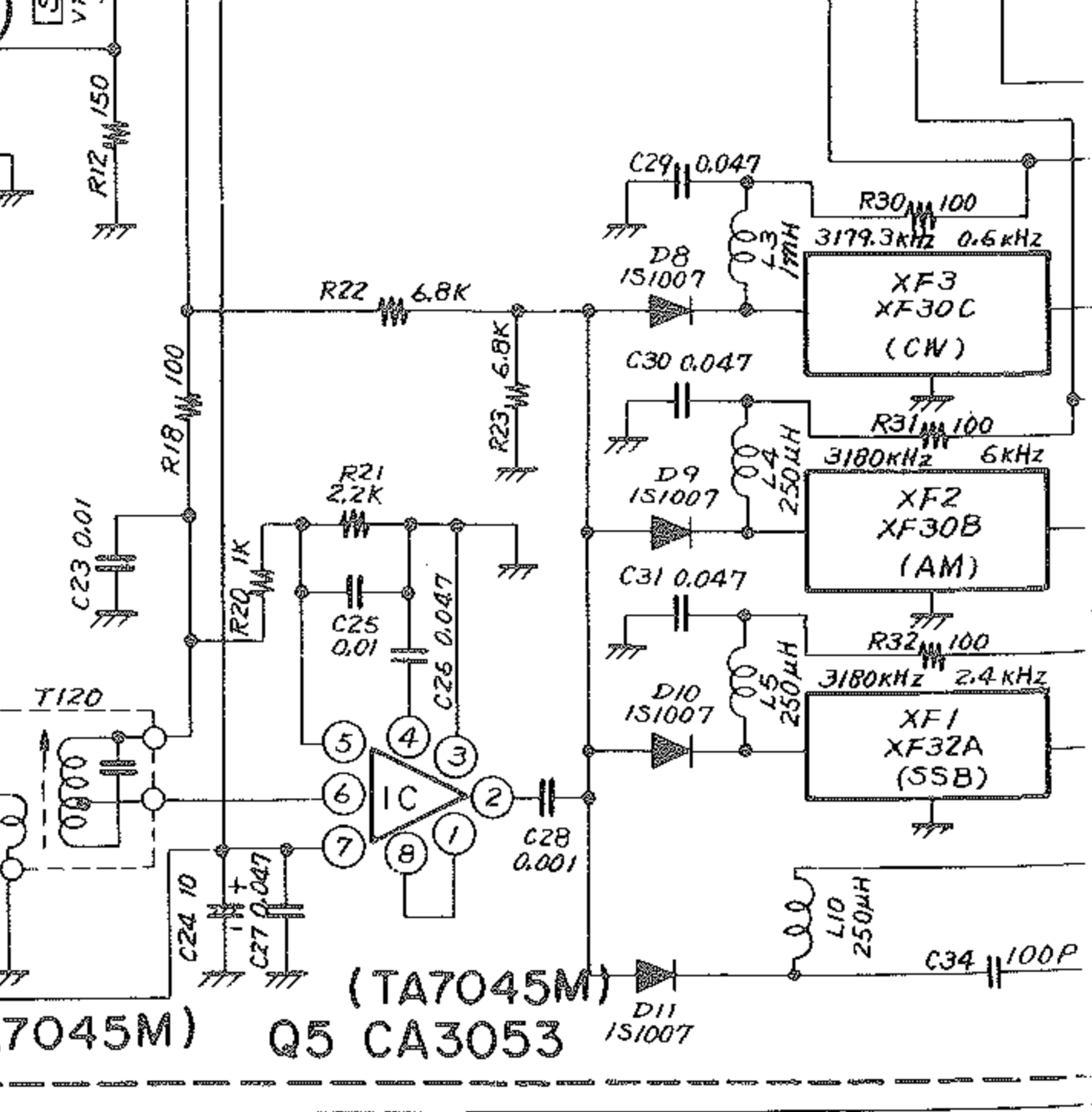
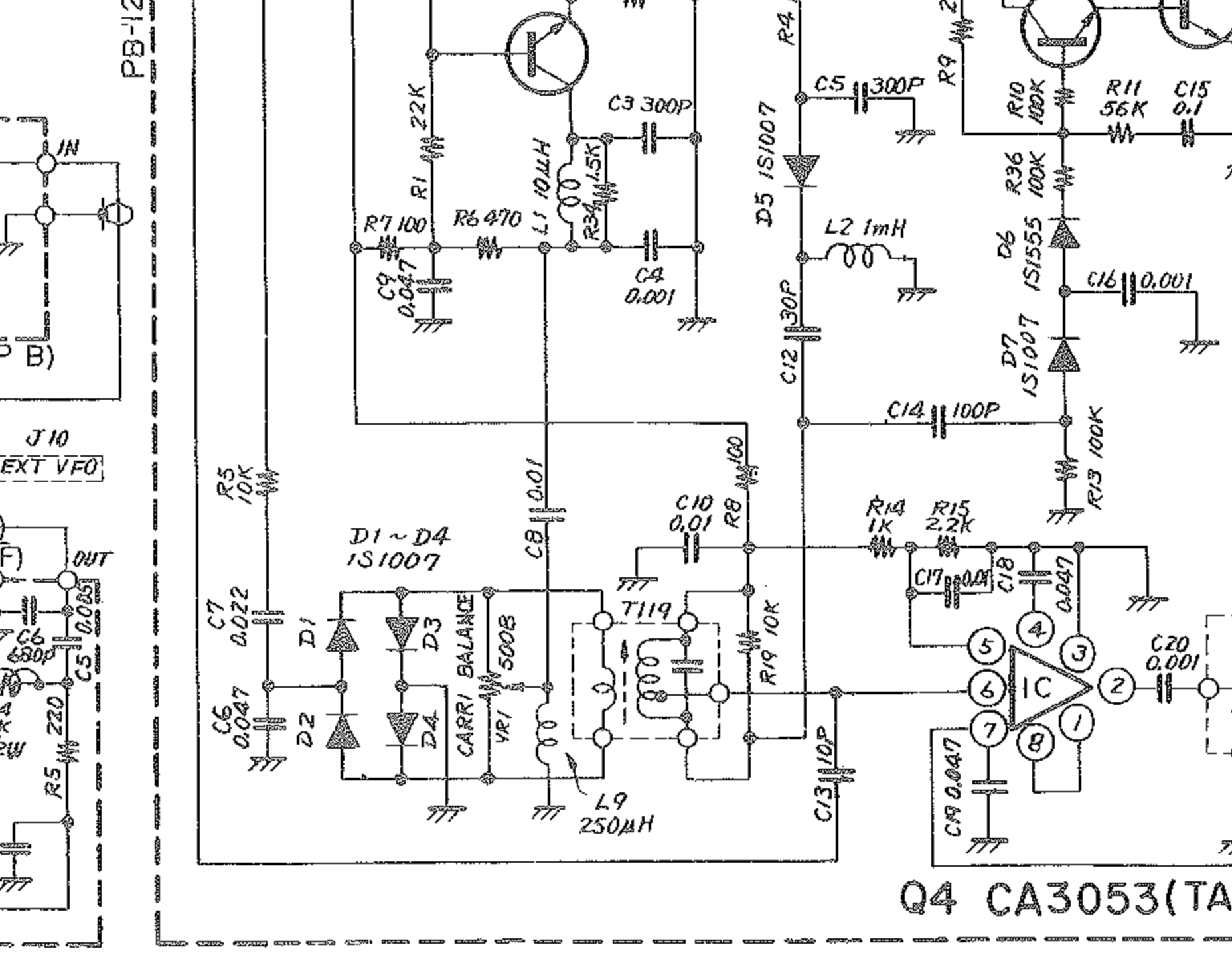
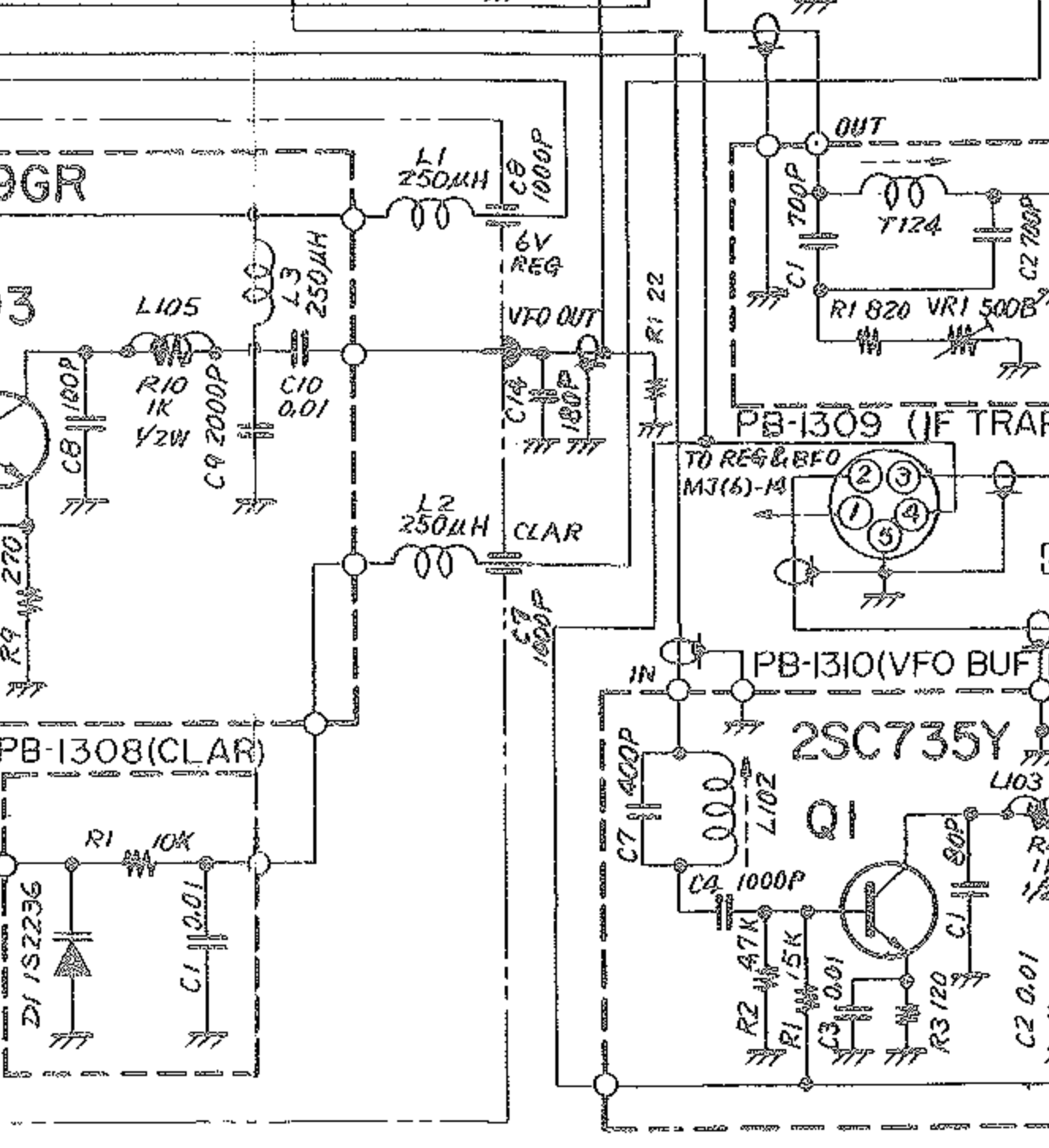
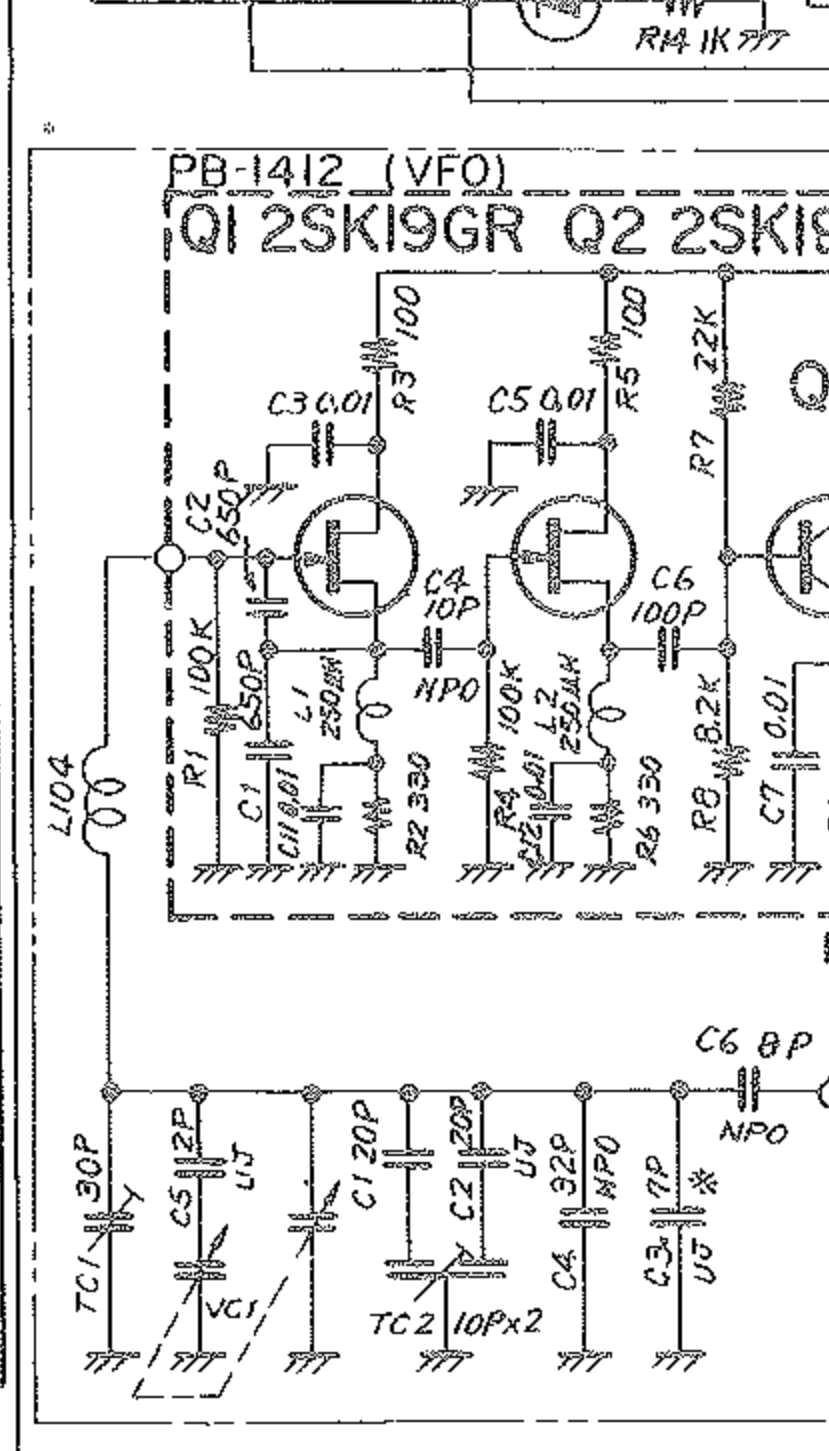
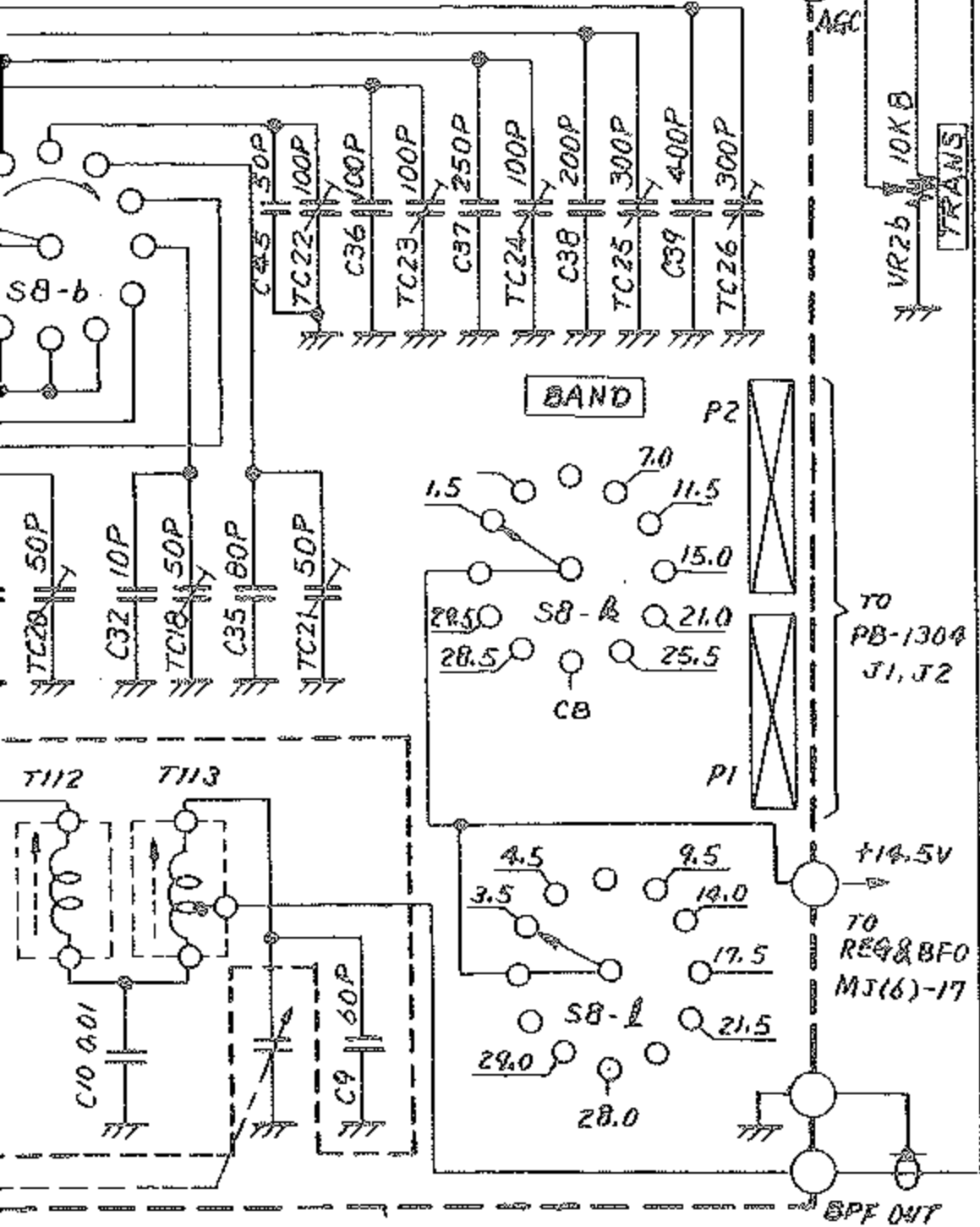
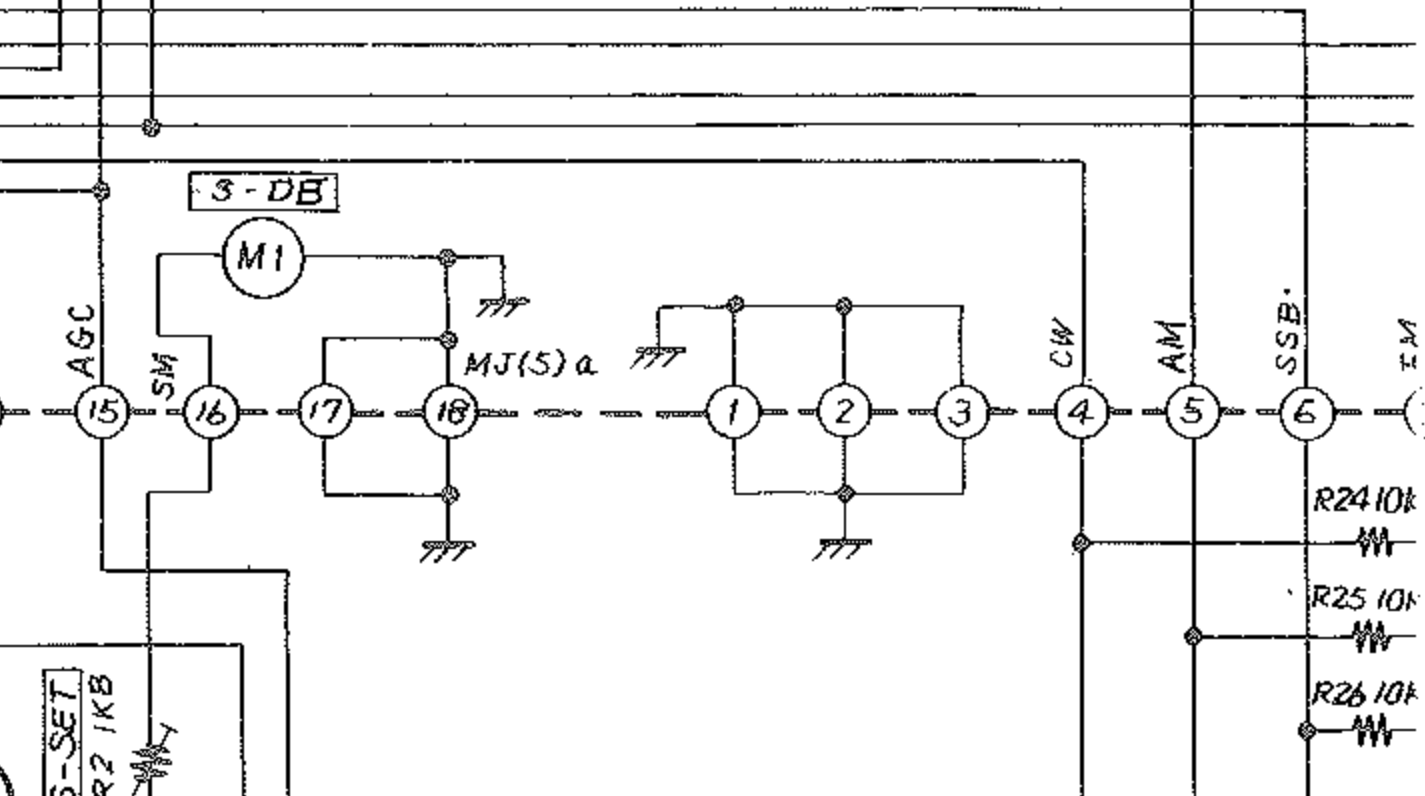
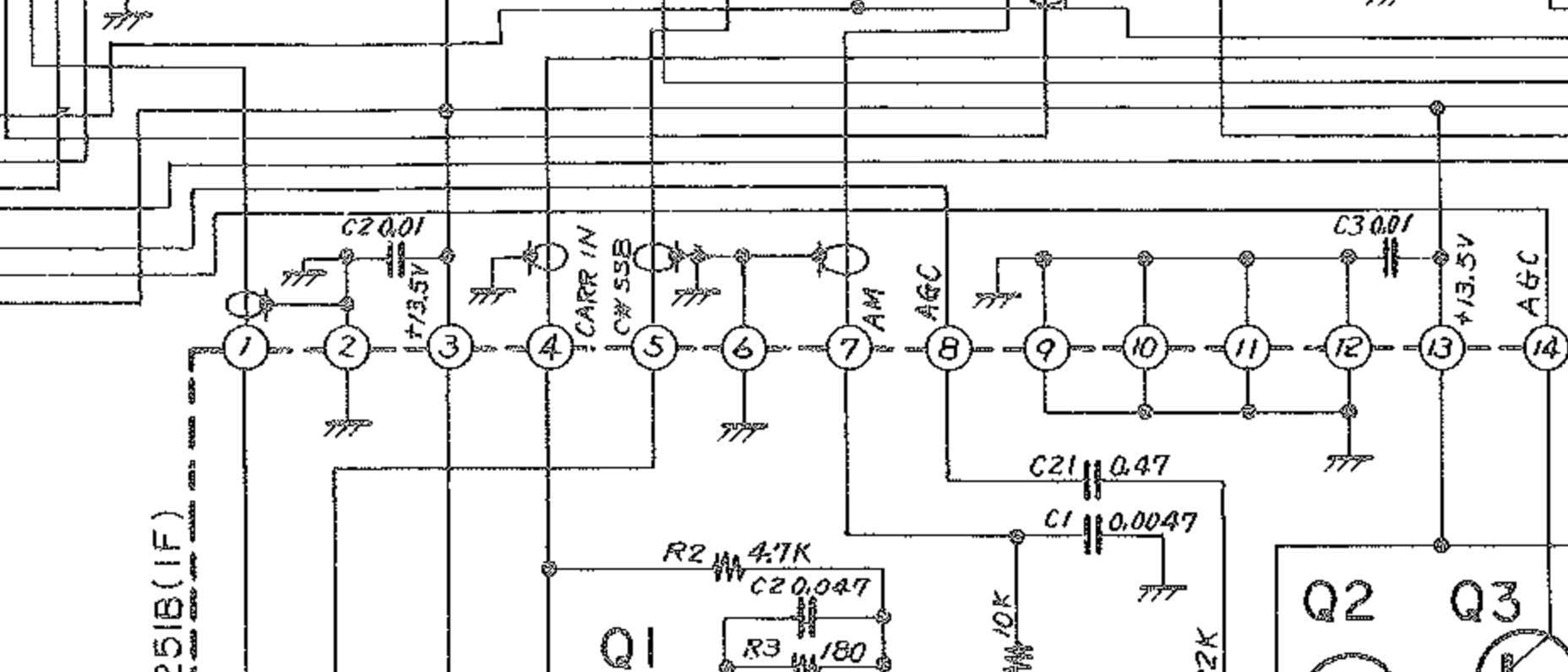
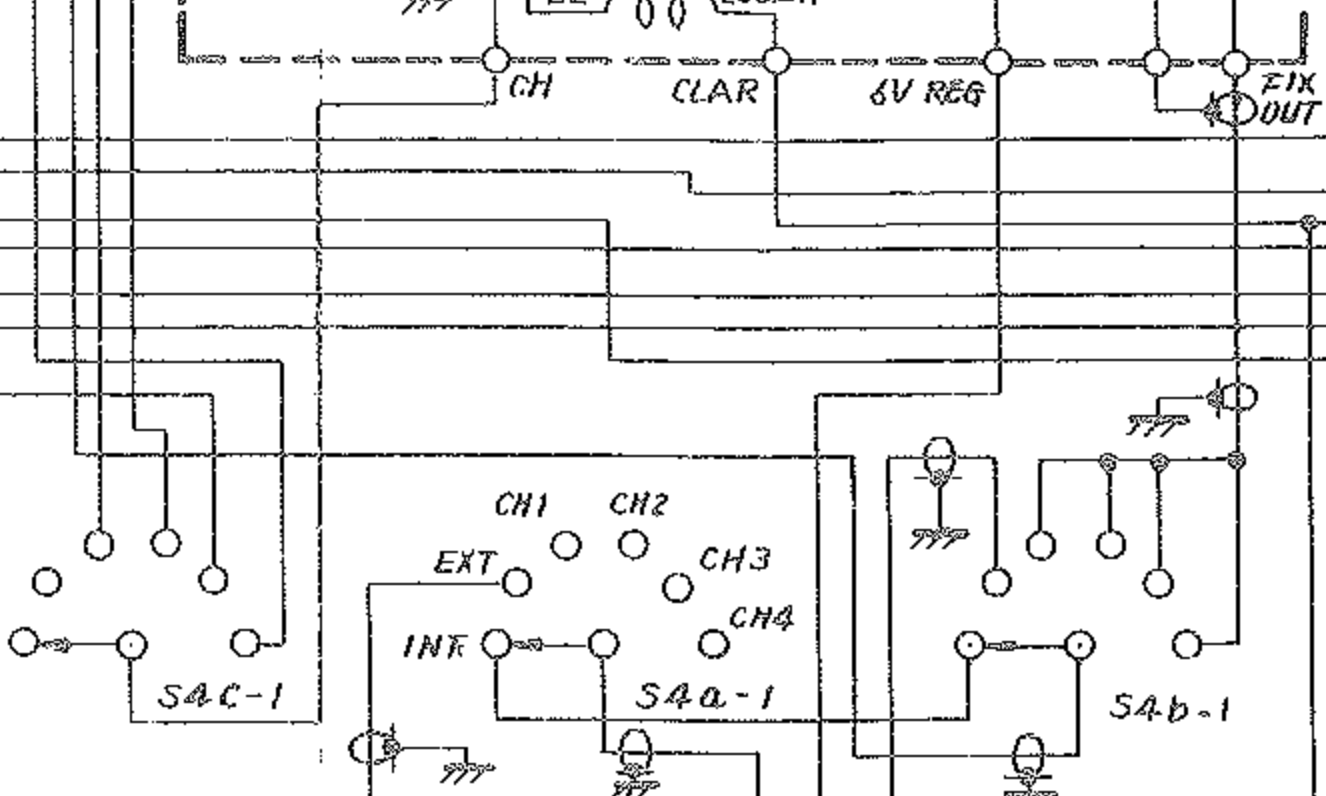
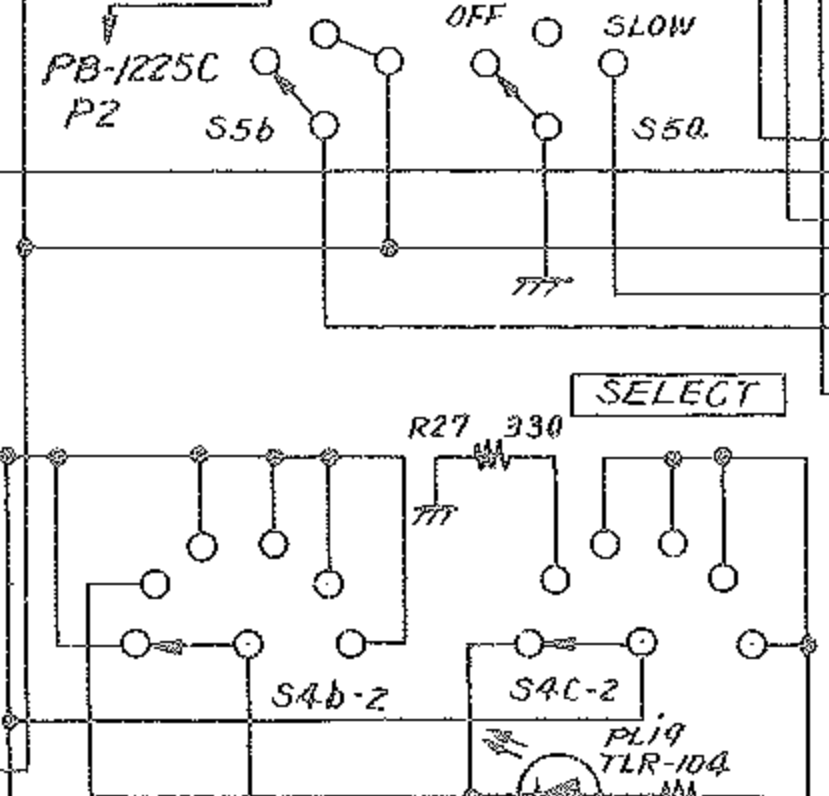
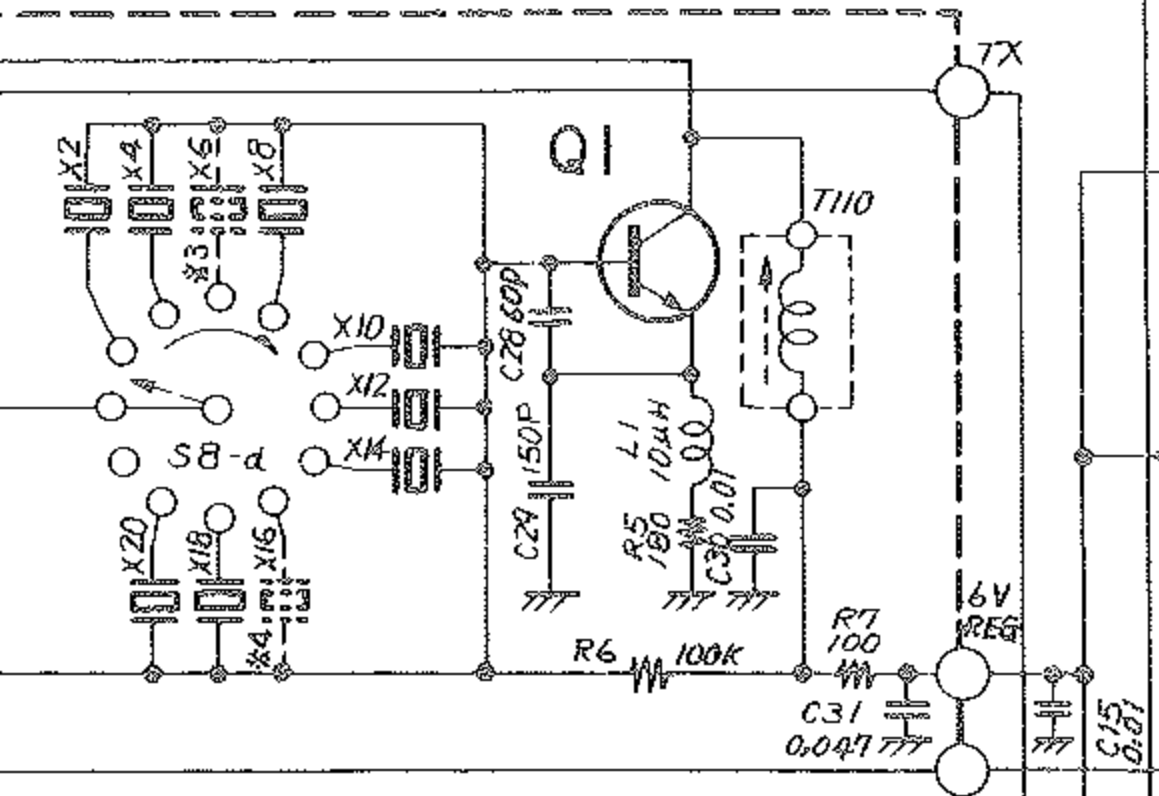
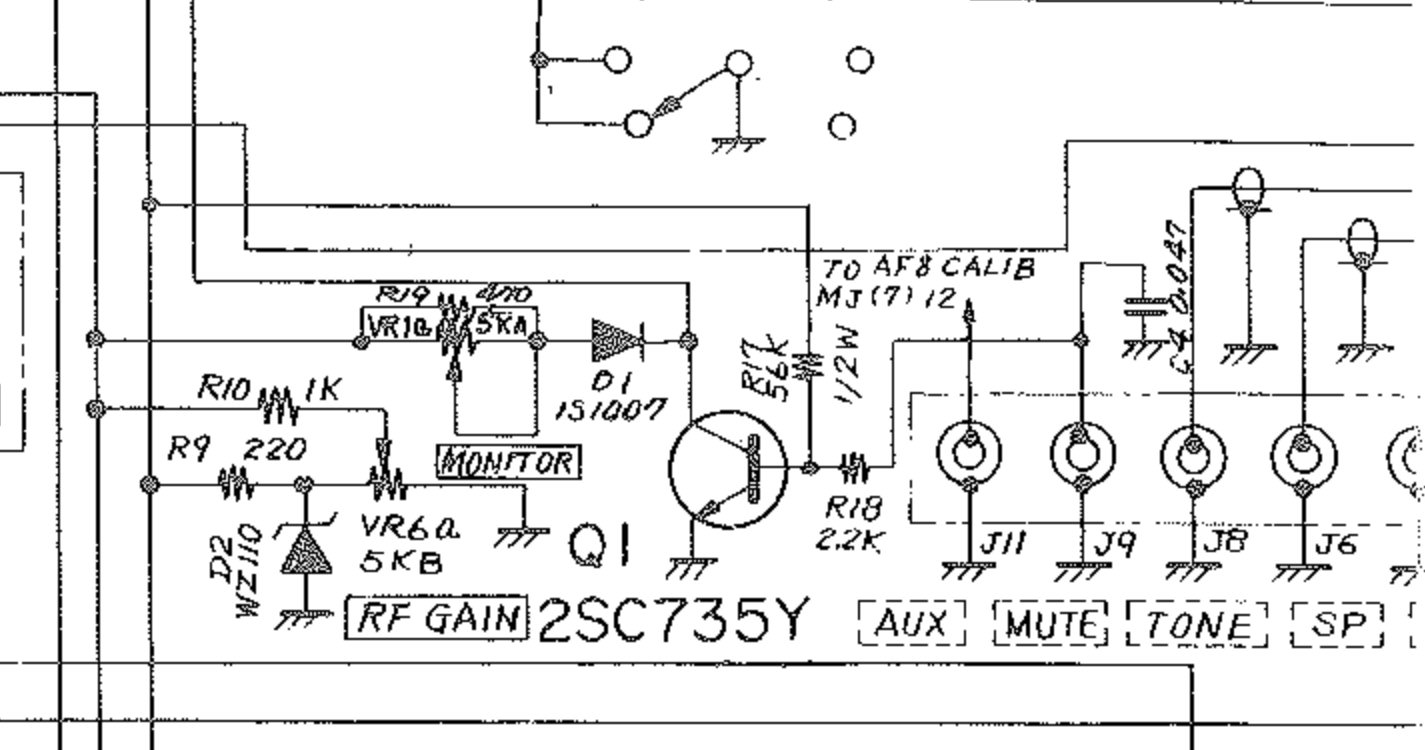
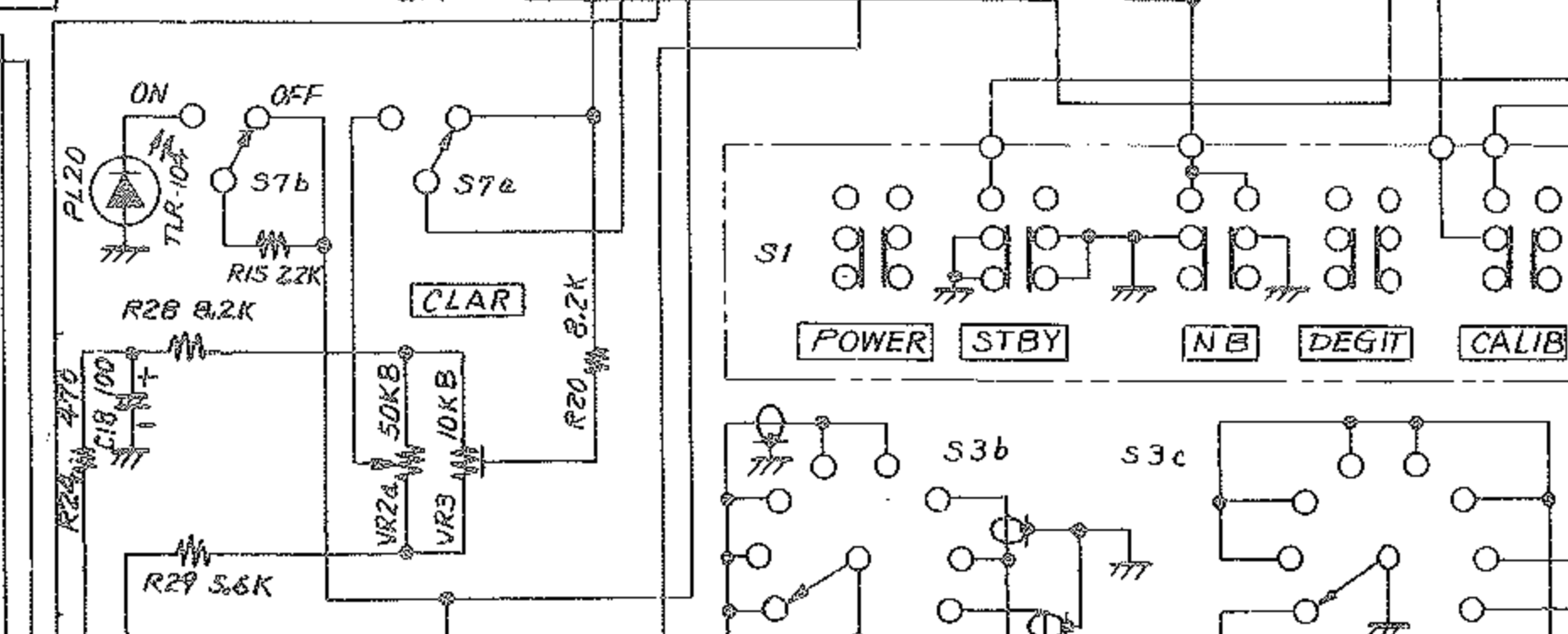
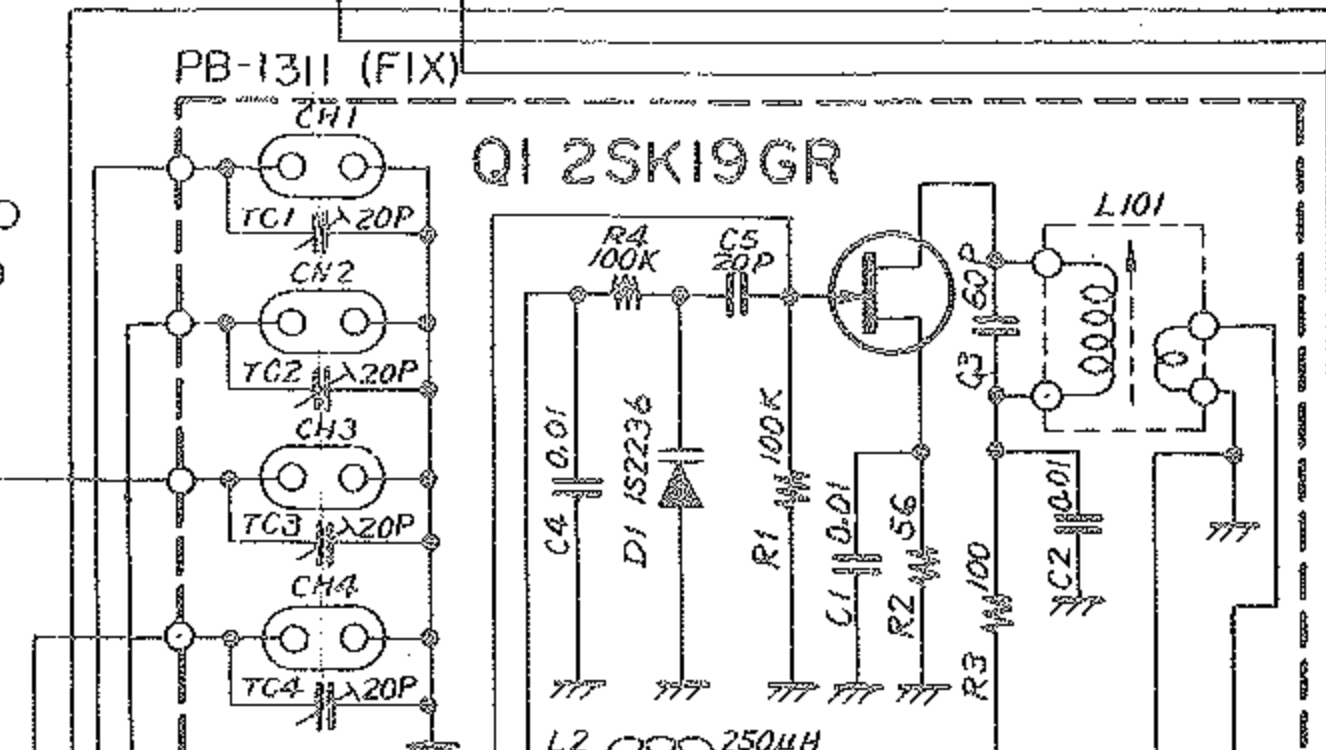
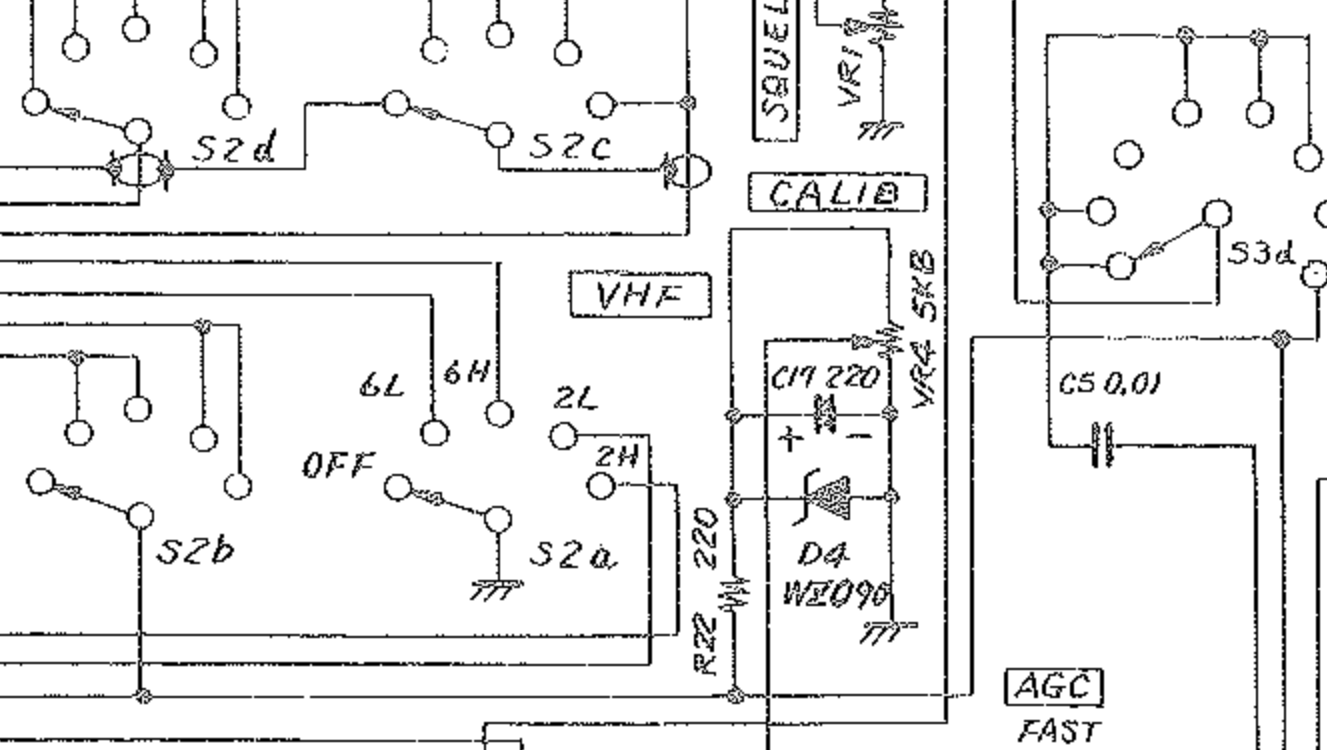
PB-1252B(MIX & NB)



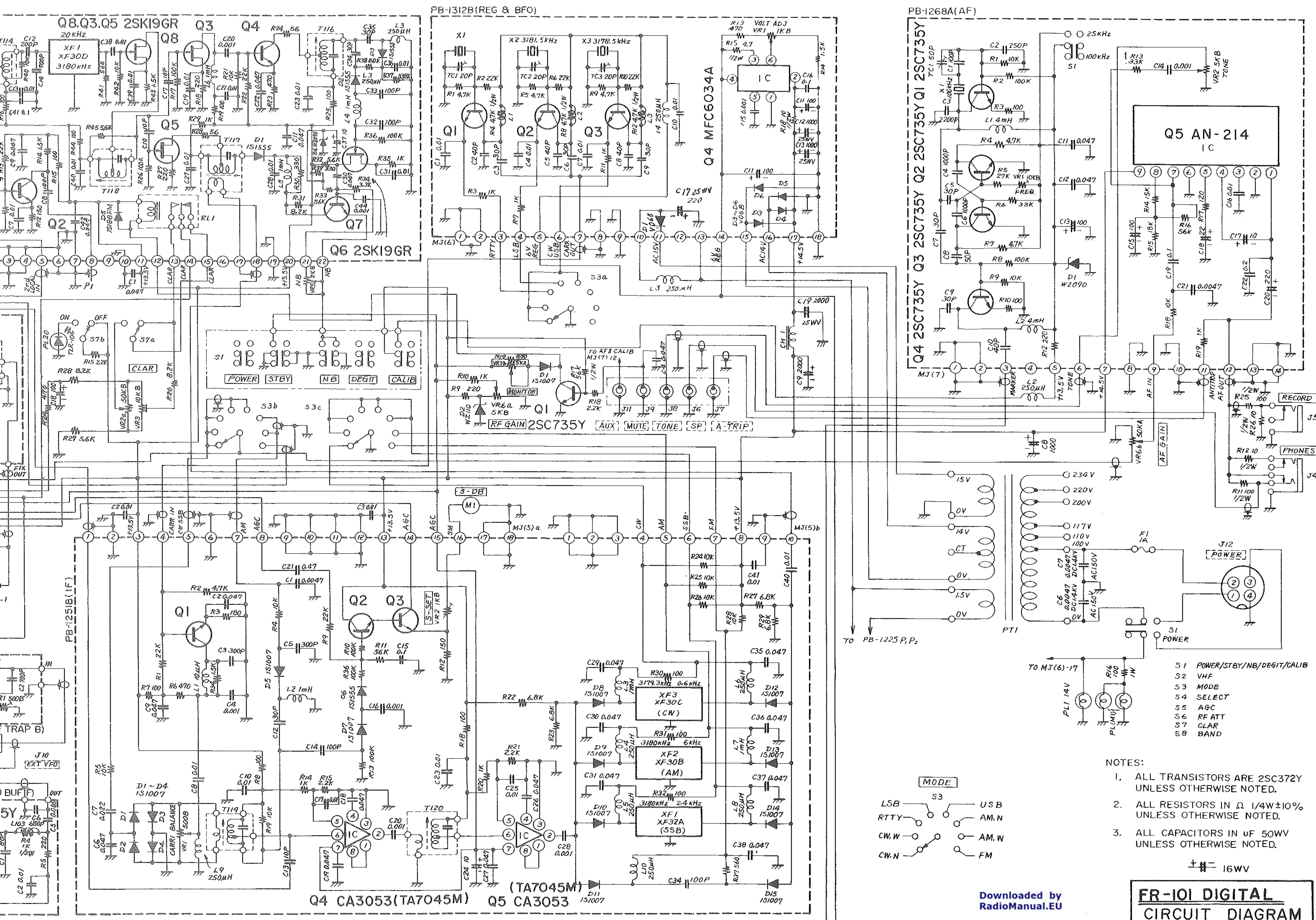
PB-1312B(REG & BFO)



Q4 MFC6034A



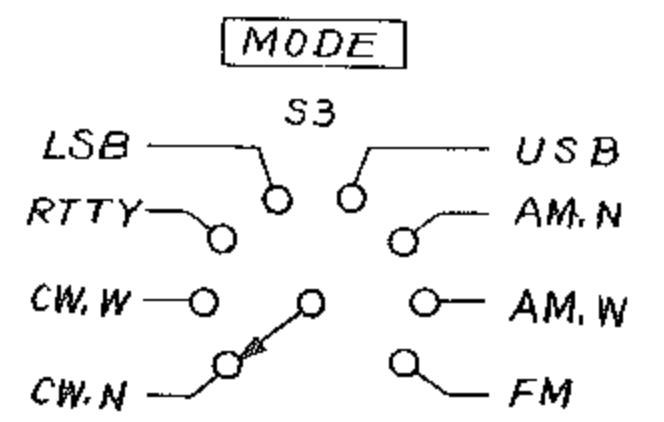
Q4 CA3053(TA7045M) Q5 CA3053 (TA7045M)



- S1 POWER/STBY/NB/DEGIT/CALIB
- S2 VHF
- S3 MODE
- S4 SELECT
- S5 AGC
- S6 RF ATT
- S7 CLAR
- S8 BAND

- NOTES:
1. ALL TRANSISTORS ARE 2SC372Y UNLESS OTHERWISE NOTED.
  2. ALL RESISTORS IN  $\Omega$   $1/4W \pm 10\%$  UNLESS OTHERWISE NOTED.
  3. ALL CAPACITORS IN  $\mu F$  50WV UNLESS OTHERWISE NOTED.

$\pm 16WV$



Downloaded by  
RadioManual.EU

**FR-101 DIGITAL  
CIRCUIT DIAGRAM**