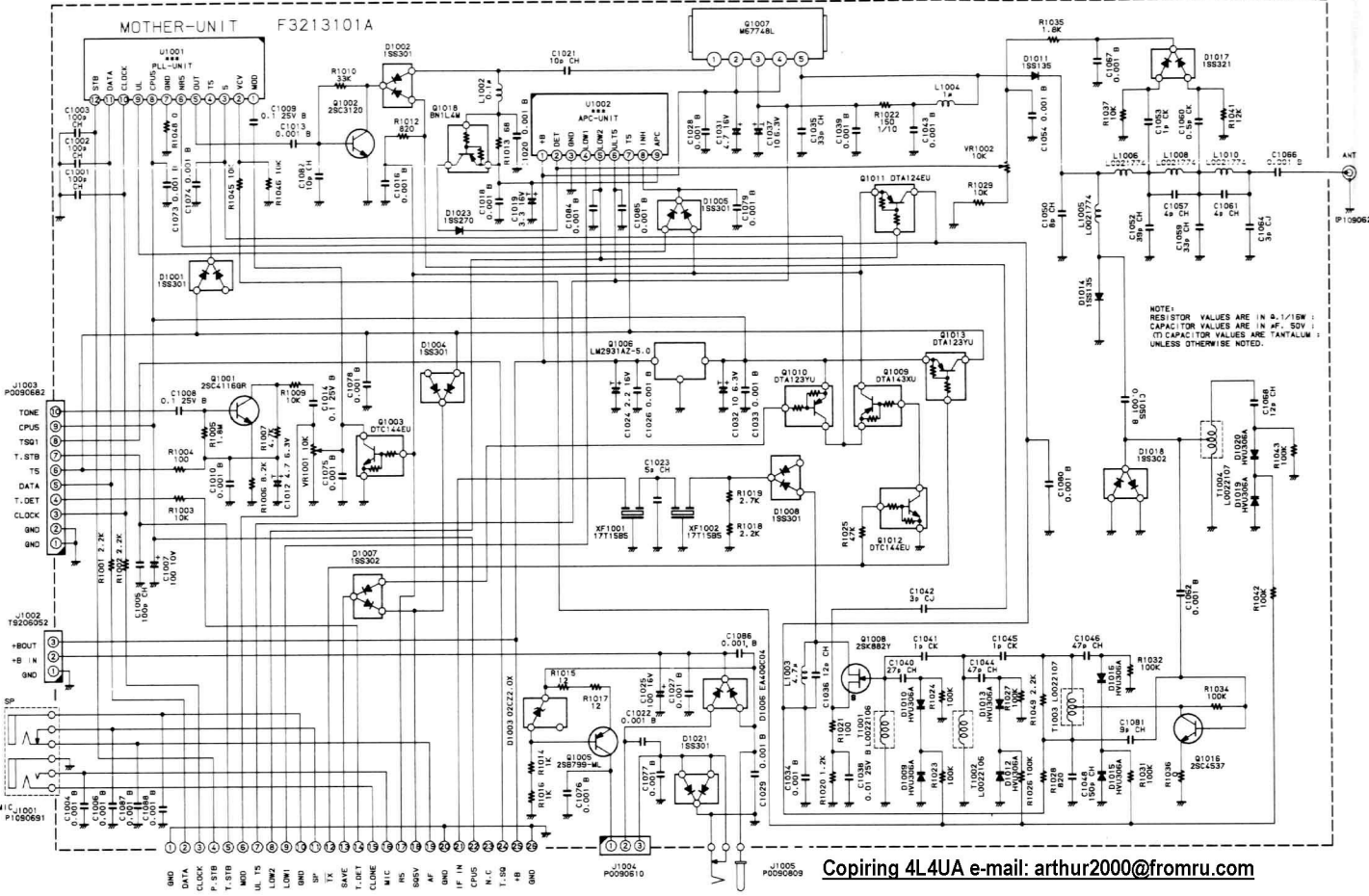




MOTHER-UNIT F3213101A

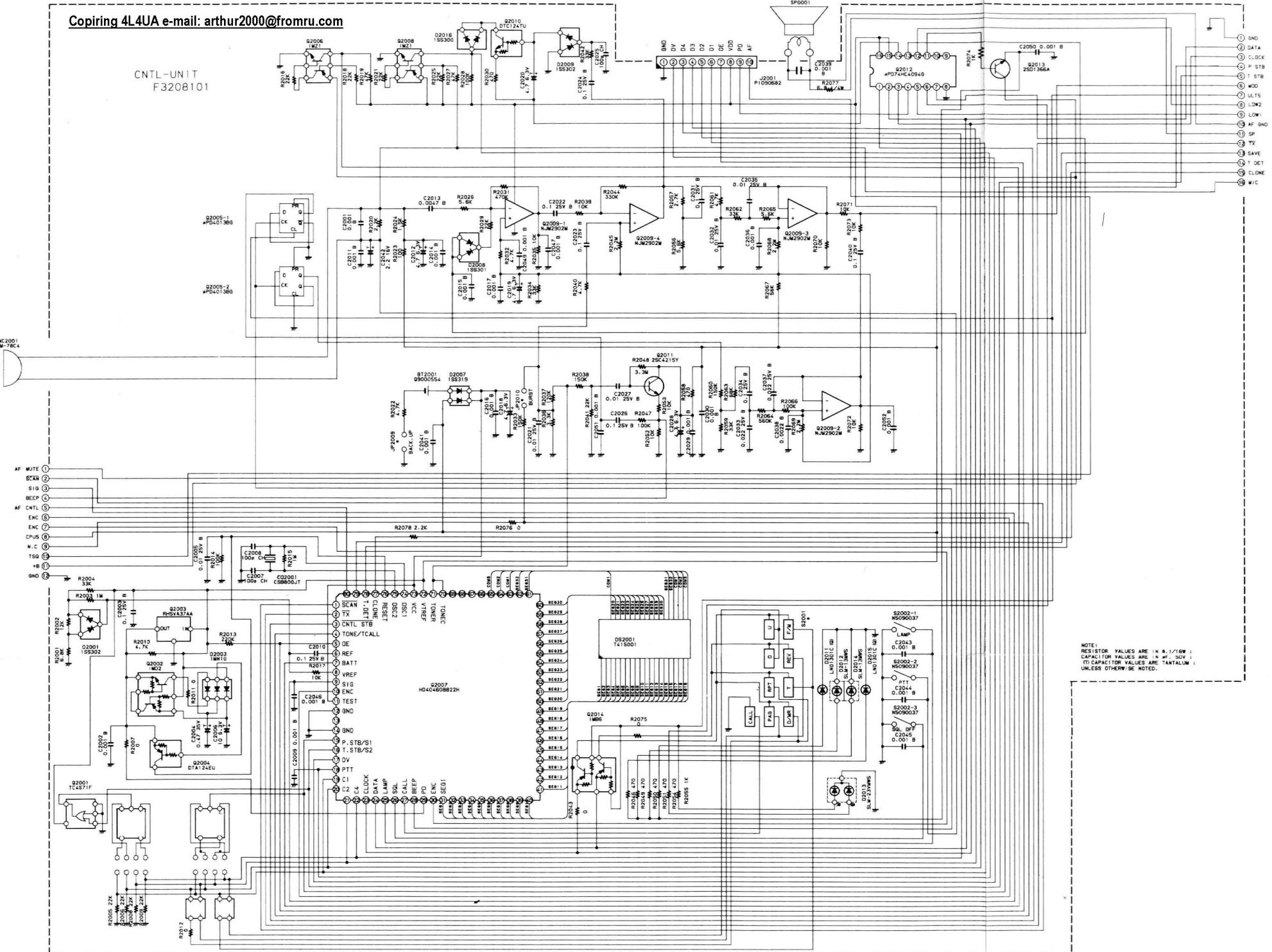


NOTE:  
RESISTOR VALUES ARE IN Ω, 1/10W  
CAPACITOR VALUES ARE IN pF, 50V  
IF CAPACITOR VALUES ARE TANTALUM  
UNLESS OTHERWISE NOTED.

- J1001 P180661
- J1002 TS309952
- J1004 P090910
- J1005 P090909
- J1006 P090910
- J1007 P180662
- J1008 P180663
- J1009 P180664
- J1010 P180665
- J1011 P180666
- J1012 P180667
- J1013 P180668
- J1014 P180669
- J1015 P180670
- J1016 P180671
- J1017 P180672
- J1018 P180673
- J1019 P180674
- J1020 P180675
- J1021 P180676
- J1022 P180677
- J1023 P180678
- J1024 P180679
- J1025 P180680
- J1026 P180681
- J1027 P180682
- J1028 P180683
- J1029 P180684
- J1030 P180685
- J1031 P180686
- J1032 P180687
- J1033 P180688
- J1034 P180689
- J1035 P180690
- J1036 P180691
- J1037 P180692
- J1038 P180693
- J1039 P180694
- J1040 P180695
- J1041 P180696
- J1042 P180697
- J1043 P180698
- J1044 P180699
- J1045 P180700
- J1046 P180701
- J1047 P180702
- J1048 P180703
- J1049 P180704
- J1050 P180705
- J1051 P180706
- J1052 P180707
- J1053 P180708
- J1054 P180709
- J1055 P180710
- J1056 P180711
- J1057 P180712
- J1058 P180713
- J1059 P180714
- J1060 P180715
- J1061 P180716
- J1062 P180717
- J1063 P180718
- J1064 P180719
- J1065 P180720
- J1066 P180721
- J1067 P180722
- J1068 P180723
- J1069 P180724
- J1070 P180725
- J1071 P180726
- J1072 P180727
- J1073 P180728
- J1074 P180729
- J1075 P180730
- J1076 P180731
- J1077 P180732
- J1078 P180733
- J1079 P180734
- J1080 P180735
- J1081 P180736
- J1082 P180737
- J1083 P180738
- J1084 P180739
- J1085 P180740
- J1086 P180741
- J1087 P180742
- J1088 P180743
- J1089 P180744
- J1090 P180745
- J1091 P180746
- J1092 P180747
- J1093 P180748
- J1094 P180749
- J1095 P180750
- J1096 P180751
- J1097 P180752
- J1098 P180753
- J1099 P180754
- J1100 P180755
- J1101 P180756
- J1102 P180757
- J1103 P180758
- J1104 P180759
- J1105 P180760
- J1106 P180761
- J1107 P180762
- J1108 P180763
- J1109 P180764
- J1110 P180765
- J1111 P180766
- J1112 P180767
- J1113 P180768
- J1114 P180769
- J1115 P180770
- J1116 P180771
- J1117 P180772
- J1118 P180773
- J1119 P180774
- J1120 P180775
- J1121 P180776
- J1122 P180777
- J1123 P180778
- J1124 P180779
- J1125 P180780
- J1126 P180781
- J1127 P180782
- J1128 P180783
- J1129 P180784
- J1130 P180785
- J1131 P180786
- J1132 P180787
- J1133 P180788
- J1134 P180789
- J1135 P180790
- J1136 P180791
- J1137 P180792
- J1138 P180793
- J1139 P180794
- J1140 P180795
- J1141 P180796
- J1142 P180797
- J1143 P180798
- J1144 P180799
- J1145 P180800

Copiring 4L4UA e-mail: arthur2000@fromru.com

CNTL-UNIT  
F3208101



- ① GND
- ② DATA
- ③ CLOCK
- ④ P. STB
- ⑤ T. STB
- ⑥ WOO
- ⑦ ULT5
- ⑧ LDW2
- ⑨ LW1
- ⑩ AF GND
- ⑪ SP
- ⑫ TX
- ⑬ SAVE
- ⑭ T. SET
- ⑮ CLONE
- ⑯ MIC

NOTE:  
RESISTOR VALUES ARE 1/4 W., 1/10W ;  
CAPACITOR VALUES ARE 50V ;  
THT CAPACITOR VALUES ARE TANTALUM ;  
UNLESS OTHERWISE NOTED.

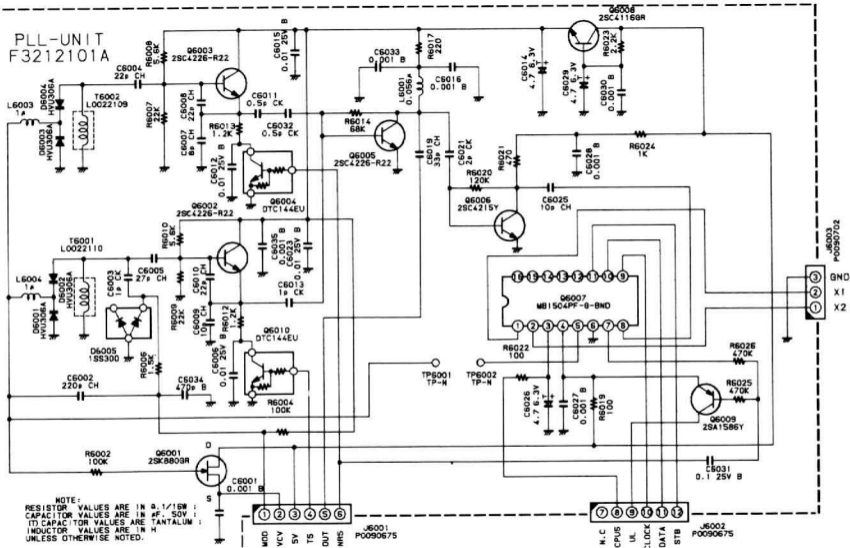
D52001  
T415001

- AF MUTE
- SCAN
- SIB
- BEEP
- AF CNTL
- ENC
- CPUS
- N.C.
- TSD
- HB
- GND

Q2005-1  
#D401380

Q2005-3  
#D401380

# PLL-UNIT F3212101A



NOTE:  
RESISTOR VALUES ARE IN Ω, 1/16W ;  
CAPACITOR VALUES ARE IN pF, 50V ;  
(T) CAPACITOR VALUES ARE TANTALUM ;  
INDUCTOR VALUES ARE IN H  
UNLESS OTHERWISE NOTED.

J6001 P0090675

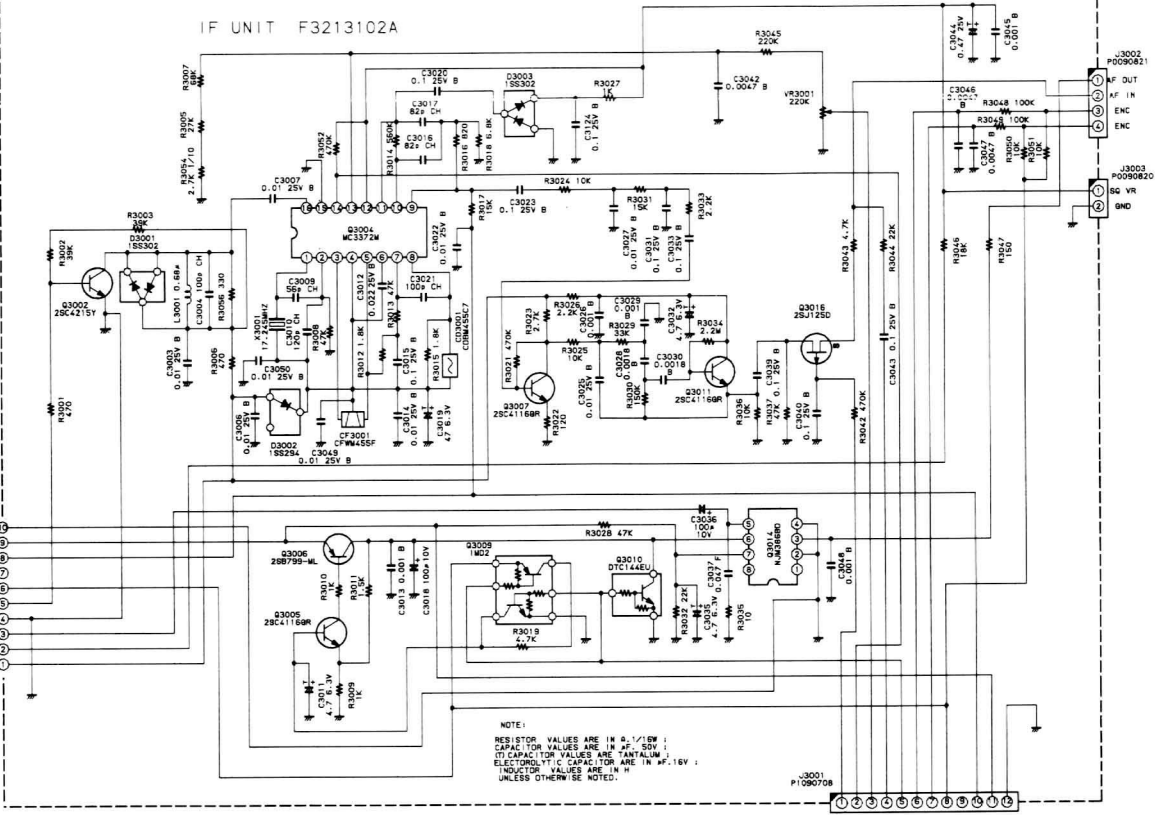
J6002 P0090675

J6003 P0090702

Copying 4L4UA e-mail: arthur2000@fromru.com

IF UNIT F3213102A

GND 10  
 +B 9  
 TSQ 8  
 N.C 7  
 CPU5 6  
 IF IN 5  
 GND 4  
 AF 3  
 S05V 2  
 RS 1

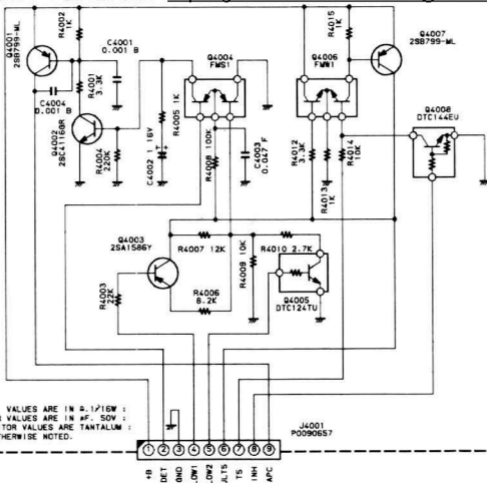


NOTE:  
 RESISTOR VALUES ARE IN Ω, 1KΩ, 10KΩ;  
 CAPACITOR VALUES ARE IN pF, 100nF;  
 DIODE CAPACITOR VALUES ARE IN μF, 100nF;  
 ELECTROLYTIC CAPACITOR VALUES ARE IN μF, 100nF;  
 INDUCTOR VALUES ARE IN mH  
 UNLESS OTHERWISE NOTED.

P1090708

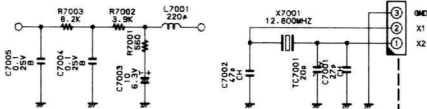
AF IN 1  
 AF OUT 2  
 ENC 3  
 ENC 4  
 CPU5 5  
 N.C 6  
 TSQ 7  
 +B 8  
 GND 9

J3002 P0090821  
 AF OUT 1  
 AF IN 2  
 ENC 3  
 ENC 4  
 J3003 P0090820  
 SG VR 1  
 GND 2



Copiring 4L4UA e-mail: arthur2000@fromru.com

CLOCK-UNIT  
F3222101A



NOTE:

RESISTOR VALUES ARE IN Ω, 1/16W ;

CAPACITOR VALUES ARE IN µF, 50V ;

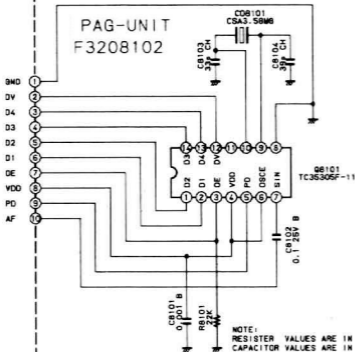
(T) CAPACITOR VALUES ARE TANTALUM ;

INDUCTOR VALUES ARE IN H

UNLESS OTHERWISE NOTED.

copiring 4L4UA e-mail: arthur2000@fromru.com

PAG-UNIT  
F3208102

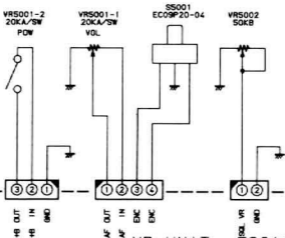


NOTE:

RESISTOR VALUES ARE IN  $\Omega$ , T/15W ;  
CAPACITOR VALUES ARE IN  $\mu$ F, 50V ;  
(T) CAPACITOR VALUES ARE TANTALUM ;  
UNLESS OTHERWISE NOTED.



Copiring 4L4UA e-mail: arthur2000@fromru.com



VR-UNIT

F3211000