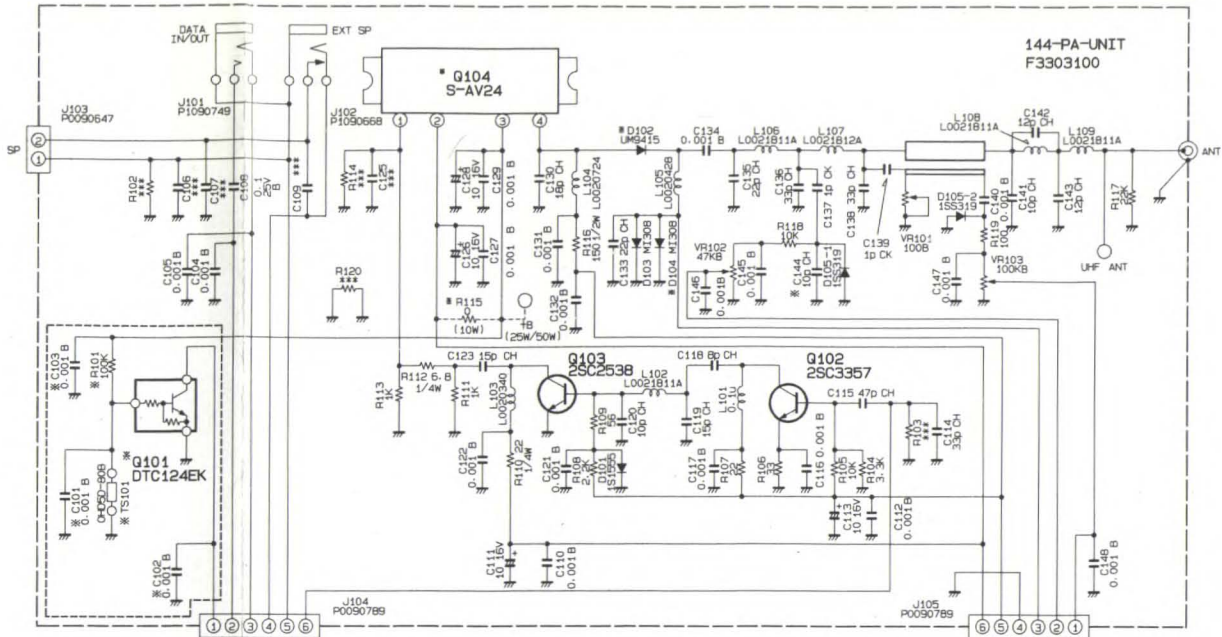
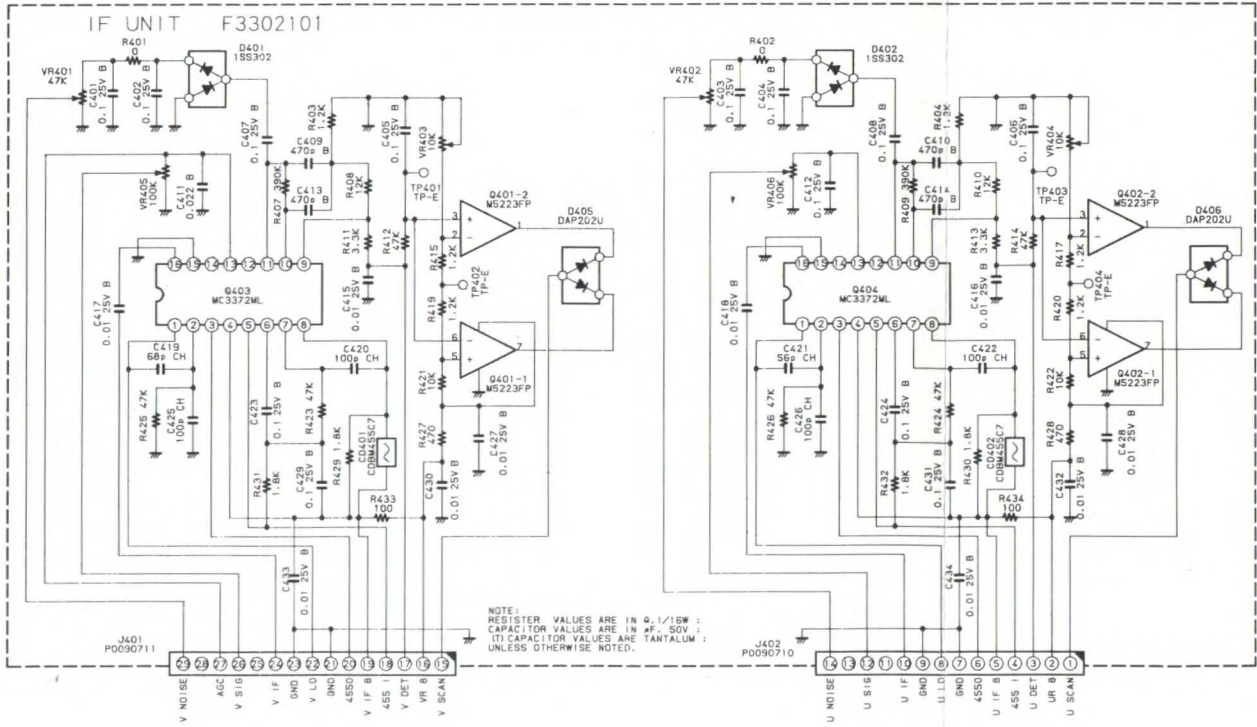


NOTE:
RESISTOR VALUES ARE IN Ω , 1/16W;
CAPACITOR VALUES ARE IN μ F, 50V;
UNLESS OTHERWISE NOTED.

	C101	C102	C103	C144	R101	R115	TS101	Q101	Q104	D102	D104
50W	0.001	0.001	0.001	10p	100K	—	0	DTC124EK	S-AV24	LM9415	M1308
25W	0.001	0.001	0.001	6p	100K	—	0	DTC124EK	M57737	LM9415	M1308
10W	—	—	—	3p	—	—	—	—	S-AV5	M1308	—



NOTE:
RESISTOR VALUES ARE IN Ω , 1/16W;
UNLESS OTHERWISE NOTED.



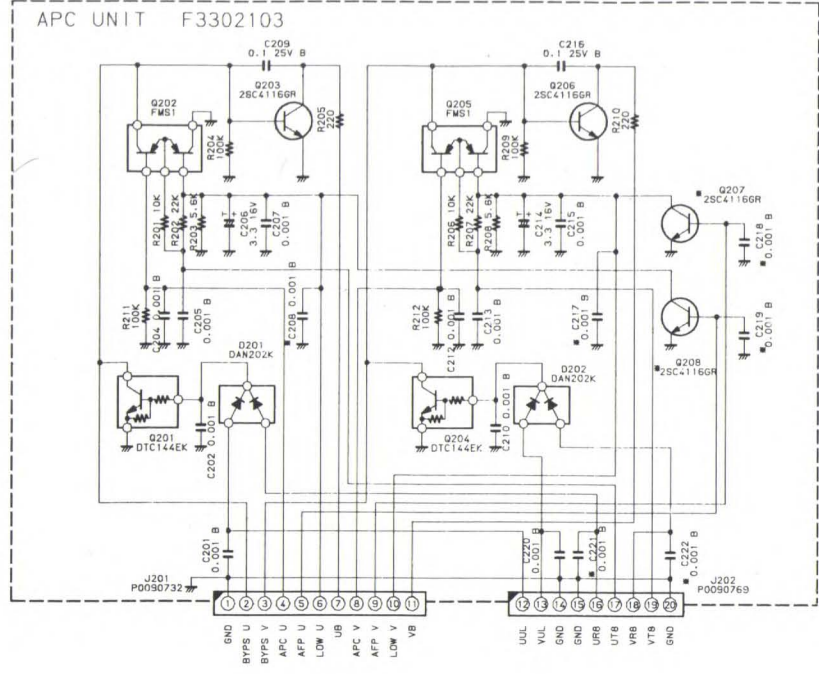
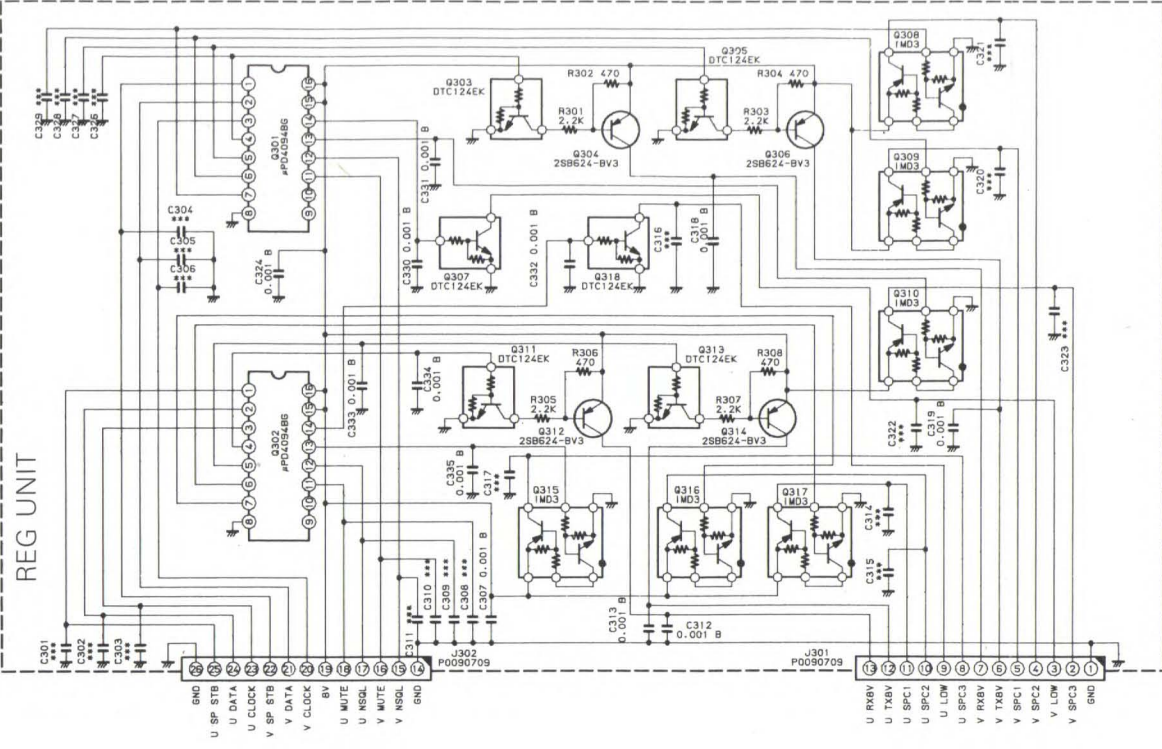
NOTE:
RESISTOR VALUES ARE IN Ω , 1/16W;
CAPACITOR VALUES ARE IN μ F, 50V;
(T) CAPACITOR VALUES ARE TANTALUM;
UNLESS OTHERWISE NOTED.



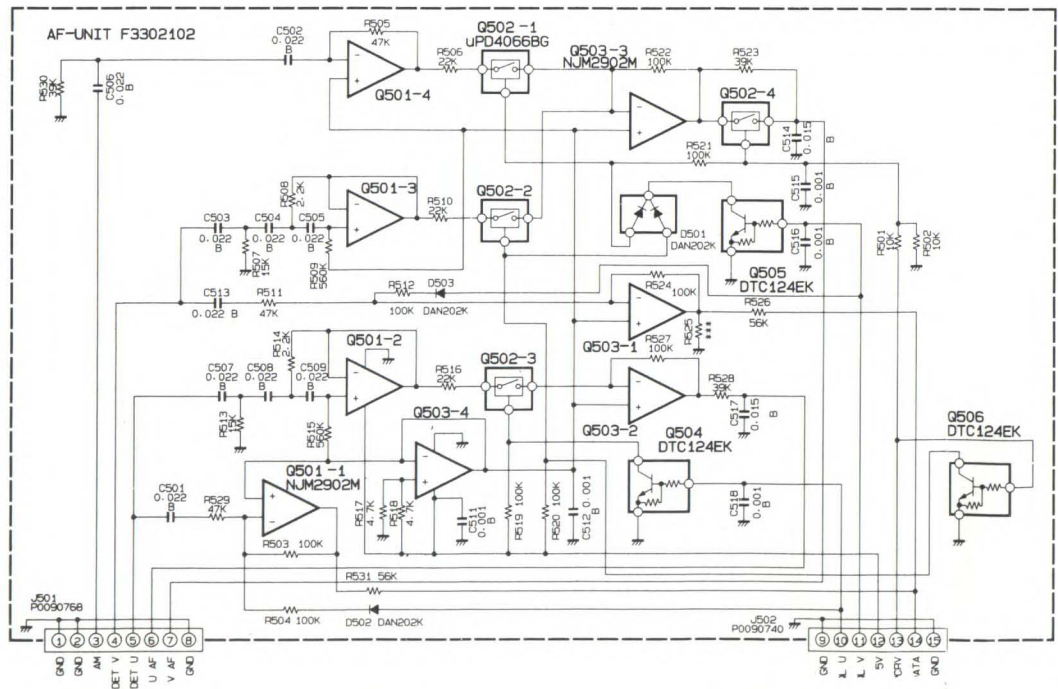
FT-4600

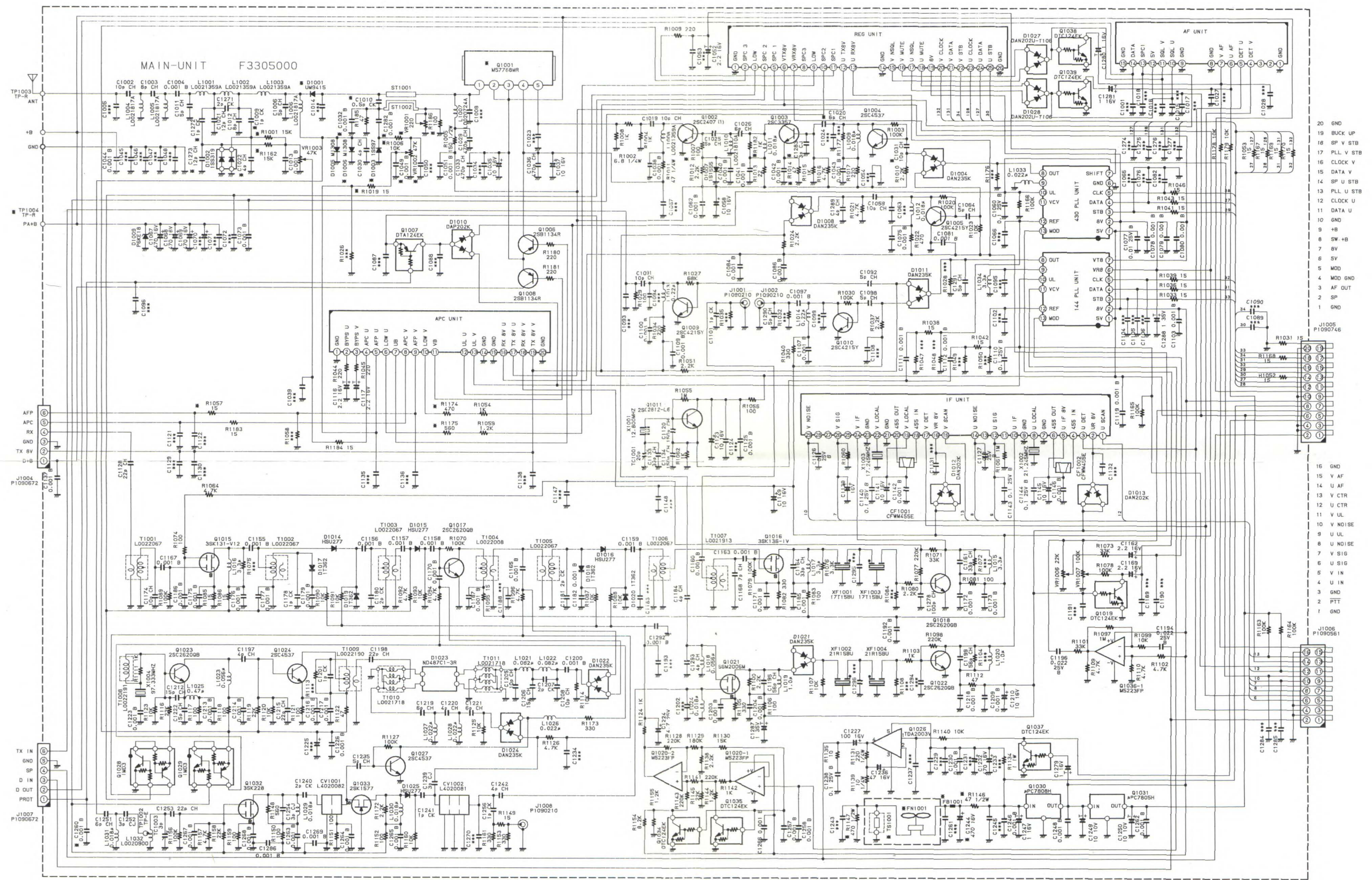
SCHEMATIC DIAGRAMS

REG UNIT



	C208	C217	C218	C219
10W	—	—	—	—
50W	0.001u	0.001u	0.001u	0.001u
	C221	C222	Q207	Q208
10W	—	—	—	—
50W	0.001u	0.001u	2SC 4116GR	2SC 4116GR



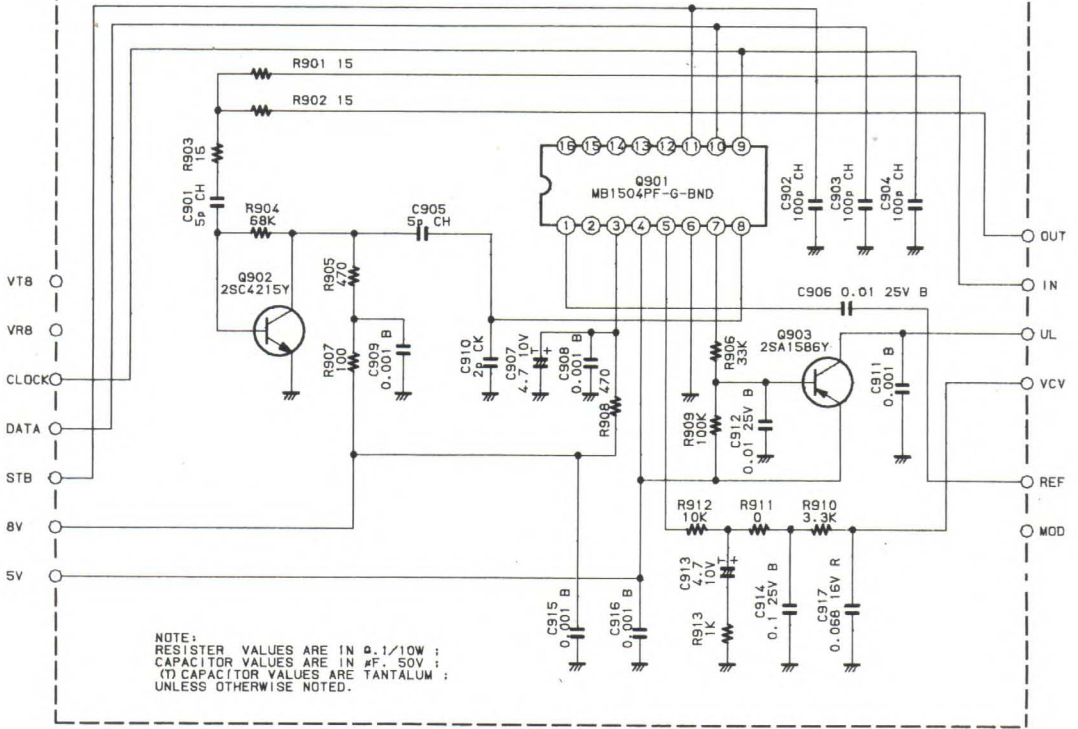


NOTE:
 RESISTOR VALUES ARE IN Ω, 1/16W ;
 CAPACITOR VALUES ARE IN μF, 50V ;
 (†) CAPACITOR VALUES ARE TANTALUM ;
 UNLESS OTHERWISE NOTED.

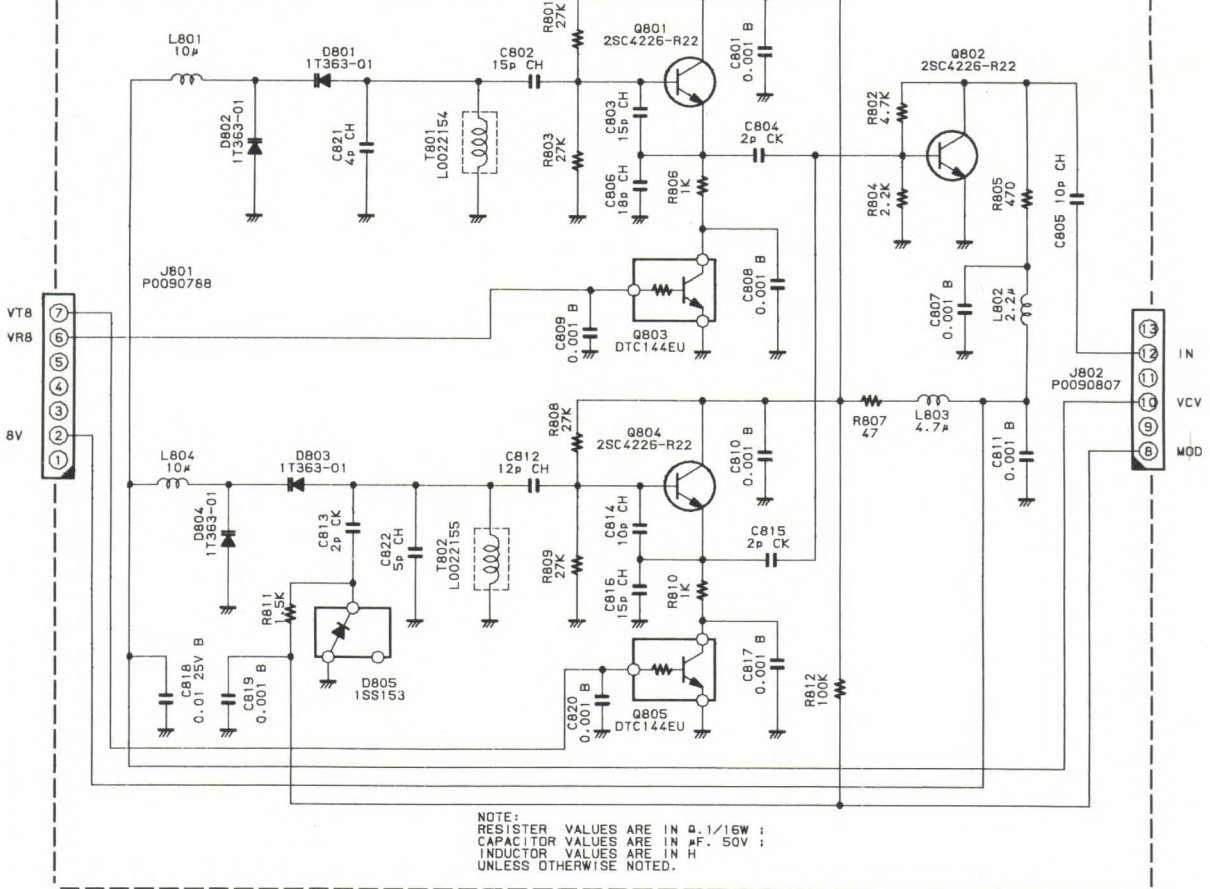
	C1009	C1010	C1020	C1022	C1031	C1032	C1049	C1244	C1260	C1272	C1273	C1282	C1283	D1001	D1003	D1006	D1001	R1001	R1009	R1014	R1019	R1057	R1116	R1147	R1162	R1174	R1175	R1182	R1185	R1186	VR1001	VR1002	BT1001	FN1001	FT1001	TS1001	
10W	1μ	5μ	5μ	4μ	5μ			470/10V	0.001	1μ	5μ	0.001	3μ	M1308		M1308	M1308	15K	10K	47	47	15	15	15	15	330	1K										
25W		0.5μ	4μ		10μ	0.001	0.001	470/10V	0.001	1μ	5μ	0.001		15K	47	15K	470	560	100	22	15	15	47	100	15K	470	560										
50/35W		0.5μ	4μ		10μ	0.001	0.001	470/10V	0.001	1μ	12μ	0.001		UM9415	SS97	M1308	M7890		100	22	15	15	47	100	15K	470	560										

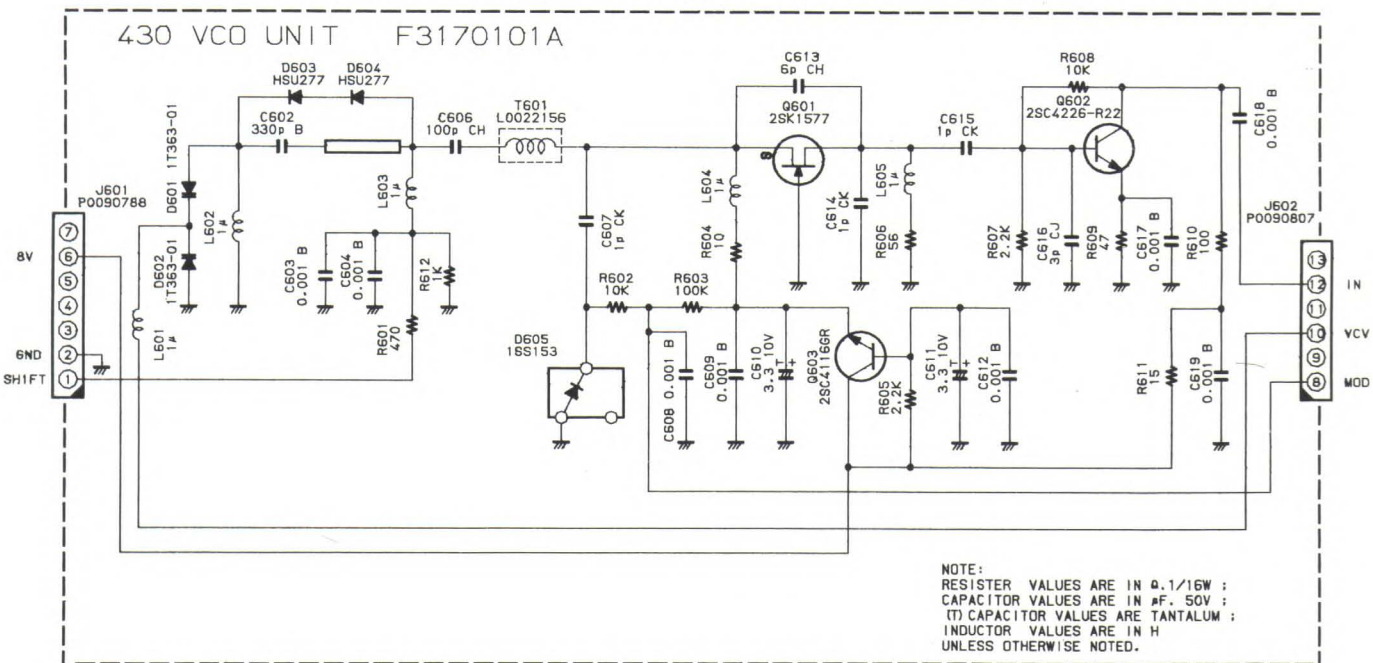
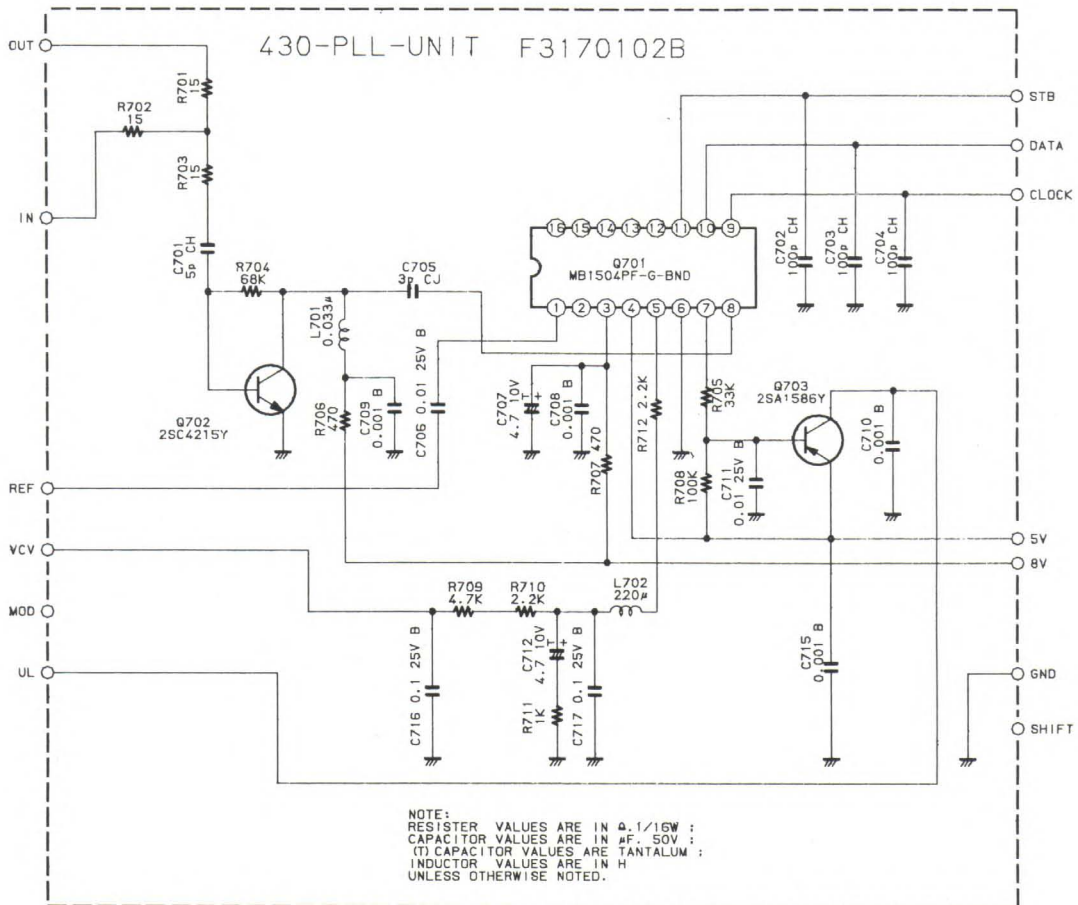
- 20 GND
- 19 BUCK UP
- 18 SP V STB
- 17 PLL V STB
- 16 CLOCK V
- 15 DATA V
- 14 SP U STB
- 13 PLL U STB
- 12 CLOCK U
- 11 DATA U
- 10 GND
- 9 +B
- 8 SW +B
- 7 SW -B
- 6 5V
- 5 MOD
- 4 MOD GND
- 3 AF OUT
- 2 SP
- 1 GND
- 16 GND
- 15 V AF
- 14 V CTR
- 13 V CTR
- 12 V UL
- 11 V NOISE
- 9 U UL
- 8 V NOISE
- 7 V SIG
- 6 V IN
- 4 U IN
- 3 GND
- 2 PTT
- 1 GND
- 16 GND
- 15 V AF
- 14 V CTR
- 13 V CTR
- 12 V UL
- 11 V NOISE
- 9 U UL
- 8 V NOISE
- 7 V SIG
- 6 V IN
- 4 U IN
- 3 GND
- 2 PTT
- 1 GND

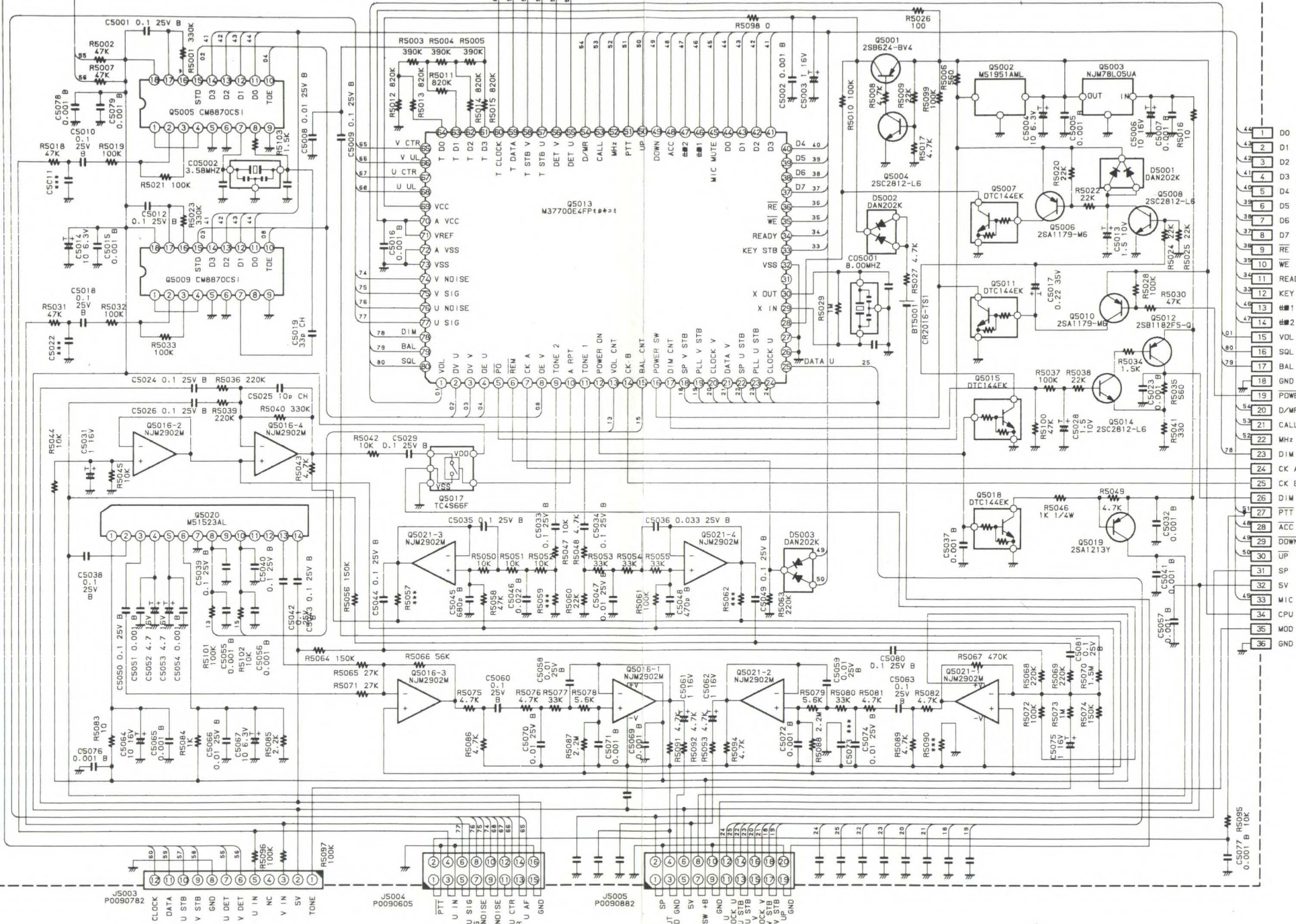
144-PLL-UNIT F3169102B



144 VCO UNIT F3169101A







- 1 DO
- 2 D1
- 3 D2
- 4 D3
- 5 D4
- 6 D5
- 7 D6
- 8 D7
- 9 RE
- 10 WE
- 11 READY
- 12 KEY STB
- 13 #1
- 14 #2
- 15 VOL
- 16 BAL
- 17 SQL
- 18 GND
- 19 POWER SW
- 20 D/MR
- 21 CALL
- 22 MHz
- 23 DIM
- 24 CK A
- 25 CK B
- 26 DIM CNTL
- 27 PTT
- 28 ACC
- 29 DDWN
- 30 UP
- 31 SP
- 32 SV
- 33 MIC MUTE
- 34 CPU SV
- 35 MOD
- 36 GND

J5003
P0090782

J5004
P0090605

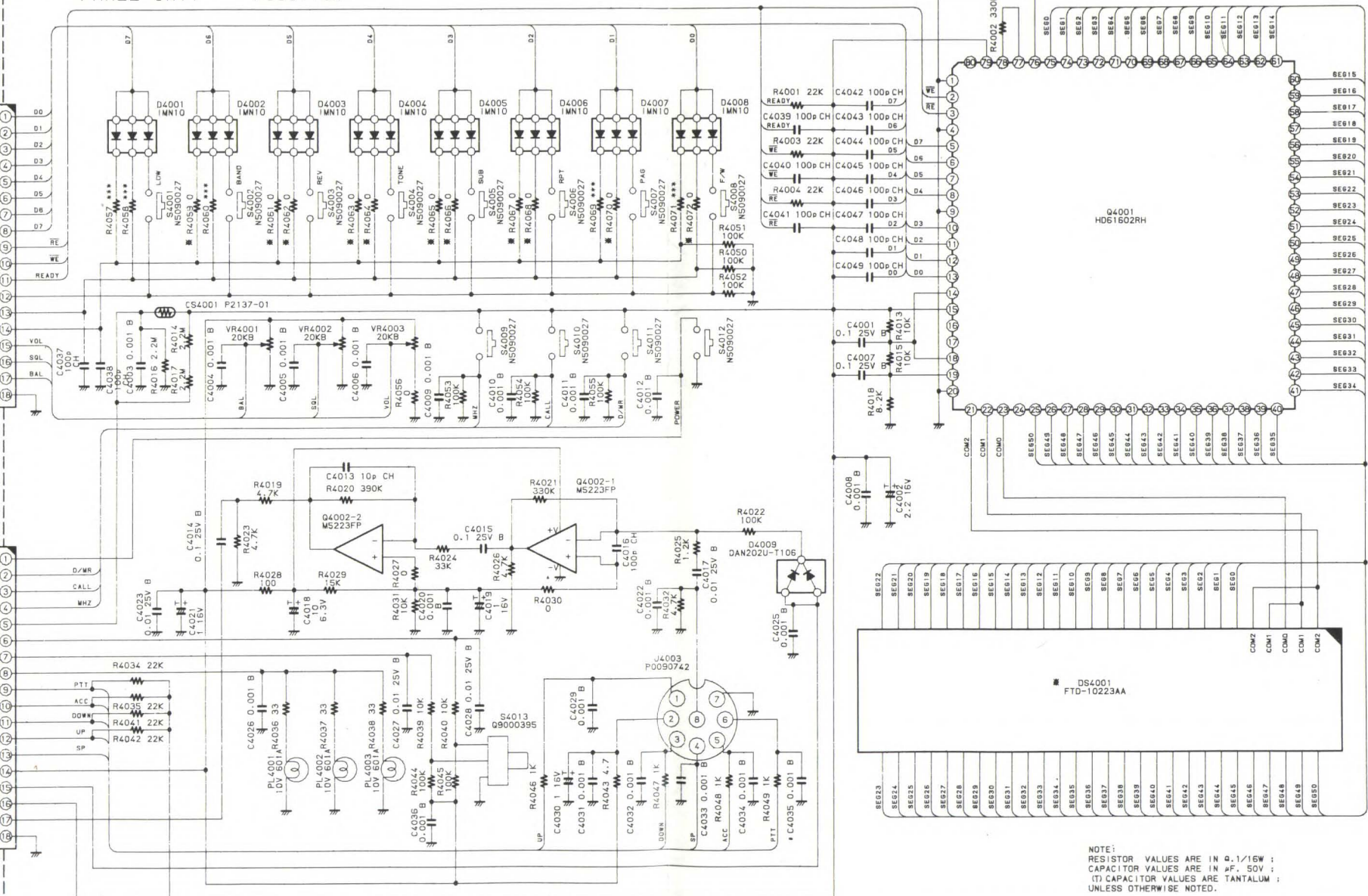
J5005
P0090862

C5077, R5095
0.001 B 10K

PANEL UNIT F3301100

- J4001 P1090653
- D0
- D1
- D2
- D3
- D4
- D5
- D6
- D7
- RE
- WE
- READY
- KEY STB
- 1
- 2
- VOL
- SOL
- BAL
- GND

- J4002 P1090653
- POWER SW
- D/MR
- CALL
- MHZ
- DIM
- CK A
- CK B
- DIM CNTL
- PTT
- ACC
- DOWN
- UP
- SP
- 5V
- MIC MUTE
- CPU 5V
- MOD
- GND



NOTE:
 RESISTOR VALUES ARE IN Ω , 1/16W ;
 CAPACITOR VALUES ARE IN μ F, 50V ;
 (T) CAPACITOR VALUES ARE TANTALUM ;
 UNLESS OTHERWISE NOTED.