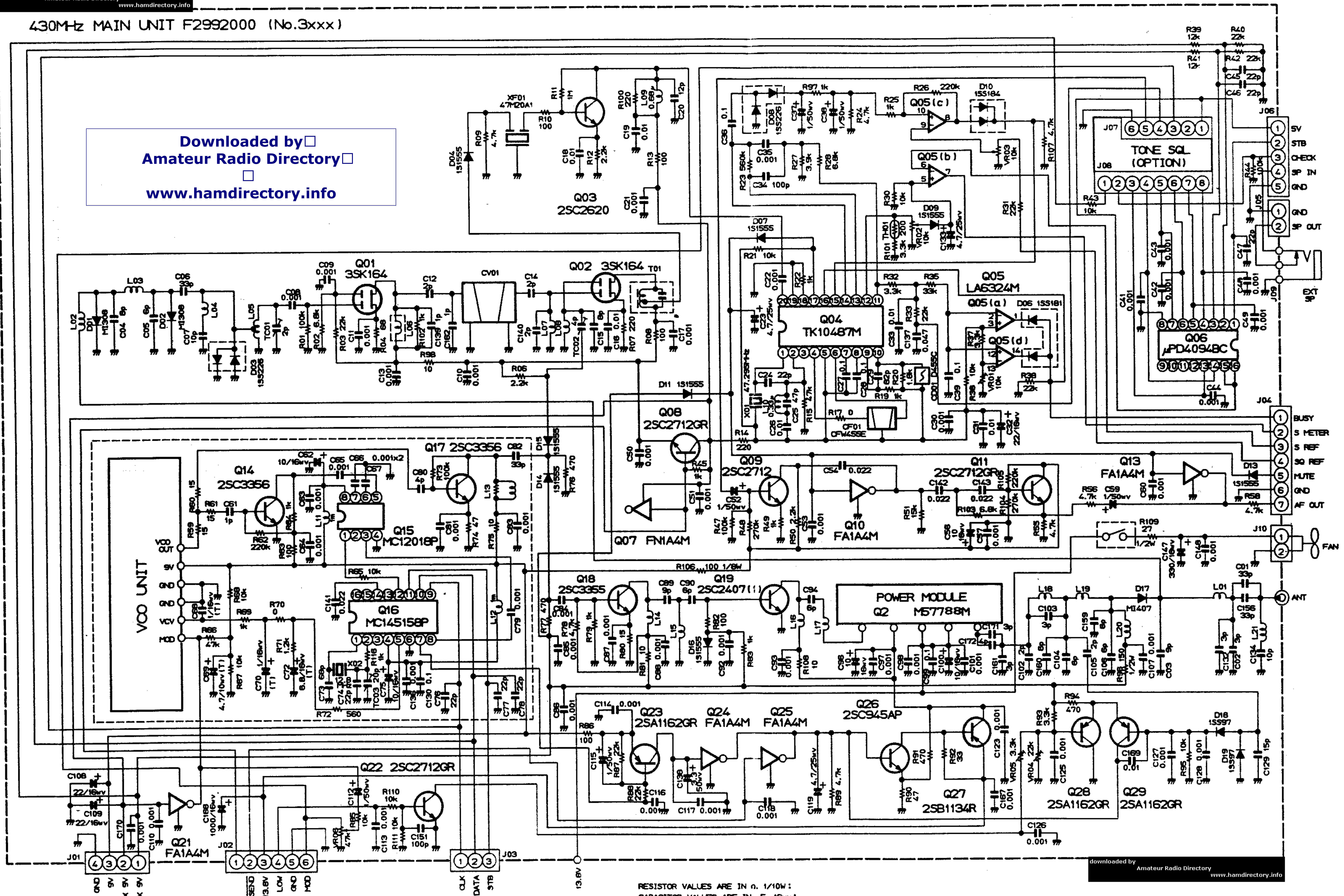


PANEL UNIT
F2955000A (No. 6xxx)

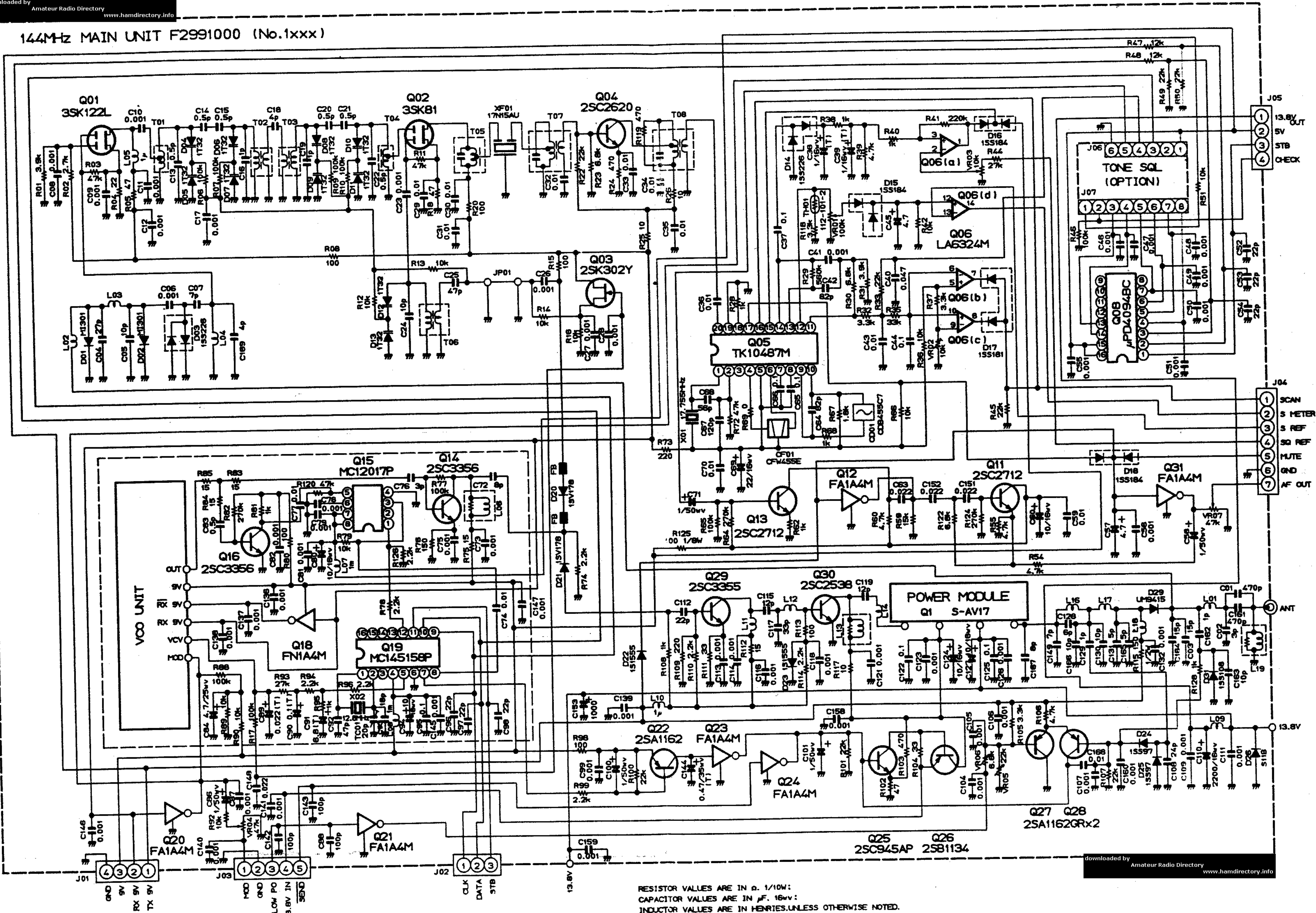
430MHz MAIN UNIT F2992000 (No.3xxx)

Downloaded by
Amateur Radio Directory
www.hamdirectory.info



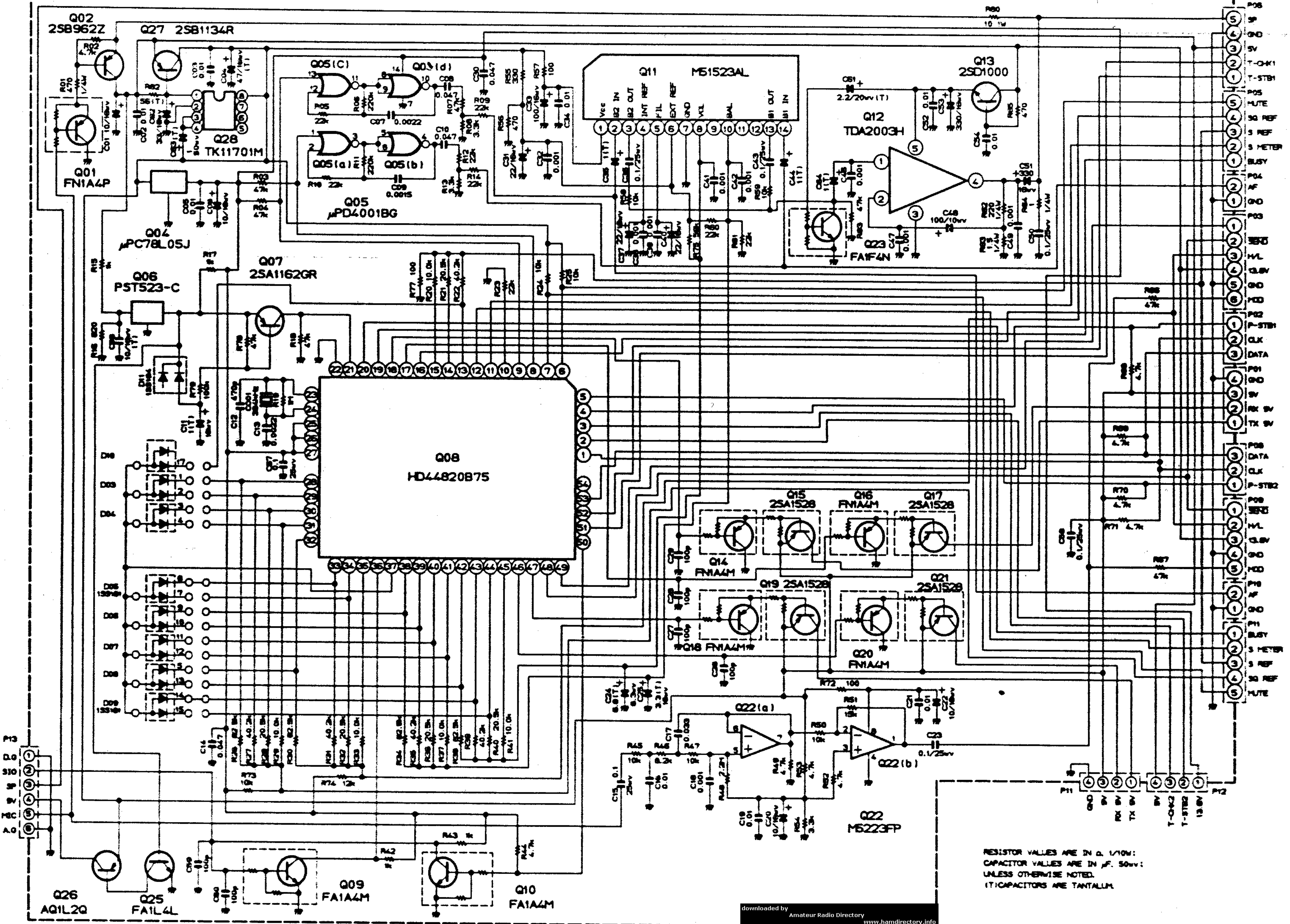
RESISTOR VALUES ARE IN Ω, 1/10W;
 CAPACITOR VALUES ARE IN μF, 16V;
 INDUCTOR VALUES ARE IN HENRIES, UNLESS OTHERWISE NOTED.
 (T) CAPACITORS ARE TANTALUM.

144MHz MAIN UNIT F2991000 (No.1xxx)



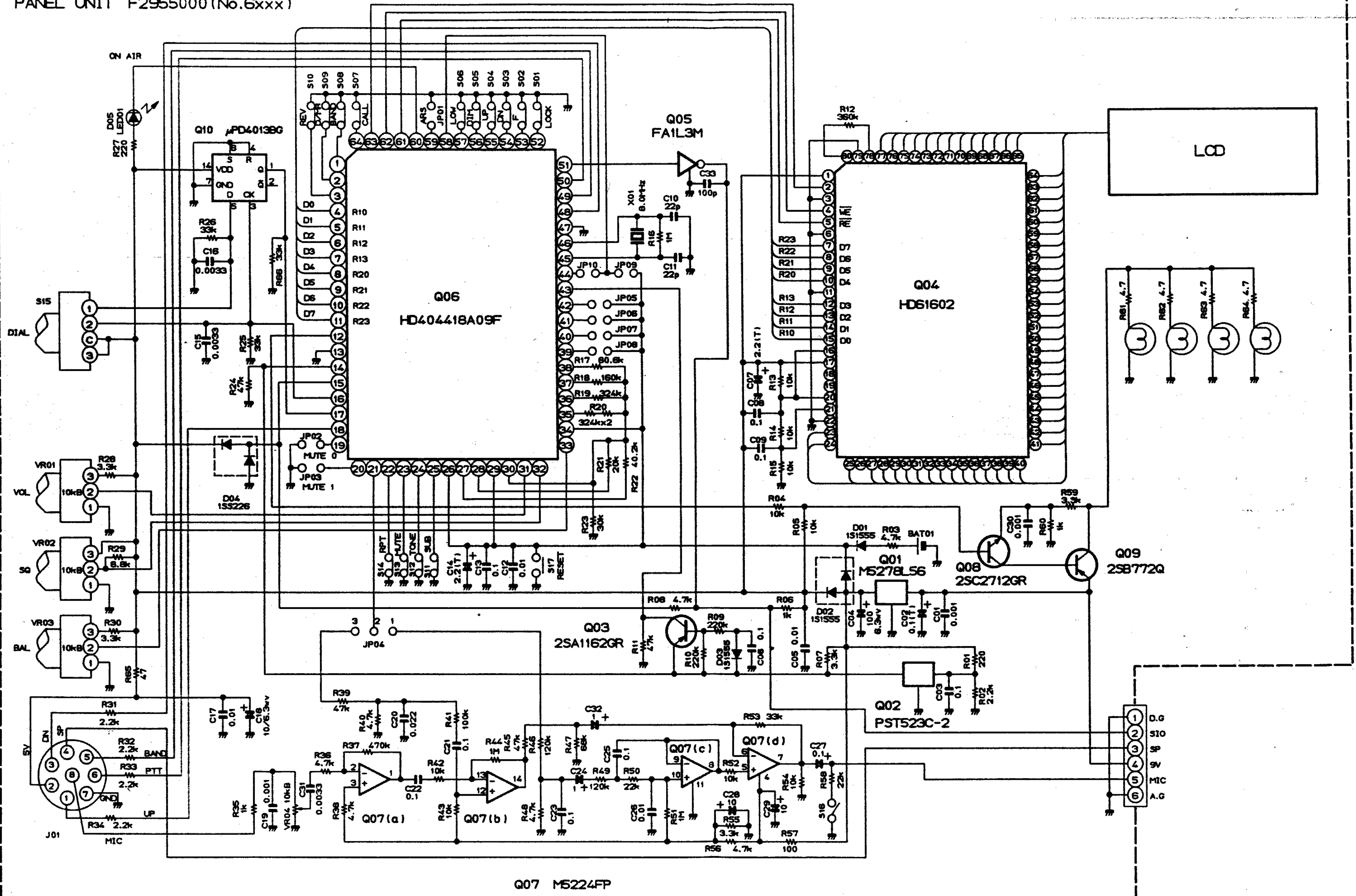
RESISTOR VALUES ARE IN Ω, 1/10W;
 CAPACITOR VALUES ARE IN μF, 16V;
 INDUCTOR VALUES ARE IN HENRIES, UNLESS OTHERWISE NOTED.
 (T) CAPACITORS ARE TANTALUM.

CNTL UNIT F2960101B (No.5xxx)



RESISTOR VALUES ARE IN Ω, 1/10Ω;
CAPACITOR VALUES ARE IN μF, 50μV;
UNLESS OTHERWISE NOTED,
† CAPACITORS ARE TANTALUM.

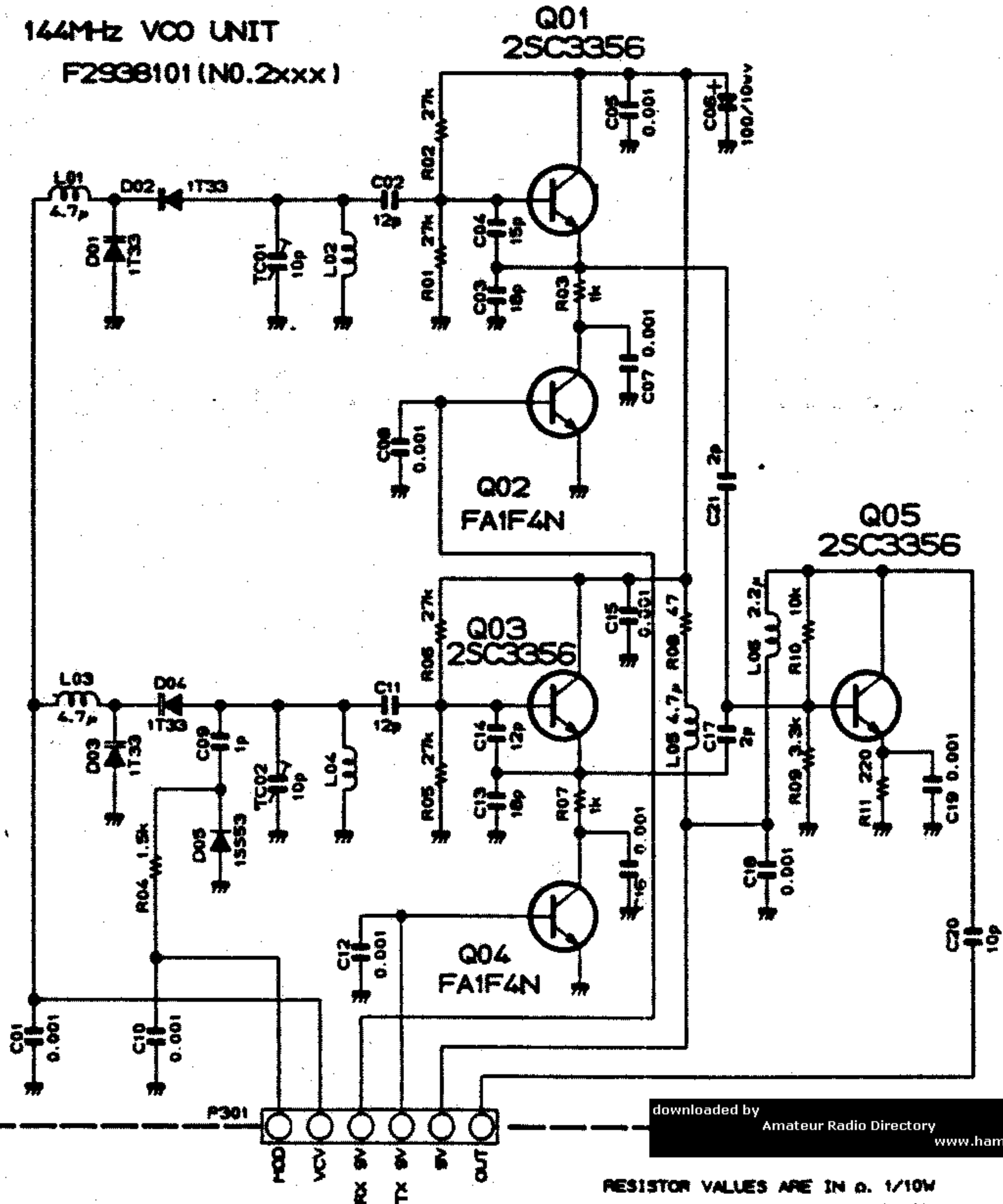
PANEL UNIT F2955000 (No.6xxx)



Q07 M5224FP

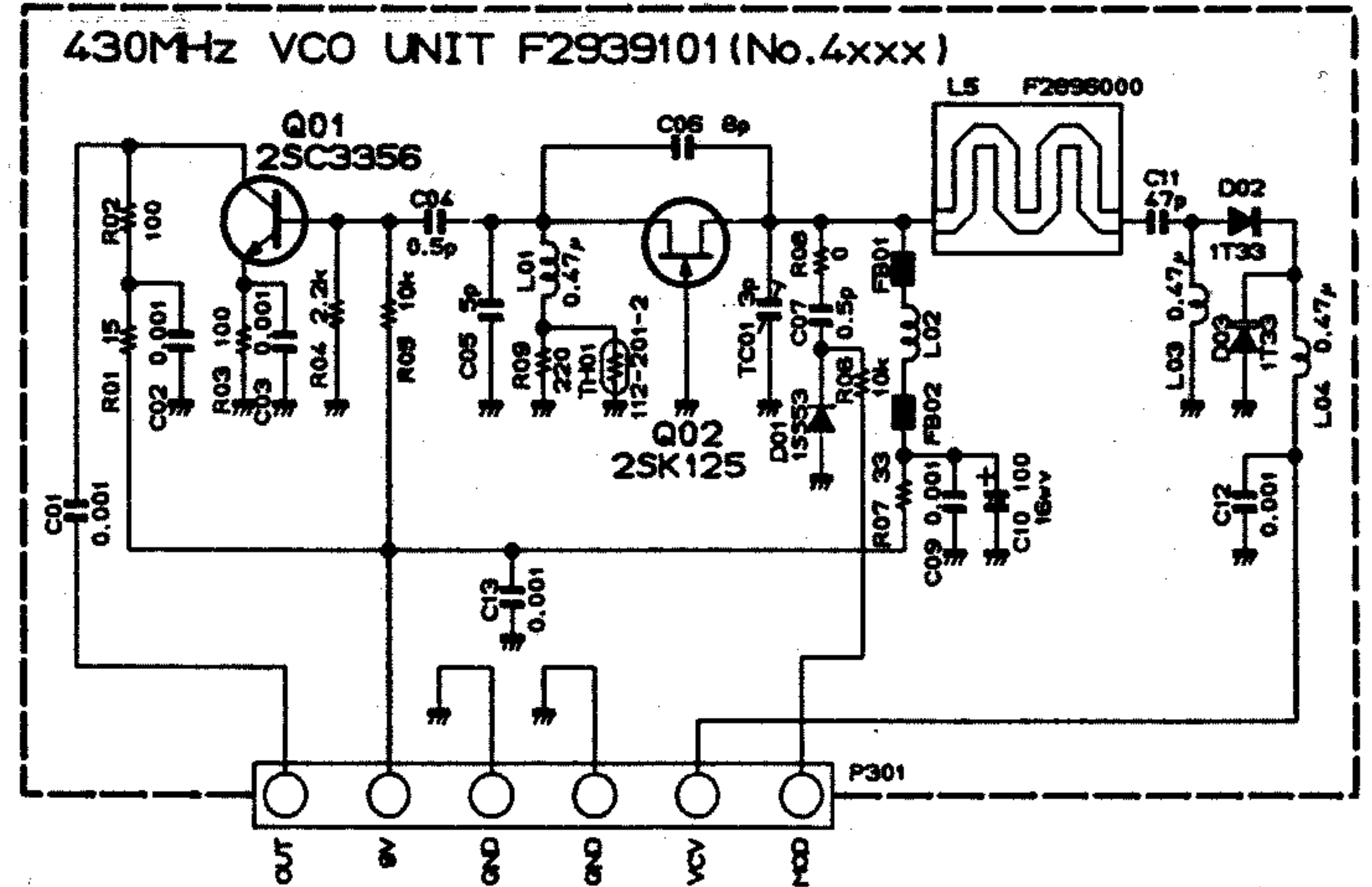
RESISTOR VALUES ARE IN Ω , 1/10W;
CAPACITOR VALUES ARE IN μ F, 16V;
UNLESS OTHERWISE NOTED.
(T)CAPACITORS ARE TANTALUM.

144MHz VCO UNIT
F2938101 (NO.2xxx)



RESISTOR VALUES ARE IN Ω, 1/10W
CAPACITOR VALUES ARE IN μF, 50V;
INDUCTOR VALUES ARE IN H; UNLESS OTHERWISE NOTED.

430MHz VCO UNIT F2939101 (No.4xxx)

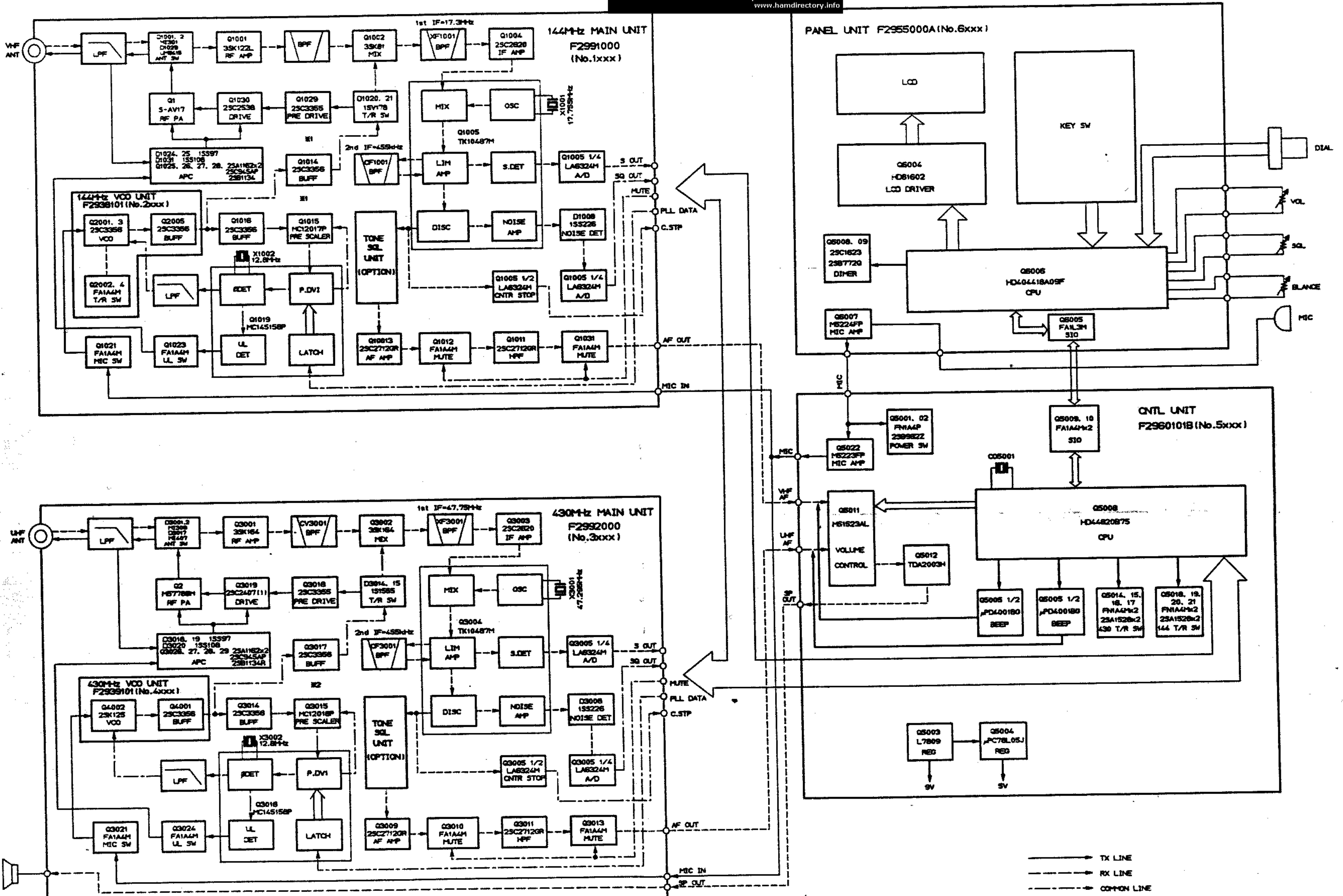


RESISTOR VALUES ARE IN Ω, 1/10W;
CAPACITOR VALUES ARE IN μF, 50V;
INDUCTOR VALUES ARE IN H;
UNLESS OTHERWISE NOTED.

EXP.

B1, C1, H, D1	RX	161.3-189.3MHz
	TX	144.0-148.0MHz
A1, B2, C2, H2	RX	161.3-189.3MHz
	TX	144.0-148.0MHz
A3, B3, C3, H3	RX	157.3-191.3MHz
	TX	140.0-174.0MHz
A2	RX	157.3-191.3MHz
	TX	140.0-150.0MHz

downloaded by Amateur Radio Directory
www.hamdirectory.info



downloaded by Amateur Radio Directory
www.hamdirectory.info

EXP.

A	RX	392.25-402.25MHz
	TX	430.00-450.00MHz
B, C, H	RX	392.25-392.25MHz
	TX	430.00-440.00MHz
D1	RX	434.25-390.25MHz
	TX	430.00-430.00MHz

Downloaded by
Amateur Radio Directory
www.hamdirectory.info