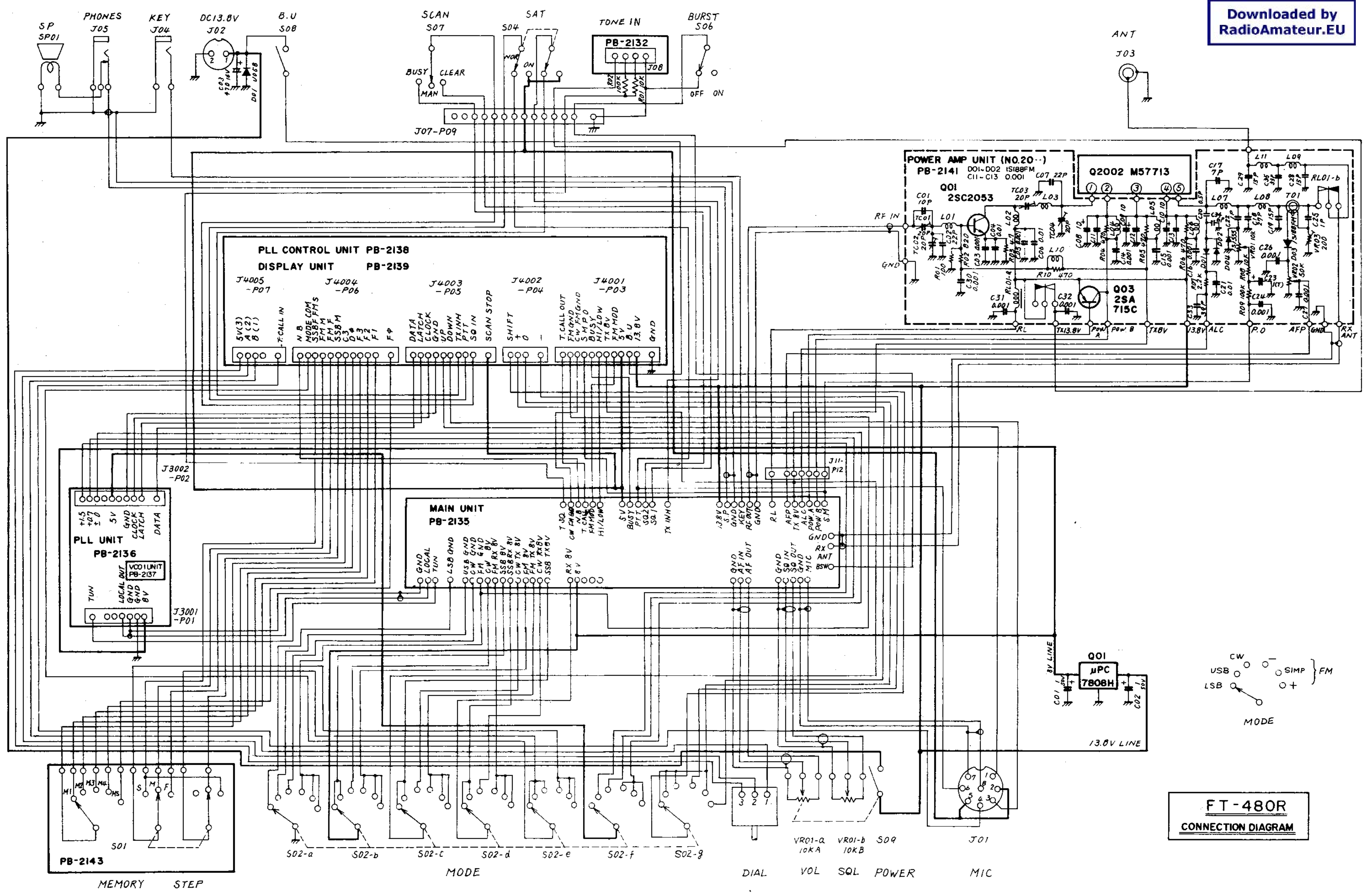
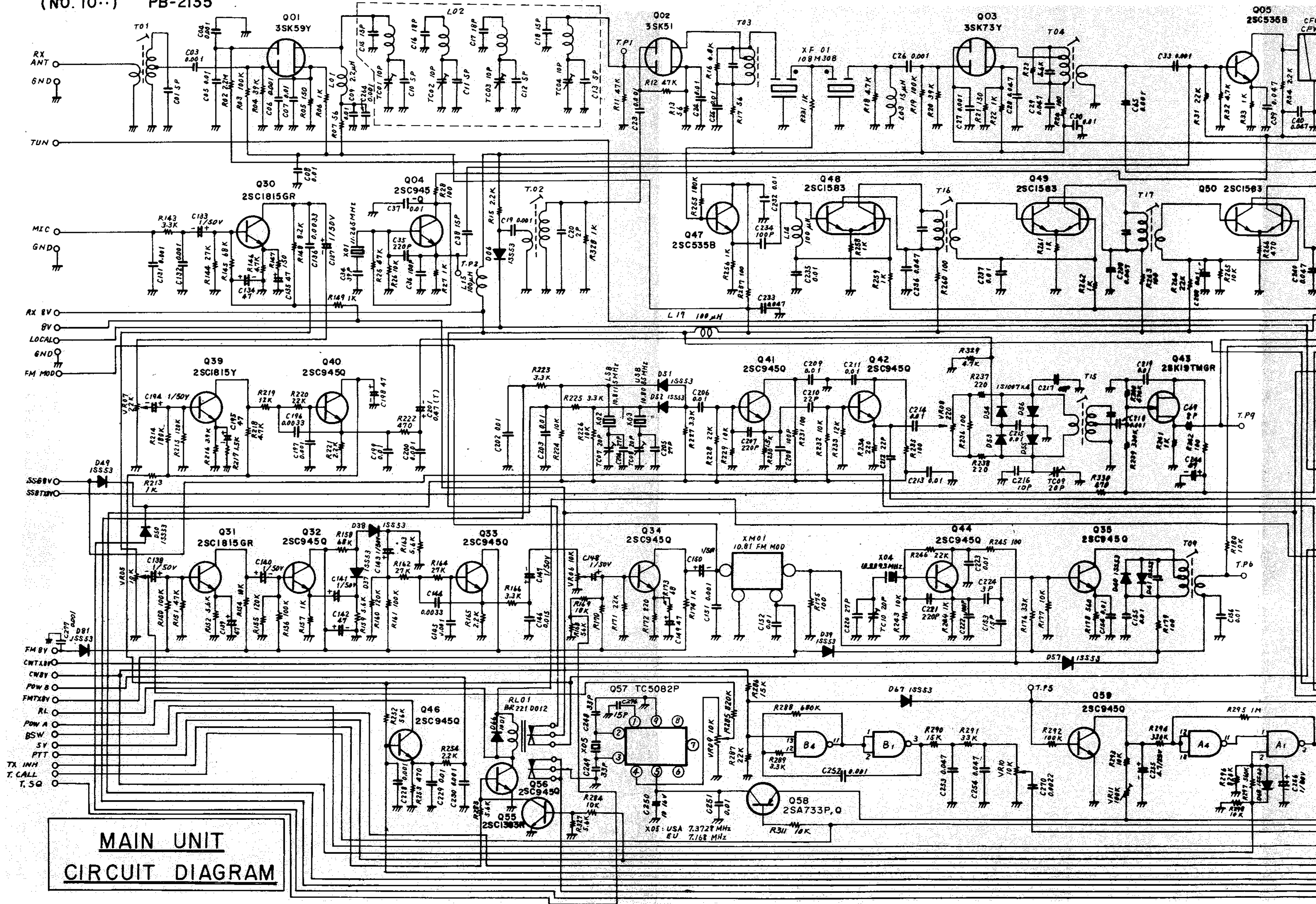


Downloaded by
RadioAmateur.EU

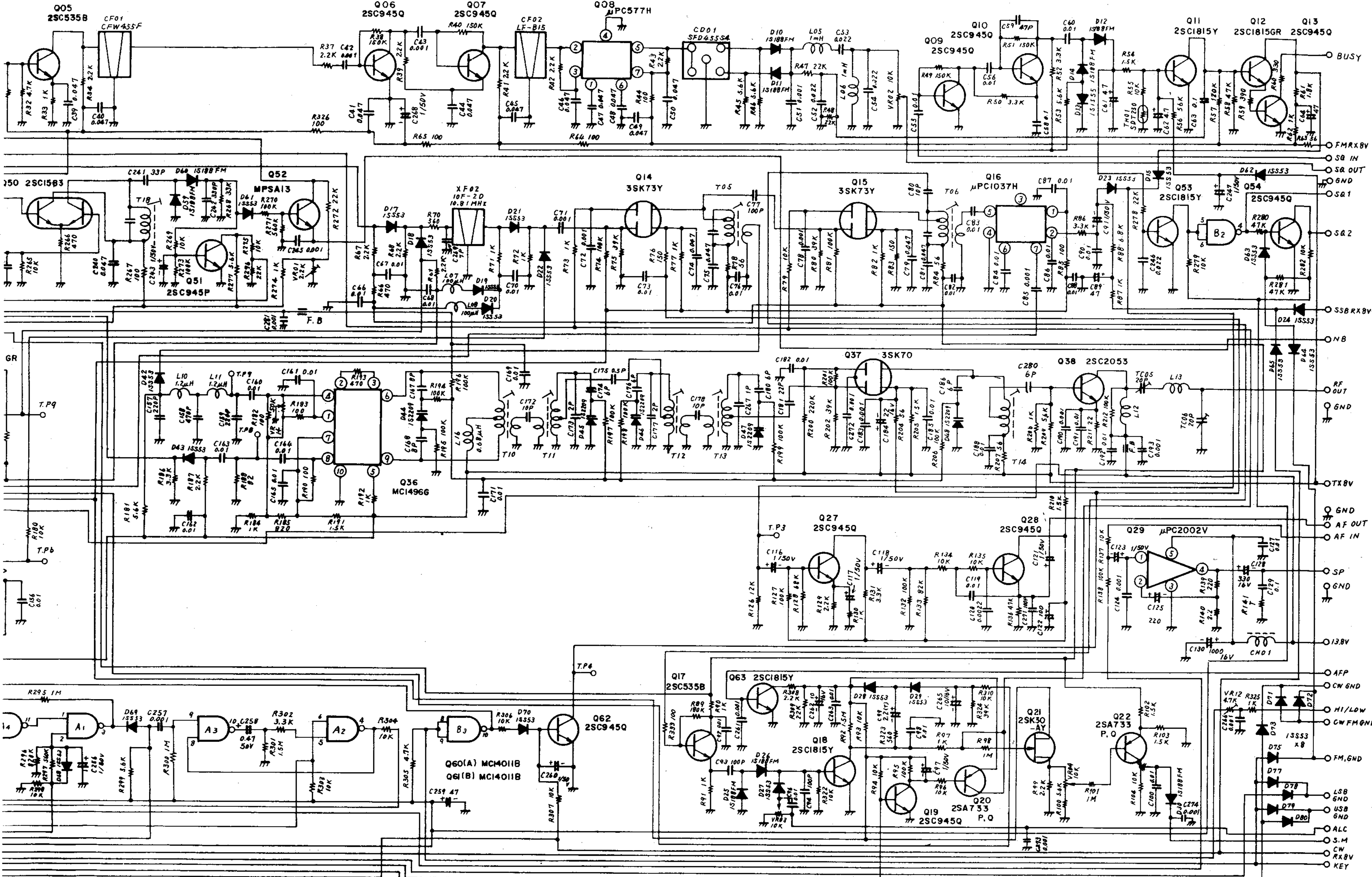


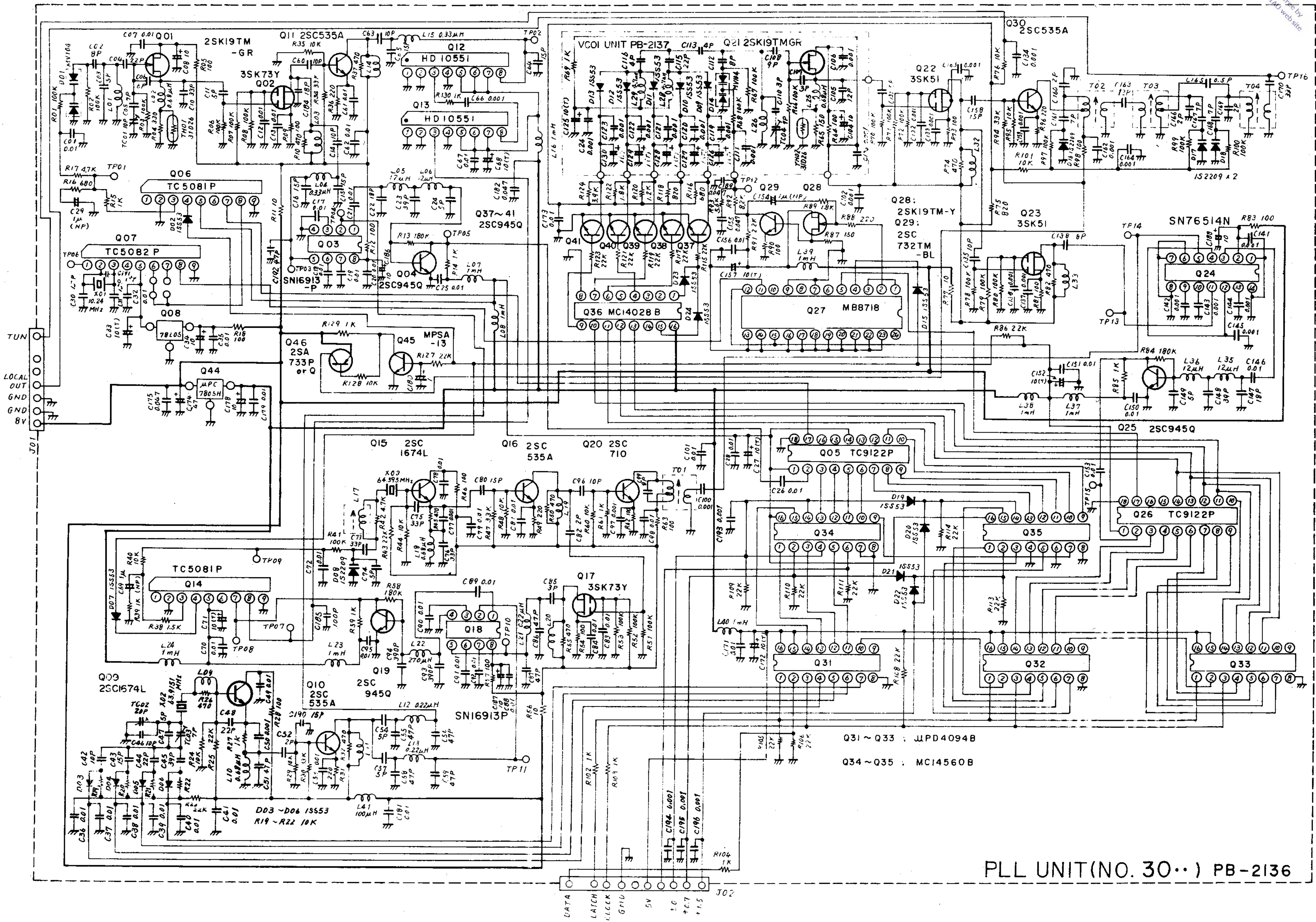
FT-48OR
CONNECTION DIAGRAM

(NO. 10..) PB-2135



MAIN UNIT
CIRCUIT DIAGRAM



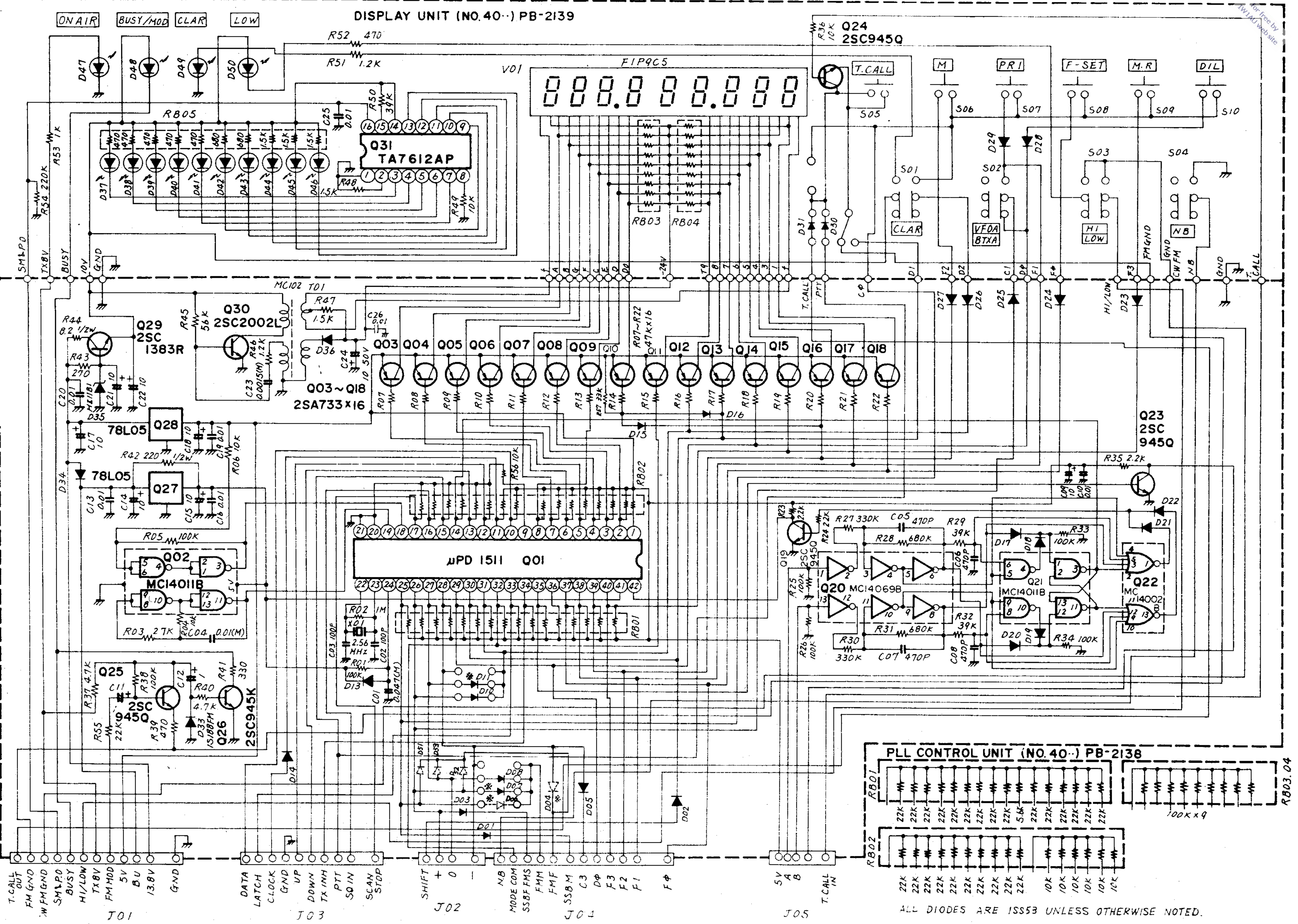


PLL UNIT (NO. 30..) PB-2136

J01
DATA
LATCH
LCKK
GND
5V
+0
+0.7
+1.5
J02

Q31 ~ Q33 : JPD4094B
Q34 ~ Q35 : MCI4560B

DISPLAY UNIT (NO. 40...) PB-2139



ALL DIODES ARE 1SS53 UNLESS OTHERWISE NOTED.

for free by
AWJAO website