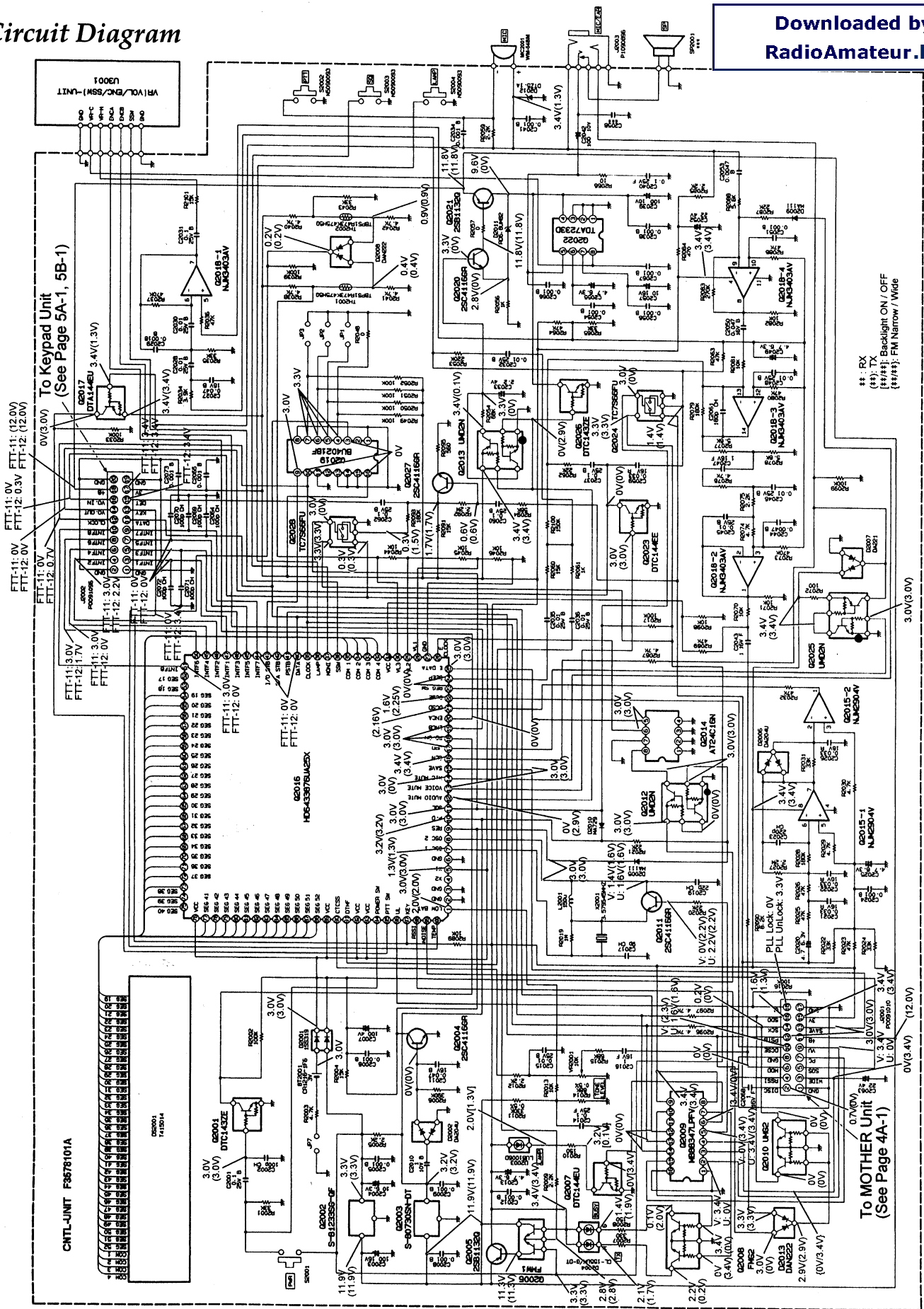


**: RX
 (**): TX
 (**/): Backlight ON / OFF
 (**/**): FM Narrow / Wide
 [**/**]: PAGE ON / OFF
 (**): T.SQ ON / OFF
 <:**>: 800MHz Band RX

Downloaded by
 RadioAmateur.EU

To CNTL Unit
 (See Page 4D-1)

Circuit Diagram



: RX
: TX
: Backlight ON / OFF
: FM Narrow / Wide

To MOTHER Unit
(See Page 4A-1)

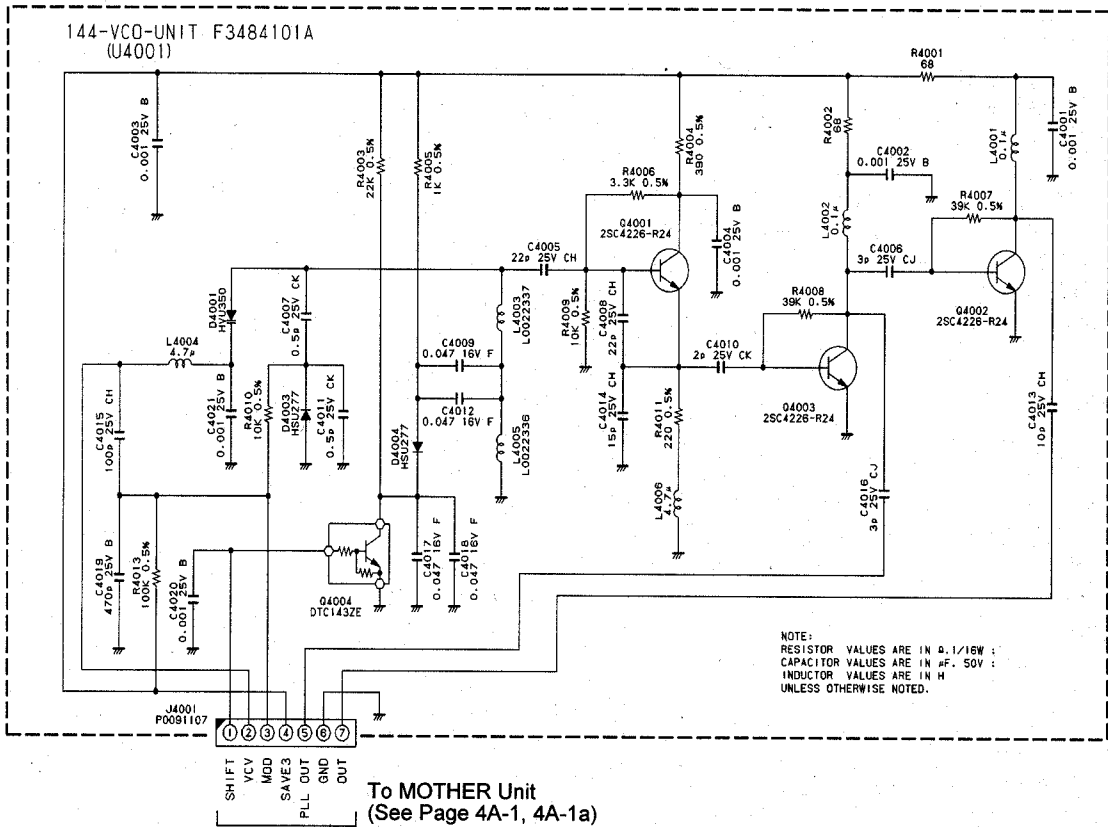
To Keypad Unit
(See Page 5A-1, 5B-1)

CNTL-JUNIT F3678101A

144-VCO Unit

Downloaded by
RadioAmateur.EU

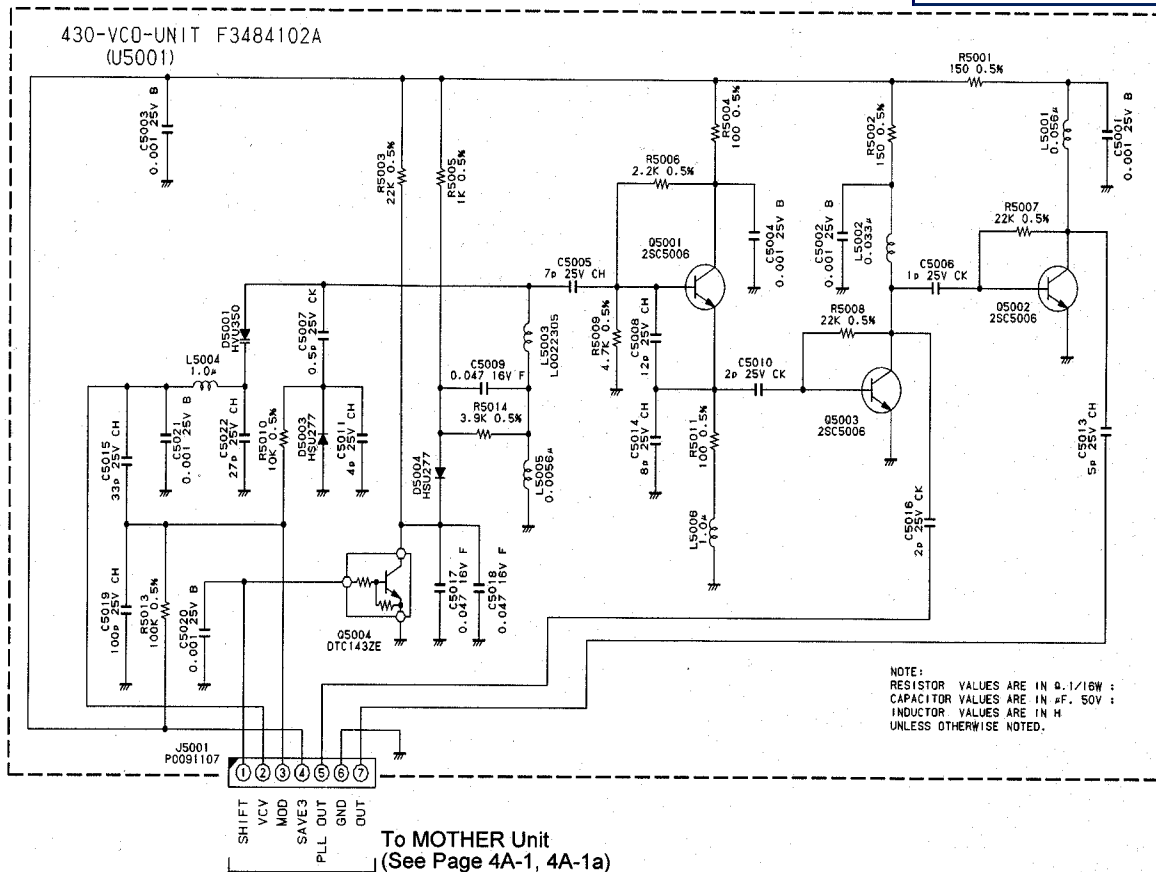
Circuit Diagram



430-VCO Unit

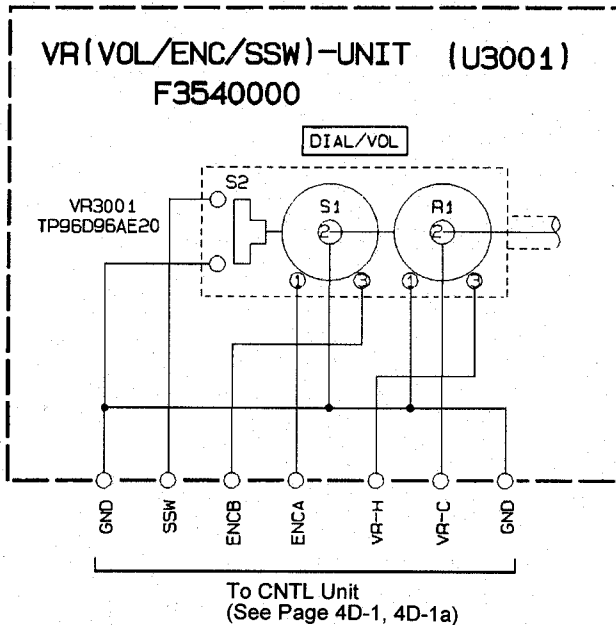
Downloaded by
RadioAmateur.EU

Circuit Diagram



Circuit Diagram

Downloaded by
RadioAmateur.EU



FTT-12 Digital Voice Keypad

Circuit Diagram

