



BAND MODULE INSTALLATION IN THE FT-736R

The FT-736R is supplied with the 144 MHz and 430 MHz band modules already installed in the two upper compartments. Up to two additional band modules may also be installed, in the lower compartments.

Note in the following diagram that the 1.2 GHz module may be installed only in the lower left corner (when viewed from the rear). The 50 and 220 MHz modules may be installed in either of the lower compartments.

- (1) Remove all connections from the jacks on the rear panel, and then remove the two screws in the carrying handle and the eight screws affixing the top and bottom covers. Remove the handle and covers, and place the transceiver upside-down on the workbench.
- (2) Locate the gray rubber thermal pad supplied with the Band Module, and the four machine screws. After confirming the correct location for the Module, insert the machine screws from the rear through the four holes in the heatsink and then through the holes in the thermal sheet.
- (3) Carefully slide the Band Module into place so that the mounting feet on the Module fit into their slots in the chassis.

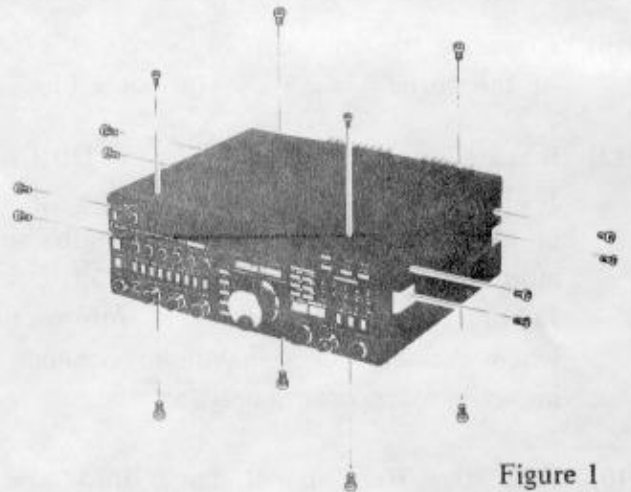


Figure 1

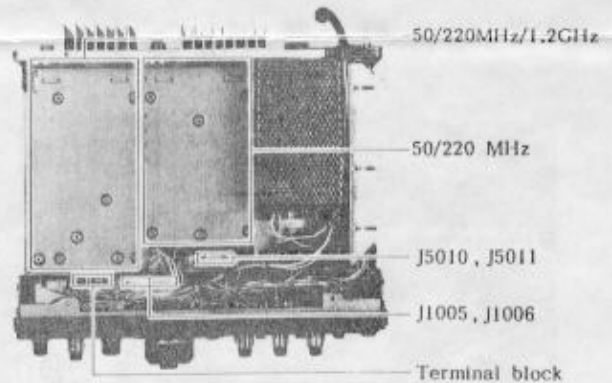


Figure 2

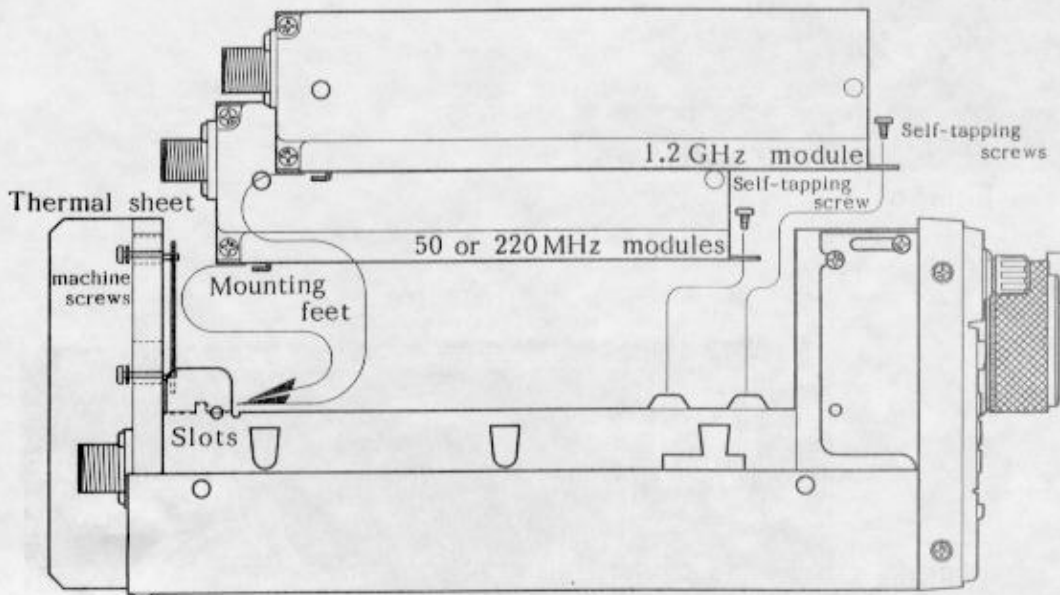


Figure 3

YAESU MUSEN CO., LTD.
C.P.O. BOX 1500
TOKYO, JAPAN

- (4) Tighten the four machine screws, and install one self-tapping screw (for 50 or 220 MHz modules: two for the 1.2 GHz module) through the hole(s) near the front of the module into the chassis.
- (5) Loosen the two front panel mounting screws on each side, and fold the front panel upwards.
- (6) Connect the single red wire to either of the terminals on the terminal block.
- (7) Install the 13-pin plug into J5010 or J5011, and the 10-pin plug into J1005 or J1006. Make a note of which band modules are connected to J5010 and J5011. You will need this information when connecting a masthead preamp or an external power amplifier.
- (8) Fold the front panel back into place, tighten its screws, and replace the covers and carrying handle.

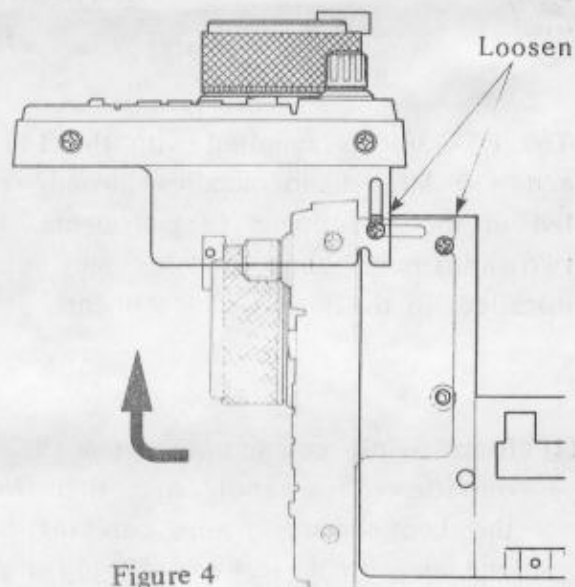


Figure 4

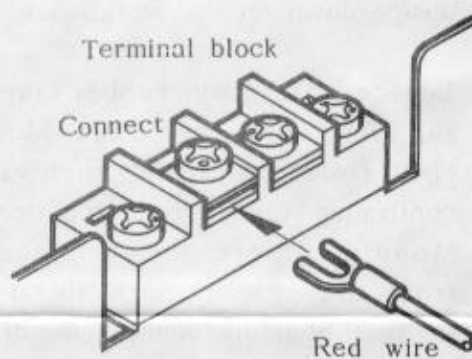


Figure 5

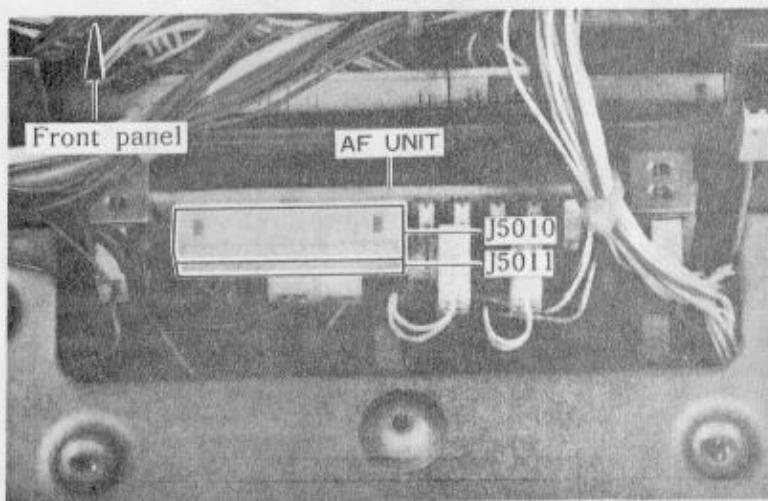


Figure 6

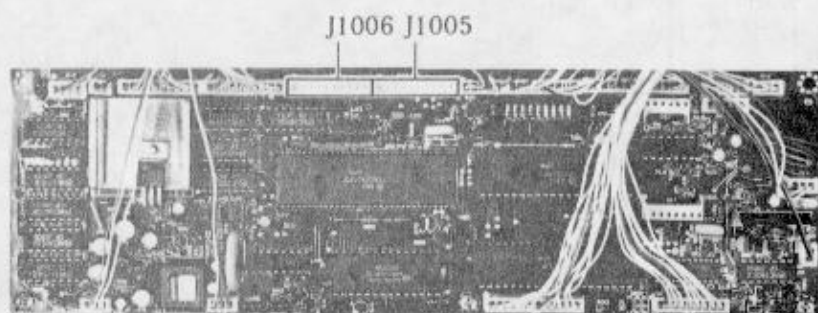
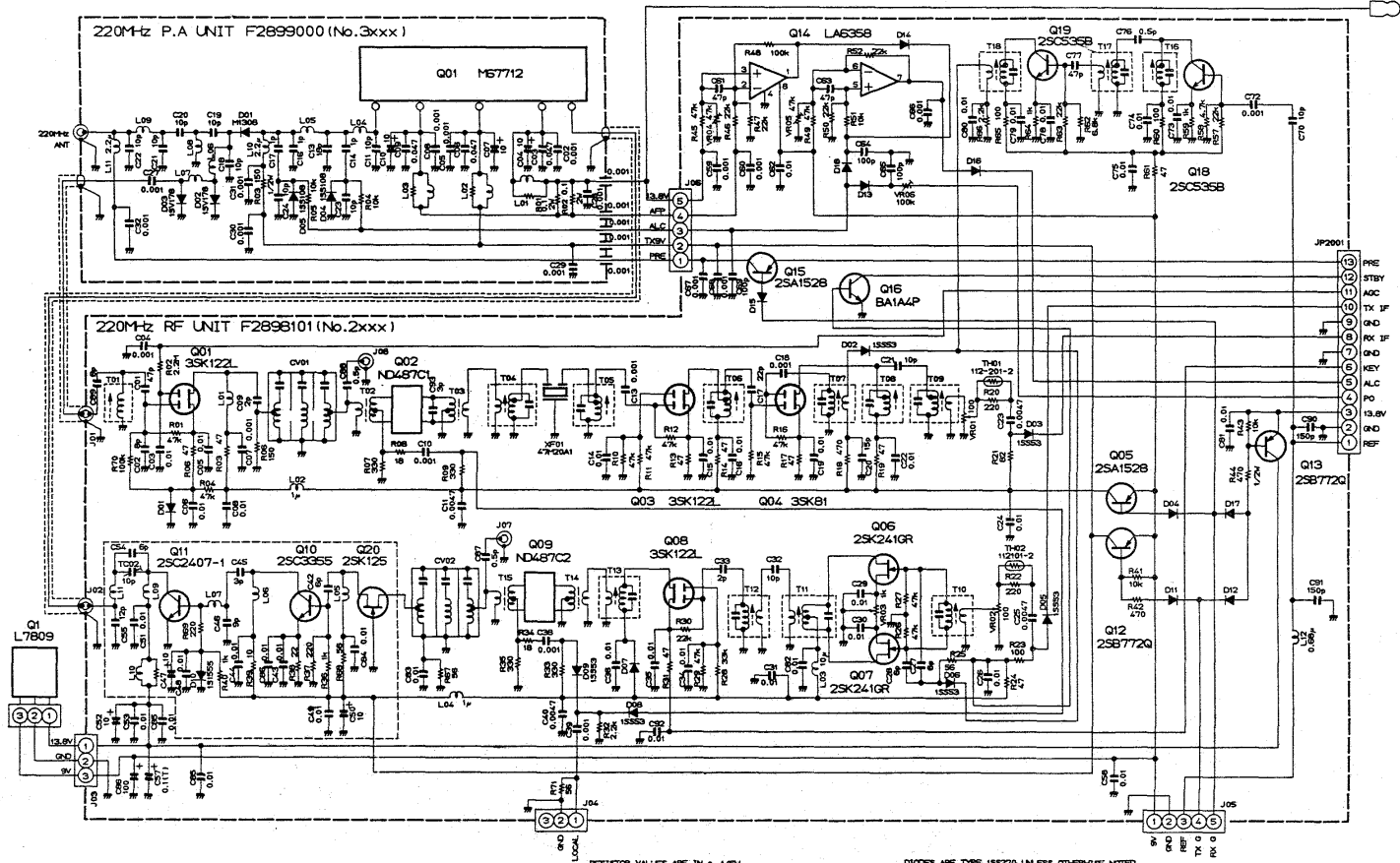


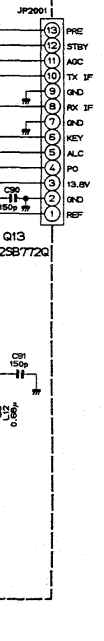
Figure 7

CNTL UNIT

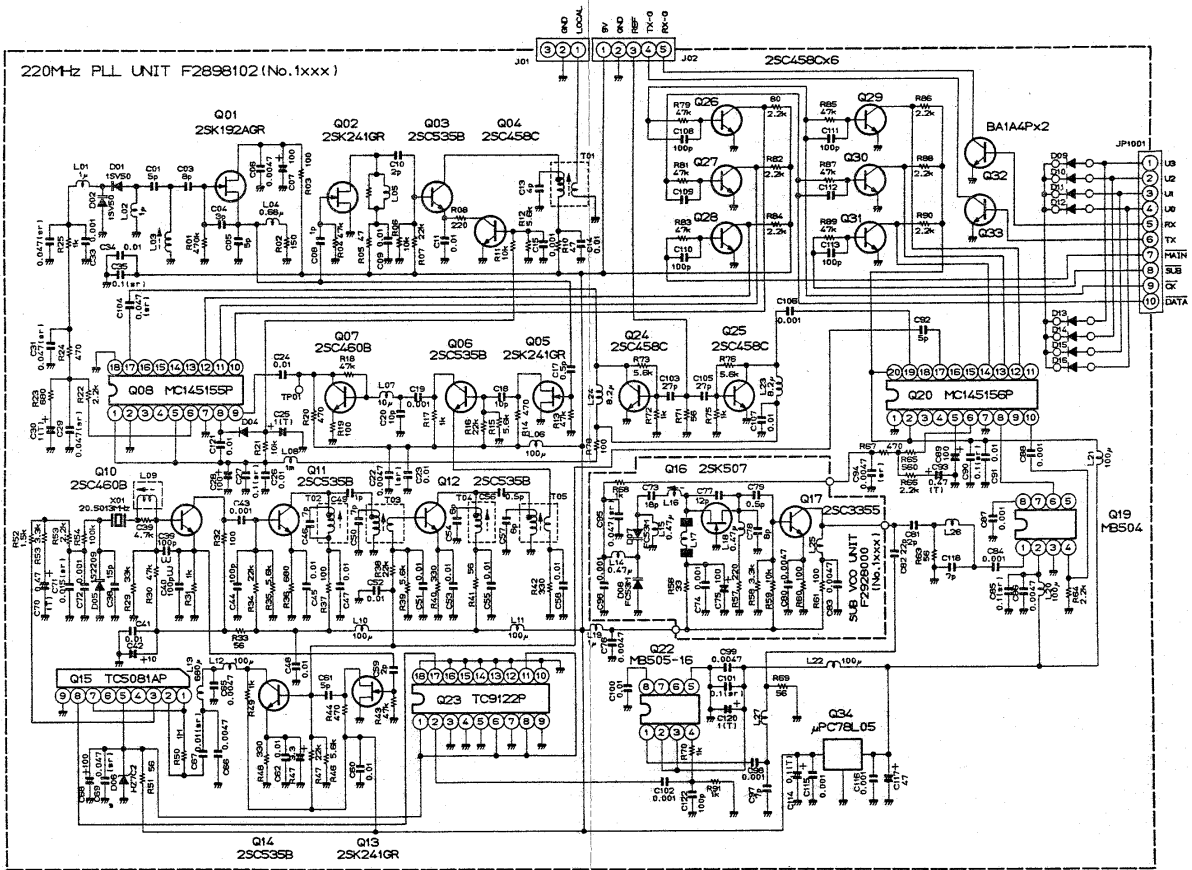


RESISTOR VALUES ARE IN Ω , μ W
 CAPACITOR VALUES ARE IN μ F
 INDUCTOR VALUES ARE IN HENRIES, UNLESS OTHERWISE NOTED.

DIODES ARE TYPE 1S5270 UNLESS OTHERWISE NOTED.
 (T) CAPACITORS ARE TANTALUM.
 (C) CAPACITORS ARE SEMICONDUCTOR CERAMIC, 25WV.



220MHz PLL UNIT F2898102 (No. 1xxx)



RESISTOR VALUES ARE IN Ω , 1/8W:

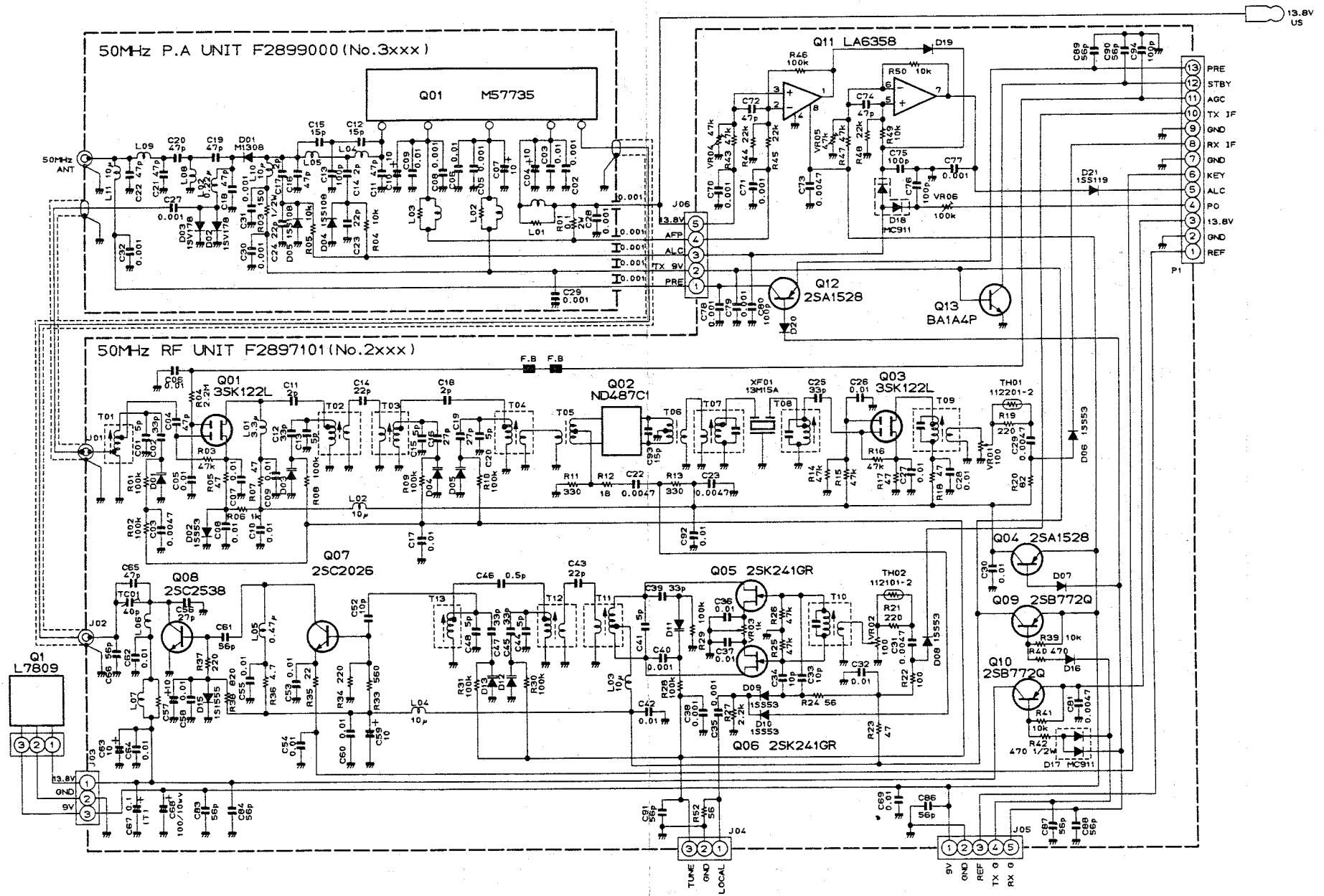
CAPACITOR VALUES ARE IN μ F:

INDUCTOR VALUES ARE IN HENRIES, UNLESS OTHERWISE NOTED.

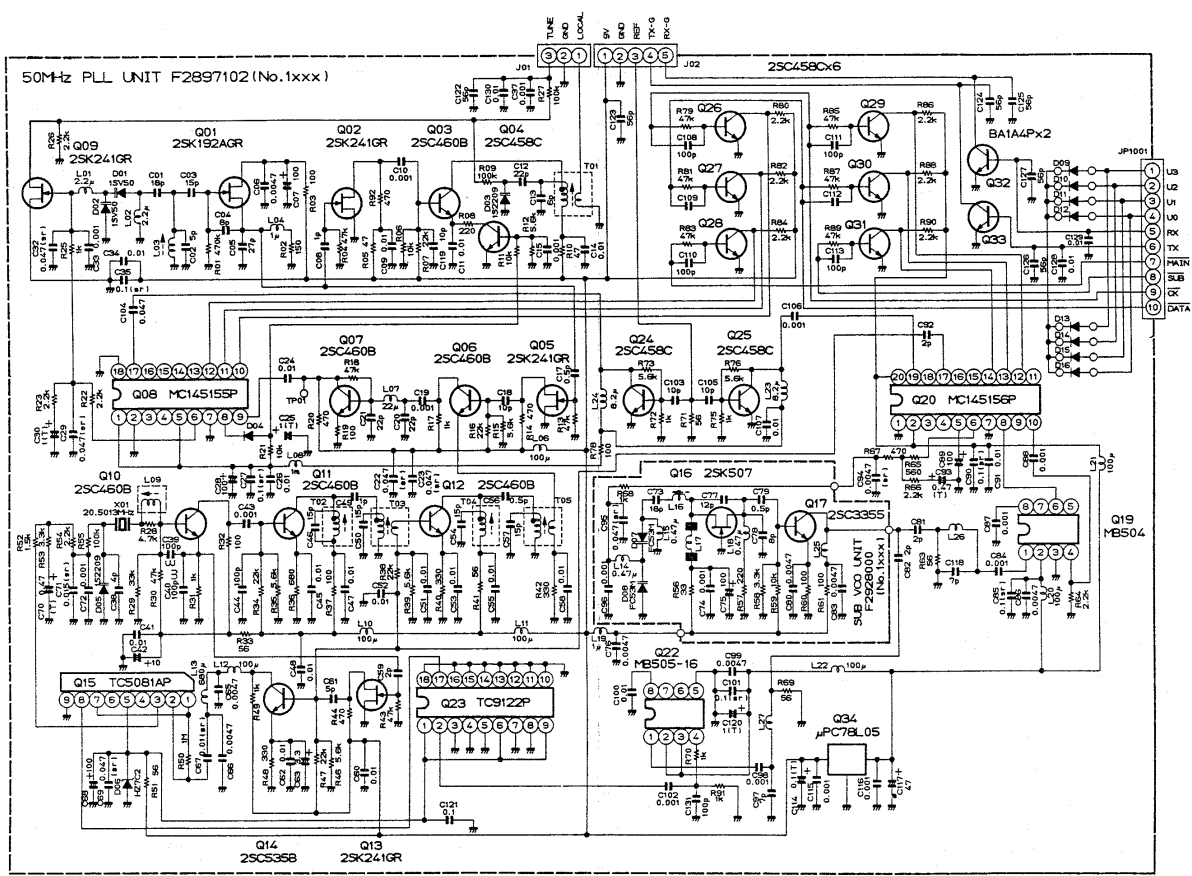
DIODES ARE TYPE 1SS276 UNLESS OTHERWISE NOTED.

TC CAPACITORS ARE TAIYUJIN:

1 μ F CAPACITORS ARE SEMICONDUCTOR CERAMIC, 25V:



RESISTOR VALUES ARE IN Ω , 1/6W:
 CAPACITOR VALUES ARE IN μ F.
 INDUCTOR VALUES ARE HENRIES.
 DIODES ARE TYPE 155270 UNLESS OTHERWISE NOTED.
 (T) CAPACITORS ARE TANTALUM.



50M-Hz PLL UNIT F2897102 (No.1xxx)

RESISTOR VALUES ARE IN Ω, 1/KΩ;
 CAPACITOR VALUES ARE IN μF.
 INDUCTOR VALUES ARE IN HENRIES, UNLESS OTHERWISE NOTED.

DIODES ARE TYPE 1SS270 UNLESS OTHERWISE NOTED.
 (†) CAPACITORS ARE TANTALUM.
 (1μ) CAPACITORS ARE SEMICONDUCTOR CERAMIC, 25V+.

- 16 DATA
- 15 OR
- 14 SUB
- 13 TX
- 12 MAIN
- 11 RX
- 10 U0
- 9 U1
- 8 U2
- 7 U3
- 6 U4
- 5 U5
- 4 U6
- 3 U7
- 2 U8
- 1 U9