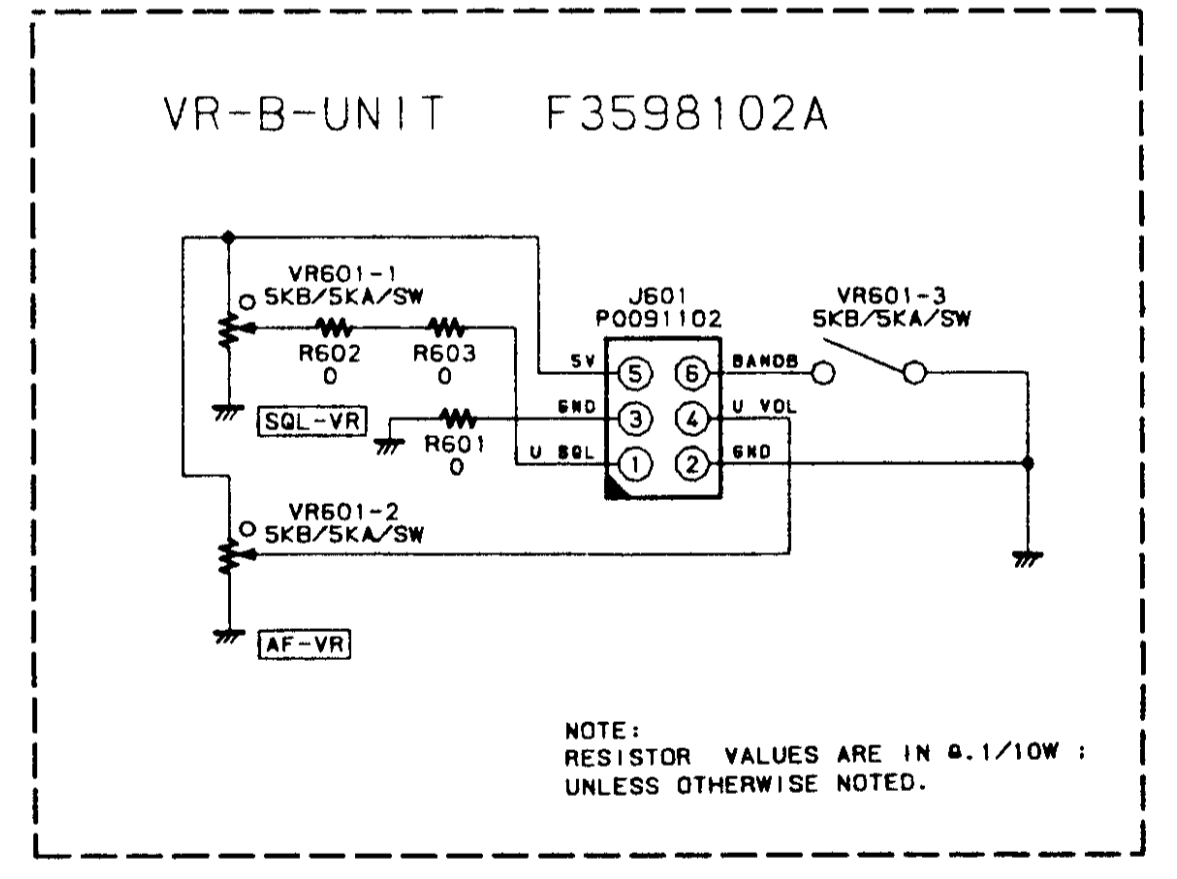
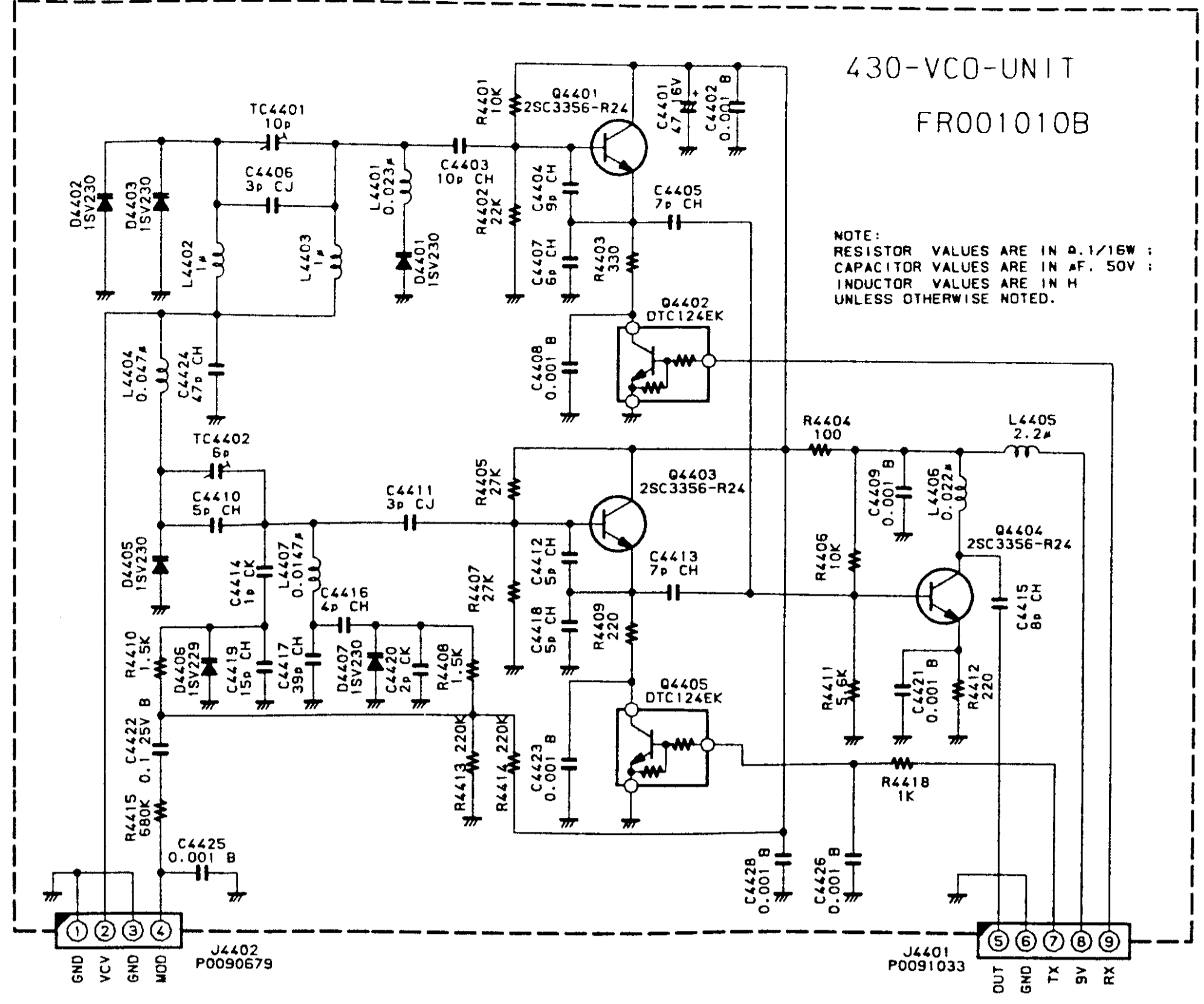
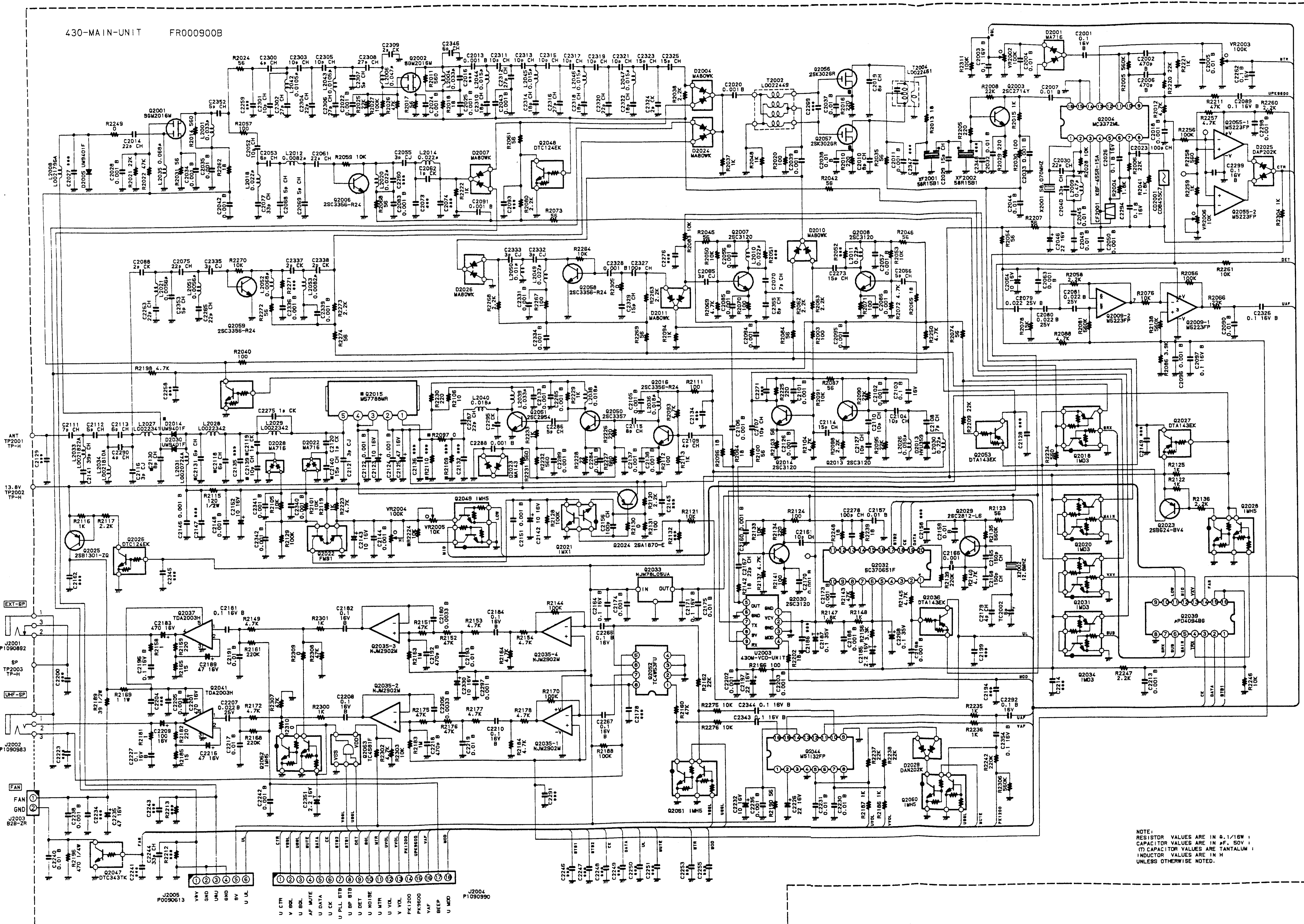
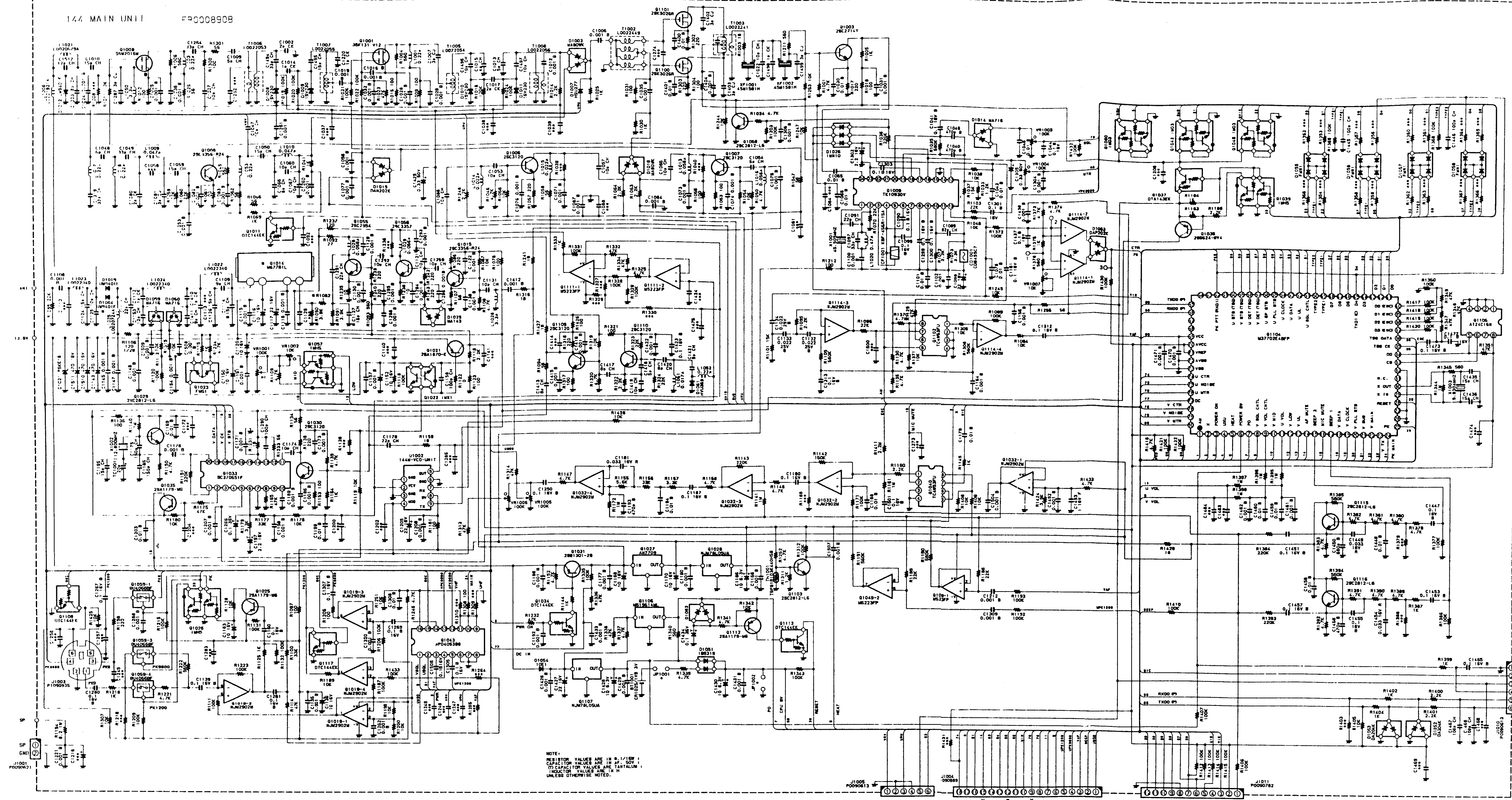


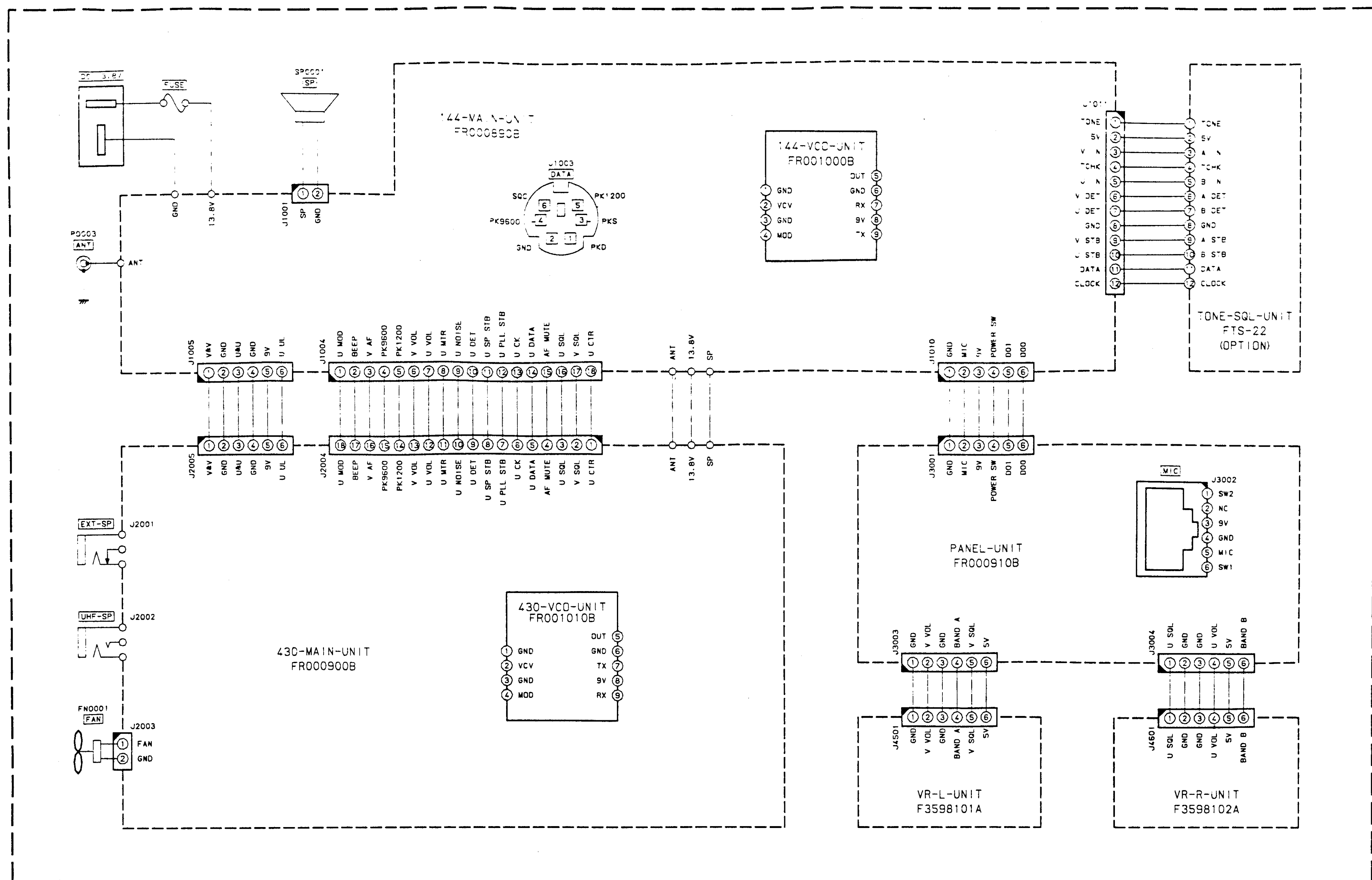
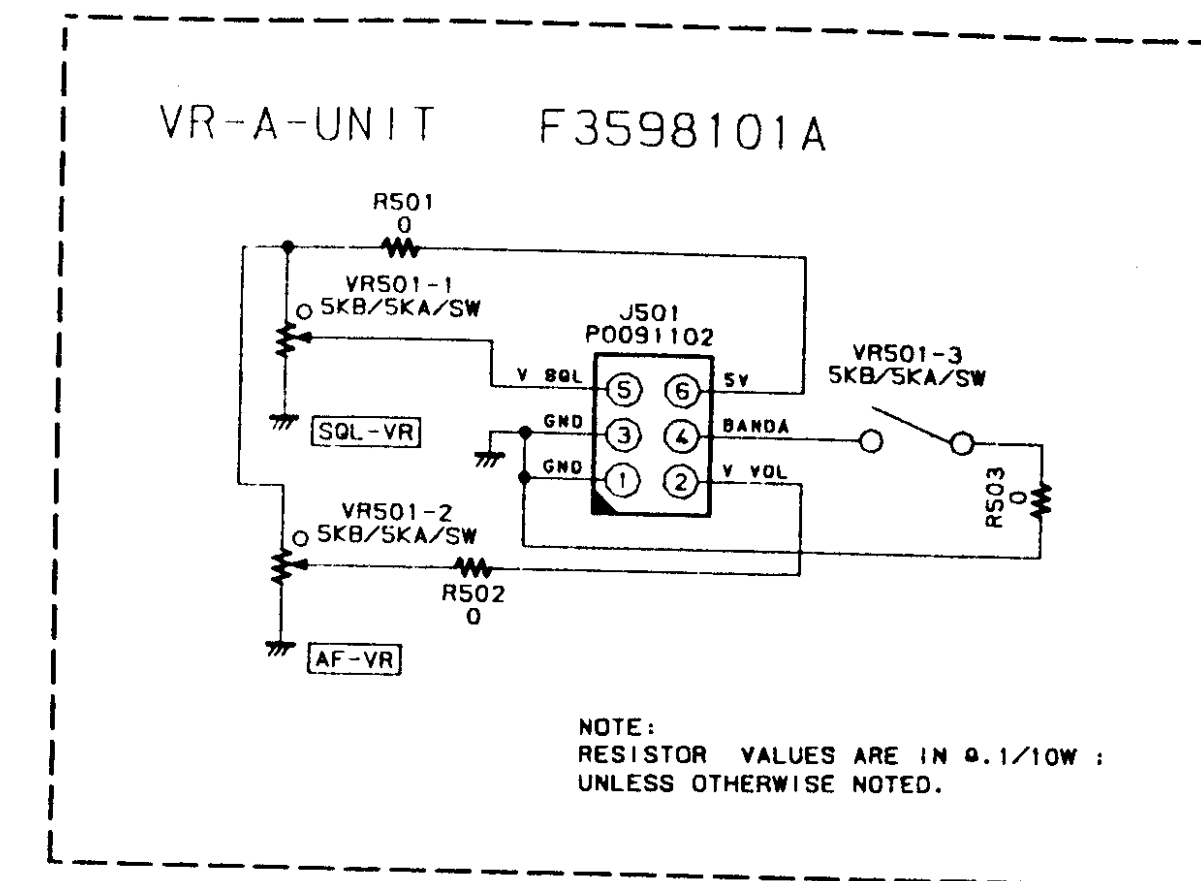
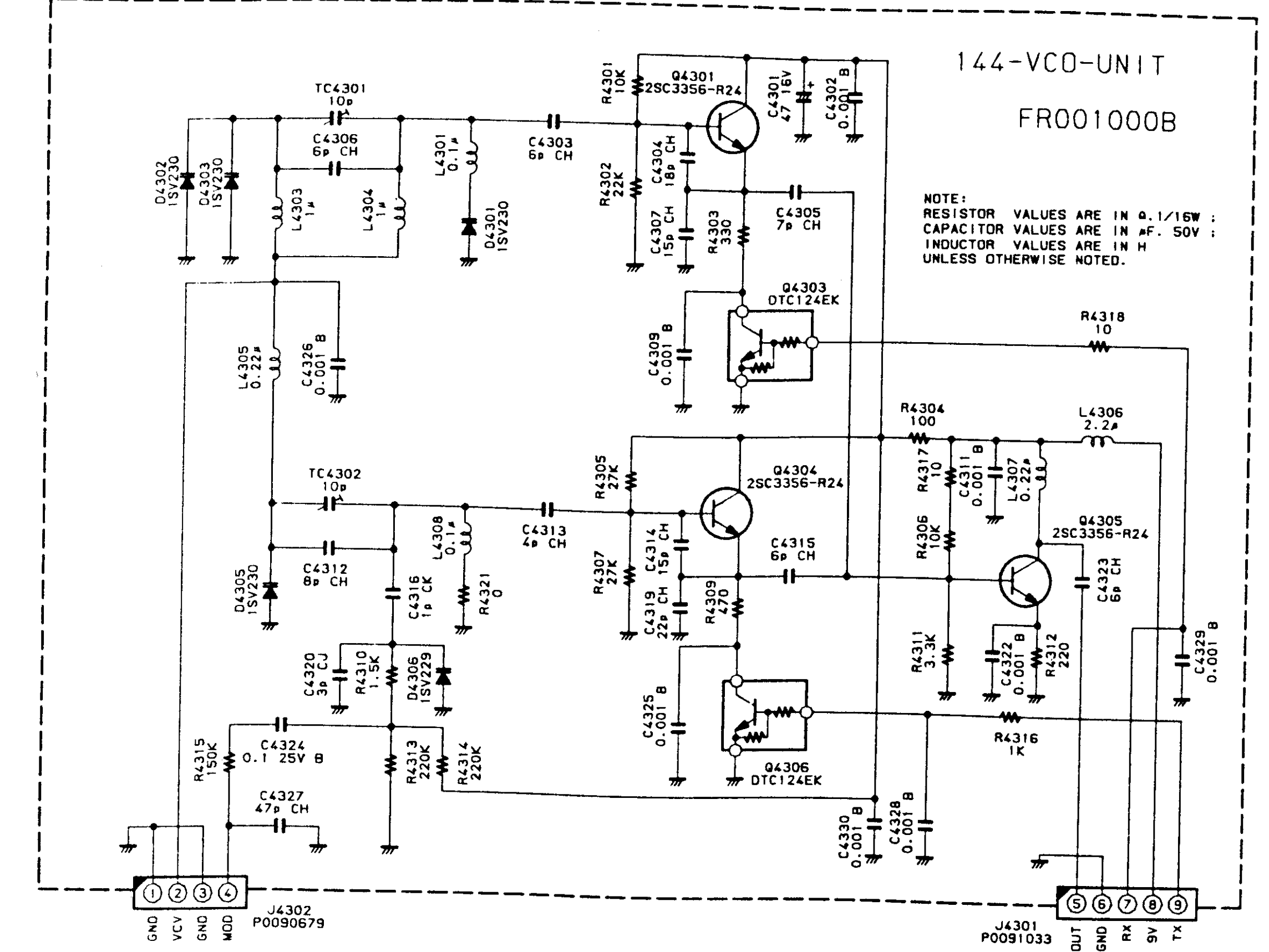
430-MAIN-UNIT FR000900B

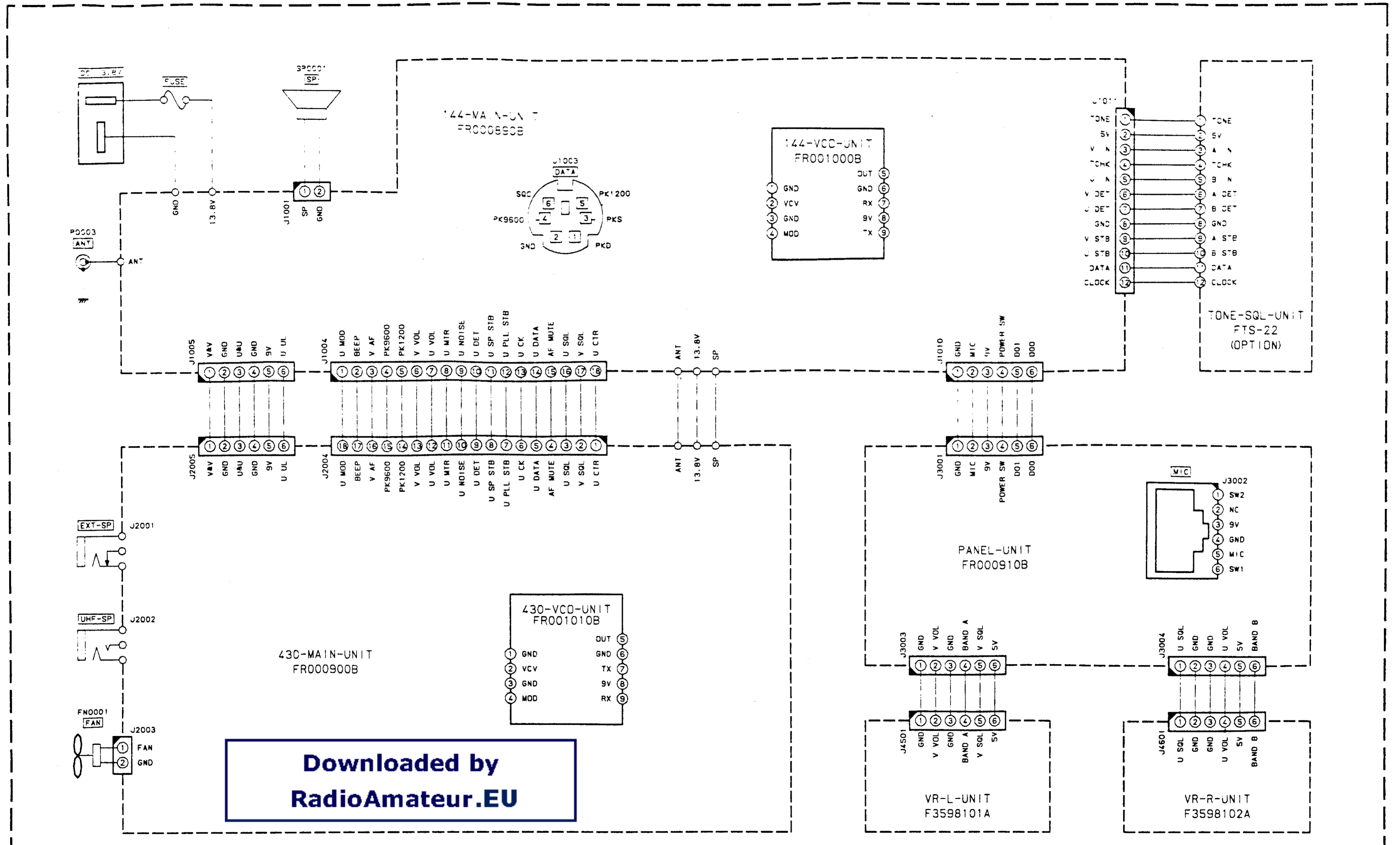


Downloaded by  
RadioAmateur.EU



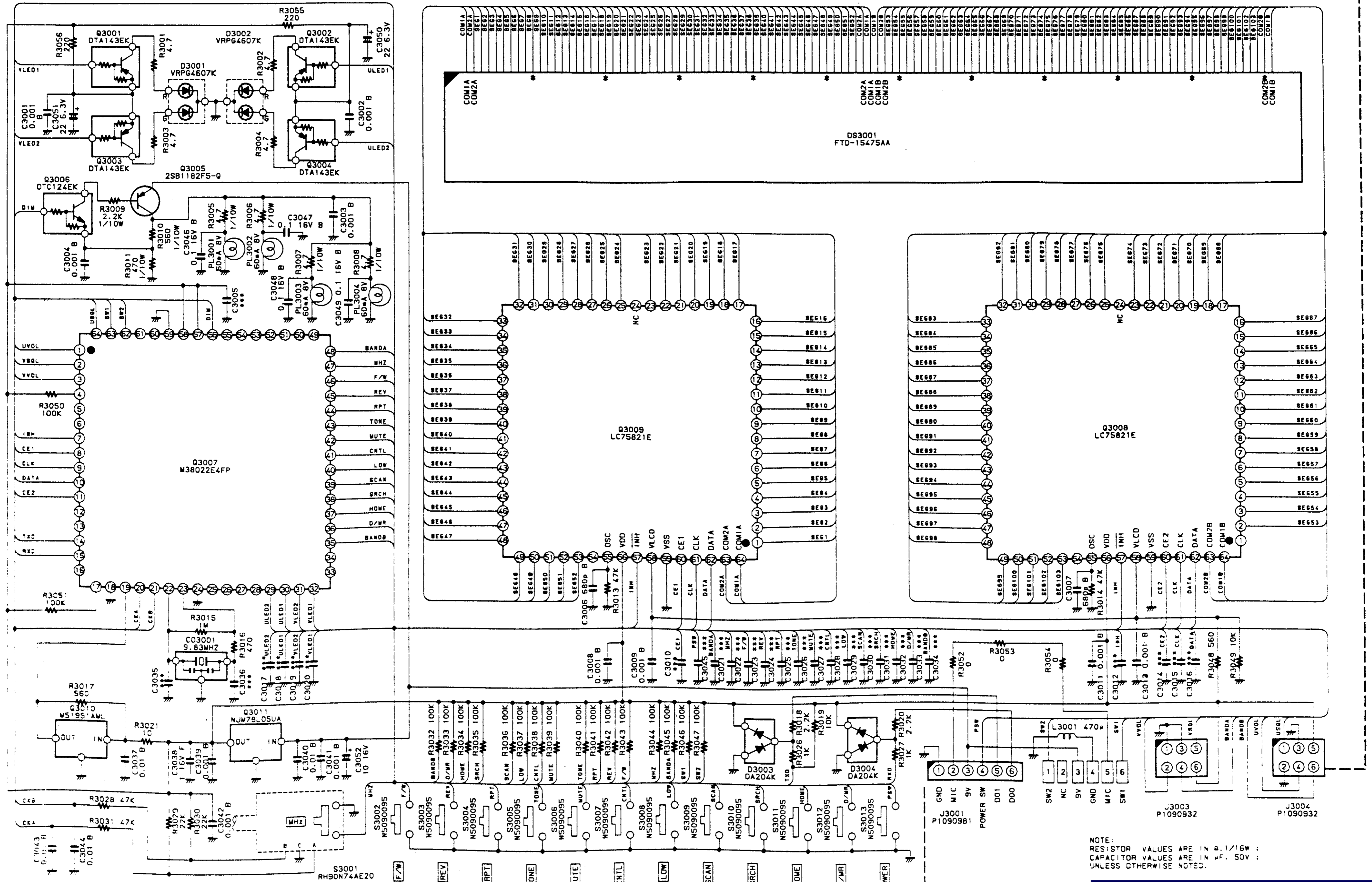
POP	50
C1174	10P
C1176	10P
C1177	10P
C1183	10P
C1411	50
C1064	10000P
C1014	50000P
C1080	10000P
R1080	1.0K
R1091	1.0K
R1108	1.0K





**Downloaded by  
RadioAmateur.EU**

PANEL-UNIT FR000910C



NOTE:  
RESISTOR VALUES ARE IN Ω, 1/16W ;  
CAPACITOR VALUES ARE IN μF, 50V ;  
UNLESS OTHERWISE NOTED.