



PLUG PL-68

TIP

SWITCH SW-109

RING

CAPACITOR

SLEEVE

BLACK

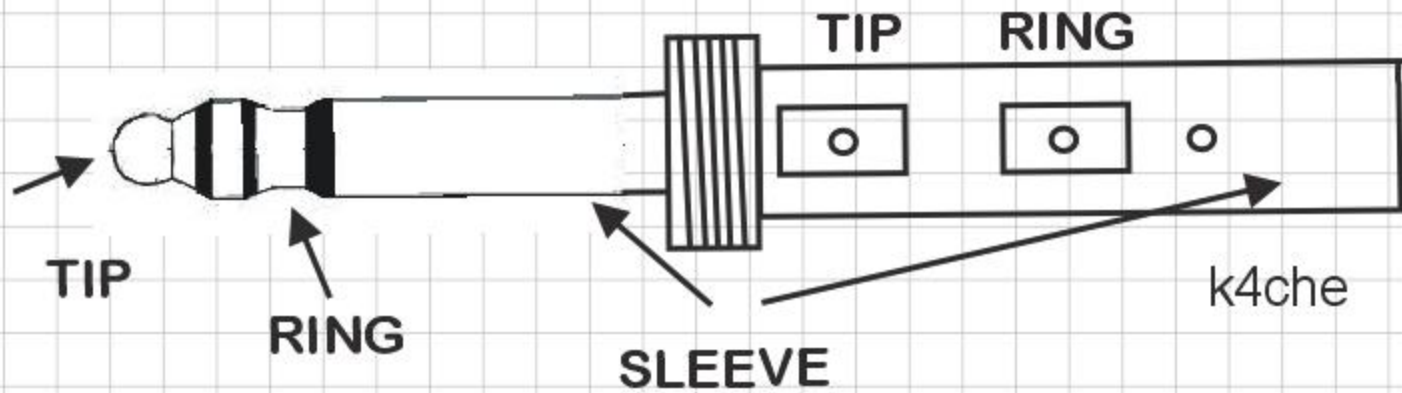
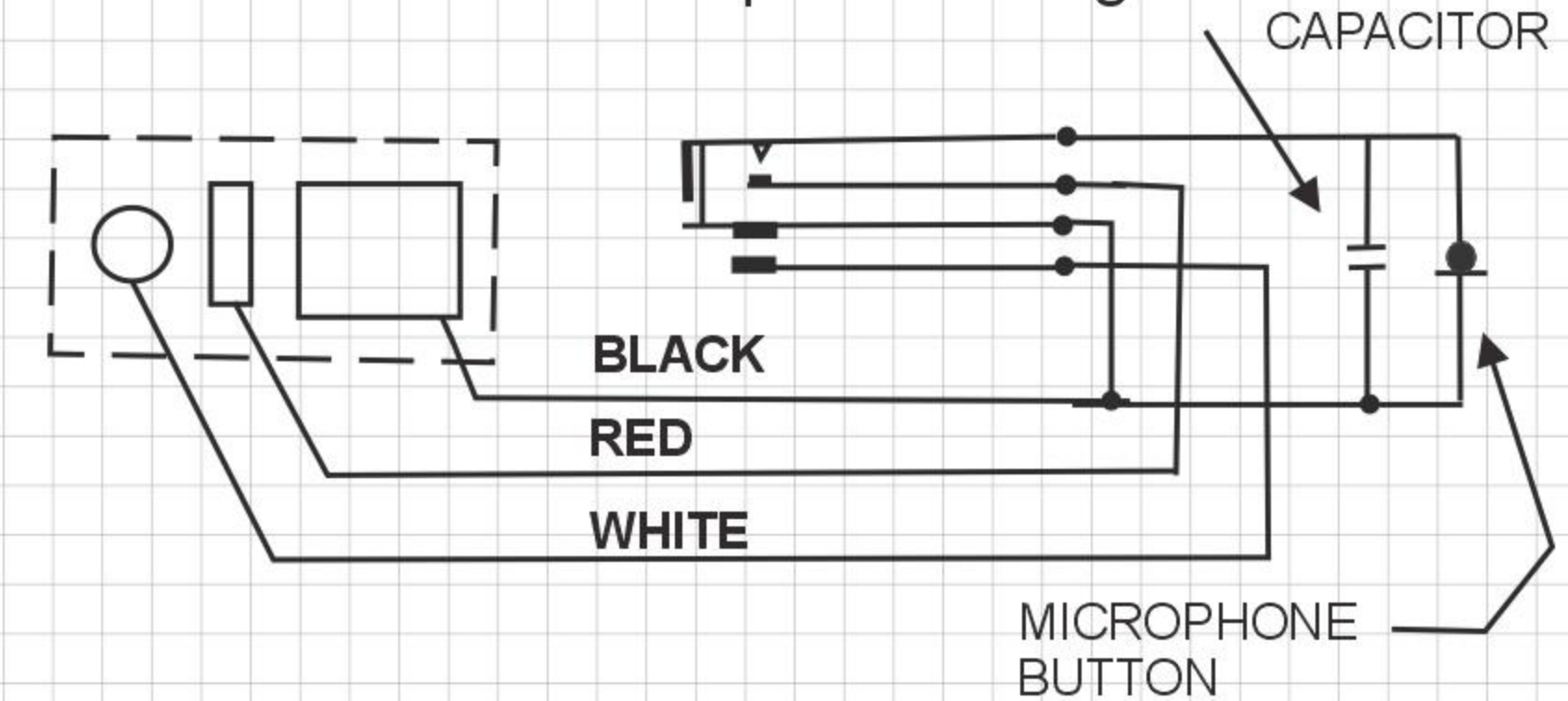
RED

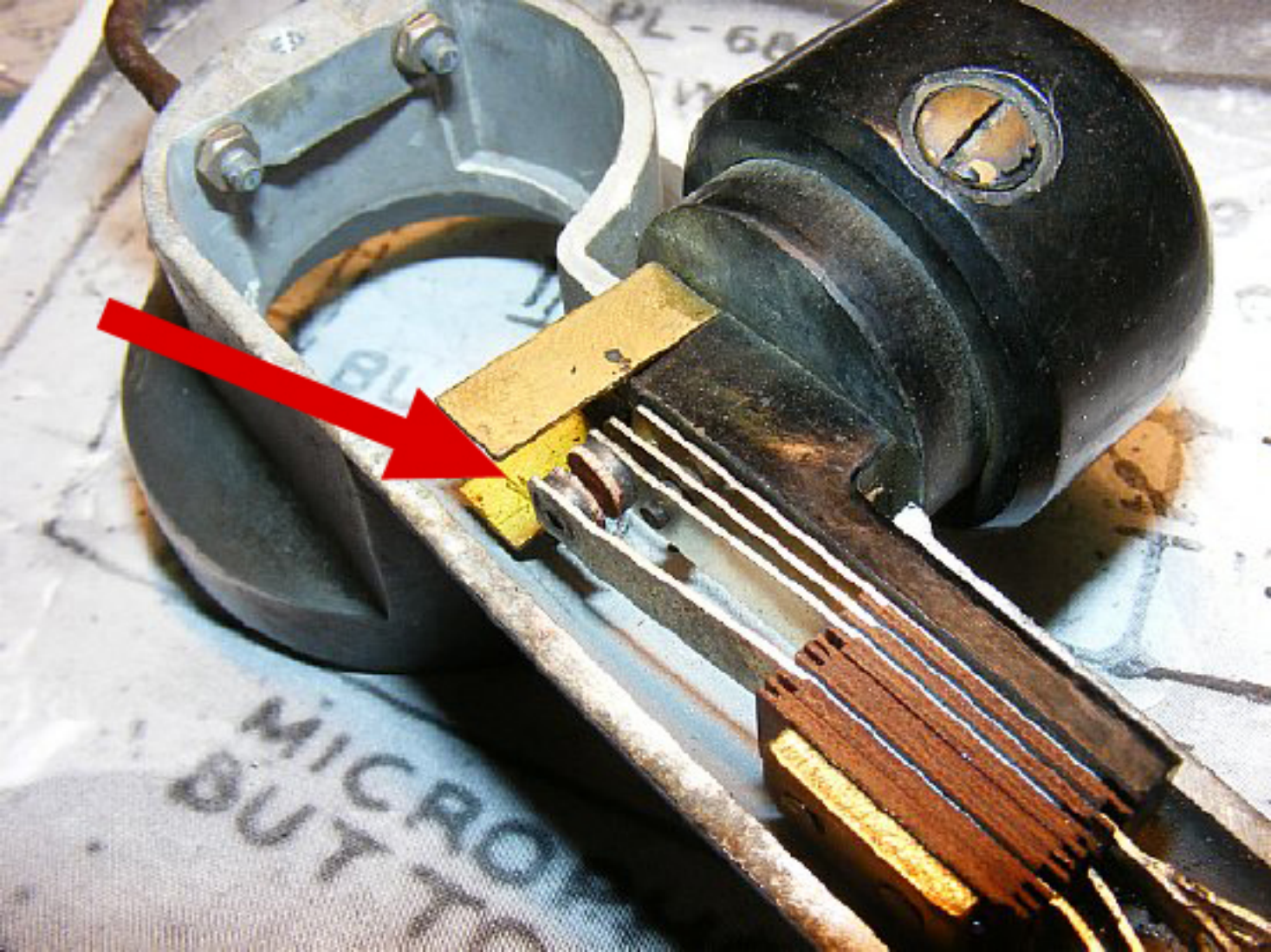
WHITE

MICROPHONE  
BUTTON

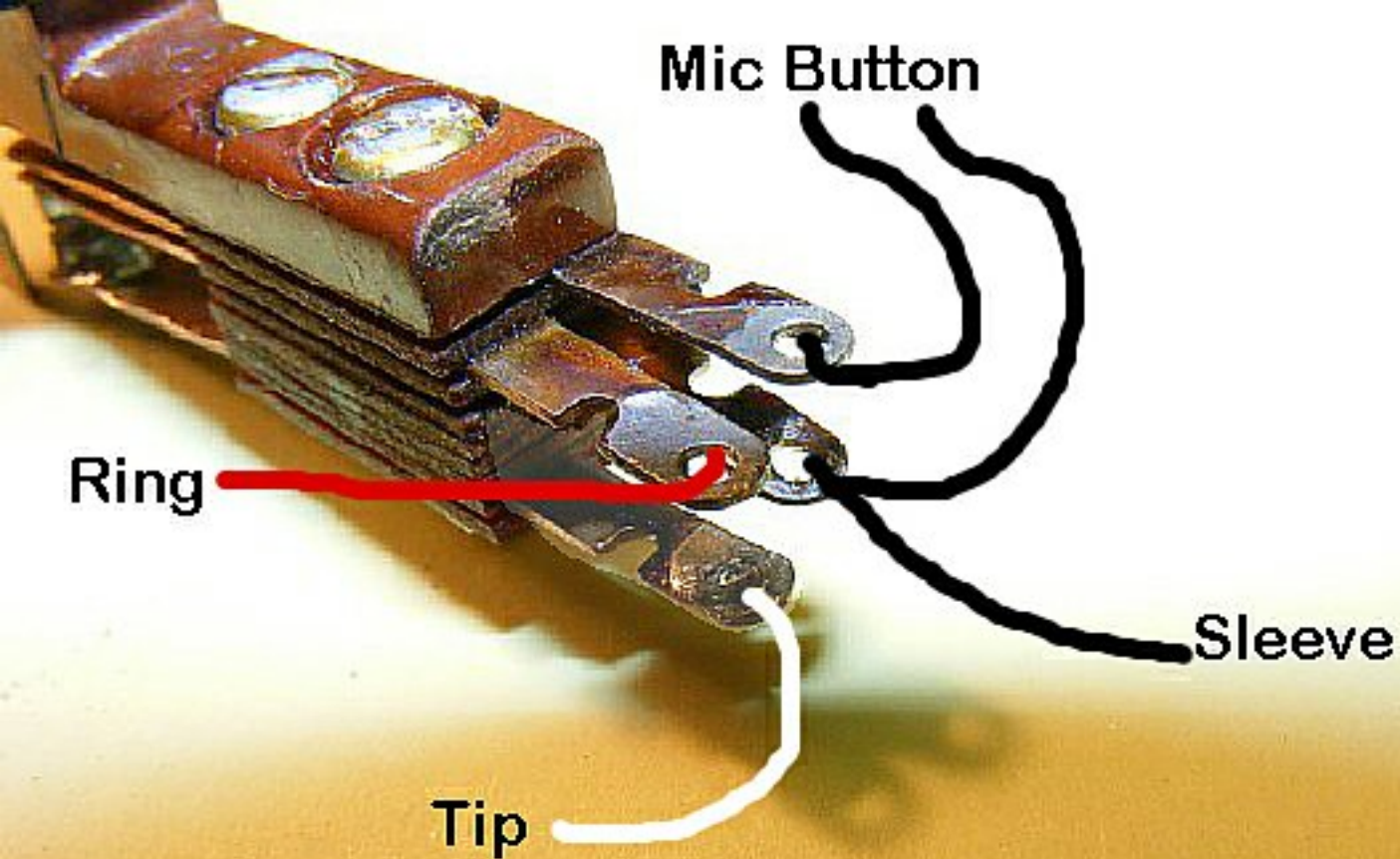


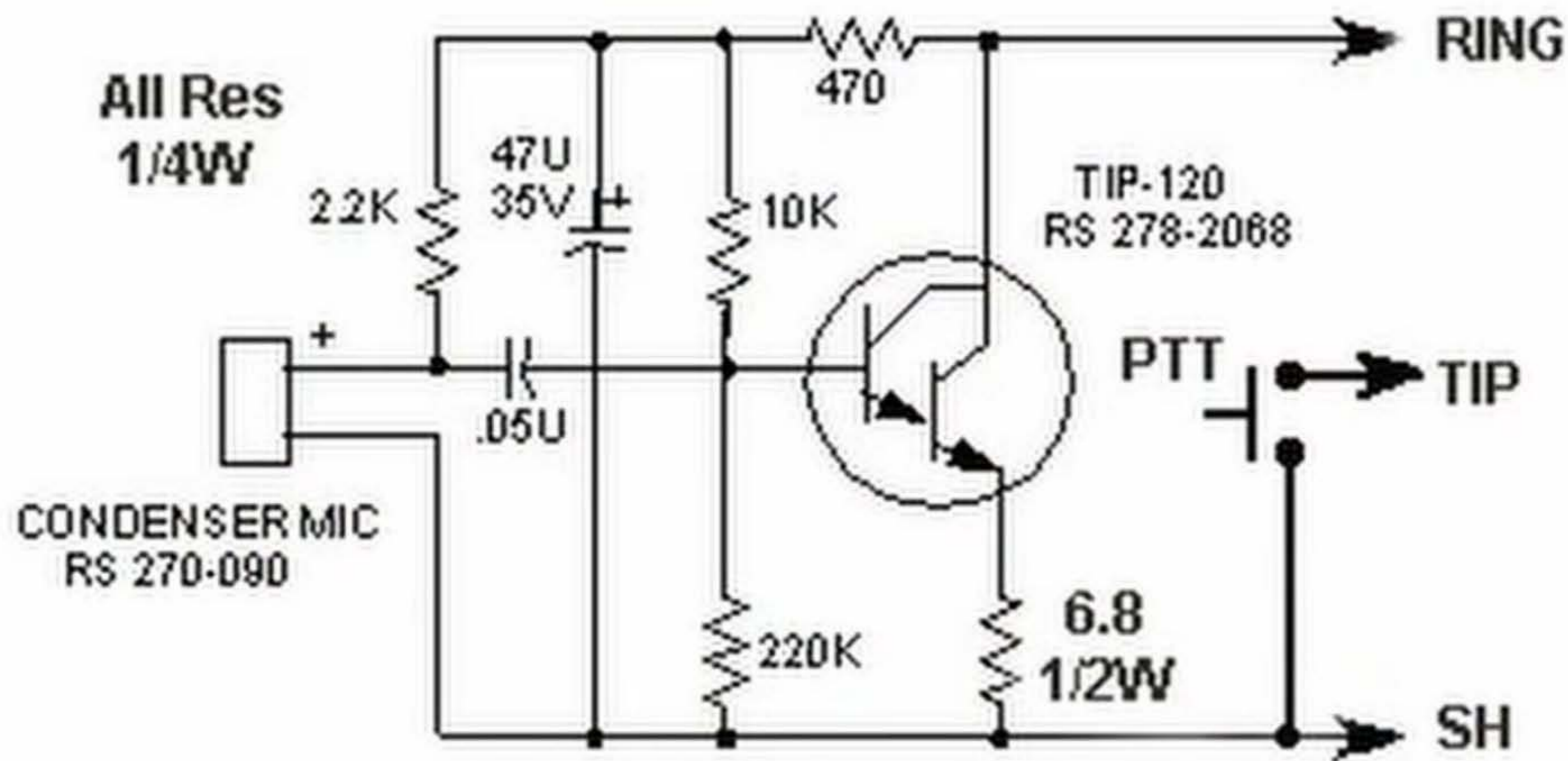
# T-17 Microphone Wiring



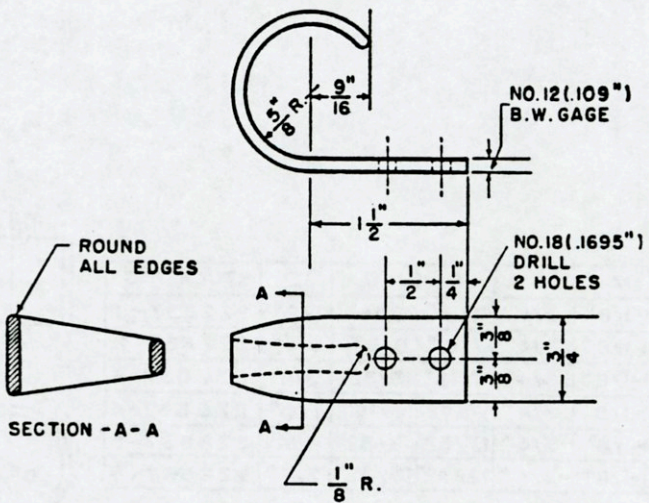


MICRO  
BUT





T-17 CARBON MIC REPLACEMENT



HOOK  
 STEEL - ELECTROGALVANIZE

TL - 13320

Figure 15. Hook.