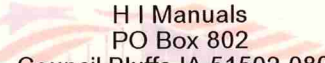


**DELUXE ACCESSORY
CONSOLE**

(102164)

 HI Manuals
PO Box 802
Council Bluffs IA 51502-0802

INSTRUCTION MANUAL

DELUXE ACCESSORY CONSOLE

SECTION I

- 1-1 Unpacking--Damage, hidden and apparent

SECTION II

- 2-1 Antenna connections
- 2-2 Speaker connections
- 2-3 Microphone connections
- 2-4 Illumination connections
- 2-5 AC line connections
- 2-6 Telephone connections

SECTION III

- 3-1 Panel controls and their use
- 3-2 Using the SWR bridge
- 3-3 Using the phone patch
- 3-4 Setting the clock

SECTION IV

- 4-1 Schematic
- 4-2 Parts list

SECTION V

- 5-1 Service and returns
- 5-2 Returning parts and equipment for service or replacement

SECTION VI

- 6-1 Warranty

SECTION I

1-1 It is assumed the purchaser has the unit removed from the carton by the time this manual has been read. NOTE! Some tubes and parts may be packed internally and other precautions will be necessary before attempting to apply power. Take notice of any notes or tags relating to parts packaging.

DAMAGE: This equipment has been carefully packed for safe arrival IF PROPERLY HANDLED EN ROUTE.

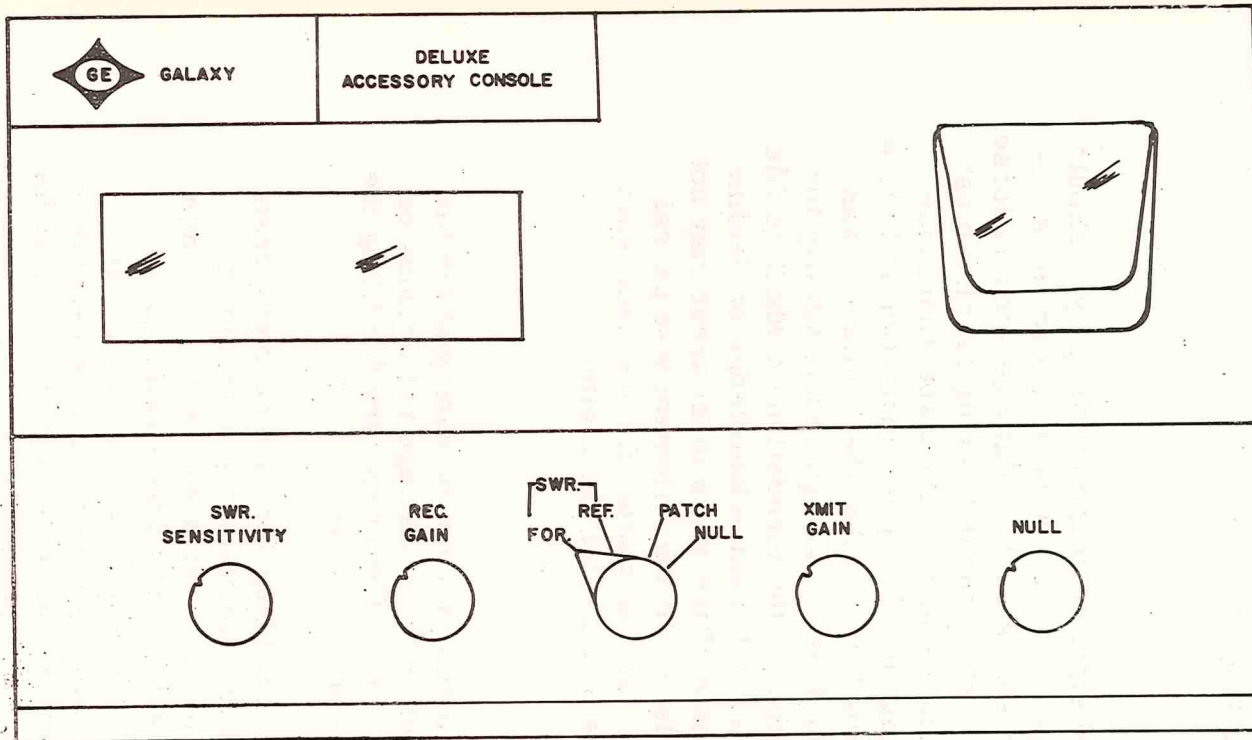
(a) OBVIOUS DAMAGE

If the carton showed signs of rough handling, you should have made such notation on the delivering carrier's receipt. If inspection shows obvious damage such as loose parts, broken parts, etc., the delivering carrier must be contacted immediately and a joint inspection made with this carrier's agent. The joint inspection is NOT a claim but an acknowledgement that the equipment was damaged. The form does not assign responsibility for the damage, but prepares the foundation on which to file a claim. The carrier will then acknowledge or decline the claim at their main office and a local agent may not decline to enter a claim. If the shipment was parcel post, contact your local postmaster for the necessary forms and he will help you enter the claim.

(b) HIDDEN DAMAGE

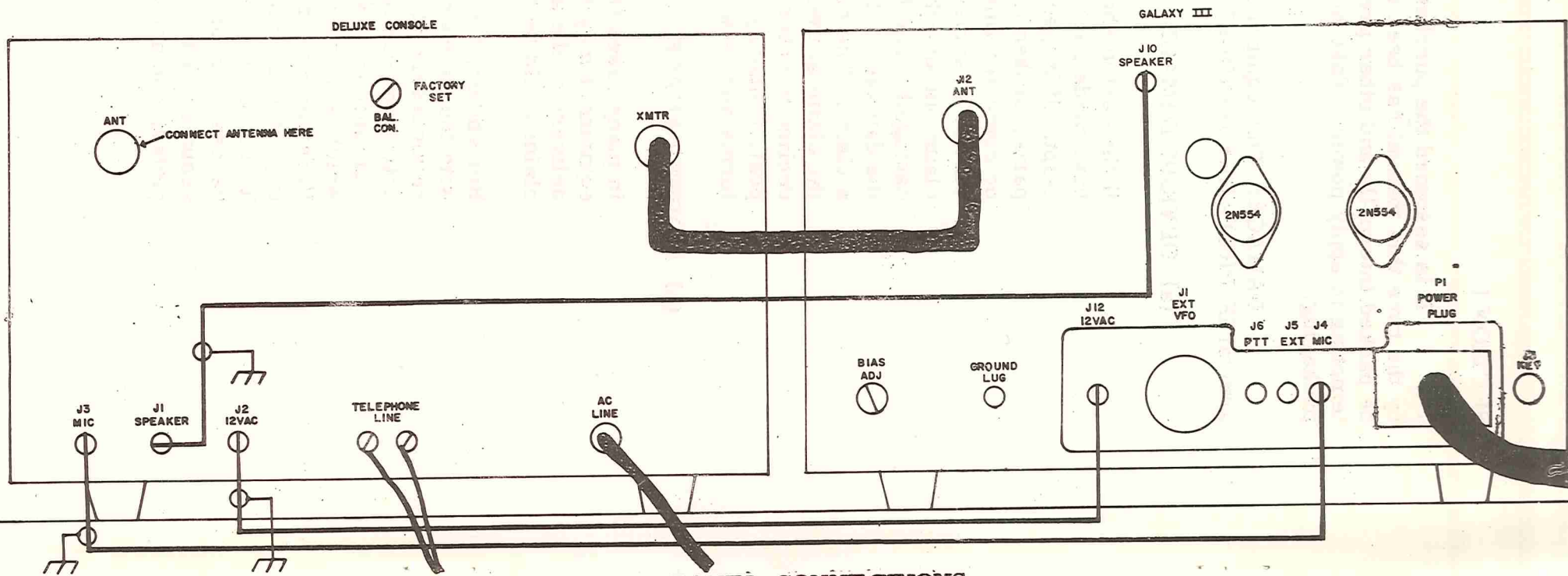
In many cases the carton may not be damaged but the equipment may suffer internal damage not obvious on delivery of the shipment. The procedure for filing the claim would be the same as above.

Remember, the responsibility for safe delivery rests with the carrier. The responsibility in obtaining reimbursement for damage rests with YOU. Prompt action on your part will speed adjustments. Our warranty in no way covers malfunction or damage which is a result of improper handling by a carrier. Under no circumstances should you return merchandise to your dealer before instigating the necessary forms. To do so can jeopardize your investment and the costs of necessary repairs may be a burden you will have to assume. After joint inspection forms have been completed, contact your dealer for assistance.



PANEL CONTROLS

Page 4



REAR PANEL CONNECTIONS.

SECTION II

2-1 On the rear panel of the DELUXE ACCESSORY CONSOLE, there are two coax antenna connectors which accept standard PL-259 coax plugs. The antenna lead should be 52 Ohm coaxial cable and connect to the fitting marked ANT. The other coax fitting on the Console, marked XMTR, will be connected to the transceiver, unless the operator uses a linear, in which case the connection is to the output of the linear and then the input of the linear goes to the output of the transceiver. The linear must contain internal provisions to switch the antenna back direct to the exciter under receive conditions.

2-2 The Console speaker jack, J1, connects to the internal speaker. Connect to GALAXY speaker jack, J10.

2-3 The MIC. jack, J3, on the rear of the Console is to be connected to the transceiver MIC. jack, J4, located on the rear of the GALAXY. This is for connection of the patch to the transceiver to modulate when the patch is used.

2-4 The 12 VAC connection, J2, on the rear of the Console goes to the 12 VAC connection on the rear of the transceiver J12, and serves to illuminate the meter in the Console.

NOTE: For the above connections, four cables with plugs are supplied.

2-5 AC line is a standard line and plug for connection to 115 VAC- 60 Cy., and is not switched off, since this would stop the clock.

2-6 A connection to the telephone line is made (wire not provided) with any two conductor wires (unshielded), such as lamp cord, etc. The connection on the Console is the two screw terminal, and the connection is made to the wiring block near all home phones. In MOST lines you will connect to the red and green wires. Normally you will not connect to yellow or black wires at the phone terminal block. If the color code varies, it will be necessary to test for the phone line, which can be done by listening across a pair of phone wires with a headset having a capacitor of about .1 MFD in series with each headphone lead. When across the correct pair of wires the conversation can be heard.

SECTION III

3-1 The panel controls are: FUNCTION SWITCH; GAIN for both receiver and transmitter; NULL for the patch; and SENSITIVITY for the SWR bridge.

3-2 The SWR bridge is operative whenever the FUNCTION switch is set on FOR. (forward power) or REF. (reflected power) positions. NOTE: The bridge is highly accurate, but greatest accuracy occurs with high power.

SECTION III (Con't)

3-2 Therefore, we recommend the user place the transceiver on TUNE power when using the bridge, rather than a lower power. To obtain a SWR reading, first set the FUNCTION switch on FOR, and turn the SENSITIVITY control fully counter-clockwise. Place the transceiver on TUNE power and tune and load it as specified for proper adjustment per its manual. Now, slowly turn the SENSITIVITY control clockwise until the meter reads full scale exactly. Now, just turn the FUNCTION switch to REF. and read SWR on the proper scale of the Console meter.

3-3 NOTE: The FUNCTION SWITCH SHOULD NOT be left on PATCH or NULL positions except when using the patch,

Normally, the NULL position is set only when the unit is first used as a phone patch. This can be done simply by calling a friend locally, and with the phone line in use, setting the FUNCTION switch to NULL and adjusting the NULL control for MINIMUM meter reading. Once this has been done it normally need not be set again, UNLESS you live in a rural area that uses open wire phone lines, in which case it MIGHT be necessary to NULL each time the patch is used. In metropolitan area, the phone lines are terminated and a constant line resistance will appear on your phone line at all times.

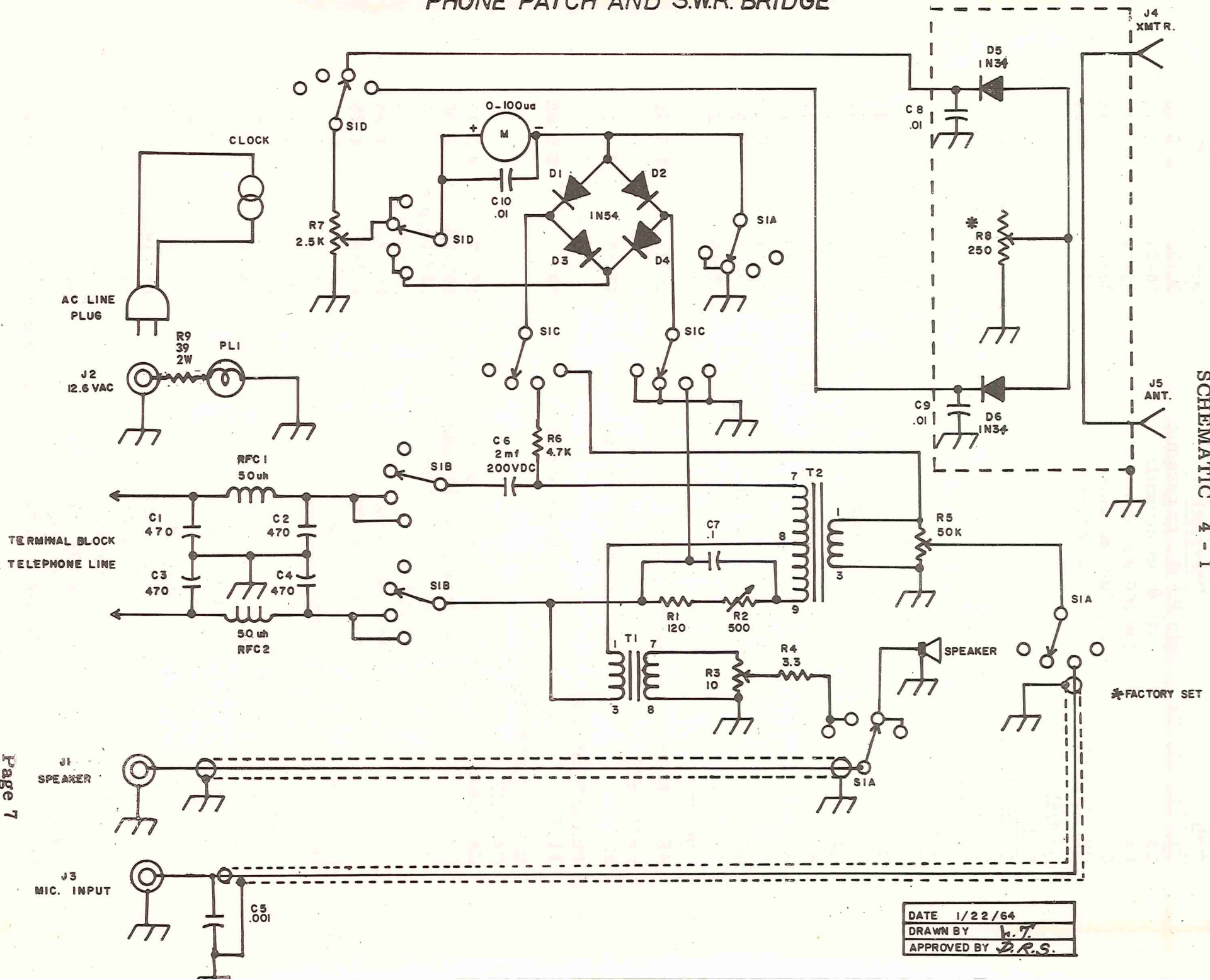
First, the transceiver microphone and audio volume controls should be set at the levels you normally use without the patch. Set both Console GAIN controls to minimum (counter clockwise). Make a phone call to the desired person before you set the FUNCTION switch on PATCH. After the call is completed and you have the desired signal on the receiver, set the Console to PATCH, and slowly increase the Console REC. GAIN until the person on the phone can hear the conversation clearly, however, under no circumstances should REC. GAIN be set so the Console meter reads higher than -5DB. You will cause interference on the phone line when the Console meter reads as high as 0 DB. Now, increase the Console XMIT GAIN until the person on the phone reliably trips the VOX in the transceiver. It should be noted that the person on the phone must speak loud and close to their phone to cause reliable operation. A point will be reached where the XMIT GAIN is set too high and the transceiver VOX will chatter. The only solution to this is either reduce REC. GAIN or increase ANTI-VOX in the transceiver. Remember, keep GAIN setting so the meter does not read over -5 DB, and under no circumstances, above 0 DB.

If your transceiver does not have VOX, then you must turn the transceiver off and on with the regular PTT on your microphone, however, this eliminates the more desirable break-in advantage of VOX operation.

When the patch is being used, the speaker in the Console is disconnected and the operator of the station should listen and speak into his telephone set as well as the other party on the line using the phone.

3-4 The clock is set by flipping the numerals of the clock with the eraser end of a wood pencil. A cut-out is provided in the bottom of the Console cabinet for this purpose.

PHONE PATCH AND S.W.R. BRIDGE



SECTION IV
SCHEMATIC 4-1

Page 7

DATE	1/22/64
DRAWN BY	<i>h.7.</i>
APPROVED BY	<i>D.R.S.</i>

CAPACITORS

DELUXE ACCESSORY CONSOLE

Parts List 4-2

C No.	Description	Part No.	Price
C1, C2, C3, C4	470 PF @ 1 kv ceramic	20-39	\$ 0.15
C5	.001 @ 1kv ceramic	20-24	0.15
C6	2 @ 200 vdc paper	23-14	1.60
C7	.1 @ 200 vdc paper	23-7	0.45
C8, C9, C10	.01 @ 1kv ceramic	20-5	0.24

DIODES

D No.

D1, D2, D3, D4	IN54A	112-IN54A	\$ 0.95
D5, D6	IN34 Matched pair	112-IN34	3.25

RESISTORS

R No.

R1	120 1/2 watt	10-77	\$ 0.12
R2	500 pot (null control)	13-14	0.80
R3	10 pot (AF gain)	13-16	1.60
R4	3.3 ohm 1 watt	10-66A	0.18
R5	50K pot (mic gain)	13-15	0.80
R6	4.7K 1/2 watt	10-36	0.12
R7	2.5K pot (sensitivity control)	13-13	0.80
R8	250 pot (SWR cal. control)	13-17	0.85
R9	39 ohm 2 watt	10-68B	0.22

CHOKES

RFC1, RFC2	50 uh	30-8	\$ 0.66
------------	-------	------	---------

SWITCHES

S1	Function Switch special	53-17	\$ 4.26
----	-------------------------	-------	---------

TRANSFORMERS

T1, T2	Phone patch transformer	74-8	\$ 0.90
--------	-------------------------	------	---------

MISCELLANEOUS

CABLES

CA1, CA2, CA3	Patch cables, phono plugs	163-7	\$ 0.75
CA4	RF output, PL259 plugs	165-2A	2.80

	Deluxe Console Cabinet	140-15DLX	8.90
--	------------------------	-----------	------

	Front Panel	141-16	5.15
--	-------------	--------	------

	Meter 0-100 ua	115-7	4.85
--	----------------	-------	------

	Speaker 3.2 ohm	118-2	4.25
--	-----------------	-------	------

J1, J2, J3	3 connector phone jack	100-5	0.12
------------	------------------------	-------	------

J4, J5	So-239 Coax antenna connector	101-1	0.57
--------	-------------------------------	-------	------

	Clock	172-14	14.95
--	-------	--------	-------

	Front Feet	133-15	0.05
--	------------	--------	------

	Rear Feet	133-7	0.05
--	-----------	-------	------

	Sensitivity control knob	130-14-6	0.25
--	--------------------------	----------	------

	AF gain control knob	130-14-6	0.25
--	----------------------	----------	------

	Mic gain control knob	130-14-6	0.25
--	-----------------------	----------	------

	Null control knob	130-14-6	0.25
--	-------------------	----------	------

	Function switch knob	130-14-7	0.35
--	----------------------	----------	------

	AC line cord	172-2	0.45 (page 8)
--	--------------	-------	---------------

	Terminal Block 2c	82-2	0.15
--	-------------------	------	------

184-11	"GE" panel label		0.45
--------	------------------	--	------

184-14	"Deluxe Accessory Console" panel label		0.45
--------	--	--	------

SECTION V

5-1 SERVICE INFORMATION

All correspondence should be addressed:

GALAXY ELECTRONICS
10 SOUTH 34th ST.
COUNCIL BLUFFS, IOWA

When corresponding, the following information **MUST** be included if you are to be able to offer the fastest possible service. Failure to provide it may well delay action while additional correspondence is exchanged.

- (a) MODEL OF EQUIPMENT IN QUESTION
- (b) EQUIPMENT SERIAL
- (c) DATE OF PURCHASE
- (d) DEALER'S NAME AND ADDRESS
- (e) OUR PART NUMBER OF ANY PART DESCRIBED

INFORMATION ONLY

If only information is desired, address the latter to the attention of the "TECHNICAL DEPARTMENT", stating the exact nature of the problem as briefly as possible, describing parts referred to by our part numbers and listing all measurements taken and effects observed. A brief, concise letter will be helpful.

PARTS ONLY REQUIRED NOT IN WARRANTY

In the event you know exactly what part or parts are required, we prefer that you order them through your dealer; however, whenever possible, we will ship direct where your check, covering parts costs and postage, is included. Where not included, we will ship C. O. D. We do not offer a billing service.

PARTS ONLY REQUIRED IN WARRANTY

Where possible, order parts through your dealer; however, to expedite, we can usually ship from our factory. **HOWEVER**, for parts to be shipped from our factory on an exchange-in-warranty basis, we **MUST** have your warranty card on file. It is therefore **IMPORTANT** that you mail in your warranty card as soon as possible. On requests for shipment of parts in warranty, where no card is on file, there may be a delay in order to verify warranty with your dealer. Where verification of warranty is in order, we will normally ship replacement parts with a special return label for the defective part or parts.

5-2 RETURNING EQUIPMENT FOR SERVICE

Do NOT return equipment to us without prior authorization and special return labels. Doing so will usually cause delay.

When shipping equipment, be SURE it is insured with the carrier for full value. When units are received in damaged condition we will advise you of the extent of the damage and hold the equipment. You should immediately file claim with the originating carrier to protect your interests. We regret we are not able to assume the burden of filing a claim for you, though we will assist as possible. Such delays are undesirable but unavoidable, and it is the responsibility of the carrier to deliver equipment undamaged where it is properly packaged.

It is best if you will send an advance letter explaining all details of trouble, and be sure and list required information, such as dealers name, date of purchase, etc.

PREPAY ALL SHIPMENTS

SECTION VI

6-1 WARRANTY

GALAXY ELECTRONICS warrants each new product manufactured by it to be free from defective material or workmanship and agrees to remedy any such defect or to furnish a new part in exchange for any part of a unit of its manufacture which under normal installation, use and service discloses such defect, provided the unit is delivered by the owner to GALAXY ELECTRONICS or such repair station as may be designated by us WITH ALL TRANSPORTATION CHARGES PAID, and provided that examination, in our judgment, thus discloses it is defective. Component parts, with the exception of tubes, are warranted for 1 year, and tubes and labor for 90 days, from the date of sale to the original purchaser.

This warranty does not extend to any of our products which have been subjected to misuse, neglect, accident, incorrect wiring not our own, improper use or installation. Nor does the warranty cover improper repairs, adjustments, accessories not of our manufacture, or where the serial has been removed, defaced or changed. We do not authorize the purchase of replacement parts by the owner, to replace parts covered by our warranty, nor will we reimburse the owner for such unauthorized purchases.

This warranty applies only to the original purchaser and is not transferable. This warranty is in lieu of all other warranties or specifications expressed or implied and no representative or person is authorized to assume for us any other liability in connection with the sale of our products.

GALAXY ELECTRONICS reserves the right to change circuit design, component specifications, features, or any previously advertised specification at any time without advance notice or incurring any obligation to purchasers or products previously manufactured or sold.

All warranties above expire one year after the last unit is made.