

WIRING DIAGRAMS AND PARTS LISTS

PHILCO

REG. U.S. PAT. OFF.

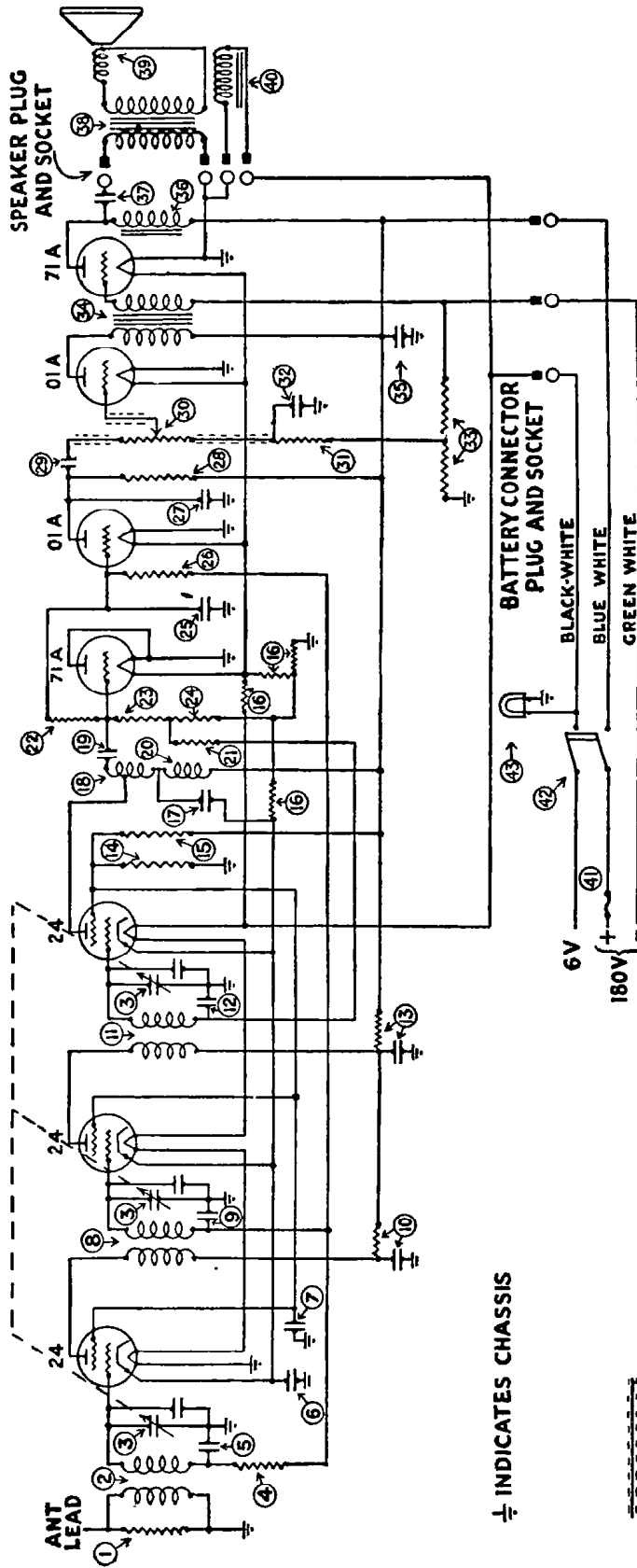
BALANCED UNIT RADIO RECEIVERS

Models are arranged numerically. The first is Model 3; the last is Model 511. Models that have similar chassis, as Models 89 and 19, are placed under a single number insofar as sequence is concerned.

Thus arranged are:

Model 22, see Model 71	Model 89, see Model 19
" 23, " " 14	" 91, " " 14
" 25, " " 43	

Model 3



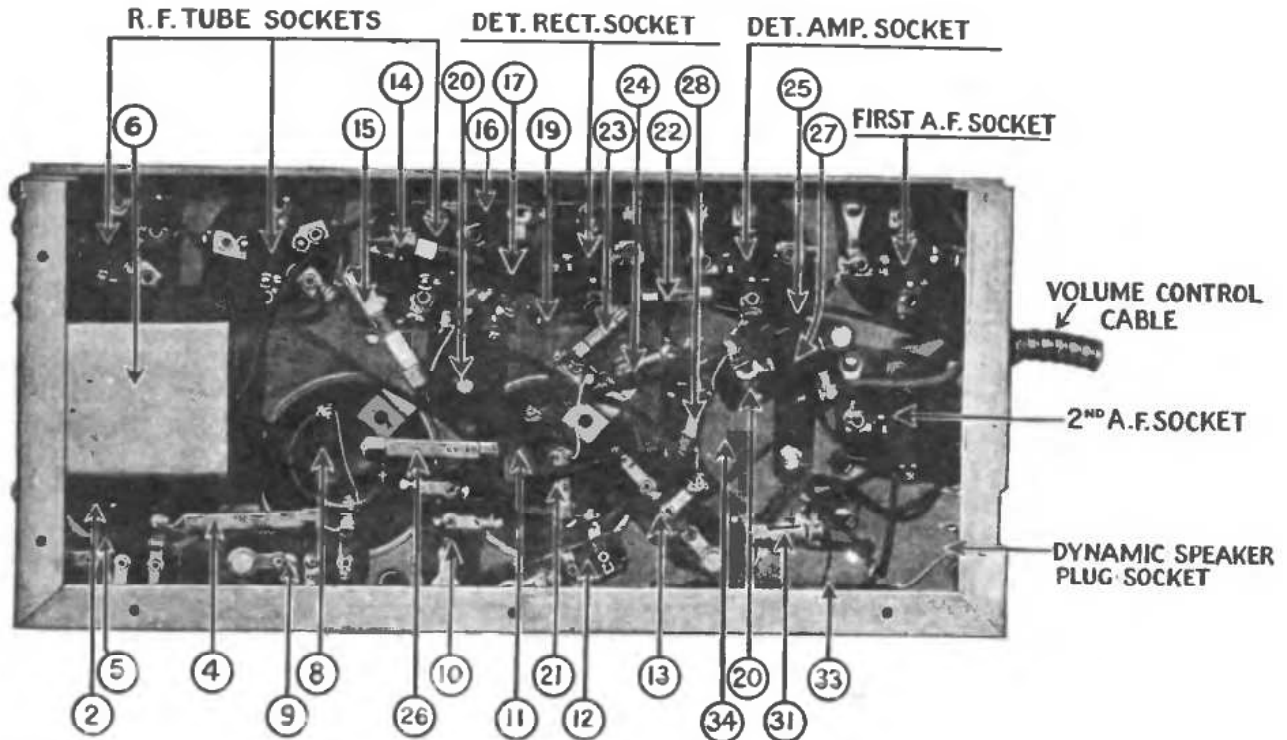
⊥ INDICATES CHASSIS

----- INDICATES GROUNDED SHIELDING

BATTERY CONNECTOR
PLUG AND SOCKET
BLACK-WHITE
BLUE-WHITE
GREEN-WHITE

6V
180V

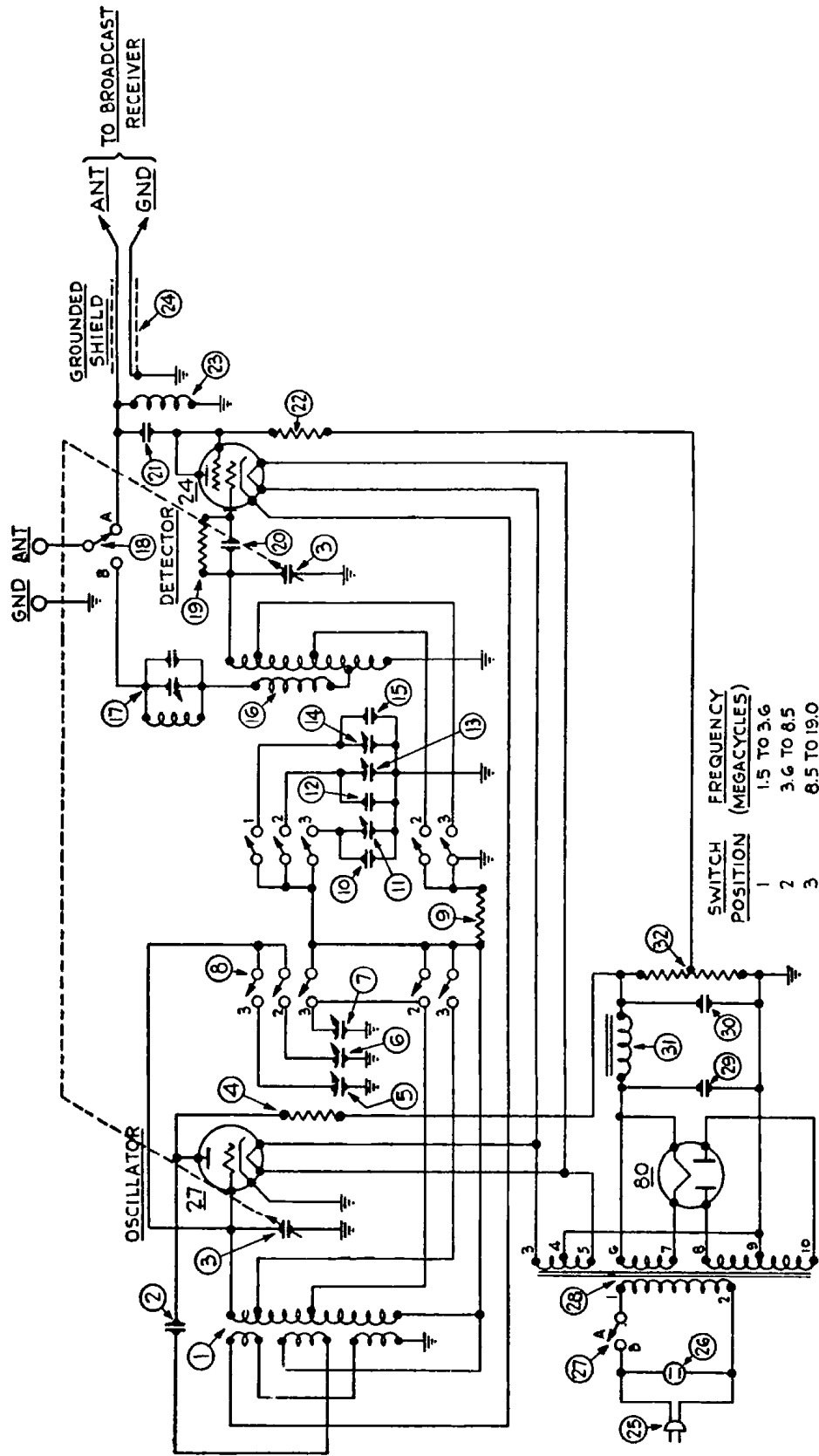
Model 3



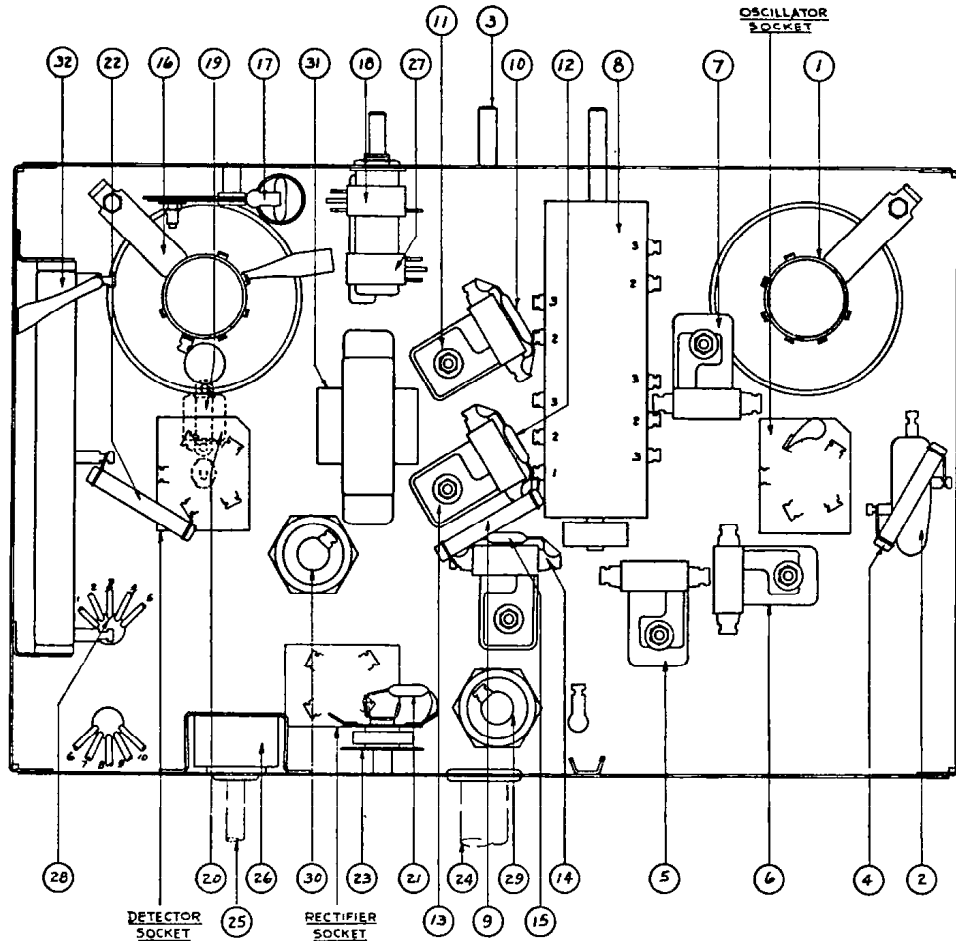
REPLACEMENT PARTS—MODEL 3 TRANSITONE RECEIVERS

No. on Figs 1 and 2	Description	Part No.	Net Price	Description	Part No.	Net Price
①	Resistor (10,000 ohms—½ watt)	4412	.12	Speaker Plug and Cable	L-1163-A	.30
②	First R. F. Transformer	4401-A	.48	Battery Connector Plug	2802	.03
③	Tuning Condenser	4372-A	3.30	Battery Plug Receptacle	4406	.05
④	Resistor (100,000 ohms—1 watt)	3767	.12	224 Socket	4416	.12
⑤	Condenser (.05 mfd)	3615-N	.12	171-A Socket	4415	.10
⑥	Condenser (1.0 mfd)	4413	.24	201-A Socket	4415	.10
⑦	Condenser (.25 mfd)	4487	.24	"B" Battery Compartment	4465	1.95
⑧	Second R. F. Transformer	4401-B	.36	Battery Box Lid	4467	.33
⑨	Condenser (.05 mfd)	3615-N	.12	Screws (Housing)	W-274-A	per C .18
⑩	Condenser and Resistor (.05 mfd with 250 ohms)	3615-P	.18	Lock Washers	W-291	per C .18
⑪	Third R. F. Transformer	4401-B	.36	Knobs	4523	.09
⑫	Condenser (.05 mfd)	3615-N	.12	Flexible Condenser Drive Shaft	4505	.78
⑬	Condenser and Resistor (.05 mfd with 250 ohms)	3615-C	.18	Dial Insulator for Volume Control	4461	.21
⑭	Resistor (50,000 ohms—1 watt)	4237	.12	Distributor Resistor	4546	.30
⑮	Resistor (25,000 ohms—1 watt)	3656	.12	Spark Plug Resistor	4531	.30
⑯	Resistor (4-section)	4407	.27	Volume Control Housing	4541	.09
⑰	Condenser (.00025 mfd)	3082	.12	Bezel Plate	4443	.15
⑱	Fourth R. F. Transformer	3775-B	.42	Dial	4461	.21
⑲	Condenser (.00005 mfd)	3774	.15	Fuse Holder	4593	.18
⑳	R. F. Choke	3256-A	.15	Gear Wheel	4385	.15
㉑	Resistor (1,000,000 ohms—½ watt)	4409	.12	Set Screws	W-520	.02
㉒	Resistor (250,000 ohms — ½ watt)	4410	.12	Drive Shaft Coupling	4434	.09
㉓	Resistor (100,000 ohms — ½ watt)	4411	.12	Cover Plate (Comp. Cond.)	4427	.03
㉔	Resistor (100,000 ohms — ½ watt)	4411	.12	Cover Plate (Front)	4374	.33
㉕	Condenser (.00025 mfd)	3082	.12	Dial Pinion Shaft	4387	.08
㉖	Resistor (1,000,000 ohms — 1 watt)	4414	.12	Dial Drive Pinion	4386	.18
㉗	Condenser (.00025 mfd)	3082	.12	Worm	4370	.02
㉘	Resistor (100,000 ohms — ½ watt)	4411	.12	Worm Shaft	4383	.06
㉙	Condenser (.015 mfd)	3793-D	.10	Ball (Worm Adj.)	4475	.01
㉚	Volume Control	4463	.75	Side Gasket	4472	.02
㉛	Resistor (250,000 ohms — ½ watt)	4410	.12	Bottom Gasket	4473	.02
㉜	Condenser (.25 mfd)	4487	.24	Side Gasket	4477	.02
㉝	Resistor (2-section)	4408	.18	Condenser Shaft Gasket	4478	.02
㉞	Audio Transformer	3241	1.65	Sub-Base Gasket	4479	.02
㉟	Condenser (2.0 mfd)	4418	.90	Top Gasket	4480	.02
㊱	Audio Choke	4485	.90	Parting Gasket	4481	.03
㊲	Output Condenser (1.0 mfd)	4420	.36	Shield Gasket	4483	.02
㊳	Output Transformer	2706	1.20	Cover Gasket	4484	.02
㊴	Voice Coil and Cone	2769-B	.45	Tube-Side Gasket	4488	.02
㊵	Field Coil	2707	2.40	Interference Condenser	4522	.60
㊶	Fuse	4540	.03	Nuts (Control Panel)	W-434	per C .75
㊷	Lock Switch (With Keys)	4462	.36	Front Cover	4470	.75
㊸	Pilot Lamp	4567	.11	B Cable	L-1160-A	.60
				A Cable	L-1169-A	.90
				Battery Box Coupling	4524	.10
				Battery Cable and Plug	L-1164-A	.60
				Volume Control Cable Housing	4541	.09
				Rubber Sleeving	4537	.02
				Pilot Lamp Assembly	4391-A	.18
				Fibre Wrench	3164	.09

MODEL 4 AND 4 C



MODEL 4 AND 4C



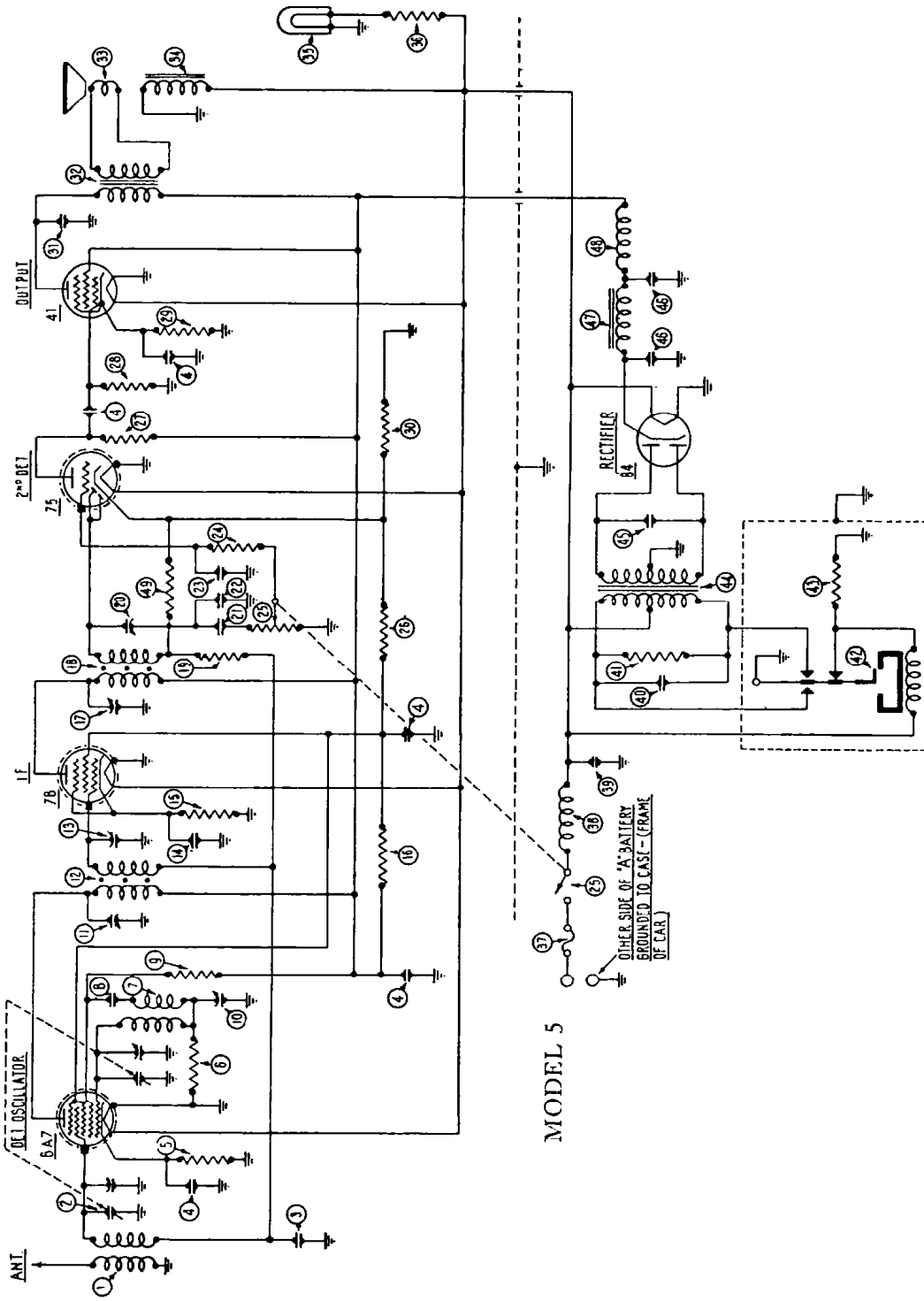
REPLACEMENT PARTS

MODELS 4 AND 4C

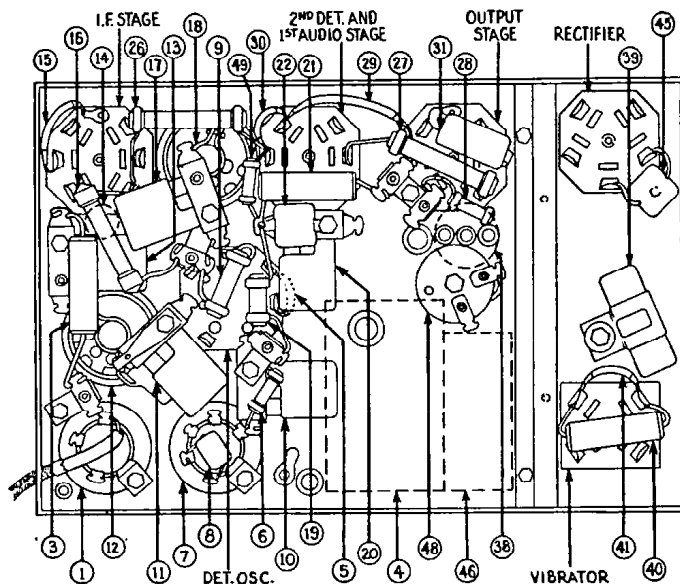
No. on Figs. 1 and 2	Description	Part No.	DEALER NET PRICE	No. on Figs. 1 and 2	Description	Part No.	DEALER NET PRICE
①	Oscillator Coil	03734*	.99	⑫	Antenna switch (assembled with 27)	5796	.75
②	By-pass condenser (.05 mfd.)	3615-M	.11	⑬	Resistor (2 Megohms) assembled with (20) 03879		.30
③	Gang condenser	03692	1.95	⑭	Condenser (110 mmf.) assembled with (19) 03879		.30
④	Resistor (13,000 ohms)	3766	.12	⑮	Condenser (250 mmf.)	3082	.12
⑤	Compensating condenser (19 MC end of top scale)	04000-E	.06	⑯	Resistor (99,000 ohms)	3767	.12
⑥	Compensating condenser (8.5 MC end of center scale)	04000-E	.06	⑰	R. F. choke	03893	.18
⑦	Compensating condenser (3.6 MC end of bottom scale)	04000-E	.06	⑱	Shielded cable	L-1278	.60
⑧	Frequency control switch	03751	1.80	⑳	Power cord and plug	L-943-A	.30
⑨	Resistor (240,000 ohms)	3768	.12	㉑	Outlet receptacle	5439	.24
⑩	Condenser (1800 mmf.)	6018	.18	㉒	"On-Off" switch (assembled with 18)	5796	.75
⑪	Condenser (800 mmf.)	5878	.12	㉓	Power transformer—50-60 cycles	5785	2.10
⑬	Compensating condenser (3.6 MC end of center scale)	04000-F	.10		25-40 cycles	5786	3.45
⑭	Compensating condenser (1.5 MC end of bottom scale)	04000-F	.10	㉔	Electrolytic condenser (6 mfd.)	4916	1.05
⑮	Condenser (250 mmf.)	3082	.12	㉕	Electrolytic condenser (6 mfd.)	4910	1.05
⑯	Detector transformer	03734*	.99	㉖	Filter choke (50-60 cycles)	4951	.90
⑰	Frequency filter	03662	.33		Filter choke (25-40 cycles)	5930	.84
				㉗	B.C. resistor (4750 each side of center), 50-60 cycles	5783	.30
					Resistor (two 32,000 ohms), 25-40 cycles	3525	.12
					Bezel	5175	.02
					Cabinet	40000	

*Includes matched oscillator coil and detector transformer.

MODEL 5



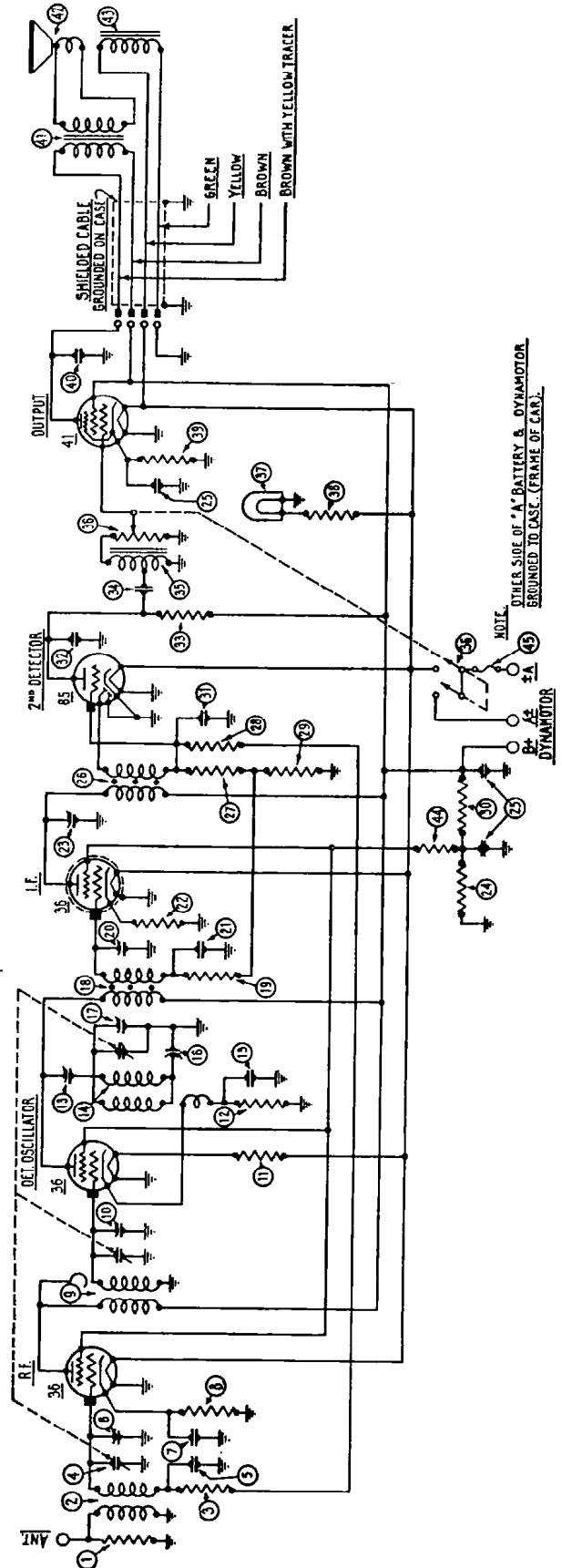
MODEL 5



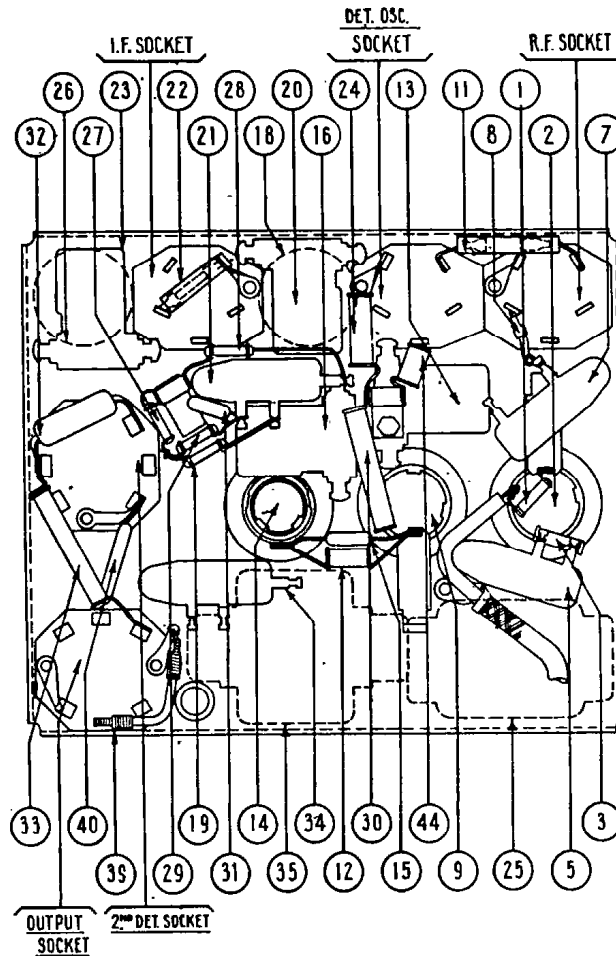
MODEL 5 PARTS LIST

No. on Fig. 1 and 2	Description	Part No.	NET PRICE	No. on Fig. 1 and 2	Description	Part No.	NET PRICE	DEALER NET PRICE
1	Antenna Transformer	32-1084	.24	38	R. F. Choke (Low voltage)	32-1083	.24	
2	Tuning Condenser	31-1019	1.80	39	Condenser (.5 mfd.)	30-4015	.30	
3	Condenser (.05 mfd.)	30-4020	.08	40	Condenser (.05 mfd.)	30-4020	.08	
4	Filter Condenser (.25; .25; .5; 20 mfd.)	30-4017	.90	41	Resistor (200 ohms)	7217	.09	
5	Resistor (200 ohms)	7217	.09	42	Vibrator	38-5036	3.00	
6	Resistor (1300 ohms)	8267	.12	43	Resistor (200 ohms)	7217	.09	
7	Oscillator Coil	32-1085	.21	44	Transformer	32-7030	1.20	
8	Condenser (.00025 mfd.)	3082	.12	45	Condenser (.006 mfd.)	30-1002	.30	
9	Resistor (15,000 ohms)	6208	.12	46	Condenser (4 mfd.; 8 mfd.)	30-4010	.96	
10	Padder	04000-S	.15	47	Filter Choke	32-7026	.61	
11	Padder	04000-J	.12	48	R. F. Choke (High voltage)	32-1078	.10	
12	First I. F. Transformer	32-1086	.33	49	Resistor (250,000 ohms)	4410	.12	
13	Padder	04000-Y	.08		Control Shaft (Tuning)	28-8006	.66	
14	Condenser (.5 mfd.)	30-4018	.30		Control Shaft (Volume)	28-8007	.69	
15	Resistor (1,000 ohms)	33-3017	.06		Tube Kit	34-3006		
16	Resistor (10,000 ohms)	4412	.12		75 Tube	8002		
17	Padder	04000-D	.06		78 Tube	8315		
18	Second I. F. Transformer	32-1087	.33		41 Tube	6446		
19	Resistor (1,000,000 ohms)	4409	.12		84 Tube	34-2001		
20	Padder	04000-M	.10		6A7 Tube	34-2002		
21	Condenser (.05 mfd.)	30-4020	.08		Dial	27-5006	.15	
22	Condenser (.00025 mfd.)	3082	.12		Antenna Lead	L-1594	.24	
23	Condenser (.0005 mfd.)	3910	.12		Battery Cable (Bat. end)	38-5124	.24	
24	Resistor (100,000 ohms)	6099	.12		Battery Cable (Rec. end)	38-5123	.48	
25	Volume Control and Switch	33-5009	.60		Fuse Housing	28-1269	.01	
26	Resistor (32,000 ohms)	3525	.12		Male Cap (Fuse)	28-1270	.01	
27	Resistor (250,000 ohms)	3768	.12		Contact (Fuse)	27-7133	.01	
28	Resistor (500,000 ohms)	6097	.12		Spring	27-7132	.21	per C
29	Resistor (700 ohms)	6443	.10		Washer	28-8009	.24	per C
30	Resistor (400 ohms)	33-3016	.06		Fuse Insulator	27-7131	.01	
31	Condenser (.006 mfd.)	30-1002	.30		Antenna Male Cap	28-1270	.01	
32	Output Transformer	32-7005	.75		Contact (Antenna)	28-7133	.01	
33	Cone	36-3027	.24		Spark Plug Resistors	4531	.30	
34	Field Coil	9013			Dist. Resistors	4546	.30	
35	Pilot Lamp	6608	.09		Screw Type	4851	.30	
36	Resistor (7 ohms)	7155	.12		Interference Condenser (1 mfd.)	4522	.60	
37	Fuse, 15 A.	7227	.06		Interference Condenser (1/2 mfd.)	30-4007	.30	

MODEL 6



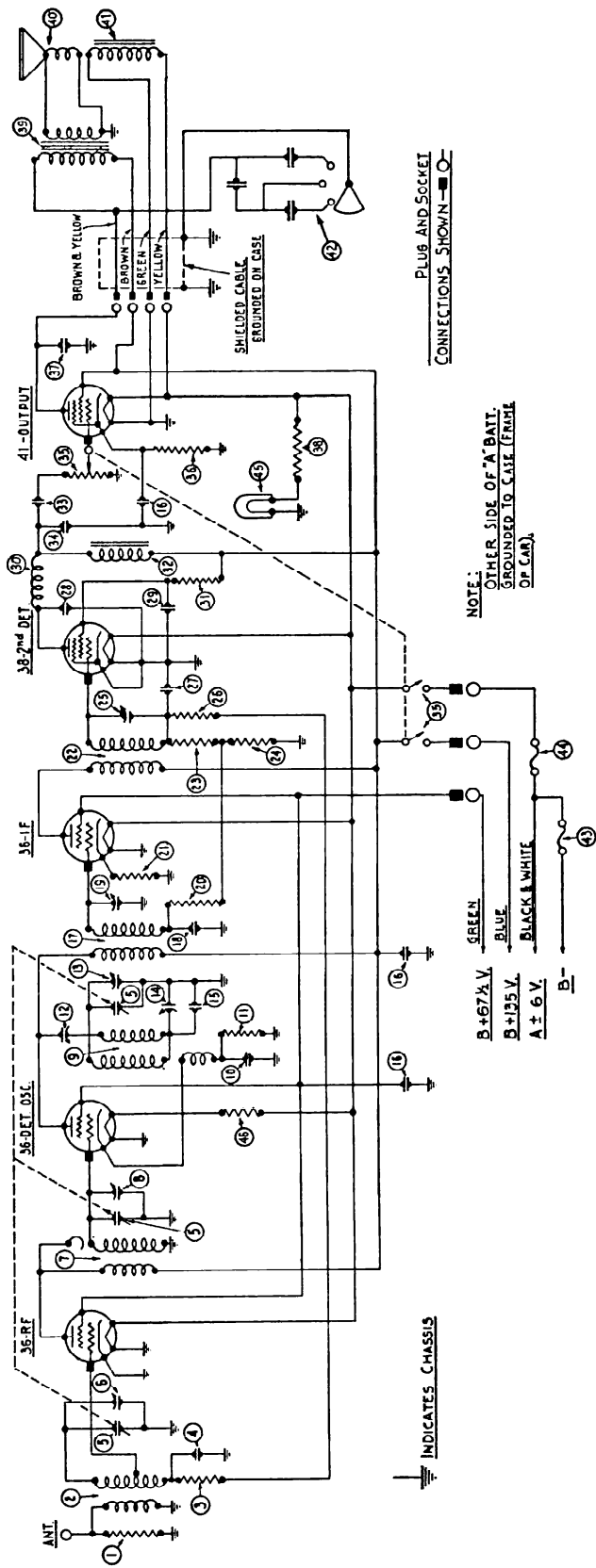
MODEL 6



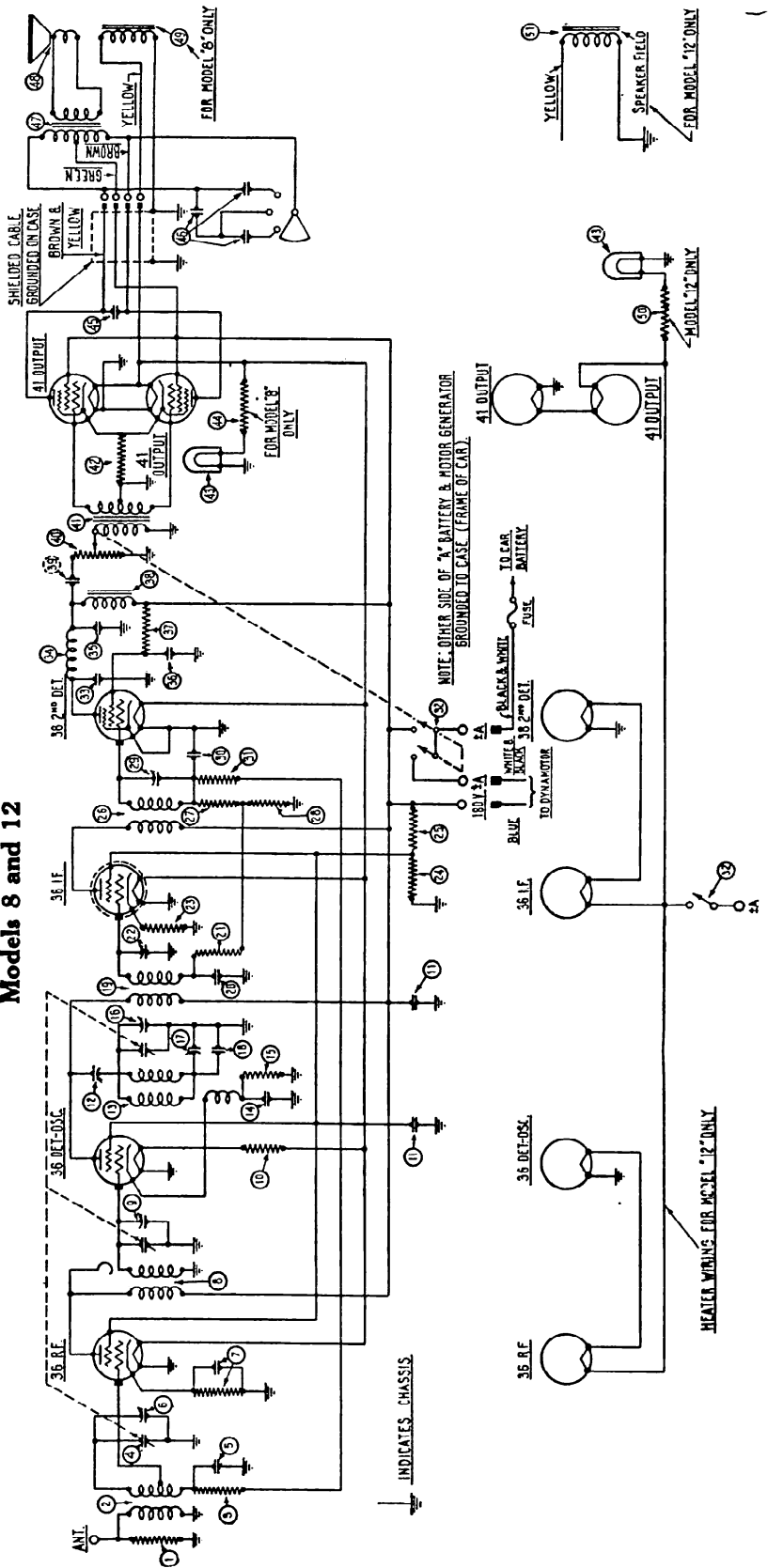
PARTS LIST

No. in Figs. 1 and 2	Description	Part No.	NET PRICE	No. in Figs. 1 and 2	Description	Part No.	NET PRICE
①	Resistor (3,000 ohm)	0090	.12	29	Volume Control (500,000 ohm) and switch	7525	.90
②	Antenna Coil	06903	.27	30	Pilot Lamp	4567	.11
③	Resistor (100,000 ohm)	6099	.12	31	Resistor (1 ohm)	5110	.09
④	Tuning Condenser	04308	3.15	32	Resistor (700 ohm)	6443	.10
⑤	By-pass Condenser (.06 mfd.)	8615-AN	.16	33	Condenser (.002 mfd.)	6358	.18
⑥	Compensator section on tuning condenser			34	Output Transformer	2598	.75
⑦	By-pass Condenser (.05 mfd.)	3615-AT	.12	35	Cone and Coil	02823	.27
⑧	Resistor (500 ohm)	6977	.12	36	Field Coil	02794	2.40
⑨	Detector Coil	06902	.30	37	Resistor (25,000 ohm)	4516	.12
⑩	Compensator section on tuning condenser			38	Interstage Shield	05910	.03
⑪	Resistor (2.7 ohm)	6511	.10	39	Dynamotor EB	05389	13.17
⑫	Resistor (8,000 ohm)	5838	.12	40	Dynamotor EA (for battery replacements)	06888	13.17
⑬	Compensating Cond.	04000A	.08	41	Receiver Studs	6122	per C 1.80
⑭	Oscillator Coil	05975	.39	42	Shielded Loom (18" high tension shield)	L1387	.15
⑮	Condenser (.007 mfd.)	4520	.12	43	Shielded Loom (30" high tension shield)	L1386	.24
⑯	Compensating Cond.	04000S	.15	44	Spark Plug Resistor	4531	.30
⑰	Compensator section on tuning condenser			45	Distributor Resistor	4646	.30
⑱	First I. F. Transformer	06970	.48	46	Screw Type Resistors	4351	.30
⑲	Resistor (500,000 ohm)	6097	.12	47	Interference Condensers	4522	.60
⑳	Compensating Cond.	04000D	.06	48	Knobs	5166	.03
㉑	Condenser (.05 mfd.)	3615-AK	.12	49	Speaker Extension Cable	02984	.45
㉒	Resistor (500 ohm)	6977	.12	50	Dynamotor Filter Choke	6658	.75
㉓	Compensating Cond.	04000D	.06	51	Dynamotor Filter Condenser (large unit)	0538	
㉔	Resistor (20,000 ohm)	6650	.15	52	Dynamotor Filter Condenser (small unit)	05724	.75
㉕	Condenser (.25 mfd., 5 mfd., 8 mfd.)	04354	.66	53	Dynamotor RF Choke (small unit only)	05746	.21
㉖	Second I. F. Transformer	05901	.45	54	18" Volume Control Shaft	6351	.60
㉗	Resistor (100,000 ohm)	6099	.12	55	18" Tuning Control Shaft	6852	.60
㉘	Resistor (500,000 ohm)	6097	.12	56	32" Volume Control Shaft	6128	.90
㉙	Resistor (100,000 ohm)	6099	.12	57	32" Tuning Control Shaft	6129	.90
㉚	Resistor (20,000 ohm)	6649	.12	58	48" Volume Control Shaft	6298	1.20
㉛	Condenser (.00025 mfd.)	3082	.12	59	48" Tuning Control Shaft	6299	1.20
㉜	Condenser (.0002 mfd.)	4059	.18	60	120" Volume Control Shaft	6356	2.40
㉝	Resistor (50,000 ohm)	4237	.12	61	120" Tuning Control Shaft	6356	2.40
㉞	Condenser (.09 mfd.)	4989-Y	.12	62	Philco Oscillator (for adjusting Modets 3, 7, 8, 6)	Model 095	28.50
㉟	Audio Transformer	7535	1.35	63	Fibre Wrench	3164	.09

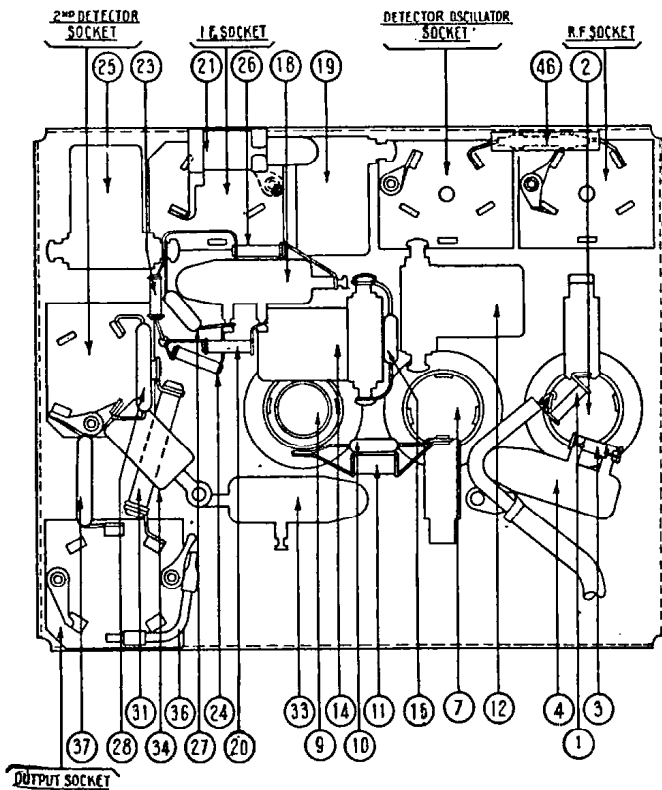
Model 7



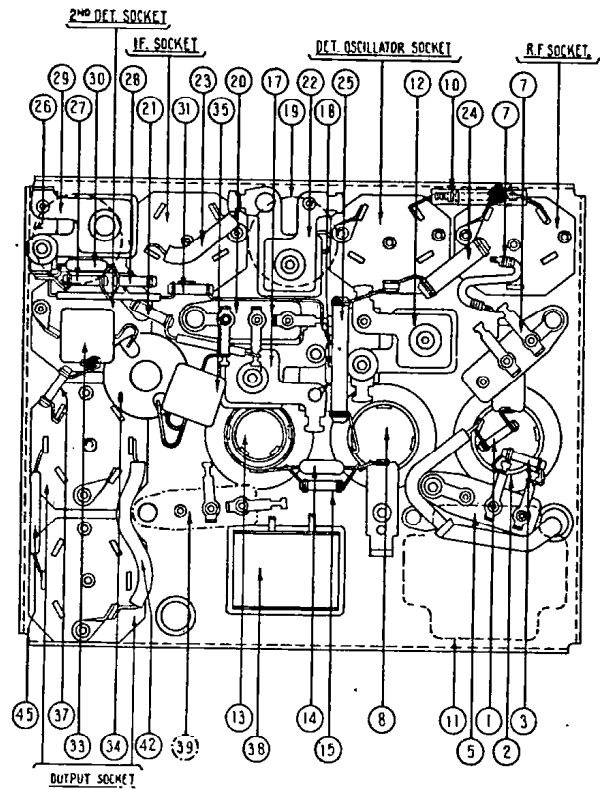
Models 8 and 12



Model 7



Models 8 and 12

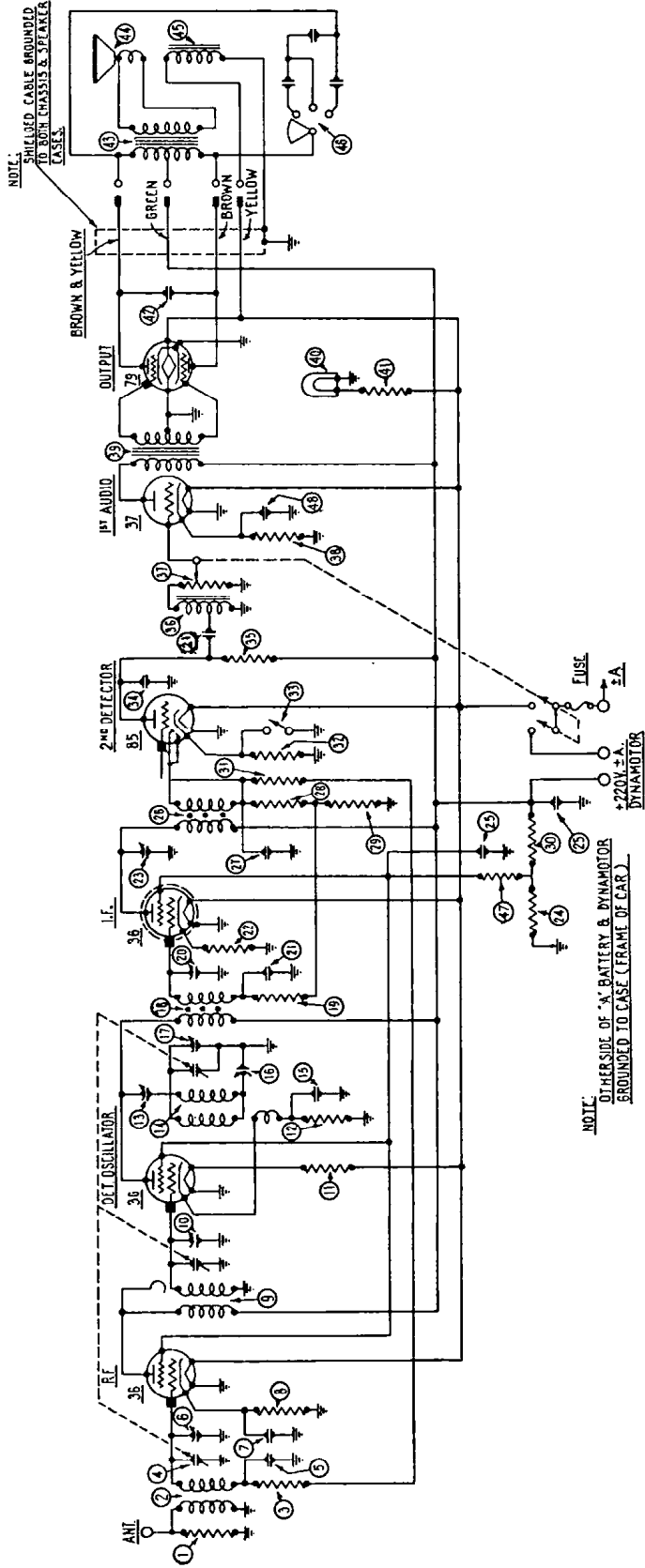


Replacement Parts Models 7, 8 and 12

Models 8-12	Model 7	Description	Part No.	DEALER NET PRICE	Models 8-12	Model 7	Description	Part No.	DEALER NET PRICE
⊙	⊙	Resistor (5,000 Ohms).....	6090	.12	⊙	⊙	Fluor. Lamp.....	4507	.11
⊙	⊙	Antenna Coil.....	04348	.45	⊙	⊙	Resistor (7 Ohms).....	5110	.09
⊙	⊙	Resistor (99,000 Ohms).....	6429	.12	⊙	⊙	Condenser (.002 Mfd.).....	6343	.18
⊙	⊙	Tuning Condenser Assembly.....	04908	3.15	⊙	⊙	Tone Control.....	05306	.30
⊙	⊙	Condenser (.05 Mfd.).....	3615-AO	.12	⊙	⊙	Output Transformer.....	2565	.84
⊙	⊙	Condenser (.05 Mfd.).....	3615-AN	.15	⊙	⊙	Output Transformer.....	2598	.75
⊙	⊙	Compensating Cond. (Part of Tuning Condenser).....			⊙	⊙	Cone and Voice Coil.....	02823	.27
⊙	⊙	Condenser (.05 Mfd.).....	3615-AE	.12	⊙	⊙	Field Coil Assembly (8V).....	02794	.12
⊙	⊙	Resistor (500 Ohms).....	6977	.12	⊙	⊙	Resistor (30 Ohms).....	7155	.03
⊙	⊙	Detector Transformer.....	04509	.30	⊙	⊙	1 Amp. Fuse.....	4540	.02
⊙	⊙	Compensating Cond. (Part of Tuning Condenser).....			⊙	⊙	15 Amp. Fuse.....	5876	.02
⊙	⊙	Resistor (2.7 Ohms).....	6511	.10	⊙	⊙	Field Coil Assembly (12V).....	02858	1.20
⊙	⊙	Condenser (.25, 5 Mfd.).....	04059	.45	⊙	⊙	Battery Cable (Model 7).....	04418	1.35
⊙	⊙	See Note 1 (.25, .25, 5 Mfd.).....	05622	.60	⊙	⊙	Battery Cable (Model 8-12).....	05410	2.10
⊙	⊙	Condenser (.25, 5, 20 Mfd.).....	04354	.66	⊙	⊙	Plug (Model 7).....	4530	.24
⊙	⊙	Compensating Condenser.....	04000-A	.08	⊙	⊙	Cap (Model 7).....	4535	.06
⊙	⊙	Oscillator Coil.....	04503	.60	⊙	⊙	Plug (Model 8).....	7122	.21
⊙	⊙	Condenser (.0067 Mfd.).....	4520	.12	⊙	⊙	Cap (Model 8).....	7123	.06
⊙	⊙	Resistor (5,000 Ohms).....	6090	.12	⊙	⊙	Fibre Wrench.....	3104	.09
⊙	⊙	Compensating Cond. (Part of Tuning Condenser).....			⊙	⊙	Control Unit Assembly.....	04343	3.45
⊙	⊙	Compensating Condenser.....	04000-R	.21	⊙	⊙	Control Housing Cover.....	6030	.36
⊙	⊙	Condenser (.0007 Mfd.).....	6063	.11	⊙	⊙	Key (Interchangeable).....	8061	.09
⊙	⊙	First I.F. Transformer.....	04336	.66	⊙	⊙	Speaker Extension Cable.....	02984	.45
⊙	⊙	Condenser (.05 Mfd.).....	3615-AK	.12	⊙	⊙	Spark Plug Resistor.....	4531	.30
⊙	⊙	Resistor (490,000 Ohms).....	6007	.12	⊙	⊙	Distributor Head Resistor.....	4546	.30
⊙	⊙	Compensating Condenser.....	04000-D	.06	⊙	⊙	Special Resistor (Screw Type).....	4581	.05
⊙	⊙	Resistor (600 Ohms).....	9042	.12	⊙	⊙	Interference Condenser.....	4592	.60
⊙	⊙	Resistor (225 Ohms).....	6107	.10	⊙	⊙	Phono I. F. Oscillator..... Model 005	28.50	
⊙	⊙	Resistor (20,000 Ohms).....	6650	.15	⊙	⊙	Type 36 Tube.....	5582	.99
⊙	⊙	Resistor (20,000 Ohms).....	6649	.12	⊙	⊙	Type 38 Tube.....	5584	1.05
⊙	⊙	Second I.F. Transformer.....	04353	.66	⊙	⊙	Type 41 Tube.....	6446	.60
⊙	⊙	Resistor (99,000 Ohms).....	6099	.12	⊙	⊙	Knobs.....	5166	.03
⊙	⊙	Resistor (99,000 Ohms).....	6099	.12	⊙	⊙	Receiver Housing.....	8058	.39
⊙	⊙	Resistor (99,000 Ohms).....	6099	.12	⊙	⊙	Speaker Housing.....	2710	.60
⊙	⊙	Compensating Condenser.....	04000-A	.08	⊙	⊙	Dynamotor Complete—Model EA.....	05388	13.17
⊙	⊙	Condenser (.00025 Mfd.).....	3062	.12	⊙	⊙	Dynamotor Complete—Model EC.....	05424	15.00
⊙	⊙	Resistor (400,000 Ohms).....	6097	.12	⊙	⊙	Dynamotor Only 6V.....	6651	
⊙	⊙	Switch (See Note 2).....			⊙	⊙	Dynamotor Only 12V.....	7165	
⊙	⊙	Condenser (.00125 Mfd.).....	5588	.15	⊙	⊙	Dynamotor Filter Choke.....	6658	.75
⊙	⊙	Condenser (.001 Mfd.).....	5215	.12	⊙	⊙	Dynamotor Filter Choke.....	6538	1.11
⊙	⊙	R.F. Choke.....	04342	.60	⊙	⊙	Dynamotor Housing.....	6655	
⊙	⊙	Condenser (.00125 Mfd.).....	5588	.15	⊙	⊙	Large Battery Box (Complete).....	04585	1.71
⊙	⊙	Condenser (.001 Mfd.).....	5215	.12	⊙	⊙	Small Battery Box (Complete).....	04581	
⊙	⊙	Condenser (.25 Mfd.) See Note 3.....	04340	.24	⊙	⊙	Receiver Studs.....	6122	per C 1.80
⊙	⊙	Resistor (50,000 Ohms).....	8208	.12	⊙	⊙	Shielded Loom.....	L-1387	.15
⊙	⊙	Resistor (50,000 Ohms).....	4237	.12	⊙	⊙	18" Volume Control Shaft.....	6351	.60
⊙	⊙	Audio Choke.....	6602	.75	⊙	⊙	18" Tuning Control Shaft.....	6352	.60
⊙	⊙	Audio Choke.....	5800	.84	⊙	⊙	32" Volume Control Shaft.....	6128	.90
⊙	⊙	Condenser (.01 Mfd.).....	3903-Y	.10	⊙	⊙	32" Tuning Control Shaft.....	6129	.90
⊙	⊙	Volume Control (Note 2).....	7322	.90	⊙	⊙	48" Volume Control Shaft.....	6298	1.20
⊙	⊙	Volume Control.....	6109	.90	⊙	⊙	48" Tuning Control Shaft.....	6290	1.20
⊙	⊙	Input Transformer.....	6586	1.20	⊙	⊙	120" Volume Control Shaft.....	6355	2.40
⊙	⊙	Resistor (700 Ohms).....	6488	.10	⊙	⊙	120" Tuning Control Shaft.....	6356	2.40

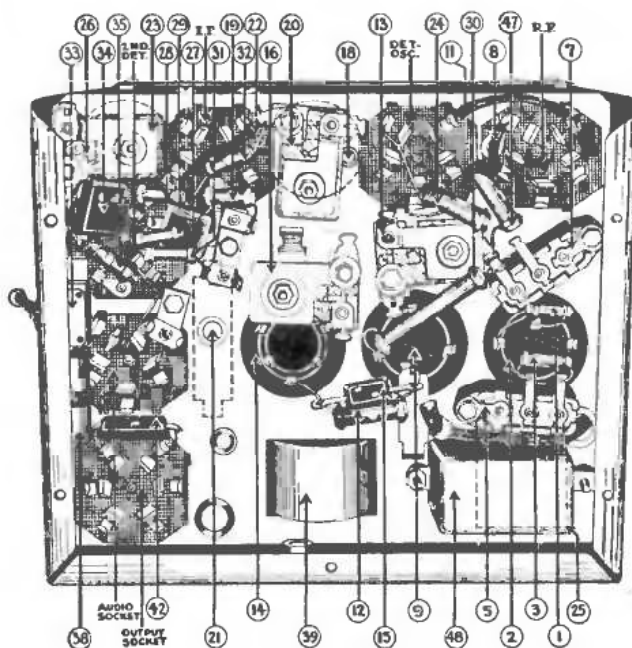
NOTE 1—In some Receivers, 04950 is replaced by 05622. ⊙ is omitted and a .25 Mfd. section of 05622 is used in its place.
NOTE 2—Switch ⊙, in fig. 4 is integral part of volume control ⊙, part No. 7322.

MODEL 9



NOTE: OTHER SIDE OF "A" BATTERY & DYNAMOTOR GROUND TO CASE (FRAME OF CAR.)

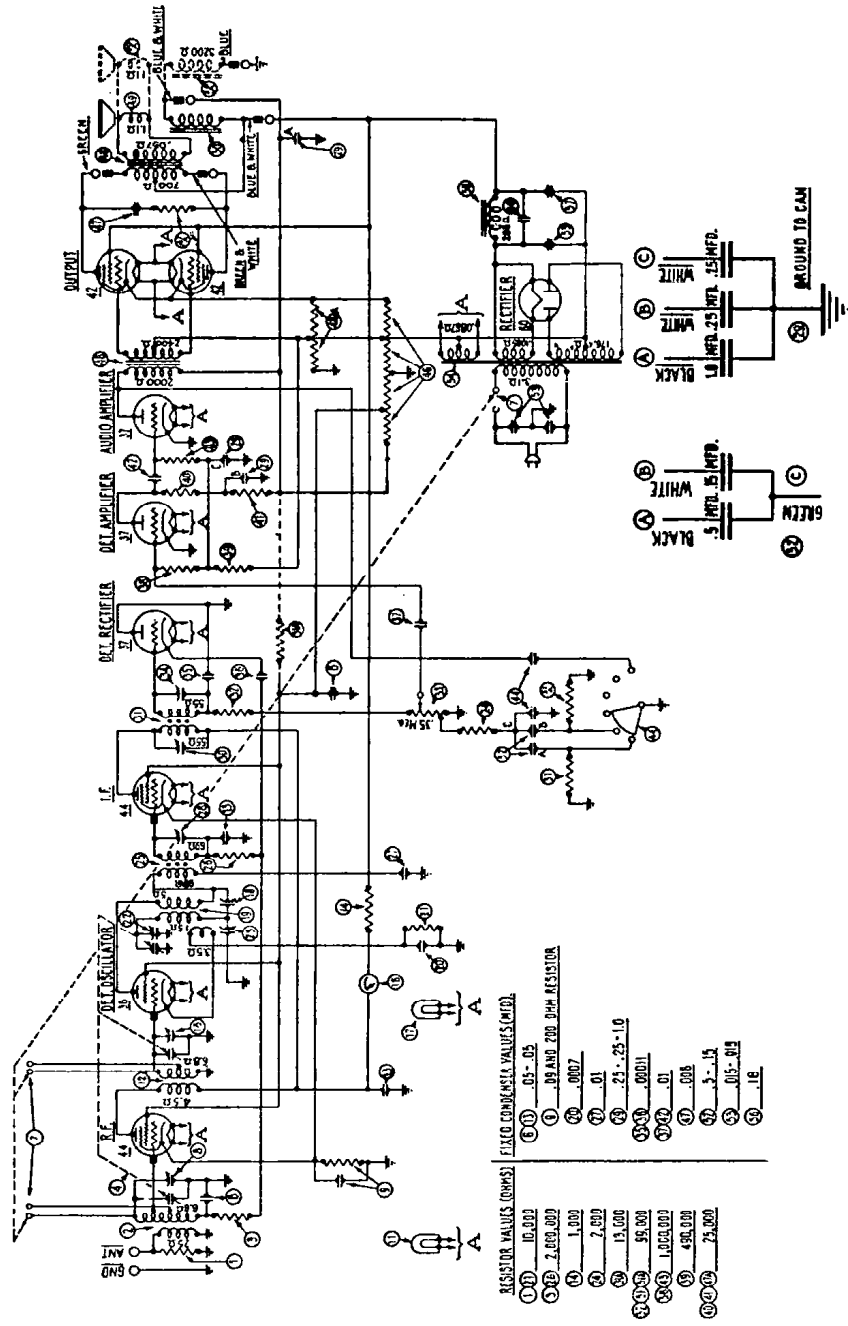
MODEL 9



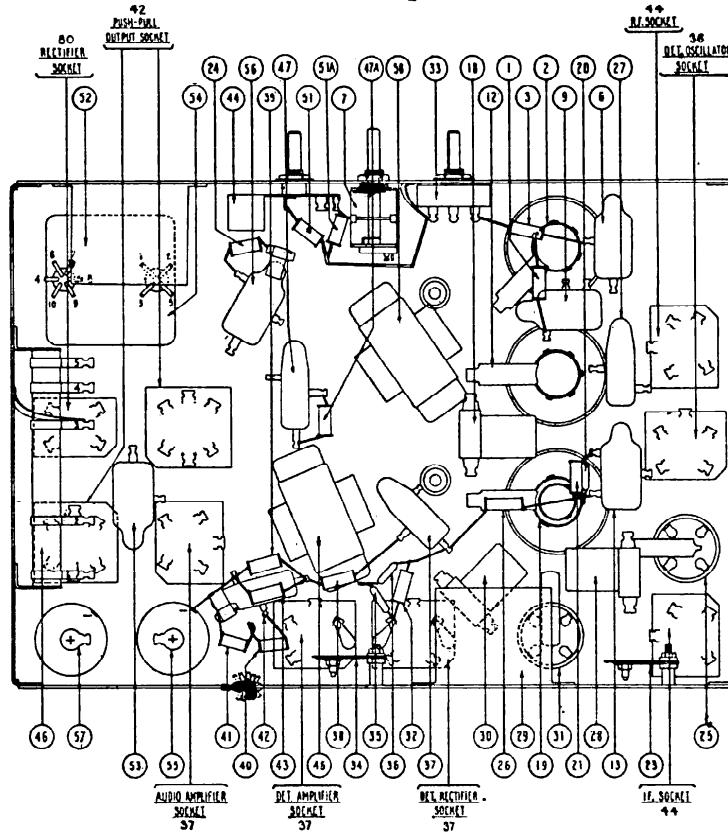
PARTS LIST

No. in Figs. 1 and 2	Description	Part No.	NET PRICE	No. in Figs. 1 and 2	Description	Part No.	NET PRICE
①	Resistor (5,000 ohm) ..	6096	.12	⑩	Speaker Coil and Cone	02823	.27
②	Antenna Coil	06574	.30	⑪	Speaker Field Pot.	02795	1.35
③	Resistor (100,000 ohm) ..	6099	.12	⑫	Tone Control	05366	.30
④	Tuning Condenser	04308	3.15	⑬	Resistor (25,000 ohm) ..	4516	.12
⑤	By-pass Condenser (.05 mfd.)	3615-AN	.15	⑭	Condenser	7774	.45
⑥	Compensator section on tuning condenser.			⑮	Complete Speaker Assembly (Model 6)	A-4	
⑦	By-pass Condenser 3615-A-Y ..		.12	⑯	Complete Speaker Assembly (Model 7)	A-4	
⑧	Resistor (500 ohm)	6977	.12	⑰	Complete Speaker Assembly (Model 8)	A-5	
⑨	I. F. Transformer	05902	.30	⑱	Complete Speaker Assembly (Model 9)	A-7	
⑬	Compensator section on tuning condenser ..			⑲	Complete Speaker Assembly (Model 12)	A-6	
⑯	Resistor (2.7 ohm)	6511	.10	⑳	Complete Speaker Assembly (Model E-6)	A-8	
⑳	Resistor (6,000 ohm)	7352	.10	㉑	Interstage Shield	05910	.03
㉑	Compensator	04000-A	.08	㉒	Dynamotor ED	06084	13.17
㉒	Oscillator Coil	05975	.39	㉓	Dynamotor EA (for battery replacements) ..	05388	13.17
㉓	Condenser (.0007 mfd.) ..	4520	.12	㉔	Receiver Studs	6122	1.80
㉔	Compensating Cond. 04000-S ..		.15	㉕	Shielded Loom (18" high tension shield)	L-1387	.16
㉕	Compensator section on tuning condenser ..			㉖	Shielded Loom (30" high tension shield)	L-1386	.24
㉖	First I. F. Transformer	05970	.48	㉗	Spark Plug Resistor	4531	.30
㉗	Resistor (500,000 ohm) ..	6097	.12	㉘	Distributor Resistor	4546	.30
㉘	Compensating Cond. 04000-D ..		.06	㉙	Screw Type Resistor	4851	.30
㉙	Condenser (.05 mfd., .15 mfd.)	06091	.21	㉚	Interference Condensers ..	4522	.60
㉚	Resistor (800 ohm)	6977	.12	㉛	Knobs	5166	
㉛	Compensating Cond. 04000-D ..		.06	㉜	Speaker Extension Cables	02984	.45
㉜	Resistor (20,000 ohm) ..	6650	.15	㉝	Dynamotor Filter Choke ..	6658	.75
㉝	Condenser (.5 mfd., .25 mfd.)	06088	.75	㉞	Dynamotor Filter Condenser (large unit) ..	05386	1.11
㉞	Second I. F. Transformer	05901	.45	㉟	Dynamotor Filter Condenser (small unit) ..	05724	.75
㉟	Condenser (.00025 mfd.)	3082	.12	㊱	Dynamotor RF Choke	05723	.09
㊱	Resistor (100,000 ohm) ..	6099	.12	㊲	Battery Cable	05419-D	2.10
㊲	Resistor (100,000 ohm) ..	6099	.12	㊳	18" Volume Control Shaft ..	6361	.60
㊳	Resistor (20,000 ohm) ..	6649	.12	㊴	18" Tuning Control Shaft ..	6352	.60
㊴	Resistor (500,000 ohm) ..	6097	.12	㊵	32" Volume Control Shaft ..	6128	.90
㊵	Resistor (5,000 ohm)	6096	.12	㊶	32" Tuning Control Shaft ..	6129	.90
㊶	Switch	5462	.24	㊷	48" Volume Control Shaft ..	6298	1.20
㊷	Condenser (.00125 mfd.)	5886	.15	㊸	48" Tuning Control Shaft ..	6299	2.40
㊸	Resistor (50,000 ohm) ..	4518	.12	㊹	120" Volume Control Shaft ..	6355	2.40
㊹	Audio Transformer	7552	1.35	㊺	120" Tuning Control Shaft ..	6356	2.40
㊺	Volume Control	7525	.90	㊻	Phileo Oscillator (for adjusting Models 3, 6, 7, 8, 9) ..	0995	28.50
㊻	Resistor (2,500 ohm)	7775	.12	㊼	Fibre Wrench	3164	.09
㊼	Input Transformer	7652	.96				
㊽	Pilot Lamp	4567	.11				
㊾	Resistor (7 ohm)	5110	.09				
㊿	Condenser (.06 mfd.) ..	6359	.24				
①	Output Transformer ..	2515	.90				

MODELS 14 AND 91



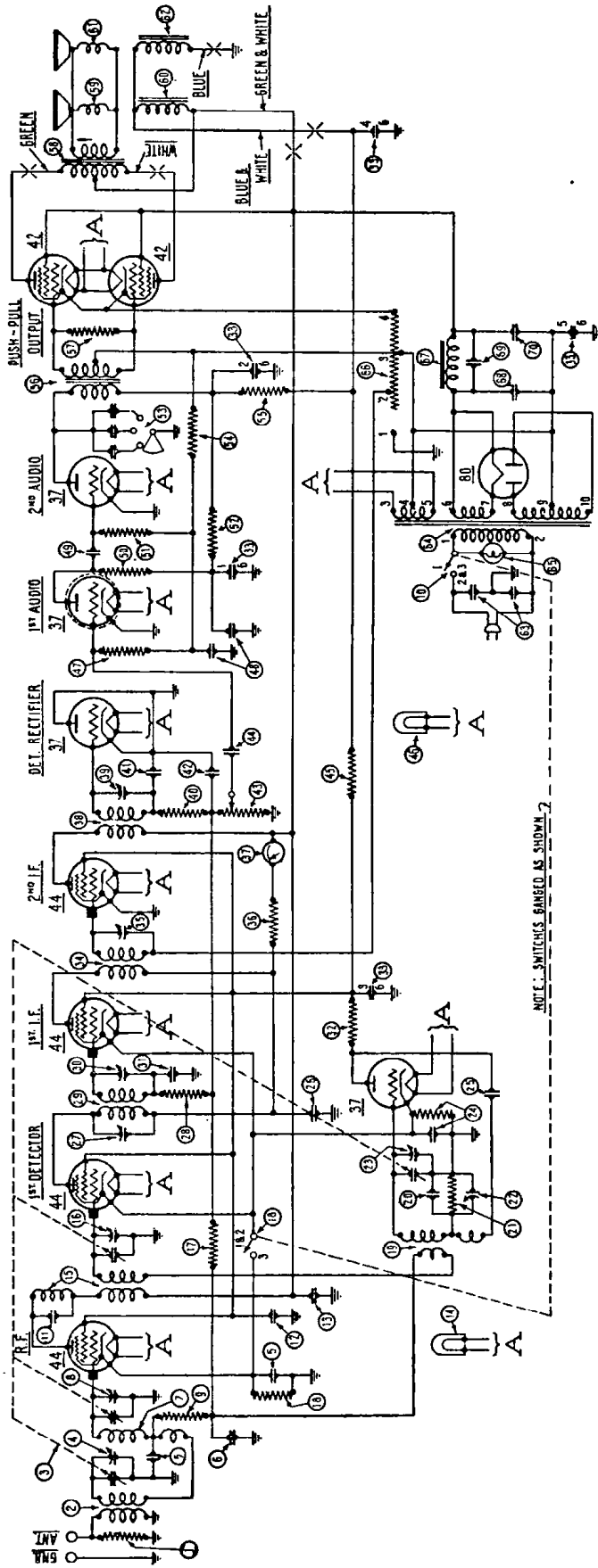
Models 14 and 91



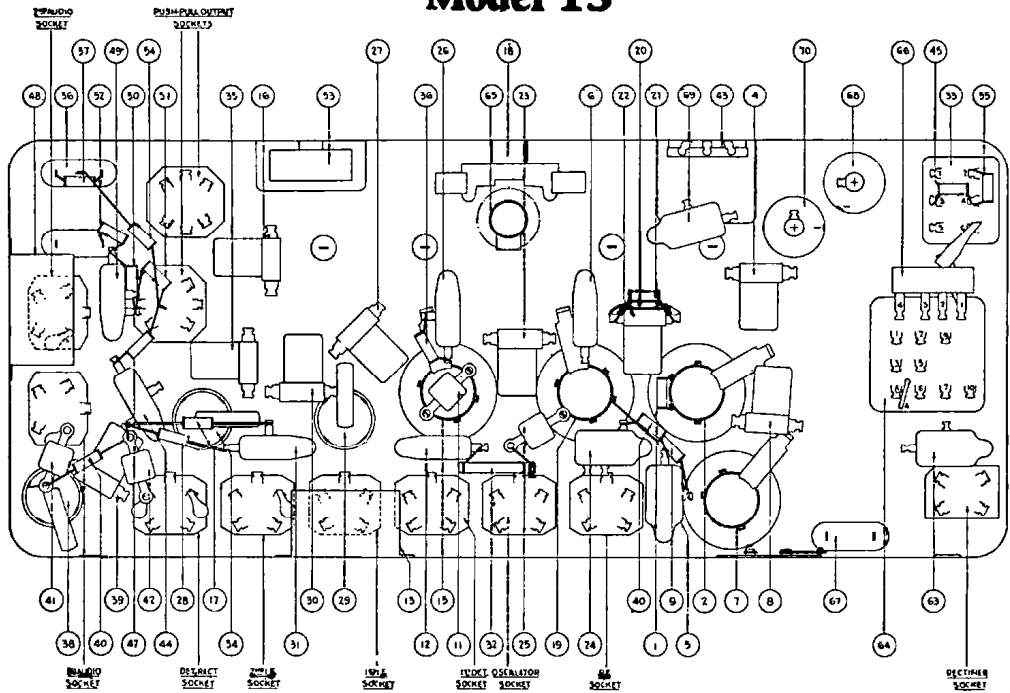
REPLACEMENT PARTS

No. on Figs.	Description	Part No.	NET PRICE	No. on Figs.	Description	Part No.	NET PRICE
①	Resistor (Brown-Black-Orange)	4412	.12	③③	Resistor (Brown-Black-Green)	4409	.12
②	R.F. Transformer	32-1069	.36	④④	Tone Control	06698	.33
③	Resistor (Red-Black-Green)	5872	.12	④⑤	Push-Pull Input Transformer	0064	1.35
④	Tuning Condenser Assembly	04790	2.55	④⑥	B.C. Resistor (Wire Wound)	6702	.24
⑤	Compensating Cond. (R.F.) Part of ④			④⑥a	B.C. Resist. (Wire Wound) Twin Speaker	6808	.11
⑥	Condenser	3615-AM	.12	④⑦	Condenser	7625-B	.08
⑦	"On-Off" and Frequency Switch	42-1002	.60	④⑦a	Resistor (Red-Green-Orange)	4516	.12
⑧	Condenser (and Resistor)	6287-C	.12	④⑧	Push-Pull Output Trans. (Sing. Speaker)	2585	.81
⑨	Pilot Lamp (Philco Scale)	6608	.09		Push-Pull Output Trans. (Twin Speaker)	2565	.84
⑩	Detector Transformer	32-1070	.24	④⑨	Voice Coil and Cone Assembly (K-6 and K-12)		
⑪	Condenser	3615-AJ	.16		Voice Coil and Cone Assembly (IL-7)	02823	.27
⑫	Resistor (Brown-Black-Red)	5837	.12		Twin Speaker Model	02807	.39
⑬	Compensating Cond. (Detector) Part of ⑩			⑤①	Speaker Field Assembled with Pot (K-6 and K-12)	02803	1.35
⑭	Tuning Meter	6497	1.35	⑤①a	Speaker Field Assembled with Pot (H-7)		
⑮	Pilot Lamp (Tuning Meter)	6608	.09		Twin Speaker Model	02803	1.35
⑯	Compensating Cond. (1st I.F. Primary)	04000-M	.10	⑤②	Resistor (White-White-Orange)	4411	.12
⑰	Oscillator Coil	05985	.24	⑤②a	Resistor (White-White-Orange)	4411	.12
⑱	Condenser (White and Yellow)	4520	.12	⑤③	Condenser Bank	06713	.27
⑲	Resistor (Brown-Black-Orange)	4412	.12	⑤④	Condenser (Double)	3793-E	.12
⑳	Comp. Cond. (High Freq.) Part of ⑱			⑤④	Power Trans. (50-60 cycles) Sing. Sp'k'r	6554	2.85
㉑	Compensating Condenser (Low Freq.)	04000-B	.11		Power Trans. (25-40 cycles) Sing. Sp'k'r	6555	4.35
㉒	Resistor (Red-Black-Red)	6984	.12		Power Trans. (50-60 cycles) Twin Sp'k'r	6804	3.30
㉓	First I.F. Transformer	04319	.45		Power Trans. (25-40 cycles) Twin Sp'k'r	6805	4.50
㉔	Resistor (Red-Black-Green)	5872	.12	⑤⑤	Electrolytic Cond. (6 MFD) Sing. Sp'k'r	4916	1.05
㉕	Condenser	3903-AE	.09		Electrolytic Cond. (8 MFD) Twin Sp'k'r	7464	.75
㉖	Comp. Cond. (1st I.F. Secondary)	04030-M	.10	⑤⑥	Condenser	4989-T	.12
㉗	Filter Condenser Bank	04830	.45	⑤⑦	Electrolytic Cond. (6 MFD) Sing. Sp'k'r	4916	1.05
㉘	Comp. Cond. (2d I.F. Primary)	04000-M	.10		Electrolytic Cond. (8 MFD) Twin Sp'k'r	7464	.75
㉙	Second I.F. Transformer	04320	.45	⑤⑧	Filter Choke	4819	.90
㉚	Resistor (White-White-Orange)	4411	.12		Tube Shields	8005	.03
㉛	Volume Control	8054	.75		Knob (Large)	03063	.05
㉜	Comp. Cond. (2nd I.F. Secondary)	04000-M	.10		Knob (Medium)	03064	.04
㉝	Condenser (Blue and Golden Yellow)	4519	.11		Knob (Small)	03437	.02
㉞	Condenser (Blue and Golden Yellow)	4519	.11		Four Prong Socket	5026	.05
㉟	Condenser	3903-P	.12		Five Prong Socket	4956	.06
㊱	Resistor (Brown-Black-Green)	4409	.12		Six Prong Socket	6417	.06
㊲	Resistor (Yellow-White-Yellow)	4517	.12		Dial, Complete	04832	.24
㊳	Resistor (Red-Green-Orange)	4516	.12		Bezel	6418	.12
㊴	Resistor (Red-Green-Orange)	4516	.12				
㊵	Condenser	3903-P	.12				

Model 15



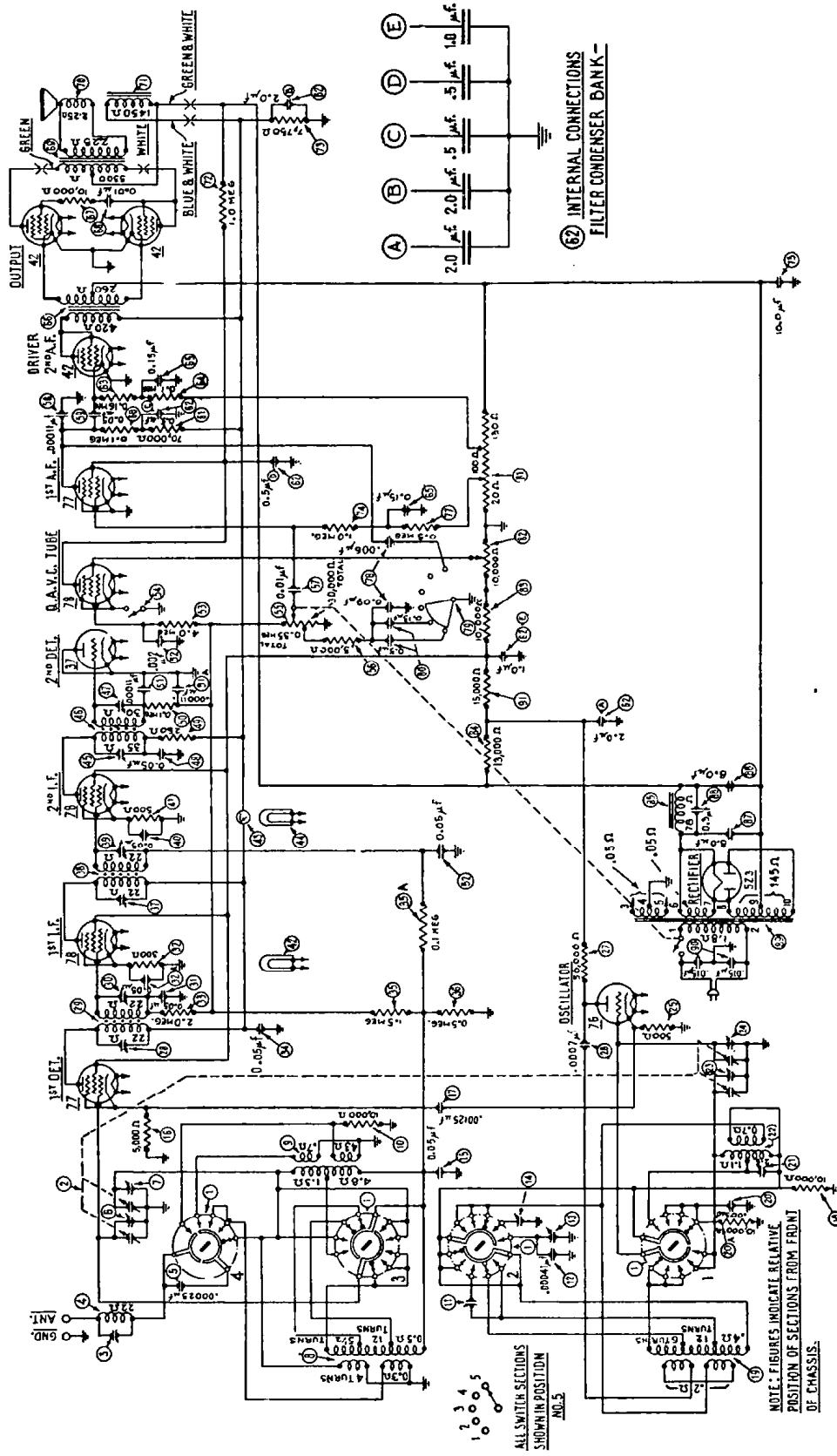
Model 15



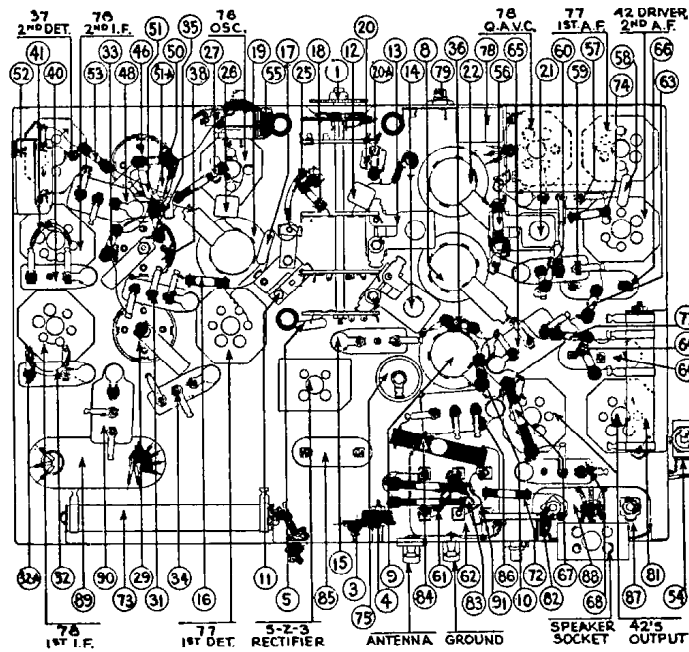
REPLACEMENT PARTS MODEL 15

No. on Figs. 1 and 2	Description	Part No.	Net Price	No. on Figs. 1 and 2	Description	Part No.	Net Price
1	Resistor (10,000 ohms)	4412	.12	49	Condenser (.01 mfd.)	3803-A-D	.09
2	First R. F. Coil	04081	.27	50	Resistor (5,000 ohms)	5310	.12
3	Tuning Condenser Assembly	04941	3.30	51	Pilot Light (Shadow Tuning)	0908	.09
4	Compensating Condenser—First Antenna	04000-E	.06	52	Resistor (1,000,000 ohms)	4409	.12
5	Condenser (.05 mfd.) Double	3615-AM	.12	53	Condenser (.25 mfd. Double)	3557	.27
6	Condenser (.06 mfd.)	3615-L	.10	54	Condenser (.01 mfd.)	3903-T	.10
7	Second R. F. Coil	09082	.18	55	Resistor (25,000 ohms)	4516	.12
8	Compensating Condenser—Second Antenna	04000-E	.06	56	Resistor (1,000,000 ohms)	4409	.12
9	Resistor (494,000 ohms)	4517	.12	57	Resistor (10,000 ohms)	4412	.12
10	Resistor (100,000 ohms)	5331	.12	58	Tone Control	04787	.27
11	Condenser (.55 mmf.)	4900	.11	59	Resistor (490,000 ohms)	4517	.12
12	Condenser (.20 mfd.)	4959-D	.12	60	Resistor (5,000 ohms)	3910	.12
13	Condenser (.25 mfd.)	4954	.24	61	Input Transformer	5662	1.95
14	Pilot Light	0908	.09	62	Resistor (200,000 ohms) across volume control circle—not illustrated	4410	.12
15	Detector Transformer	3881-V	.48	63	Output Transformer	2505	.84
16	Compensating Condenser—Detector	04000-E	.06	64	Condenser (.002 Mfd.) Blue—across primary of output transformer—not illustrated	6853	.18
17	Resistor (499,000 ohms)	4517	.12	65	Voice Coil and Cone Assembly (Large) H-7	02017	.39
18	Distance Switch and Power Switch	04036	.75	66	Field Coil Assembled with Pot (H-7)	02370	1.95
19	Oscillator Coil	04067	.24	67	Voice Coil and Cone Assembly (Small) K-12	02023	.27
20	Condenser (.700 mmf.)	4520	.12	68	Field Coil Assembled with Pot (K-12)	02303	1.35
21	Resistor (51,000 ohms)	4418	.12	69	Condenser (.015 mfd. Double)	3703-E	.12
22	Compensating Condenser—Low Frequency	04000-F	.10	70	Power Transformer (50-60 cycles)	6672	3.30
23	Compensating Condenser—High Frequency	04000-E	.06	71	Power Transformer (25-40 cycles)	6873	3.30
24	Condenser (.90 mfd. and 200 ohm Resistor)	4959-R	.12	72	Power Transformer (50-60 cycles, 230 volts)	0674	3.60
25	Condenser (.110 mfd.)	4519	.11	73	Cabinet Lamp	6600	.36
26	Condenser (.05 mmf.)	3615-J	.11	74	Resistor (50 ohms, 50 ohms, 206 ohms)	6700	.14
27	Compensating Condenser—First I. F. Primary	04000-J	.12	75	Filter Choke	3422	1.60
28	Resistor (1,000,000 ohms)	4409	.12	76	Electrolytic Condenser (5 mfd.)	6707	.90
29	First I. F. Transformer	03035	.45	77	Condenser (.18 mfd.)	4959-K	.15
30	Compensating Condenser—First I. F. Secondary	04000-J	.12	78	Electrolytic Condenser (0 Mfd.)	6708	.90
31	Condenser (.05 mfd.)	3615-J	.11	79	Knob (Large)	08063	.05
32	Resistor (13,000 ohms)	8705	.12	80	Knob (Medium)	03064	.04
33	Pilot Condenser (.015, 3-5, 1. mfd.) 50-60 cycles	02009	1.05	81	Knob (Small)	08037	.02
34	Second I. F. Transformer	06079	.27	82	Knob Spring (Large)	4147	.01
35	Compensating Condenser—Second I. F. Secondary	04000-J	.12	83	Knob Spring (Small)	6202	per C .21
36	Resistor (1,000 ohms)	5637	.12	84	Tube Shield	04062	.48
37	Shadow Tuning Meter	6497	1.35	85	Grid Clips	4907	per L .18
38	Third I. F. Transformer	03345	.45	86	Four Prong Socket	5026	.05
39	Compensating Condenser—Third I. F. Secondary	04000-J	.12	87	Five Prong Socket	4956	.06
40	Resistor (90,000 ohms)	4411	.12	88	Six Prong Socket	4917	.06
41	Condenser (.110 mmf.)	4519	.11	89	Dial Scale	4276	.12
42	Condenser (.110 mmf.)	4519	.11	90	Base	6453	.12
43	Volume Control	4914	.60	91	Pilot Bracket Complete	05016	.12
44				92	Cabinet Lamp Socket	6584	.18
45				93	Cabinet Lamp Socket Insulator	6905	per C .75
46				94	Gone Retaining Ring	3600	per C .27

MODEL 16



Model 16



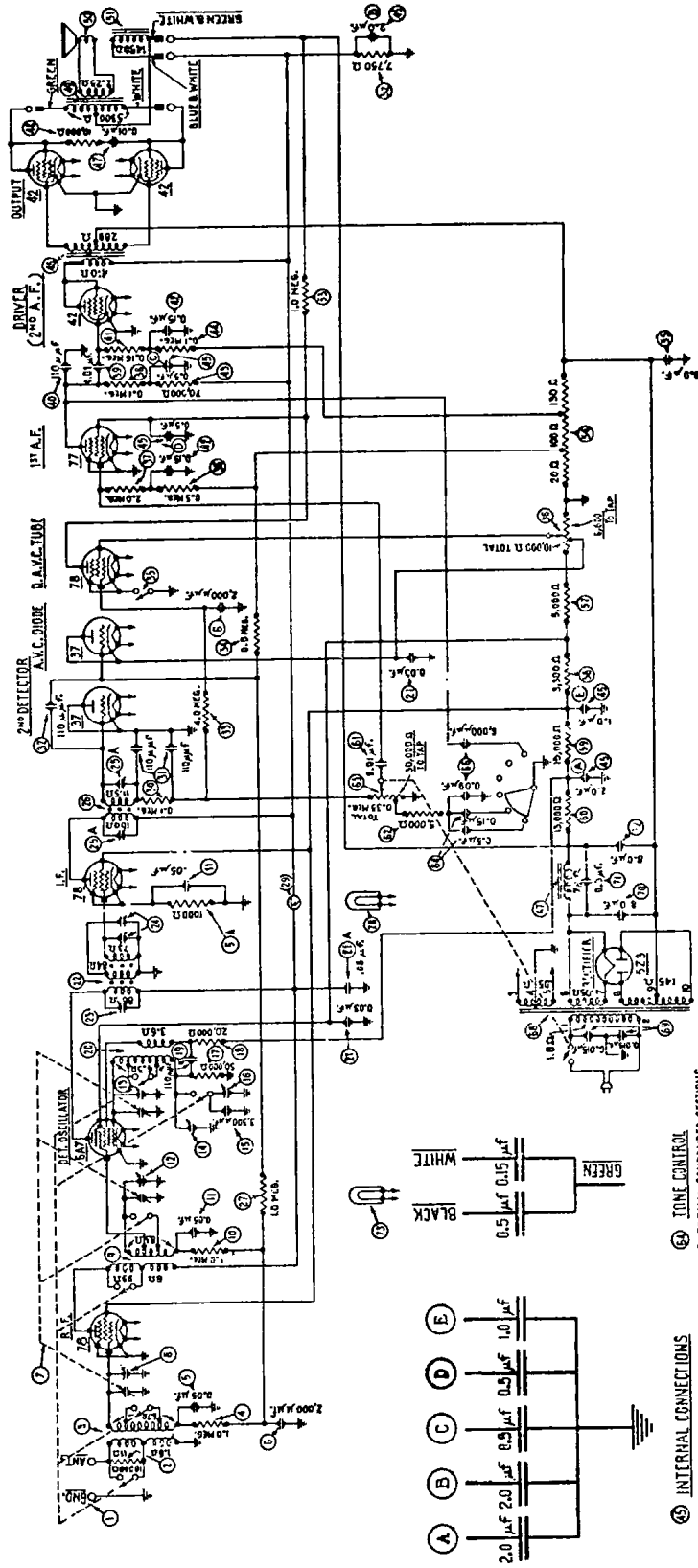
REPLACEMENT PARTS FOR MODEL 16

No. on Figs.	Description	Part No.	NET PRICE	No. on Figs.	Description	Part No.	NET PRICE	DEALER
①	Wave Band Switch	42-1037	1.65	④⑤	Compensating Cond'ner (3d. I. F. Primary)	31-6003		
②	Tuning Condenser Assembly	31-1039		④	3d. I. F. Transformer	32-1188		
③	Compensating Condenser (Wave-trap)	38-5190		④	Compensating Cond'r (3d. I. F. Secondary)	Common with ④		
④	Inductance (Wave-trap) Assembly				④⑥	Condenser	3615-AS	.16
⑤	Condenser	5858	.10	⑤	Resistor (Part of ④)			
⑥	Compensating Condenser (Ant.; H. F.; Part of ③)			⑥	Resistor (White-White-Orange)	4411	.12	
⑦	Compensating Condenser (Ant.; Broadcast and Police; Part of ③)			⑥	Condenser	4519	.11	
⑧	Antenna Transformer (H. F. Bands)	32-1183		⑥a	Condenser	4519	.11	
⑨	Antenna Transformer (B'd'c't & Police B'd's)	32-1182		⑥b	Condenser (Double)	7296-G		
⑩	Resistor (Brown-Black-Orange)	4412	.12	⑥c	Resistor (Yellow-Black-Green)	6010	.12	
⑪	Compensating Condenser (Range 3)	04000-V	.10	⑥d	Switch (Toggle); Interstation Noise Suppression Circuit	42-1036	.24	
⑫	Condenser	30-1000	.12	⑥e	Volume Control and "On-Off" Switch	33-5013	.60	
⑬	Compensating Condenser (Range 2; series)	04000-R	.21	⑥f	Resistor (Green-Black-Red)	5310	.12	
⑭	Compensating Condenser (Range 1; series)	04000-R	.21	⑥g	Condenser	3903-J	.12	
⑮	Condenser	3615-L	.10	⑥h	Condenser	4519	.11	
⑯	Resistor (Green-Black-Red)	5310	.12	⑥i	Condenser	3615-AD	.12	
⑰	Condenser	5858	.16	⑥j	Resistor (White-White-Orange)	4411	.12	
⑱	Resistor (Brown-Black-Orange)	4412	.12	⑥k	Resistor (Violet-Black-Orange)	5335	.12	
⑲	Oscillator Coil (H. F.)	32-1185		⑥l	Filter Condenser Bank	30-4026	1.80	
⑳	Condenser	7301	.21	⑥m	Resistor (Brown-Blue-Yellow)	5331	.12	
㉑	Resistor (Brown-Black-Orange)	4412	.12	⑥n	Resistor (White-White-Orange)	4411	.12	
㉒	Compensating Condenser (Range 1; Shunt)	0-4000-A	.08	⑥o	Condenser (Double)	6287-J		
㉓	Oscillator Coil (Broadcast and Police)	32-1184		⑥p	Input Transformer	32-7067	1.35	
㉔	Compensating Condenser (Osc.; H. F.; Part of ③)			⑥q	Resistor (Brown-Black-Orange)	3524	.12	
㉕	Compensating Condenser (Osc.; Police; Part of ③)			⑥r	Condenser	3903-F	.09	
㉖	Resistor (Flexible Wire-wound; Green-Black-Brown)	6977	.12	⑥s	Output Transformer	32-7062	.90	
㉗	Condenser	5863	.11	⑥t	Voice Coil and Cone Assembly	36-3061	.46	
㉘	Resistor (Green-Brown-Orange)	4237	.12	⑥u	Speaker Field, Assembled with Pol (U-2)	36-3088		
㉙	Compensating Cond'ner (1st. I. F. Primary)	31-6002		⑥v	Resistor (Brown-Black-Green)	4409	.12	
㉚	1st. I. F. Transformer	32-1186		⑥w	Resistor (Wire-wound)	33-3020	.18	
㉛	Compensating Cond'r (1st. I. F. Secondary)	Common with ②		⑥x	Resistor (Brown-Black-Green)	4409	.12	
㉜	Condenser	3615-AB	.12	⑥y	Condenser (Electrolytic)	30-2003	.42	
㉝	Resistor (Flexible Wire-wound; Orange-Black-Brown)	33-3010	.09	⑥z	Resistor (Yellow-White-Yellow)	4517	.12	
㉞	Condenser	3615-AT	.12	⑦	Condenser (Internal to ⑥)			
㉟	Resistor (Red-Black-Green)	5872	.12	⑦	Tone Control	30-4033		
㊱	Condenser	3615-D	.11	⑦	Condensers (External to ⑦)	06713	.27	
㊲	Resistor (Brown-Green-Green)	7009	.12	⑦	Voltage Divider Resistor (Wire-wound)	33-3021	.10	
㊳	Resistor (White-White-Orange)	4411	.12	⑦	Potentiometer (Interstation Noise Suppression Circuit)	33-5015	.48	
㊴	Resistor (Yellow-White-Yellow)	4517	.12	⑦	Resistor (Brown-Black-Orange)	3524	.12	
㊵	Compensating Cond'ner (2d. I. F. Primary)	31-6002	.21	⑦	Resistor (Brown-Orange-Orange)	6450	.21	
㊶	2d. I. F. Transformer	32-1186		⑦	Filter Choke	32-7066	1.11	
㊷	Compensating Cond'r (2d. I. F. Secondary)	Common with ②		⑦	Condenser	6287-F	.08	
㊸	Condenser	3615-AT	.12	⑦	Condenser (Electrolytic)	30-2011	.75	
㊹	Resistor (Flexible Wire-wound; Green-Black-Brown)	6977	.12	⑦	Condenser (Electrolytic)	36-2011	.75	
㊺	Pilot Lamp (Station Selector)	6608	.09	⑦	Power Transformer (50-60~)	32-7058	3.00	
㊻	Shadow Tuning Meter	6497	1.35	⑦	Condenser (Double)	3793-E	.12	
㊼	Pilot Lamp (Shadow Tuning Meter; Part of ㊻)			⑦	Resistor (Brown-Green-Orange)	5718	.24	

NOTE.—Model 16-121 uses a Type 80 tube in lieu of 5-Z-3. Parts used in the 16-121 chassis that differ from the 16-122 parts above listed are:

①	Power Transformer (50-60~)	32-7080	2.70	①	Speaker	K-17		
②	Condenser (Electrolytic) (8.0 Mfd.)	6706	.80	②	Speaker Socket	7054	per C	.45
③	Condenser (Electrolytic) (8.0 Mfd.)	7464	.75	③	Speaker Cable	1.1632		.12

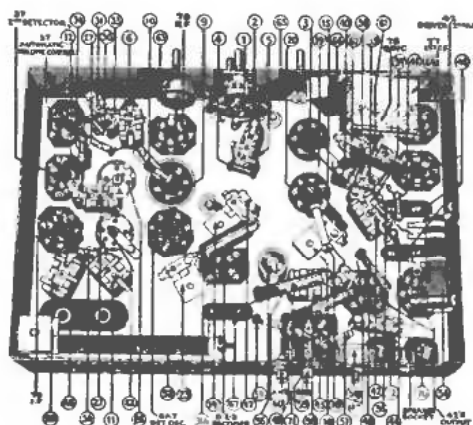
MODEL 17



7TH TONE CONTROL
EXTERNAL CONDENSER SECTIONS

5TH INTERNAL CONNECTIONS
FILTER CONDENSER BANK

MODEL 17

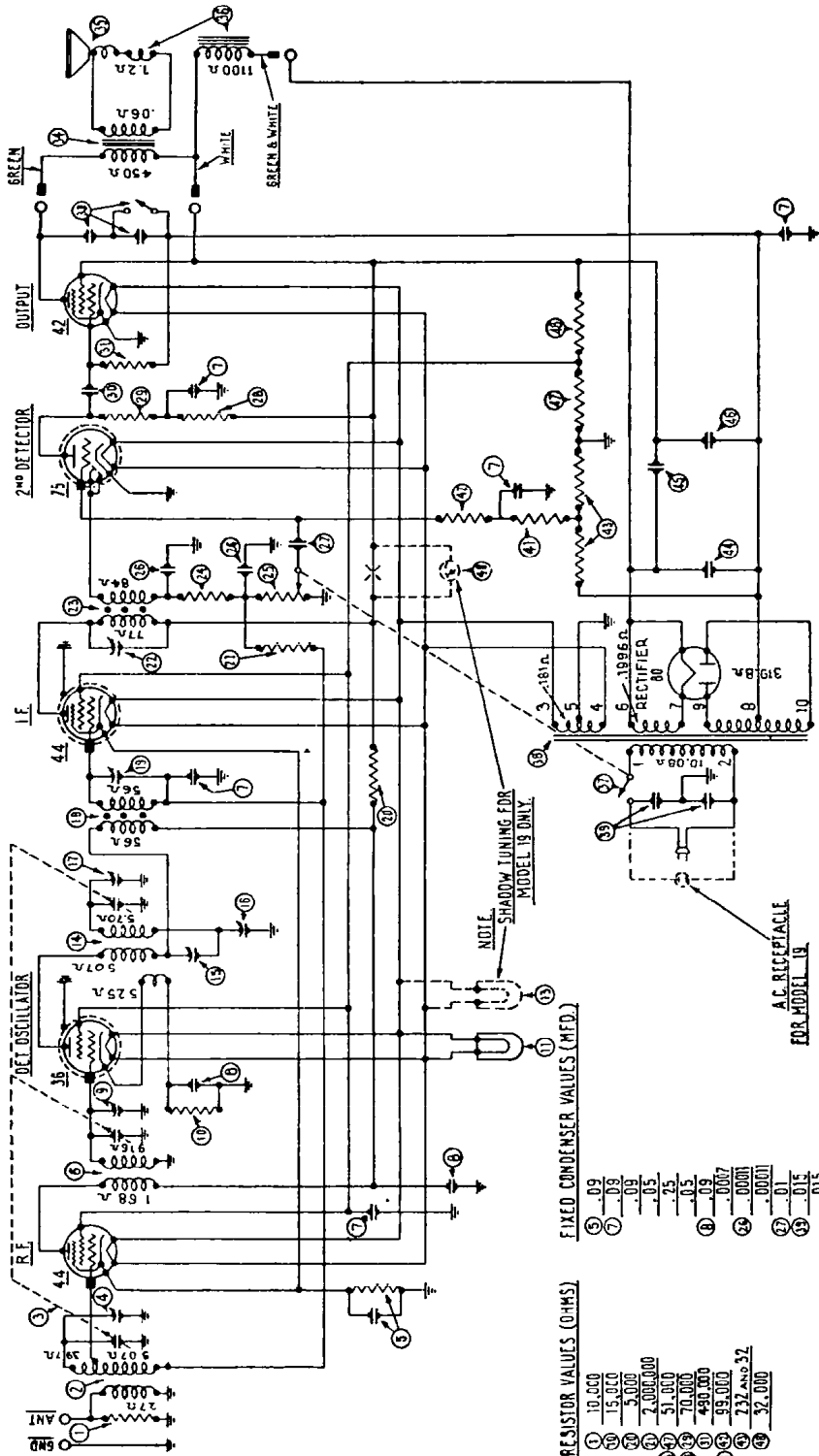


REPLACEMENT PARTS FOR MODEL 17

No. on Figs.	Description	Part Number	DEALER NET PRICE	No. on Figs.	Description	Part Number	List Price	DEALER NET PRICE
①	Wave Band Switch.....	42-1035	.39	⑤②	Resistor (White-White-Orange).....	4411	.20	.12
②	Resistor (Brown-Black-Orange).....	4412	.12	⑤③	Condenser.....	3903-L	.16	.10
③	Antenna Transformer.....	32-1170	.42	⑤④	Condenser.....	4519	.18	.11
④	Resistor (Brown-Black-Green).....	4409	.12	⑤⑤	Resistor (Brown-Blue-Yellow).....	5331	.20	.12
⑤	Condenser.....	3615-BC	.10	⑤⑥	Condenser.....	6287-H	.20	.12
⑤a	Resistor (Brown-Black-Red).....	5837	.12	⑤⑦	Resistor (Violet-Black-Orange).....	5385	.20	.12
⑥	Condenser (Double).....	7296-E	.10	⑤⑧	Resistor (White-White-Orange).....	4411	.20	.12
⑦	Tuning Condenser Assembly.....	31-1041	2.25	⑤⑨	Filter Condenser Bank.....	30-4026	1.80
⑧	Compensating Condenser (Ant.; Part of ⑦).....	⑤⑩	Input Transformer.....	32-7057	1.35
⑨	1st. Detector Transformer.....	32-1171	.42	⑤⑪	Condenser.....	3903-F	.15	.09
⑩	Resistor (Brown-Black-Green).....	4409	.12	⑤⑫	Resistor (Brown-Black-Orange).....	3524	.20	.12
⑪	Condenser (Double).....	3615-AP	.11	⑤⑬	Output Transformer.....	32-705290
⑫	Compensating Condenser (Det.; Part of ⑦).....	⑤⑭	Voice Coil & Cone Assembly.....	36-306145
⑬	Compensating Cond. (Osc.; Part of ⑦).....	⑤⑮	Speaker Field, Assembled with Pot, (U-2).....	36-3088
⑭	Compensating Condenser (Oscillator).....	04000-R	.21	⑤⑯	Resistor (Wire-Wound).....	83-302018
⑮	Condenser.....	7301	.21	⑤⑰	Resistor (Brown-Black-Green).....	4409	.20	.12
⑯	Compensating Cond. (High Freq.).....	04000-R	.21	⑤⑱	Voltage Divider Resistor (Wire-Wound).....	33-302110
⑰	Resistor (Green-Brown-Orange).....	4518	.12	⑤⑲	Condenser (Electrolytic).....	30-200342
⑱	Resistor (Red-Black-Orange).....	6649	.12	⑤⑳	Potentiometer (Interstation Noise Supp. Ckt.).....	33-501548
⑲	Condenser.....	4519	.11	⑤㉑	Resistor (Green-Black-Red).....	5310	.20	.12
⑳	Oscillator Transformer.....	32-1172	.45	⑤㉒	Resistor (Orange-Orange-Red).....	7238	.20	.12
㉑	Condenser (Double).....	8318-C	.11	⑤㉓	Resistor (Brown-Green-Orange).....	5718	.40	.24
㉒	Condenser.....	30-4012	.09	⑤㉔	Resistor (Brown-Orange-Orange).....	6450	.35	.21
㉓	1st I. F. Transformer.....	32-1173	.45	⑤㉕	Condenser.....	3903-L	.16	.10
㉔	Compensating Cond. (1st. I. F. Pri.).....	04000-M	.10	⑤㉖	Resistor (Green-Black-Red).....	5310	.20	.12
㉕	Compensating Cond. (1st. I. F. Sec.).....	31-6031	.21	⑤㉗	Volume Control & "On-Off" Switch.....	33-501360
㉖	Compensating Cond. (1st. I. F. Tert.).....	⑤㉘	Condenser (External to ⑤㉓).....	06713	.45	.27
㉗	Compensating Cond. (2nd. I. F. Pri.).....	31-6030	.21	⑤㉙	Tone Control.....	30-402827
㉘	Compensating Cond. (2nd. I. F. Sec.).....	⑤㉚	Condensers (Internal to ⑤㉓).....
㉙	2nd. I. F. Transformer.....	32-1174	.36	⑤㉛	Filter Choke.....	32-7056	1.11
㉚	Resistor (Brown-Black-Green).....	4409	.12	⑤㉜	Power Transformer (50-60VA).....	32-7058	3.00
㉛	Pilot Lamp (Shadow Tuning Meter); (Part of ⑳).....	⑤㉝	Condenser (Double).....	3793-R	.25	.15
㉜	Shadow Tuning Meter.....	6497	1.35	⑤㉞	Condenser (Electrolytic).....	30-201175
㉝	Resistor (White-White-Orange).....	4411	.12	⑤㉟	Condenser.....	6287-F	.12	.08
㉞	Condenser (Double).....	8035-C	.10	⑤㊱	Condenser (Electrolytic).....	30-201176
㉟	Condenser.....	4519	.11	⑤㊲	Pilot Lamp (Station Selector).....	6608	.12	.08
㊱	Resistor (Yellow-Black-Green).....	6010	.12	⑤㊳	Tube Shield.....	28-1107	.10	.06
㊲	Resistor (Yellow-White-Yellow).....	3769	.12	⑤㊴	Four Prong Socket.....	7545	.08	.06
㊳	Switch (Toggle); (Interstation Noise Supp. Ckt.).....	42-1036	.24	⑤㊵	Five Prong Socket.....	7546	.10	.06
㊴	Resistor (Yellow-White-Yellow).....	4517	.12	⑤㊶	Six Prong Socket.....	7547	.10	.06
㊵	Resistor (Red-Black-Green).....	5872	.12	⑤㊷	Seven Prong Socket.....	27-6005	.10	.06
				⑤㊸	Knob (large).....	03063	.08	.05
				⑤㊹	Knob (small).....	03064	.08	.04

NOTE: Model 17-121 uses a Type 80 tube in lieu of 5Z3; Power Transformer (50-60VA) ⑤ No. 32-7080; Resistors (Brown-Black-Orange) No. 42-1024 in both ⑤ and ⑥; Electrolytic Condensers ⑤ No. 6707 and ⑤ No. 7464; Speaker "K-17"; Speaker Socket No. 7084; Speaker Cable L-1632

Models 19 and 89



RESISTOR VALUES (OHMS)

- ① 10,000
- ② 15,000
- ③ 5,000
- ④ 2,000,000
- ⑤ 51,000
- ⑥ 70,000
- ⑦ 400,000
- ⑧ 50,000
- ⑨ 232 AND 32
- ⑩ 52,000

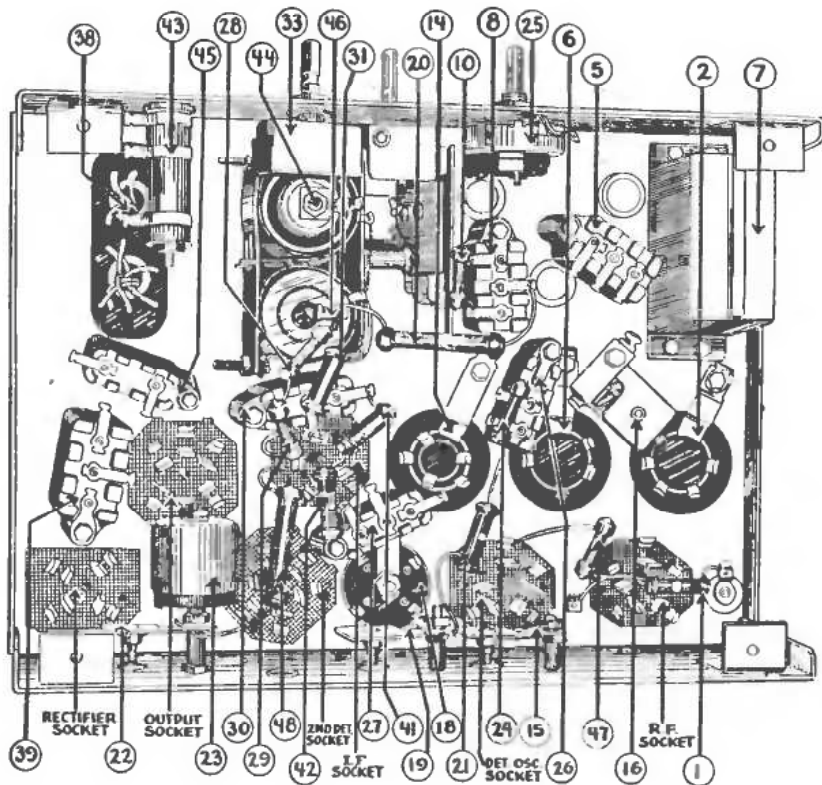
FIXED CONDENSER VALUES (MFD.)

- ⑪ .09
- ⑫ .08
- ⑬ .08
- ⑭ .05
- ⑮ .25
- ⑯ .05
- ⑰ .09
- ⑱ .007
- ⑲ .0001
- ⑳ .01
- ㉑ .015
- ㉒ .015
- ㉓ .05

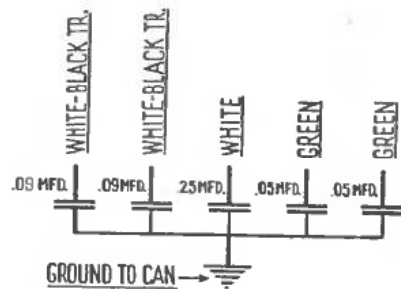
NOTE: SHADOW TUNING FOR MODEL 19 ONLY.

A.C. RECEPTACLE FOR MODEL 19

Models 19 and 89



Bottom View of Chassis, Showing Parts

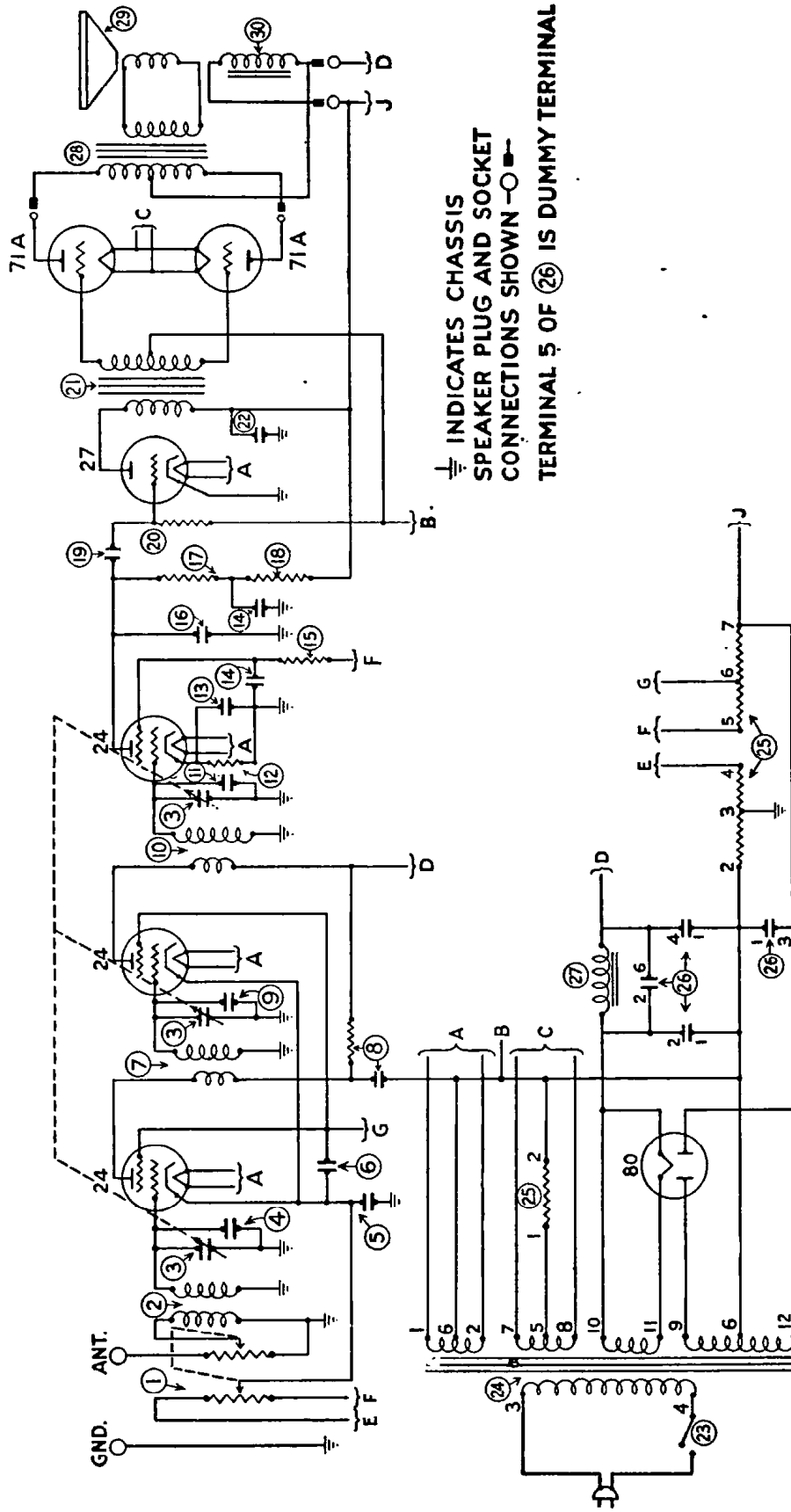


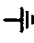


Internal Connections Filter Condenser.

Replacement Parts for Models 19 and 89

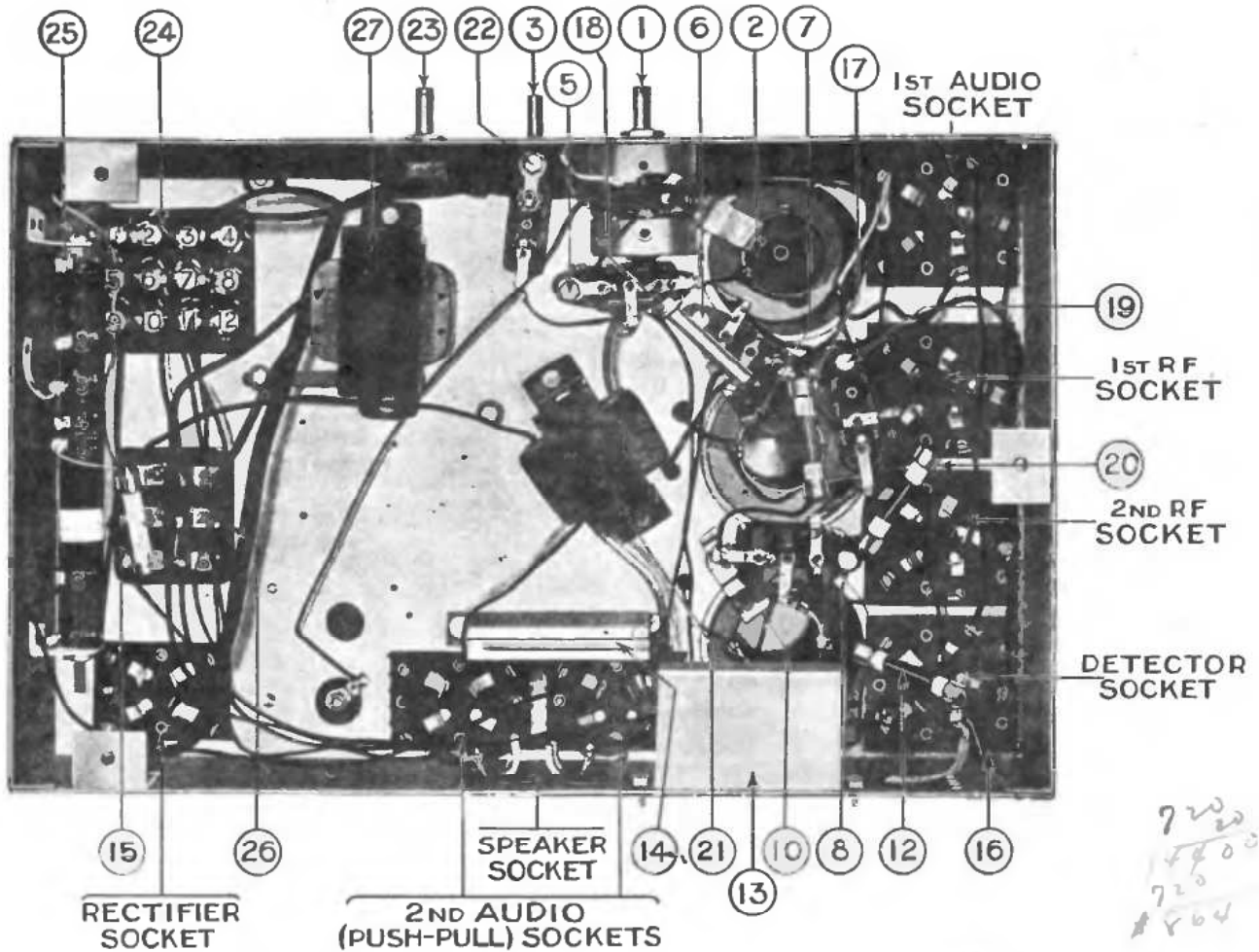
	Part No.	DEALER NET PRICE		Part No.	DEALER NET PRICE
Ⓐ	Resistor (10,000 Ohms) Brown-Black-Orange	.12	Ⓓ	Resistor (70,000 Ohms) Violet-Black-Orange	.12
Ⓑ	Antenna Transformer	.27	Ⓔ	Condenser (.01 Mfd.)	.10
Ⓒ	Tuning Condenser Assembly	2.40	Ⓕ	Resistor (490,000 Ohms) Yellow-White-Yellow	.12
Ⓓ	Compensating Condenser-(R.F. Part of Tuning Condenser Assembly)		Ⓖ	Bezel	.12
Ⓔ	Condenser and Resistor-(.09 Mfd. and 200Ω)	.12	Ⓙ	Tone Control	.24
Ⓕ	Interstage Transformer	.27	Ⓚ	Output Transformer	.75
Ⓖ	Filter Cond. Bank (.09-.09-.05-.05-.25)	.45	Ⓛ	Voice Coil and Cone Assembly	.27
Ⓗ	Condenser (Double-.09 and .0007 Mfd.)	.10	Ⓜ	Speaker Field and Bucking Coil Assembled with Pot (K-7)	1.35
Ⓘ	Compensating Condenser-(R.F. Part of Tuning Condenser Assembly)		Ⓝ	Switch(A.C.)Part of Vol.Control Assembly	
Ⓚ	Resistor (15,000 Ohms) Brown-Green-Orange	.12	Ⓖ	Power Transformer (50-60 Cycles, 115 Volts)	1.80
Ⓛ	Pilot Lamp	.09	Ⓗ	Power Transformer (25-40 Cycles-115 Volts)	2.70
Ⓜ	Dial Scale	.08	Ⓛ	Power Transformer (50-60 Cycles-230 Volts)	1.80
Ⓝ	Pilot Lamp-(Shadow Tuning)	.09	Ⓜ	Condenser (Double-.015 and .015 Mfd.) Shadow Tuning	1.35
Ⓖ	Oscillator Transformer	.45	Ⓝ	Resistor (99,000 Ohms) White-White-Orange	.12
Ⓗ	Compensating Condenser -(1st I.F. Primary)	.10	Ⓗ	Resistor (1,000,000 Ohms) Brown-Black-Green	.12
Ⓛ	Compensating Condenser -(Low Frequency)	.15	Ⓘ	B.C. Resistor (235 Ohms and 32 Ohms-Wire Wound)	.09
Ⓜ	Compensating Condenser-(R.F. Part of Tuning Condenser Assembly)		Ⓛ	Electrolytic Condenser-6 Mfd.	.60
Ⓝ	First I.F. Transformer	.30	Ⓜ	Condenser (.05 Mfd.)	.12
Ⓗ	Compensating Condenser (1st I.F. Secondary)	.10	Ⓝ	Electrolytic Condenser-6 Mfd.	.60
Ⓔ	Resistor (5,000 Ohms) Green-Black-Red	.12	Ⓗ	Resistor (51,000 Ohms) Green-Brown-Orange	.12
Ⓕ	Resistor (2,000,000 Ohms) Red-Black-Green	.12	Ⓘ	Resistor (32,000 Ohms) Orange-Red-Orange	.12
Ⓖ	Compensating Cond. (2nd I.F. Primary)	.08	Ⓛ	Tube Shield	.03
Ⓗ	Second I.F. Transformer	.60	Ⓜ	Knob (Large)	.05
Ⓘ	Resistor (51,000 Ohms) Green-Brown-Orange	.12	Ⓝ	Knob (Small)	.04
Ⓚ	Volume Control and A.C. Switch	.48	Ⓗ	Knob Spring	.21
Ⓛ	Condenser (Double-.00011 & .00011 Mfd.)	.10	Ⓘ	Grid Clip	.18
Ⓜ	Condenser (.01 Mfd.)	.09	Ⓛ	Four Prong Socket	.04
Ⓝ	Resistor (70,000 Ohms) Violet-Black-Orange	.12	Ⓜ	Five Prong Socket	.05
			Ⓝ	Six Prong Socket	.06
			Ⓗ	Pilot Lamp Shield	.24

Models 20, 20-A and 21



 INDICATES CHASSIS
 SPEAKER PLUG AND SOCKET
 CONNECTIONS SHOWN
 TERMINAL 5 OF 26 IS DUMMY TERMINAL

Models 20, 20-A and 21

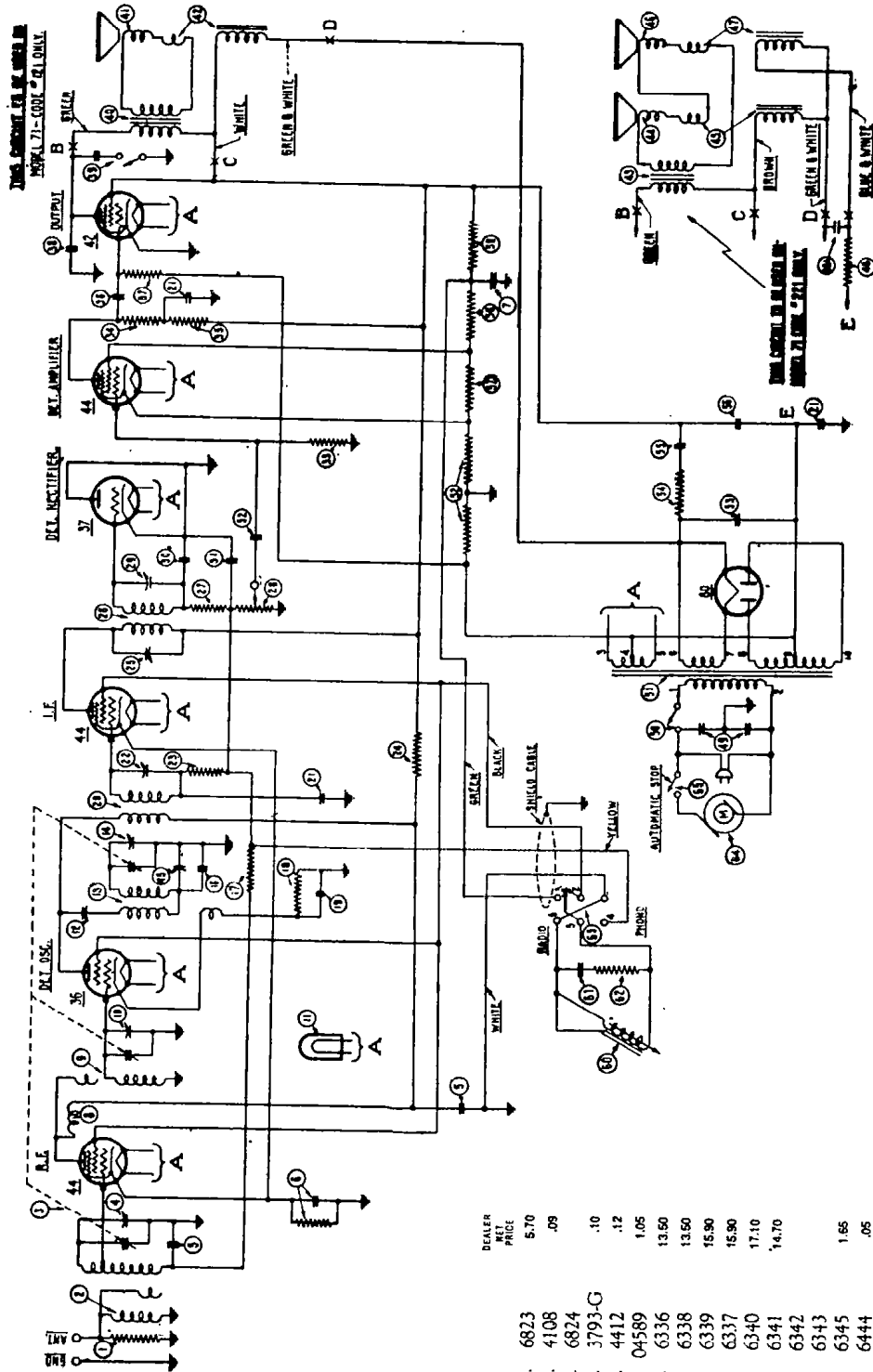


REPLACEMENT PARTS—MODELS 20, 20 A and 21

No.	Description	Part No.	DEALER NET PRICE	No.	Description	Part No.	DEALER NET PRICE
①	Volume Control	4094	.76	②④	Power Transformer (50-60 cycle)	4234	3.60
②	First R. F. Transformer	3884-N	.45		Power Transformer (25-60 cycle)	4268	7.20
③	Tuning Condenser	4200-A	2.85	②⑤	B. C. Resistor	4230	.51
④	First Compensating Condenser (Part of Tuning Condenser Assembly)			②⑥	Filter Condenser (50-60 cycle)	4235	2.25
⑤	By-Pass Condenser (.05)	3615-J	.11		Filter Condenser (25-60 cycle)	4269	3.30
⑥	By-Pass Condenser (.05)	3615-M	.11	②⑦	Filter Choke	4231	.90
⑦	Second R. F. Transformer	3884-P		②⑧	Push-Pull Output Transformer	2766	1.20
⑧	By-Pass Condenser (.05) and Resistor	3615-K	.18	②⑨	Voice Coil and Cone	2769-B	.45
⑨	Second Compensating Con- denser			③⑩	Field Coil	2768	.75
	(Part of Tuning Condenser Assembly)				Speaker Plug and Cord	L-1124-A	.24
⑩	Third R. F. Transformer	3884-P	.51		Four-Prong Socket Assembly	3977-A	.05
⑪	Third Compensating Condenser (Part of Tuning Condenser Assembly)				Speaker Socket	3977-B	.05
⑫	Resistor (50,000)	4237	.12		Five-Prong Socket Assembly	3979-A	.06
⑬	By-Pass Condenser (.5)	3583	.24		R. F. Tube Shield	4228-A	.24
⑭	By-Pass Condenser (double .25)	3557	.27		Volume Control Insulators	4092	.01
⑮	Resistor (250,000)	3768	.12		Volume Control Insulators	4286	.01
⑯	By-Pass Condenser (.00025)	3082	.12		Tuning Condenser Dial Scale	4261	.12
⑰	Resistor (500,000)	3769	.12		A. C. Cord	L-943-A	.30
⑱	Resistor (100,000)	3767	.12		Knob (Large)	4289-A	.05
⑲	Condenser (.01)	3903-F	.09		Knob (Small)	4290-A	.03
⑳	Resistor (500,000)	3769	.12		Cabinet	34000	
㉑	Push-pull Input Transformer	4232	1.35		Bezel Plate	4252	.12
㉒	By-Pass Condenser (.05)	3615-L	.10		Fahnstock Clip	L-1126	.01
㉓	On-off Switch	4095	.30		Finishing Rosettes	4267	.02
					Speaker Mounting Screws (three used)	W-493	per C .24
					Speaker Mounting Screws (one used)	W-483	per C .21
					Chassis Hold-Down Bolts	W-490	.02
					Feet	W-353	.03

Note:—R. F. Transformers ②, ⑦ and ⑩ should not be confused with R. F. Transformers ①, ⑥, ⑧ and ⑪ on Bulletin 28. They are not interchangeable.

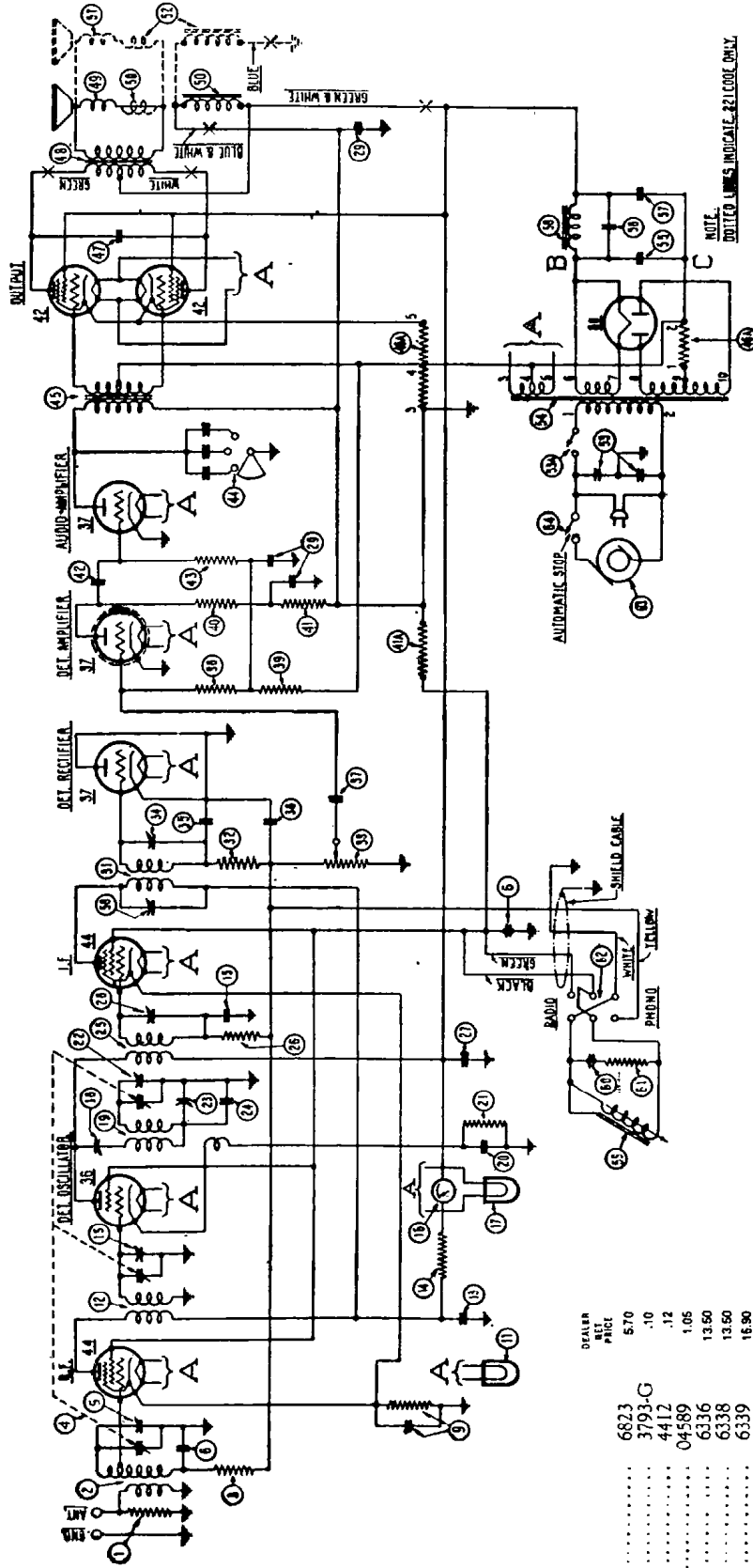
Model 22L Radio-Phonograph



	DEALER PRICE
(60) Electric pickup.....	5.70
Needle screw.....	.09
Tone Arm complete with pickup.....	.10
(61) Condenser (.015 Mfd.).....	.12
(62) Resistor (10,000 ohms).....	1.05
(63) Radio-phonograph Switch.....	13.50
(64) Motor (115 volts 60 cycles).....	13.50
Motor (115 volts 50 cycles).....	15.90
Motor (115 volts 40 cycles).....	15.90
Motor (230 volts 25 cycles).....	17.10
Motor (230 volts 60 cycles).....	14.70
Motor (230 volts 50 cycles).....	
Motor (230 volts 40 cycles).....	
(65) Motor Switch.....	1.65
Switch Plate.....	.05
Switch Indicator.....	.21
Switch Knob.....	.02
Needle Cup (2 used).....	.10
Used Needle cup.....	.18
Motor Speed Indicator Plate.....	.05
Turntable.....	1.50
Cord Connector Plug.....	.15
Cord Connector Assembly.....	4124-A

The Model 22L has the same radio chassis as the model 71-221 except for the additional wiring of the phonograph equipment.

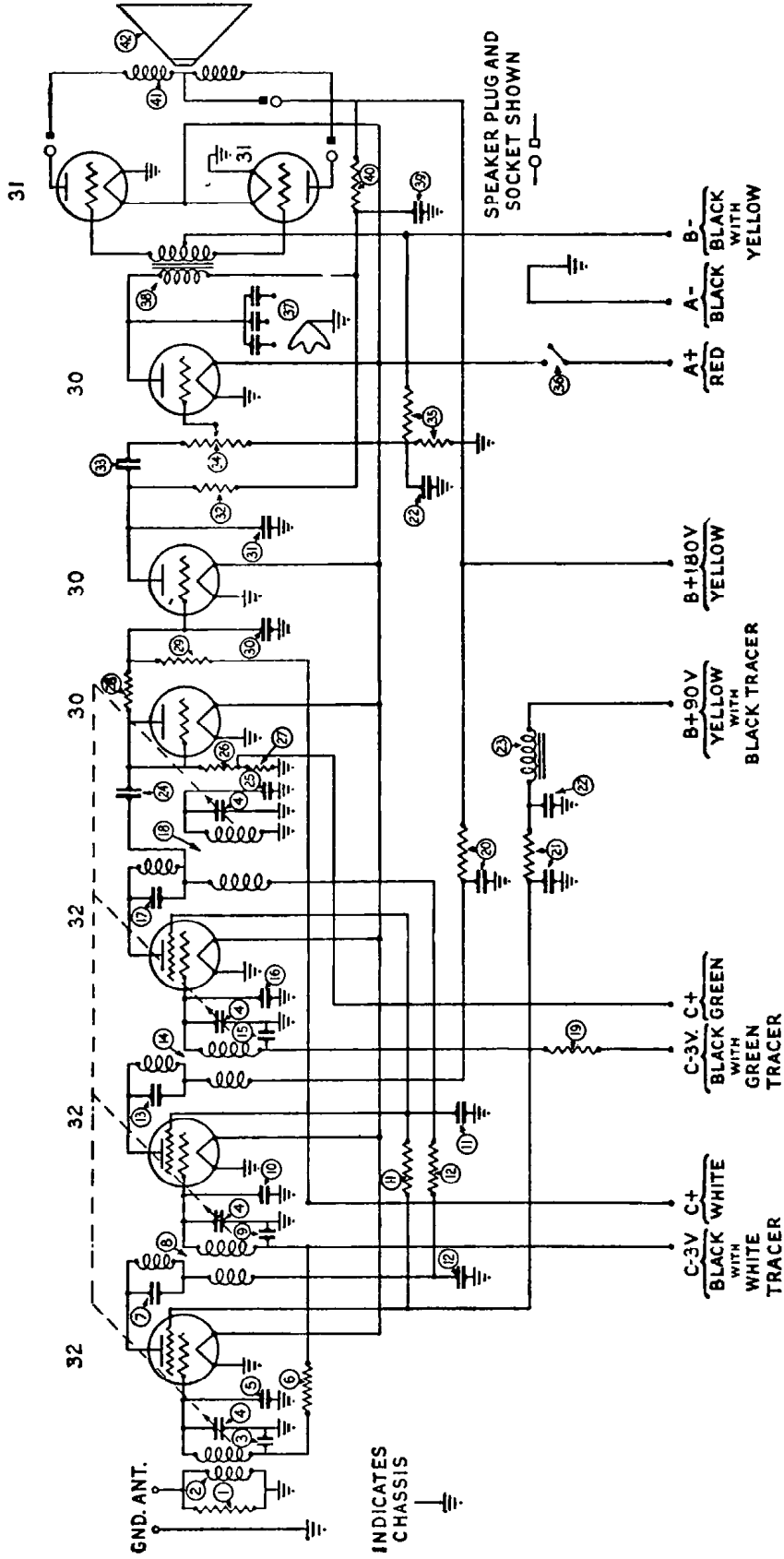
Model 23X Radio-Phonograph



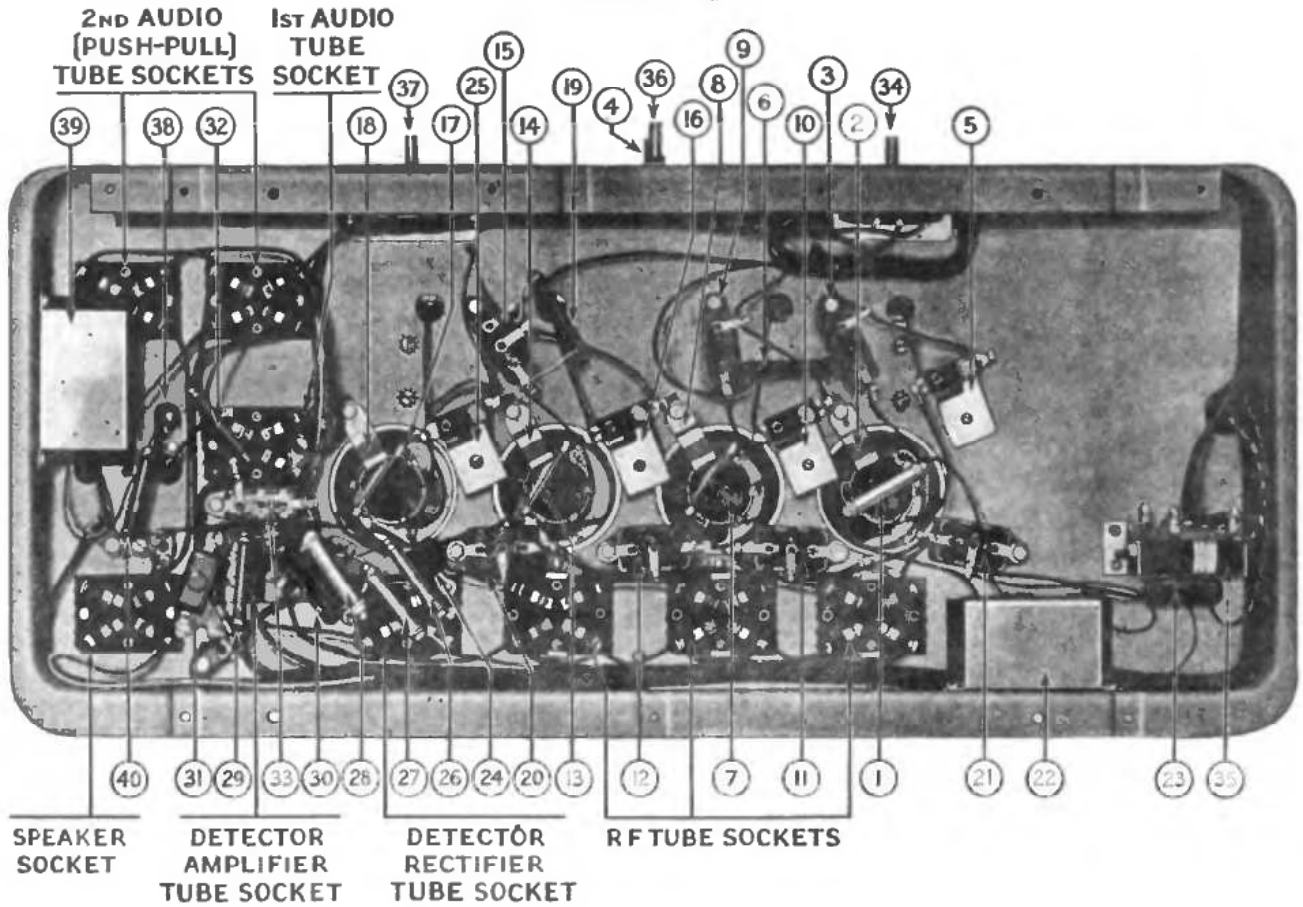
PART NO.	DESCRIPTION	PRICE
6823	Electric Pickup.....	5.70
3793-G	Condenser (.015 Mfd.).....	.10
4412	Resistor 10,000 ohms.....	.12
04589	Radio-phonograph switch.....	1.05
6336	Motor (115 volts 50 cycles).....	13.50
6338	Motor (115 volts 60 cycles).....	13.50
6339	Motor (115 volts 40 cycles).....	16.90
6337	Motor (115 volts 25 cycles).....	16.90
6340	Motor (230 volts 60 cycles).....	17.10
6341	Motor (230 volts 50 cycles).....	14.70
6342	Motor (230 volts 40 cycles).....	14.70
6343	Motor Switch.....	1.66
6345	Needle Screw.....	.08
4108	Tone Arm complete with pickup.....	.06
6824	Switch plate.....	.21
6444	Switch indicator.....	.02
4227	Switch knob.....	.10
03437	Needle Cup (2 used).....	.18
4101	Used Needle Cup.....	.06
4102	Motor Speed Indicator Plate.....	1.50
6347	Turntable.....	.36
6344	Cord Connector Plug.....	.03
4091	Cord Connector Assembly.....	
4124-A	Rubber Washer (4 used for motor board).....	

The model 23X has the same radio chassis as the model 91-221 except for the additional wiring of the phonograph equipment.

Model 30



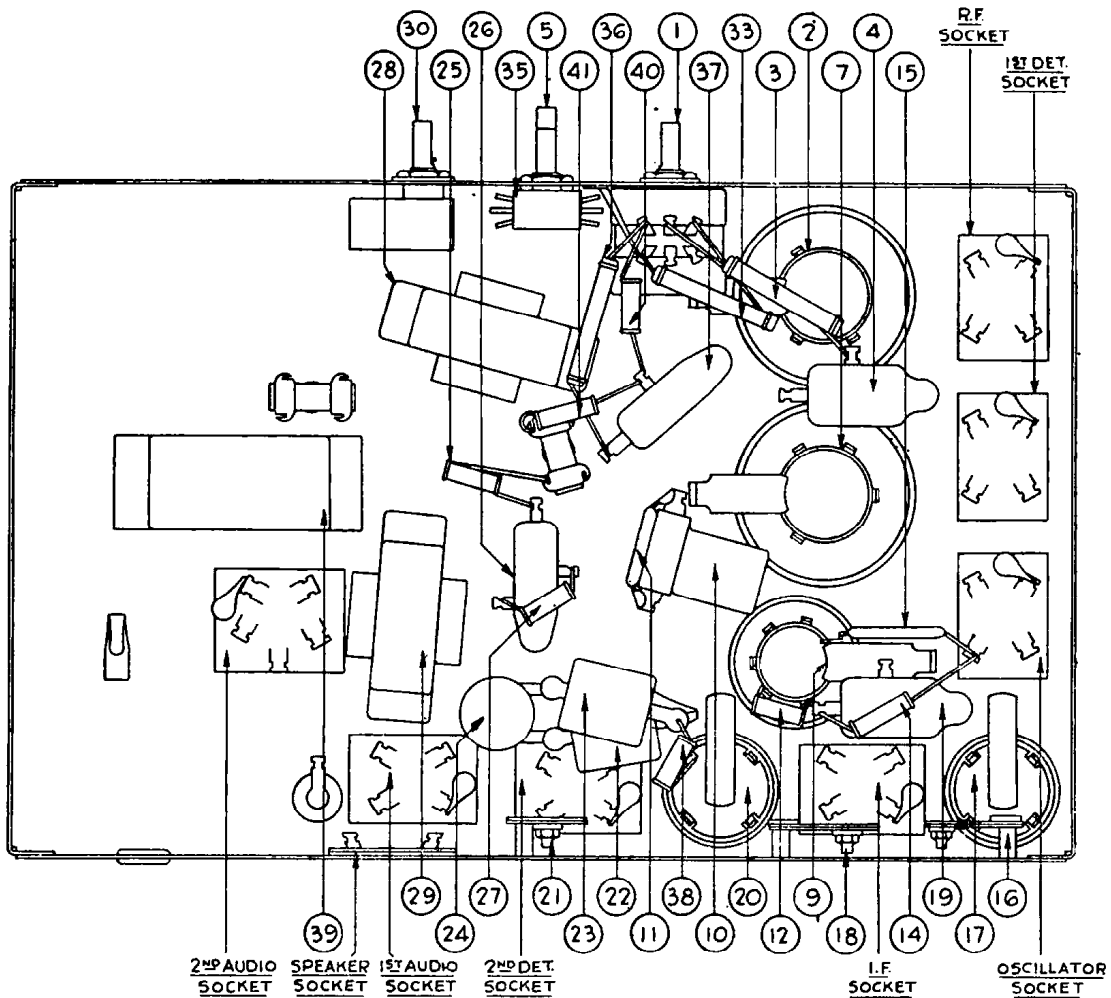
Model 30



REPLACEMENT PARTS LIST

No. on Figs. 1 and 2	Description	Part No.	NET PRICE	No. on Figs. 1 and 2	Description	Part No.	NET PRICE
①	Resistor (5000)	3526	.12	②	Resistor (100,000)	3767	.12
②	Antenna Coil	4182-A	.36	③	Resistor (250,000)	3768	.12
③	By-Pass Condenser (.05)	3615-E	.12	④	Resistor (500,000)	3769	.12
④	Tuning Condenser	4000-G	6.00	⑤	By-Pass Condenser (.000250)	3082	.12
⑤	Compensating Condenser	3968-A	.12	⑥	By-Pass Condenser (.000250)	3082	.12
⑥	Resistor (70,000)	3542	.12	⑦	Resistor (500,000)	3769	.12
⑦	Coupling Condenser	3892-A	.09	⑧	By-Pass Condenser (.01)	3903-F	.09
⑧	Coil—2d R. F.	4182-B	.60	⑨	Volume Control	4093	.84
⑨	By-Pass (.05)	3615-E	.12	⑩	Resistor	3864	.36
⑩	Compensating Condenser	3968-A	.12	⑪	On-Off Switch	4095	.30
⑪	By-Pass Condenser (.05) and Resistor	3615-B	.18	⑫	Tone Control	4037-A	.39
⑫	By-Pass Condenser (.05) and Resistor	3615-C	.18	⑬	Audio Transformer	3242	1.65
⑬	Coupling Condenser	3892-A	.09	⑭	By-Pass Condenser (Single .25)	4264	.24
⑭	Coil—3d R. F.	4182-B	1.20	⑮	Resistor (25,000)	3656	.12
⑮	By-Pass Condenser (.05)	3615-F	.12	⑯	Speaker Motor	2761	3.60
⑯	Compensating Condenser	3968-A	.12	⑰	Cone Assembly	2764-A	.24
⑰	Coupling Condenser	3892-A	.09		Speaker Cord and Plug	L-1127-A	.39
⑱	Coil—4th R. F.	4182-B	.60		Knob (Large)	3580-A	.07
⑲	Resistor (500,000)	3769	.12		Knob (Small)	3579-A	.04
⑳	By-Pass Condenser (.05) and Resistor	3615-C	.18		Spring (For 3579 and 3580)	3305	.02
㉑	By-Pass Condenser (.05) and Resistor	3615-B	.18		Knob (Switch)	4146-A	.03
㉒	By-Pass Condenser (Double .25)	3557	.27		Spring (For 4146)	4147	.01
㉓	Filter Choke	3518	1.65		Tuning Scale	4139	.16
㉔	Condenser (.00005)	3774	.15		Grid Clip	4060-A	.02
㉕	Compensating Condenser	3772-A	.08		"A" Battery (2-volt) "Philco Dynamic 92-R"		
㉖	Resistor (100,000)	3767	.12		Tube Socket (32 type tube) Assembly	3977-C	.12
					Tube Socket	3977-A	.06
					Speaker Socket	3977-B	.05

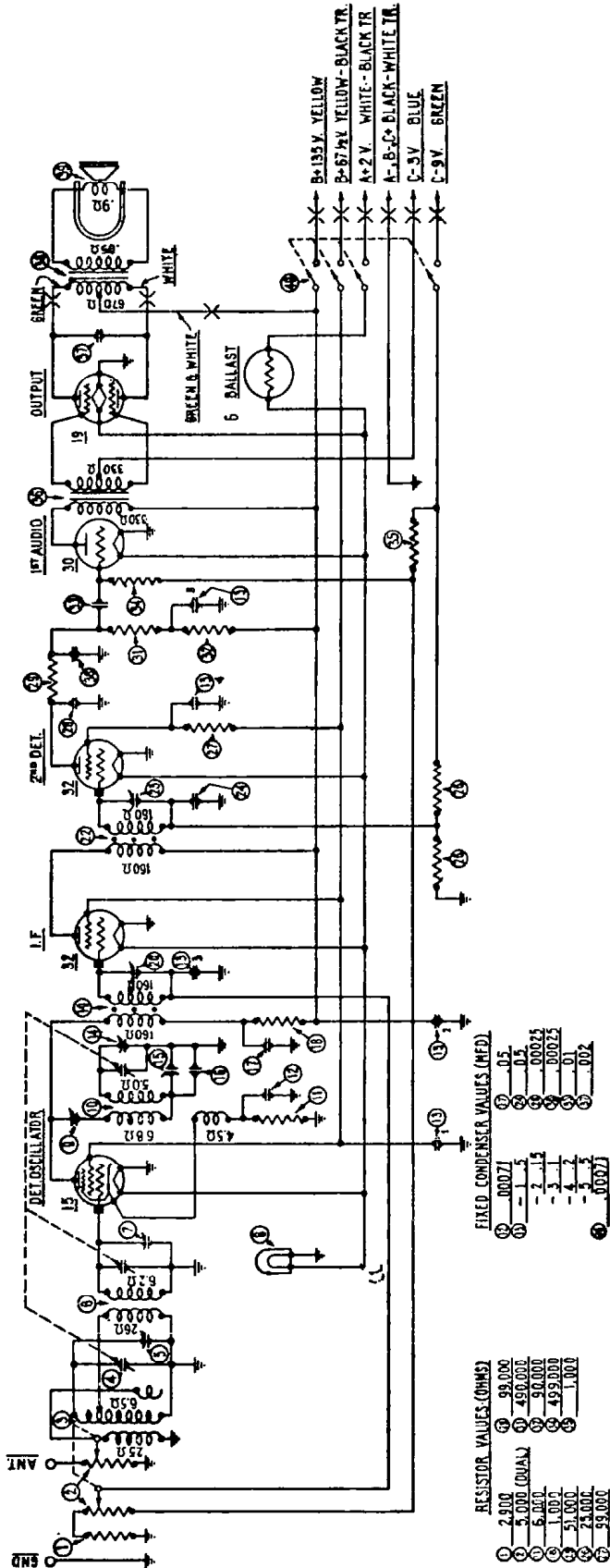
Model 35

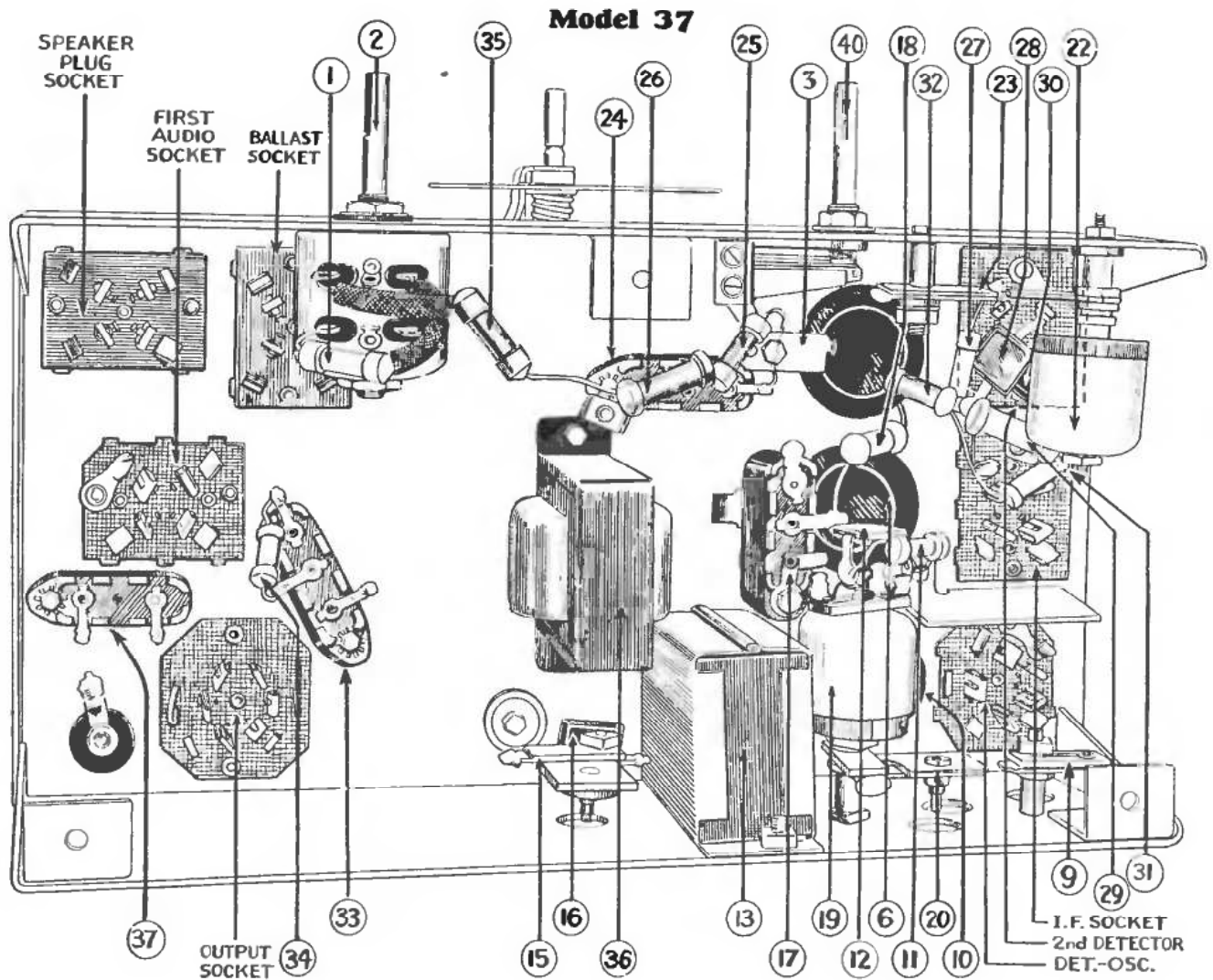


REPLACEMENT PARTS LIST

	Part No.	NET PRICE		Part No.	NET PRICE	DEALER NET PRICE	
①	Volume Control	5317	.90	②⑤	Detector R. F. Choke	03086	.21
②	Antenna Coil	03320	.45	②	Resistor (240,000 Ohms)	4410	.12
③	Resistor (240,000 Ohms)	3768	.16	②⑥	Condenser (.01 mfd.)	3903-1	.12
④	By-pass Condenser (.09 mfd.)	4989-B	.14	②⑦	Resistor (490,000 Ohms)	4517	.12
⑤	Tuning Condenser	03076	3.00	②⑧	Choke	5314	1.05
⑥	Compensating Condenser (part of tuning condenser assembly)			②⑨	Input Transformer	5315	1.36
⑦	First Detector Transformer	03083	.33	②⑩	Tone Control	03140	.24
⑧	Compensating Condenser (part of tuning condenser assembly)			②⑪	Output Transformer	2646	.96
⑨	Oscillator Coil	03321	.30	②⑫	Voice Coil and Cone	02949	.45
⑩	Compensating Condenser, Assembled	03249	.18	②⑬	Resistor (3000 Ohms)	5309	.16
⑪	Condenser (410 mmf.)			②⑭	Pilot Lamp	5316	.18
⑫	Resistor (51,000 Ohms)	4518	.12	②⑮	Switch	5318	.60
⑬	Compensating Condenser (part of tuning condenser assembly)			②⑯	Resistor (32,000 Ohms)	3525	.16
⑭	Resistor (51,000 Ohms)	4518	.12	②⑰	Condenser (.09 mfd.)	4989-F	.11
⑮	Condenser (110 mmf.)	4519	.11	②⑱	Resistor (99,000 Ohms)	1411	.12
⑯	Compensating Condenser, Assembled	03411	.10	②⑲	Condenser (2 mfd.)	03295	.60
⑰	First I. F. Transformer	03009	.51	②⑳	Resistor (5,000 Ohms)	5310	.12
⑱	Compensating Condenser, Assembled	03411	.10	③	Resistor (10,000 Ohms)	4412	.12
⑲	Condenser (.09 mfd.)	4989-B	.14		Knob (Large)	03063	.05
⑳	Second I. F. Transformer	03092	.48		Knob (Small)	03064	.04
㉑	Compensating Condenser, Assembled	03411	.10		Spring (For Switch Knobs)	4147	.01
㉒	Condenser (.002 mfd.)	4059	.18		Spring (For Dial Knobs)	5262	per C .21
㉓	Condenser (.002 mfd.)	4059	.18		Tube Shield	03306	.21
					Grid Clip	4897	per C .18
					Grommet (R. F. Transformer Shield)	3747	.02
					Four Prong Socket Assembly	4955	.06
					Five Prong Socket Assembly	4956	.06
					Volume Control Insulator	4092	.01
					Volume Control Insulator	4286	.01
					Dial Assembly Complete	03031	.36
					Bazal	5009	.12
					Pilot Bracket Complete	03011	.18
					Light Shield Screen	4937	.02

Model 37

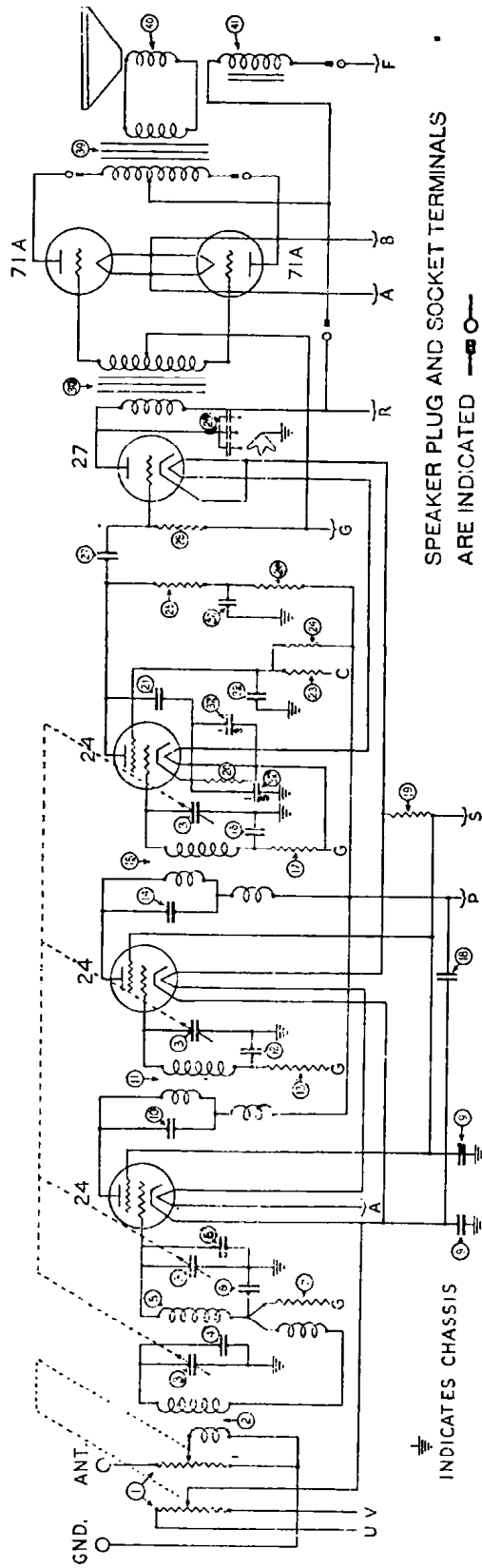




Replacement Parts for Model 37

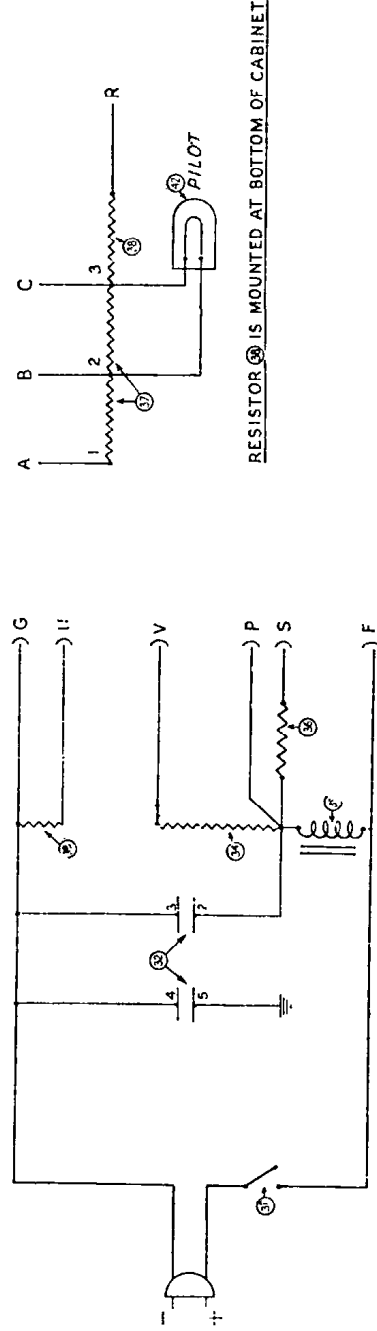
	Part No.	DEALER NET PRICE		Part No.	DEALER NET PRICE		
①	Resistor (2,900 Ohms)	5309	.12	②	Second I.F. Transformer	05698	.46
②	Volume Control	7239	.90	③	Comp. Cond. 2nd. I.F. Secondary	04000-A	.08
③	Antenna Transformer	05726	.33	④	Cond. .05 Mfd.	3615-AU	.12
④	Tuning Condenser Assembly	05740	2.65	⑤	Resistor (51,000 Ohms)	4518	.12
⑤	Compensating Cond.—Antenna— Part of Tuning Cond. Assembly			⑥	Resistor (25,000 Ohms)	4516	.12
⑥	Detector Transformer	05727	.27	⑦	Resistor (99,000 Ohms)	4411	.12
⑦	Compensating Cond. — Detector— Part of Tuning Cond. Assembly			⑧	Condenser 250 Mmf. Yellow	3082	.12
⑧	Pilot Light	5316	.18	⑨	Resistor (99,000 Ohms)	4411	.12
⑨	Comp. Cond.—1st. I.F. Primary	04000-A	.08	⑩	Condenser 250 Mmf. Yellow	3082	.12
⑩	Oscillator Coil	05728	.39	⑪	Resistor (490,000 Ohms)	4517	.12
⑪	Resistor (6,000 Ohms)	7352	.10	⑫	Resistor (99,000 Ohms)	4411	.12
⑫	Cond. 710 Mmf. White and Yellow	5863	.11	⑬	Condenser (.01 Mfd.)	3903-X	.12
⑬	Filter Cond. Bank (.1, .15, .25, 2-.5 Mfd.)	03915	.66	⑭	Resistor (490,000 Ohms)	4517	.12
⑭	Comp. Cond.—High Frequency —Part of Tuning Cond. Assembly			⑮	Resistor (1,000 Ohms)	5837	.12
⑮	Comp. Cond.—Low Frequency	04000-F	.10	⑯	Input Transformer	7233	.50
⑯	Cond. 710 Mmf. White and Yellow	5863	.11	⑰	Condenser (2,000 Mmf.)	7296-B	.08
⑰	Condenser (.05 Mfd.)	3615-AC	.12	⑱	Output Transformer	2646	.96
⑱	Resistor (1,000 Ohms)	5837	.12	⑲	Voice Coil and Cone Assembly	02587	.39
⑲	First I.F. Transformer	05697	.60	⑳	Battery Switch	7283	.75
⑳	Comp. Condenser — 1st. I.F. Secondary	04000-A	.08	㉑	Tube Shield	05720	.18
				㉒	Knob	03064	.04
					Knob Spring	4147	.01
					Four Prong Socket	5026	.05
					Five Prong Socket	4956	.05
					Six Prong Socket	6417	.06
					Dial Complete	05811	.18
					Bezel	6413	.09

Model 41



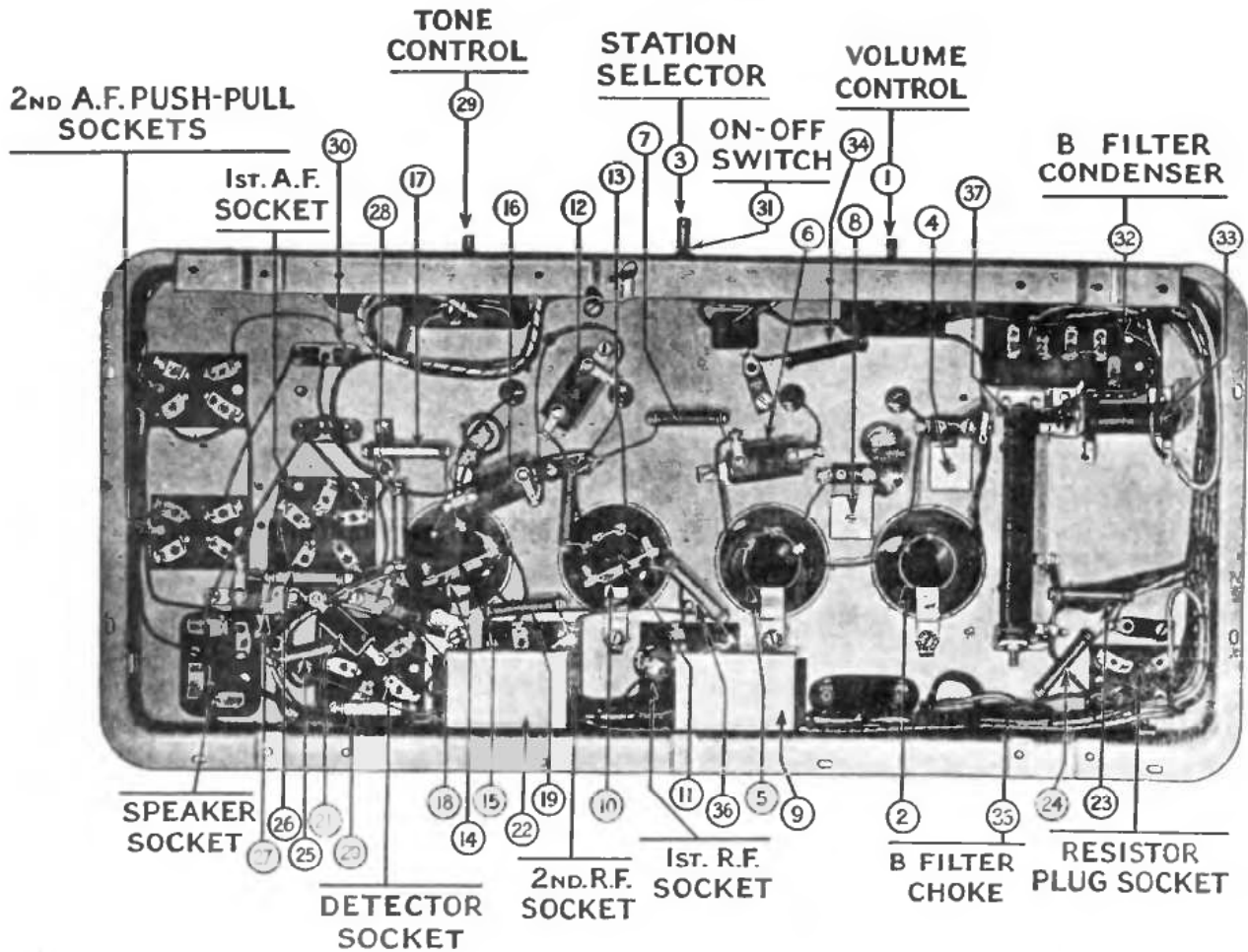
INDICATES CHASSIS

SPEAKER PLUG AND SOCKET TERMINALS ARE INDICATED



RESISTOR 3 IS MOUNTED AT BOTTOM OF CABINET

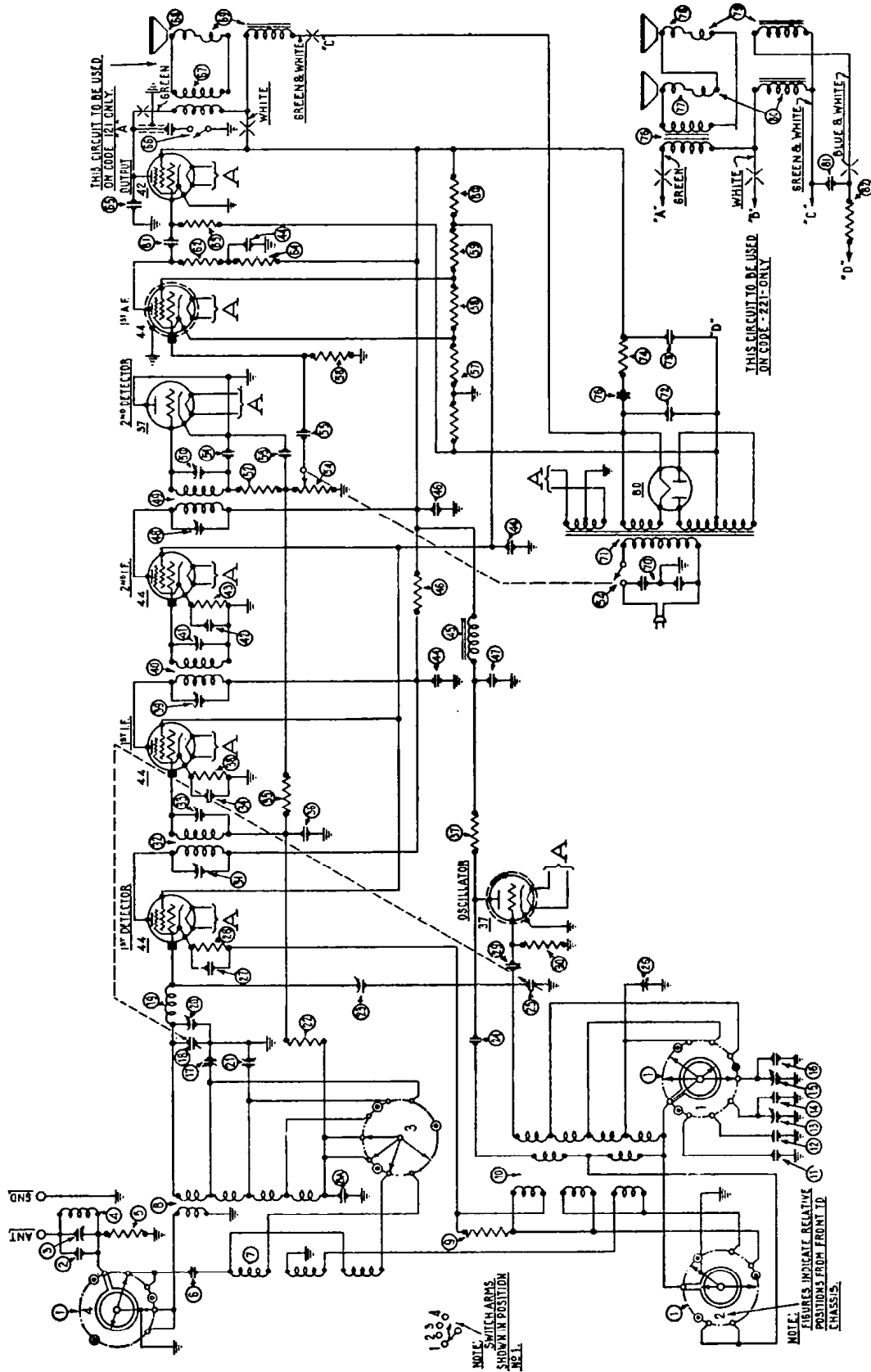
Model 41



REPLACEMENT PARTS

		DEALER NET PRICE			DEALER NET PRICE
①	Volume Control	4094	②	Choke	3422
②	First R. F. Transformer	3884-A	③	Resistor	3526
③	Tuning Condenser	4069-E	④	Resistor	4057
④	Compensating Condenser	3772-A	⑤	Resistor	4058
⑤	Second R. F. Transformer	3884-B	⑥	Output Transformer	2848
⑥	By-Pass Condenser	3584-D	⑦	Voice Coil and Cone	2814-B
⑦	Resistor	3525	⑧	Field Coil	2799
⑧	Compensating Condenser	3772-A	⑨	Pilot Lamp	3463
⑨	By-Pass Condenser	3557-A	⑩	Resistor Conn. Plug	4071
⑩	Coupling Condenser	3892-A	⑪	Knobs (Large)	3580-A
⑪	Third R. F. Transformer	3884-C	⑫	Knobs (Small)	3579-A
⑫	By-Pass Condenser	3584-D	⑬	Knobs (Switch)	3676-A
⑬	Resistor	3525	⑭	Spring (Knob)	3305
⑭	Coupling Condenser	3892-A	⑮	Grid Clip	4060
⑮	Fourth R. F. Transformer	3884-C	⑯	Grid Clip Insulator	4061
⑯	By-Pass Condenser	3584-D	⑰	Condenser Shield	4065
⑰	Resistor	3526	⑱	Tube Shield	3878-A
⑱	By-Pass Condenser	3584-D	⑲	Cushion (Condenser Brace)	3914
⑲	Resistor	3656	⑳	Rubber Washer (Cond. Brace)	3915
⑳	Resistor	3767	㉑	Rubber Washer (Condenser)	3920
㉑	By-Pass Condenser	3774	㉒	Speaker Plug and Cable	L-1056-A
㉒	By-Pass Condenser	3557-A	㉓	Rubber Washer (Furniture)	3558
㉓	Resistor	3766	㉔	Pilot Insulator	4054
㉔	Resistor	3542	㉕	Pilot Guard	4055
㉕	Resistor	3769	㉖	Condenser Brush	3748
㉖	Resistor	3767	㉗	R. F. Transformer Shield	3862
㉗	By-Pass Condenser	3897-A	㉘	Bottom Plate	3406
㉘	Resistor	3769	㉙	Compensating Condenser Nut	3151
㉙	Tone Control	4037-A	㉚	Tuning Scale	3794
㉚	Input Transformer	3872	㉛	Condenser Cable	3484
㉛	On-Off Switch	3517	㉜	Condenser Cable Spring	3012
㉜	Filter Condenser Block	4067	㉝	Pilot Lamp	3463
㉝	Resistor	4142	㉞	4-hole Tube Socket	3423-A
㉞	Resistor	3656	㉟	5-hole Tube Socket	3442-A

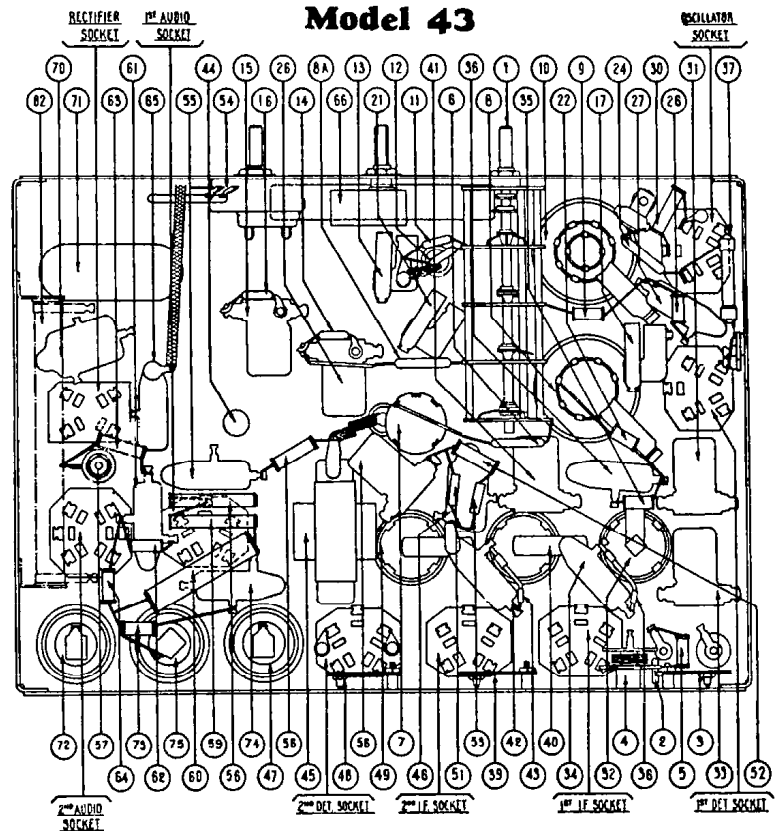
Model 43



Replacement Parts

Model 43

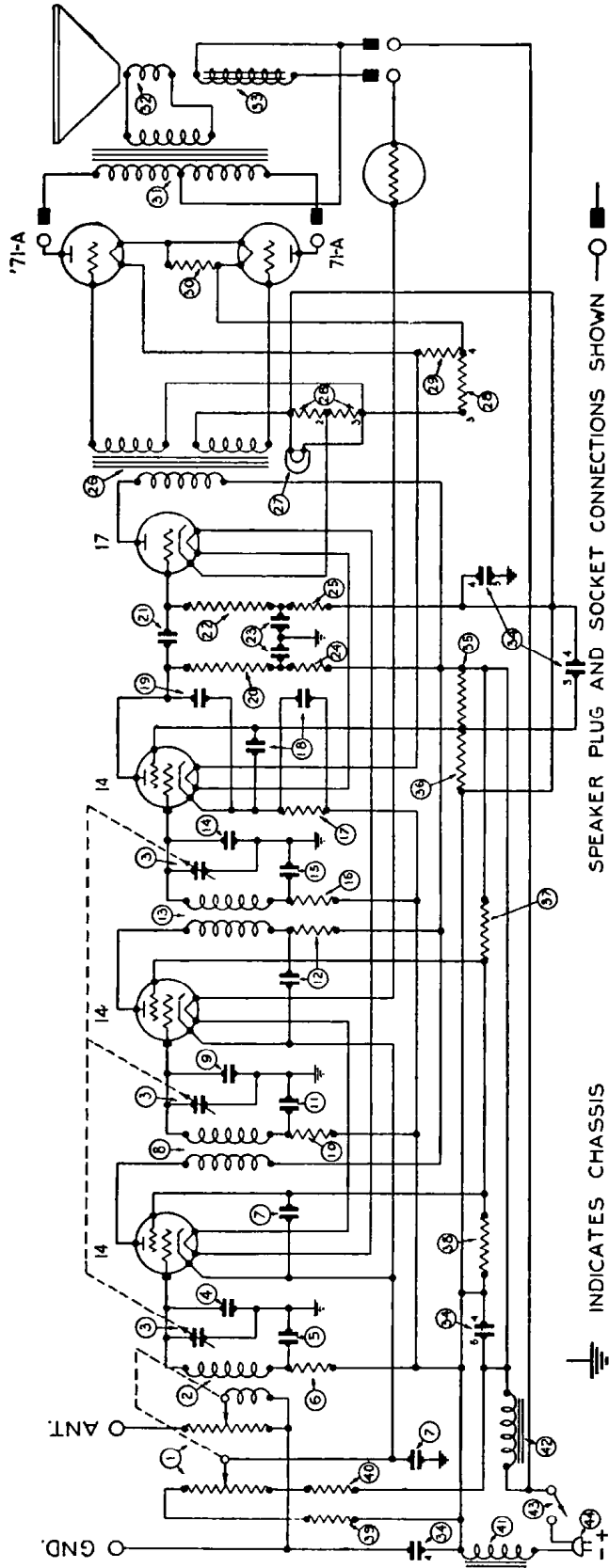
No. on Figs. 2 and 3	Description	Part No.	DEALER NET PRICE
1	Wave Change Switch	05617	2.55
2	Condenser (410 mmf.)	5120	.11
3	Compensating Condenser—450 K. C. Wave Trap	04000B	.11
4	R. F. Choke	05191	.09
5	Resistor (2,000 ohms)	6984	.12
6	Condenser (1000 mmf.)	5215	.12
7	Antenna Coupling Coil	05189	.30
8	Antenna Transformer*	06404	.75
9a	Condenser (3,000 mmf.)	6009	.18
9	Resistor (1,000 ohms)	5837	.15
10	Oscillator Coil*	05624	1.95
11	Condenser (1,650 mmf.)	5877	.18
12	Condenser (1,250 mmf.)	5836	.15
13	Compensating Condenser—1400 K. C. End of Second Band	04000F	.10
14	Condenser (250 mmf.)	3082	.12
15	Compensating Condenser—600 K. C. End of First Band	04000F	.10
16	Condenser (250 mmf.)	3082	.12
17	Compensating Condenser—8 Megacyclo End Third Band	04000V	.10
18	Tuning Condenser Assembly	05154	2.40
19	Grid Coil (Top of Chassis)	05190	.15
20	Compensating Condenser (Part of Tuning Cond. Assembly)		
21	Compensating Condenser (3.5 Megacyclo End of Second Band)	04000V	.10
22	Resistor (99,000 ohms)	4411	.12
23	Neutralizing Condenser (Top of Chassis)	04000V	.10
24	Condenser (1000 mmf.)	5837	.12
25	Condenser (50 mmf.) (Top of Chassis)	3774	.15
26	Resistor (490,000 ohms)	4517	.12
27a	Compensating Condenser (1400 K. C. End of First Band)	04000F	.10
27	Resistor (25,000 ohms)	4516	.12
28	Condenser (.05 mfd.)	3615E	.12
29	Resistor (500 ohms)	6977	.12
30	Compensating Condenser	04000C	.05
31	Compensating Condenser—1st I. F. Primary	04000M	.10
32	First I. F. Transformer	05185	.33
33	Compensating Condenser—1st I. F. Secondary	04000M	.10
34	Condenser (.05 mfd.)	3615W	.10
35	Resistor (2,000,000 ohms)	5872	.12
36	Condenser (.05 mfd.)	3615J	.11
37	Resistor (10,000 ohms)	3524	.12
38	Resistor (500 ohms)	6977	.12
39	Compensating Condenser—2nd I. F. Primary	04000M	.10
40	Second I. F. Transformer	05185	.33
41	Compensating Condenser—2nd I. F. Secondary	04000X	.10
42	Condenser (.05 mfd.)	3615W	.10
43	Resistor (500 ohms)	6977	.12
44	Filter Condenser Bank (.25, 2-.5 mfd.)	05239	.60
45	Filter Choke	5930	.84
46	Condenser (.05 mfd. and Resistor 250 ohms)	3615AS	.15
47	Electrolytic Condenser	7556	.75
48	Compensating Condenser—3rd I. F. Primary	04000M	.10
49	Third I. F. Transformer	05185	.33
50	Compensating Condenser—3rd I. F. Secondary	04000M	.10
51	Condenser (110 mmf.)	4519	.11
52	Resistor (99,000 ohms)	4411	.12
53	Condenser (110 mmf.)	4519	.11
54	Volume Control and On-Off Switch	6892	.75
55	Condenser (.01 mfd.)	3903F	.09
56	Resistor (1,000,000 ohms)	4409	.12
57	Wire Wound Resistor (185 and 245 ohms)	6452	.10
58	Resistor (5,000 ohms)	3526	.12
59	Resistor (5,000 ohms)	3526	.12
60	Resistor (13,000 ohms)	6450	.21
61	Condenser (.01 mfd.)	3903N	.10
62	Resistor (70,000 ohms)	5385	.12
63	Resistor (490,000 ohms)	4517	.12
64	Resistor (25,000 ohms)	4516	.12
65	Condenser (.01 mfd.)	3903AA	.09
66	Tone Control	05174	.10



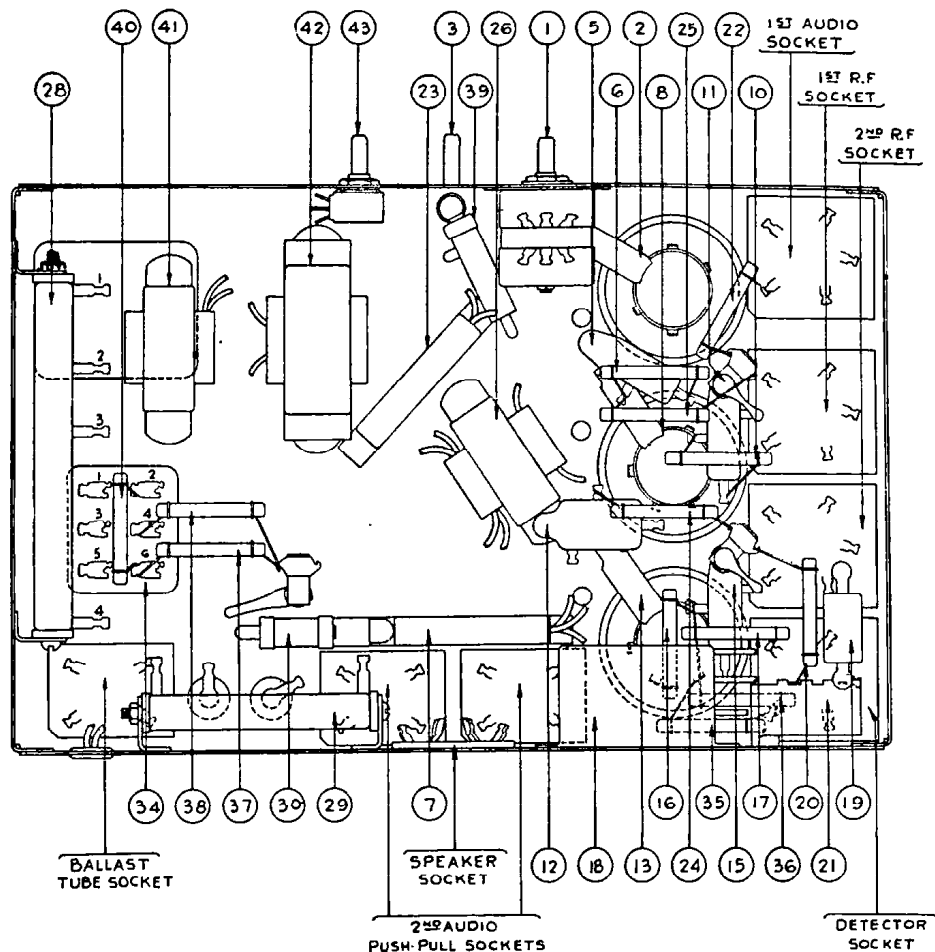
67	Output Transformer	25S0	.75
68	Voice Coil and Cone Assembly	02823	.27
69	Speaker Field and Bucking Coil Assembled with Pot (K-7)	02761	1.35
70	Condenser (.015 mfd. Double)	3793K	.12
71	Power Transformer—50-60 Cycles, 115 Volts, Single Speaker Models	7074	2.10
	25-40 Cycles, 115 Volts, Single Speaker Models	7075	4.05
	50-60 Cycles, 230 Volts, " " "	7076	2.40
	50-60 Cycles, 115 Volts, Twin Speaker Models	6985	2.70
	50-60 Cycles, 230 Volts, " " "	6986	3.15
72	Electrolytic Condenser (6 mfd.) 50-60 Cycles	4916	1.05
	Electrolytic Condenser (8 mfd.) 25-40 Cycles	6707	.90
73	Resistor (10,000 ohms)	4412	.12
74	Condenser (.05 mfd.)	3615AD	.12
75	Electrolytic Condenser (6 mfd.) 50-60 Cycles	4916	1.05
	Electrolytic Condenser (8 mfd.) 25-40 Cycles	6706	.90
76	Output Transformer—Twin Speaker	2564	.81
77	Voice Coil and Cone Assembly	02823	.27
78	Voice Coil and Cone Assembly	02823	.27
79	Speaker Field and Bucking Coil Assembled with Pot (K-9)	02762	1.65
80	Speaker Field and Bucking Coil Assembled with Pot (K-10)	02767	1.35
81	Condenser (.5 mfd.)	05150	.30
82	Wire Wound Resistor (5,620 ohms) Twin Speaker	6451	.18
	Tube Shield	5387	.03
	Knob (Large)	03063	.05
	Knob (Medium)	03064	.04
	Knob (Small)	03437	.02
	Knob Spring (Large)	5262	per C .21
	Knob Spring (Small)	4147	.01
	Grid Clip	4897	per C .18
	Four Prong Socket Assembly	5026	.06
	Five Prong Socket Assembly	4956	.06
	Six Prong Socket Assembly	6417	.06
	Dial Complete	05418	.33
	Bezel	6826	.12
	Tuning Condenser Drive Cord	04834	.08
	Spring	6508	per C .96
	Chassis Mounting Screw	W-468	per C 2.10
	Mounting Washer	W-315	per C .24
	Rubber Washer	5189	per C 1.80

*Supplied in matched pair—Antenna and oscillator coils.

Model 46



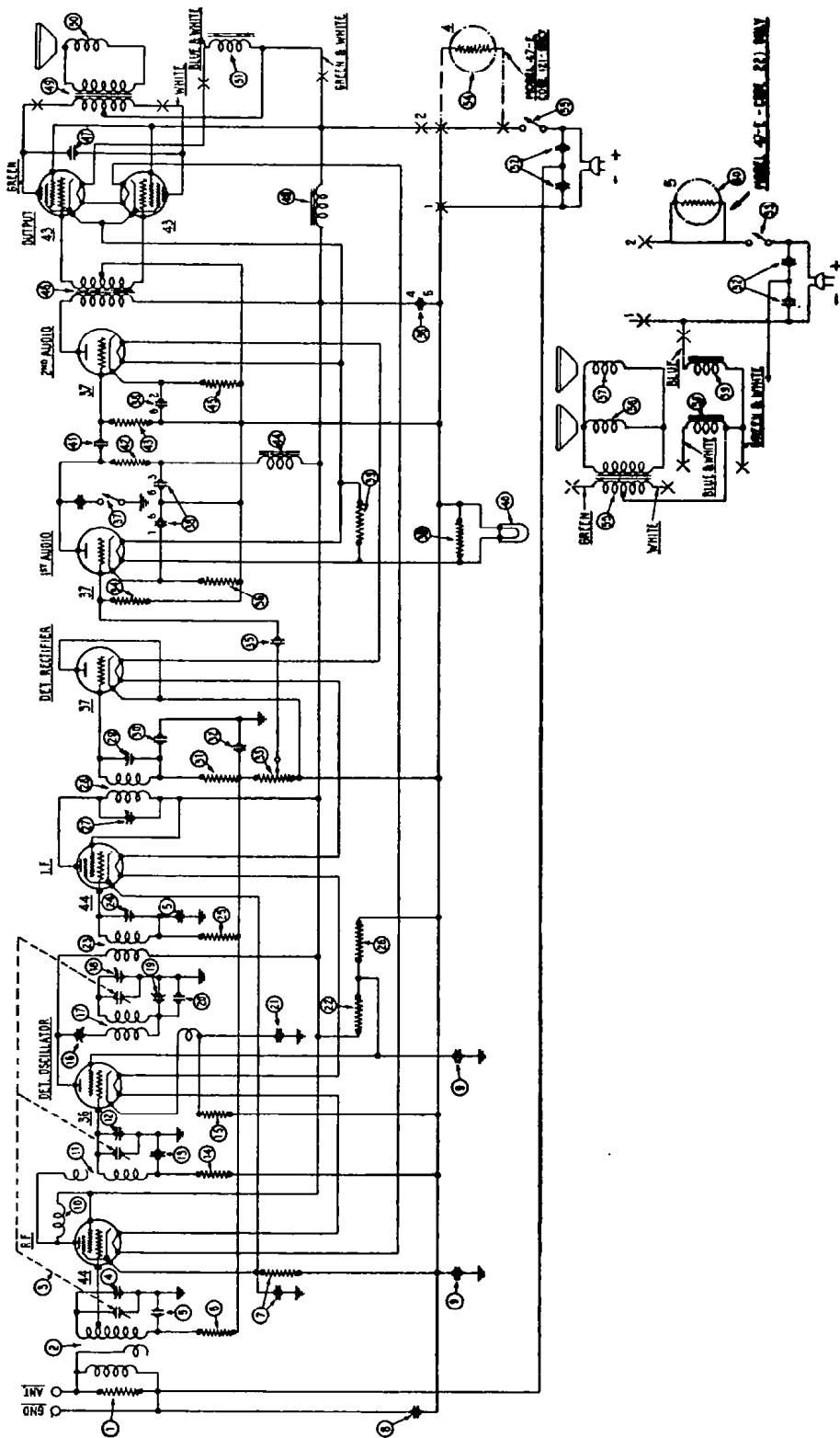
Model 46



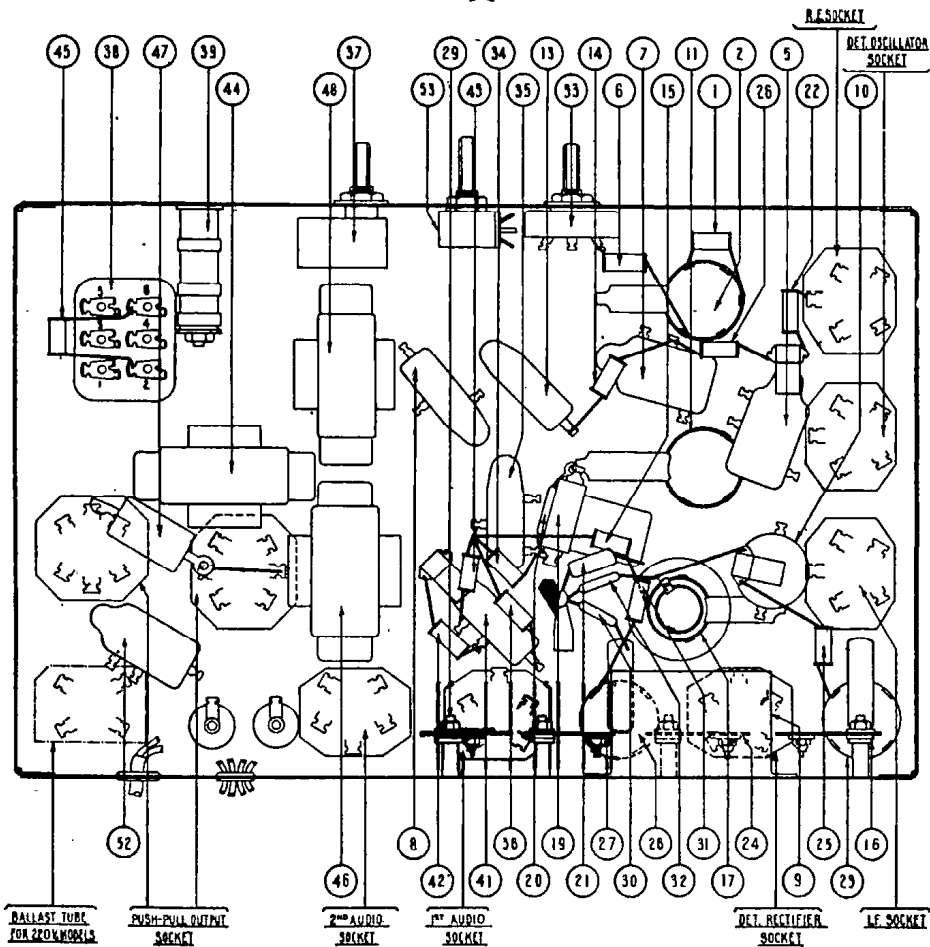
REPLACEMENT PARTS—MODEL 46

	NET PRICE	DEALER NET PRICE
① Volume Control	4141 .90	.60
② First R. F. Transformer	3884-X .39	2.55
③ Tuning Condenser	4200-D 3.00	.12
④ Compensating Condenser (Part of Tuning Condenser Assembly)		.12
⑤ By-Pass Condenser .05	3615-J .11	.12
⑥ Resistor 32,000 Ohms	3525 .12	.12
⑦ By-Pass Condenser .25	4864 .27	.90
⑧ Second R. F. Transformer	3884-Y .33	.50
⑨ Compensating Condenser (Part of Tuning Condenser Assembly)		.30
⑩ Resistor 32,000 Ohms	3525 .12	.05
⑪ By-Pass Condenser .05	3615-M .11	.24
⑫ Condenser and Resistor .05 and 250 Ohms	3615-K .18	.05
⑬ Third R. F. Transformer	3884-Y .33	.02
⑭ Compensating Condenser (Part of Tuning Condenser Assembly)		.03
⑮ By-Pass Condenser .05	3615-M .11	.01
⑯ Resistor 5,000 Ohms	3526 .12	.01
⑰ Resistor 32,000 Ohms	3525 .12	.02
⑱ By-Pass Condenser (2-section, .25 each)	4864 .27	.02
⑲ By-Pass Condenser .0005	3910 .12	.03
⑳ Resistor 490,000 Ohms	3769 .12	.05
㉑ Blocking Condenser .01	3903-H .09	.05
㉒ Resistor 490,000 Ohms	3769 .12	.05
㉓ By-Pass Condenser (2-section, .25 each)	4864 .27	.01
㉔ Resistor 99,000 Ohms	3767 .12	.01
㉕ Resistor 240,000 Ohms	3768 .12	.02
㉖ Push-Pull Input Transformer	4862 1.50	.02
㉗ Pilot Bulb	3463 .09	.02
㉘ Resistor (3-section)	4858-A .45	.01
㉙ Resistor 200 Ohms	4859-A .36	.02
㉚ Resistor 210 Ohms	4861 .12	.02
㉛ Push-Pull Output Transformer	2766 1.20	.24
㉜ Voice Coil and Cone	2769-B .45	.21
㉝ Field Coil	2094 .20	.12
㉞ Filter Condenser	4860 2.55	.12
㉟ Resistor 70,000 Ohms	3542 .12	.12
㊱ Resistor 32,000 Ohms	3525 .12	.12
㊲ Resistor 13,000 Ohms	3766 .12	.12
㊳ Resistor 70,000 Ohms	3542 .12	.12
㊴ Resistor 250 Ohms	4142 .12	.12
㊵ Resistor 13,000 Ohms	3766 .12	.12
㊶ Line Choke (Neg.)	4886 .90	.12
㊷ Line Choke (Pos.)	4231 .50	.12
㊸ Set Switch	4095 .30	.12
Line Plug	L-543 .05	.12
Line Cord and Plug	L-943 .24	.12
Tube Shield	4228-A .24	.12
Knob (Dial)	4289-A .05	.12
Spring (Dial Knob)	3305 .02	.12
Knobs (Switch and Volume Control)	4290-A .03	.12
Spring (Switch and Volume Control Knob)	4147 .01	.12
Grid Clip	4060 .01	.12
Grid Clip Insulator	4061 .02	.12
Speaker Plug and Cable	L-1124-A .24	.12
R. F. Transformer Shield	3862 .10	.12
Grommet for R. F. Transformer Shield	3747 .02	.12
Pilot Lamp Bracket	4871 .03	.12
Four Prong Socket Assembly	3977-A .05	.12
Five Prong Socket Assembly	3979-A .05	.12
Speaker Socket	3977-B .05	.12
Volume Control Insulators	4092 .01	.12
Volume Control Insulators	4286 .01	.12
Cabinet12
Fahstock Clip	L-1126 .01	.12
Finishing Rosettes	4267 .02	.12
Speaker Mounting Screws (3 used)	W-493 .24	.12
Speaker Mounting Screws (1 used)	W-483 .21	.12
Tuning Condenser Dial Scale	4261 .12	.12
Mica for Compensating Con- densers	4318 .02	.12

MODEL 47 SERIES



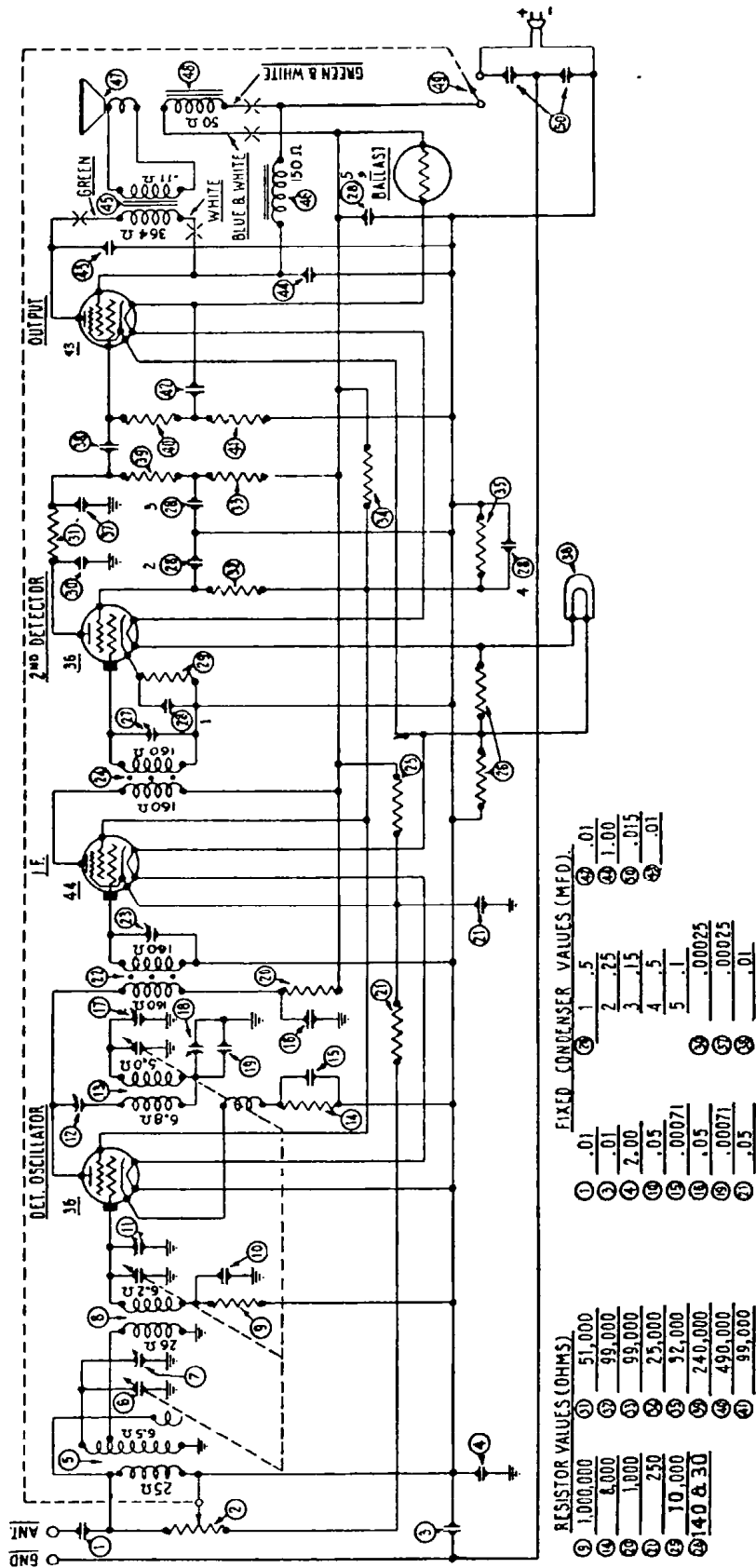
MODEL 47 SERIES



REPLACEMENT PARTS MODEL 47

	NET PRICE		NET PRICE	DEALER NET PRICE
① Resistor (10,000 ohms)	4412	.12	⑩ Resistor (10,000 ohms)	4412 .12
② R. F. Transformer	04339	.45	⑪ Tone Control	04787 .21
③ Tuning Condenser Assembly	05098	2.55	⑫ Filter Condenser Bank	05003 2.10
④ Compensating Condenser—R. F. —Part of Tuning Condenser Assembly			⑬ Resistor—Wire wound (70 ohms and 16 ohms)	6716 .11
⑤ Condenser (.05 Mfd. Double)	3615-AF	.15	⑭ Pilot Light	8608 .09
⑥ Resistor (1,000,000 ohms)	4409	.12	⑮ Condenser (.01 Mfd.)	3093-T
⑦ Condenser (.18 Mfd. & 200 ohm resistor)	4989-S	.10	⑯ Resistor (25,000 ohms)	4516 .12
⑧ Condenser (.05 Mfd.)	3615-II	.12	⑰ Resistor (1,000,000)	4409 .12
⑨ Condenser (.26 Mfd. Double)	05109	.24	⑱ Filter Choke (High Resistance)	5314 1.06
⑩ R. F. Choke	03103	.02	⑲ Resistor (5,000 ohms)	5310 .12
⑪ Detector Transformer	05093	.21	⑳ Input Transformer	6064 1.35
⑫ Compensating Condenser—Detector—Part of Tuning Condenser Assembly			㉑ Condenser (.002 Mfd.) Blue	4059 .18
⑬ Condenser (.08 Mfd.)	3615-L	.10	㉒ Filter Choke	6712 .75
⑭ Resistor (1,000,000 ohms)	4409	.12	㉓ Output Transformer—Single Speaker (K-13)	2550 .84
⑮ Resistor (8,000 ohms)	5838	.12	㉔ Voice Coil and Cone Assembly	02823 .27
⑯ Compensating Condenser—1st I. F. Primary	04000-M	.10	㉕ Speaker Field Assembled with Pot (K-13)	02745 2.25
⑰ Oscillator Coil	04186	.50	㉖ Condenser (.015 Mfd. Double)	3793-M .15
⑱ Compensating Condenser—High Frequency—Part of Tuning Condenser Assembly			㉗ On-off Switch	6498 .24
㉑ Compensating Condenser—Low Frequency	04000-F	.10	㉘ Ballast Lamp No. 4—Single Speaker	6739
㉒ Condenser (410 Mmf.) Yellow and Orange	5120	.11	㉙ Output Transformer—Twin Speaker (K-14, K-15)	2544 .90
㉓ Condenser (700 Mmf.) White and Yellow	5863	.11	㉚ Voice Coil and Cone Assembly	02823 .27
㉔ Resistor (25,000 ohms)	4516	.12	㉛ Voice Coil and Cone Assembly	02823 .27
㉕ First I. F. Transformer	05094	.30	㉜ Speaker Field Assembled with Pot (K-14)	02745 2.25
㉖ Compensating Condenser—1st I. F. Secondary	04000-A	.08	㉝ Speaker Field Assembled with Pot (K-15)	02744 1.35
㉗ Resistor (1,000,000 ohms)	4409	.12	㉞ Ballast Lamp No. 5—Twin Speaker	6740
㉘ Resistor (70,000 ohms)	5385	.12	Tube Shield	05058 .24
㉙ Compensating Condenser—2nd I. F. Primary	04000-A	.08	Knob (large)	03063 .05
㉚ Second I. F. Transformer	05095	.30	Knob (medium)	03064 .04
㉛ Compensating Condenser—2nd I. F. Secondary	04000-A	.08	Knob (small)	03067 .02
㉜ Condenser (110 Mmf.) Blue and Golden Yellow	4519	.11	Knob Spring (large)	5262 per C .21
㉝ Resistor (90,000 ohms)	4411	.12	Knob Spring (small)	4147 .01
㉞ Condenser (110 Mmf.) Blue and Golden Yellow	4519	.11	Grid Clip	4897 per C .18
㉟ Volume Control	6499	.48	Four Prong Socket Assembly	5026 .06
㊱ Resistor (1,000,000 ohms)	4409	.12	Five Prong Socket Assembly	4956 .06
㊲ Condenser (.01 Mfd.)	3903-G	.10	Six Prong Socket Assembly	6117 .06
			Dial Complete	04832 .24
			Bezel	6435 .09
			Chassis Mounting Screw	W-468 per C 2.10
			Mounting Washer	W-315 per C .24
			Rubber Washer	5189 per C 1.80
			Mounting Clamp	6440 .03
			Cone Retaining Ring	2000 per C .27

Model 48



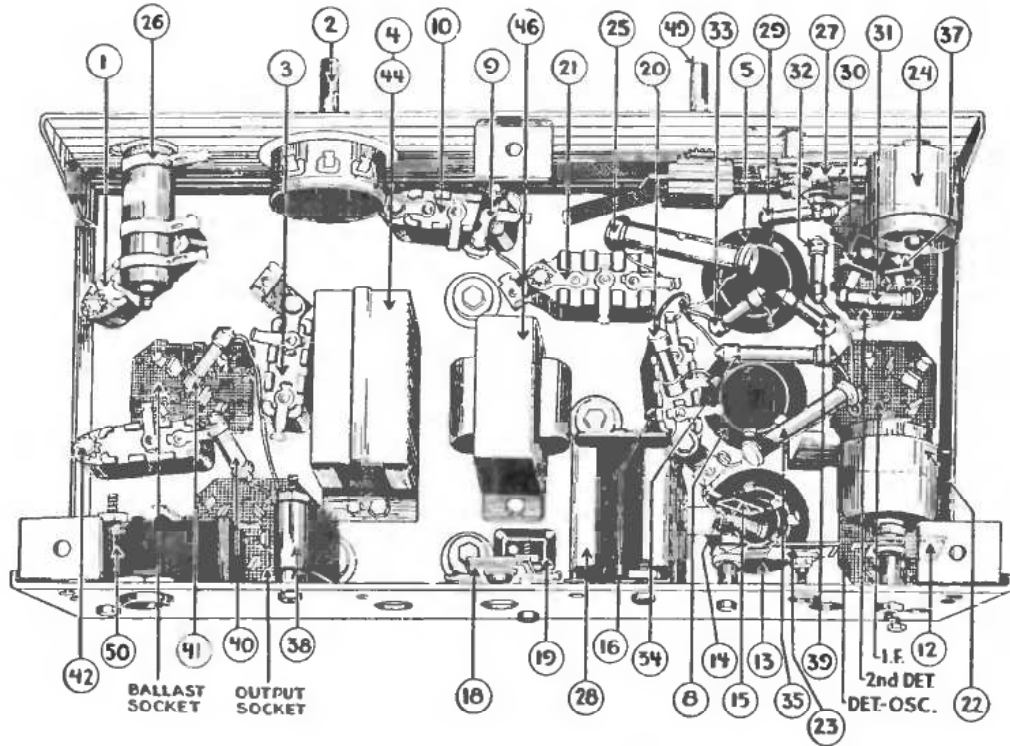
RESISTOR VALUES (OHMS)

①	1,000,000
②	51,000
③	99,000
④	1,000
⑤	99,000
⑥	250
⑦	32,000
⑧	240,000
⑨	490,000
⑩	99,000

FIXED CONDENSER VALUES (MFD.)

①	.01
②	.01
③	1
④	.25
⑤	2.00
⑥	.15
⑦	.05
⑧	.00071
⑨	.05
⑩	.00071
⑪	.05
⑫	.00025
⑬	.00025
⑭	.01

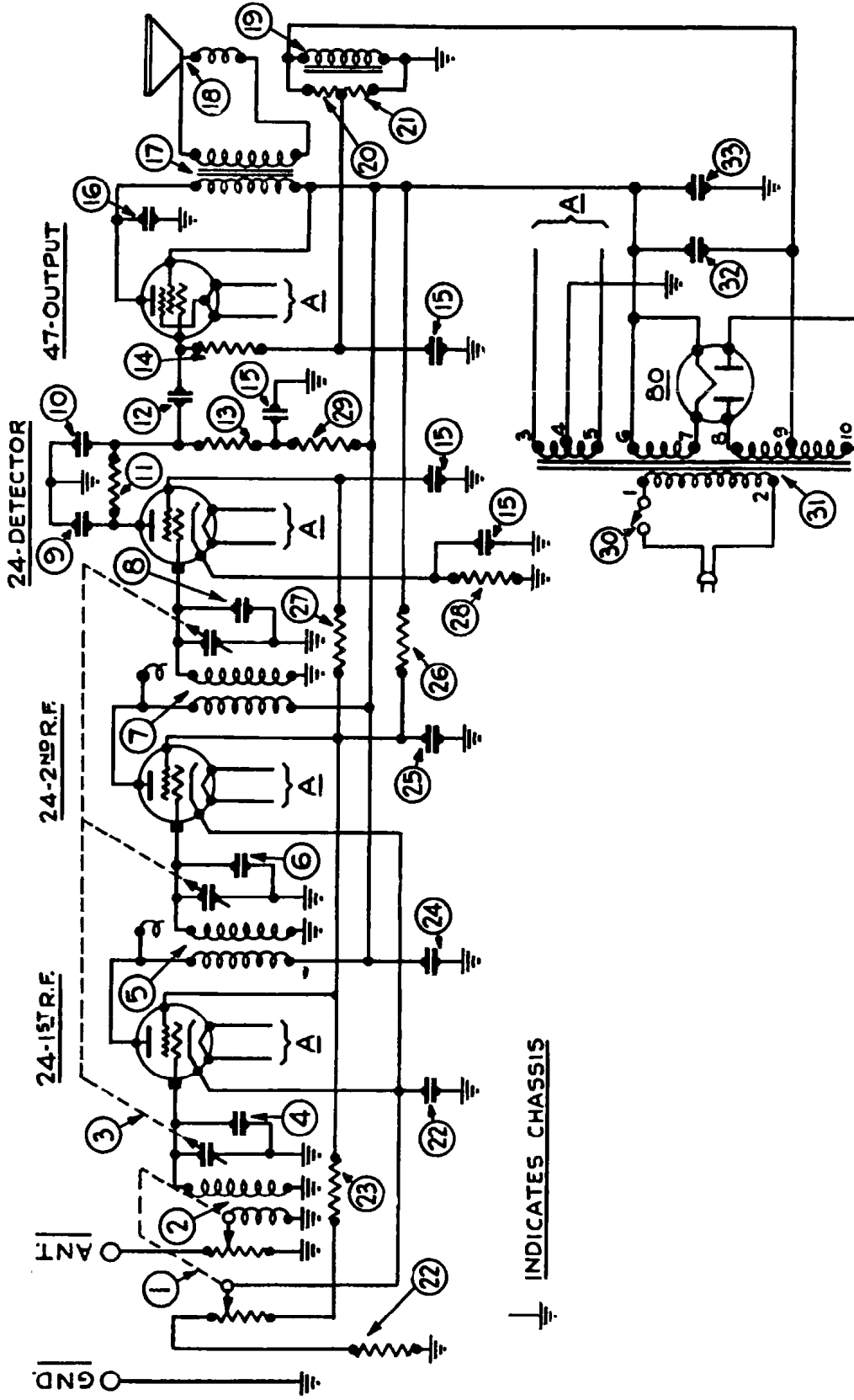
Model 48



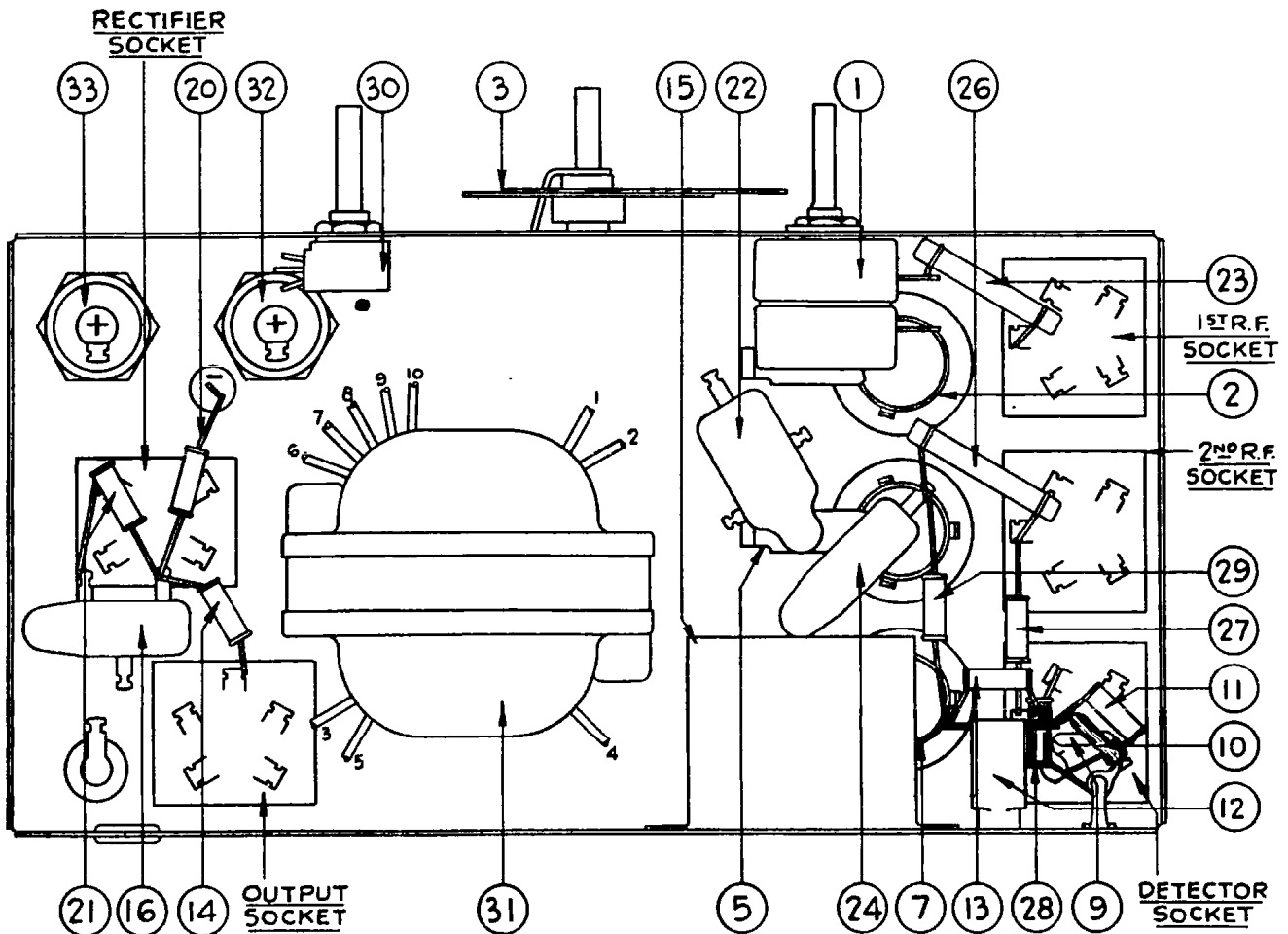
Replacement Parts for Model 48

	DEALER NET PRICE		DEALER NET PRICE
① Condenser (.01 Mfd.)	3903-T	②⑤ Resistor (51,000 Ohms)	4518 .12
② Volume Control (5,000 Ohms)	5839 .45	③⑩ Condenser (250 Mmf.)	3082 .12
③ Condenser (.01 Mfd.)	3903-AK .12	③① Resistor (51,000 Ohms)	4518 .12
④ Condenser (2 Mfd.)	05518	③② Resistor (99,000 Ohms)	4411 .12
⑤ Antenna Transformer	05848 .33	③③ Resistor (99,000 Ohms)	4411 .12
⑥ Tuning Condenser Assembly	05885 2.40	③④ Resistor (25,000 Ohms)	3656 .12
⑦ Compensating Cond.—Antenna—Part of Tuning Condenser Assembly		③⑤ Resistor (32,000 Ohms)	3525 .12
⑧ Detector Transformer	05849 .27	③⑥ Pilot Light	6608 .09
⑨ Resistor (1,000,000 Ohms)	4409 .12	③⑦ Condenser (250 Mmf.)	3082 .12
⑩ Condenser (.05 Mfd.)	3615-J .11	③⑧ Condenser (.01 Mfd.)	3903-F .09
⑪ Compensating Cond.—Detector, Part of Tuning Condenser Assembly		③⑨ Resistor (240,000 Ohms)	4410 .12
⑫ Comp. Cond. First I.F. Primary	04000-A .08	④① Resistor (490,000 Ohms)	4517 .12
⑬ Oscillator Coil		④② Resistor (99,000 Ohms)	4411 .12
⑭ Resistor (6,000 Ohms)		④③ Condenser (.01 Mfd.)	3903-F .09
⑮ Condenser (710 Mmf.)	5863 .11	④④ Condenser .01 Mmf. (assembled with ③⑧)	3903AK .12
⑯ Condenser (.05 Mfd.)	3615-AC .12	④⑤ Condenser (1 Mfd.)	05518
⑰ Compensating Cond.—High Frequency —Part of Tuning Condenser Assembly		④⑥ Output Transformer	2660 .75
⑱ Comp. Condenser Low Frequency	04000-F .10	④⑦ Choke	4951 .90
⑲ Condenser (710 Mmf.)	5863 .11	④⑧ Voice Coil and Cone Assembly	02861 .36
⑳ Resistor (1000 Ohms)	5837 .12	④⑨ Speaker Field Assembly with Pot	02671 1.20
㉑ Condenser (.05 Mfd. and Resistor 250 Ohms)	3615-C .18	④⑩ On-Off Switch Assembly with Volume Control	5839 .45
㉒ First I.F. Transformer	04887	④⑪ Condenser (.015 Mfd. Twin)	3793-P .12
㉓ Comp. Cond. First I.F. Secondary	04000-A .08	Tube Shield	03169 .12
㉔ Second I.F. Transformer	03887 .75	Knob	03064 .04
㉕ Resistor (10,000 Ohms)	4237 .12	Knob Spring	5262 per C .21
㉖ Resistor—Wire Wound —(140 Ohms and 30 Ohms)	06200 .12	Grid Clip	4897 per C .18
㉗ Compensating Condenser, Second I.F. Secondary	04000-A .08	Four Prong Socket	5026 .05
㉘ Filter Condenser Bank (.1, .15, .25, 2-5 Mfd.)	05569 .60	Five Prong Socket	4956 .06
		Six Prong Socket	6417 .06
		Pilot Light Bracket Complete	05603 .05
		Dial Complete	05811 .18
		Bezel	6413 .09

MODELS 50 AND 50-A



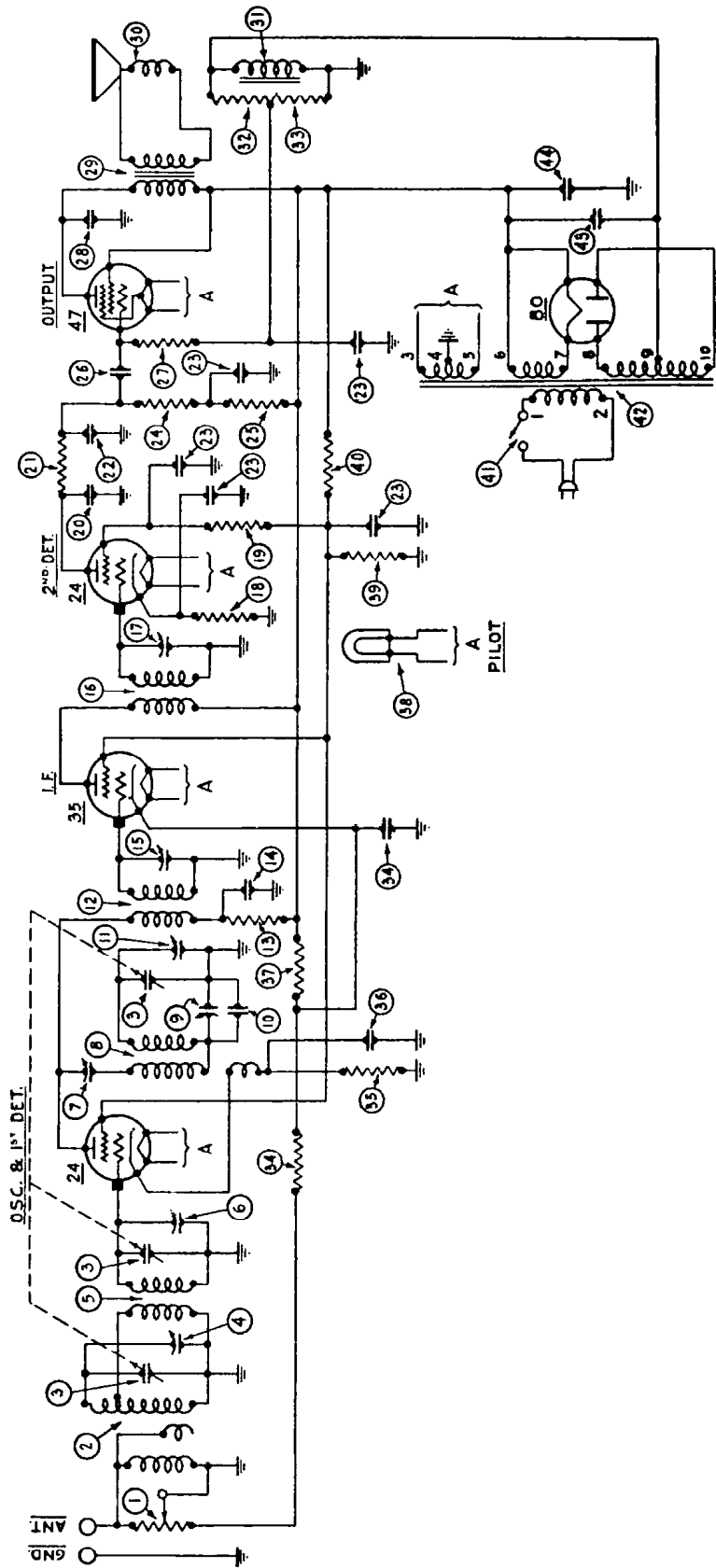
MODELS 50 AND 50-A



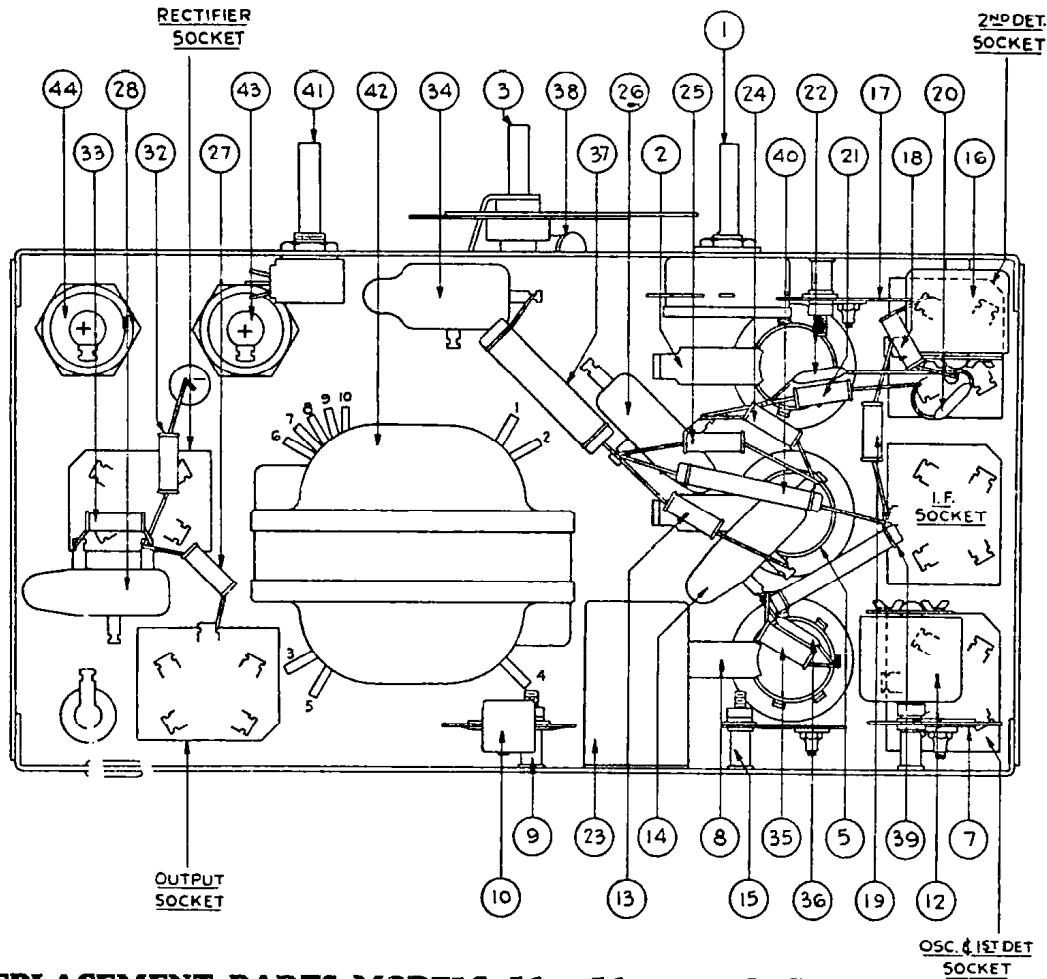
REPLACEMENT PARTS MODELS 50 AND 50-A

		NET PRICE		DEALER NET PRICE
①	Volume Control	5232	.75	
②	First R. F. Transformer	03283	.45	
③	Gang Condenser	03293	2.70	
④	Compensating Condenser (Part of Gang Condenser Assembly)			
⑤	Second R. F. Transformer	03284	.45	
⑥	Compensating Condenser (Part of Gang Condenser Assembly)			
⑦	Third R. F. Transformer	03284	.45	
⑧	Compensating Condenser (Part of Gang Condenser Assembly)			
⑧	Condenser—250 Mmf.	3082	.12	
⑩	Condenser—250 Mmf.	3082	.12	
⑪	Resistor—10,000 Ohms	4412	.12	
⑫	Condenser—.01 Mfd.	3903-L	.10	
⑬	Resistor—240,000 Ohms	4410	.12	
⑭	Resistor—490,000 Ohms	4517	.12	
⑮	Bypass Condenser (.15 Mfd., .25 Mfd., 2-.5 Mfd., .1 Mfd.) 50-60 cycles	03459	.75	
	(.15 Mfd., .25 Mfd., 2-.5 Mfd., .05 Mfd.) 25-40 Cycles	03455	.75	
⑯	Bypass Condenser—.01 Mfd.	3903-N	.10	
⑰	Output Transformer	2660	.75	
⑱	Voice Coil and Cone Assembly	02970	.36	
⑲	Speaker Field (Assembled with Pot and Frame)	02942	1.05	
⑳	Resistor—490,000 Ohms.	4517	.12	
㉑	Resistor—160,000 Ohms.	5331	.12	
㉒	Resistor—150 Ohms and Condenser—.05 Mfd.	3615-X	.18	
㉓	Resistor—15,000 Ohms	5278	.12	
㉔	Bypass Condenser—.05 Mfd.	3615-L	.10	
㉕	Bypass Condenser—(.05 Mfd.) (combined with ㉔)			
㉖	Resistor—25,000 Ohms	3656	.12	
㉗	Resistor—99,000 Ohms	4411	.12	
㉘	Resistor—32,000 Ohms	5279	.12	
㉙	Resistor—99,000 Ohms	4411	.12	
㉚	On-Off Switch	5382	.24	
㉛	Power Transformer—50-60 cycles	5266	2.55	
	Power Transformer—25-40 cycles	5267	4.05	
	Power Transformer—50-60 cycles 210-240 volts	5268	3.00	
㉜	Electrolytic Condenser—6 Mfd.—50-60 cycles	4916	1.05	
	Electrolytic Condenser—10 Mfd. 25-40 cycles	5142	1.20	
㉝	Electrolytic Condenser—6 Mfd.—25-40 cycles and 50-60 cycles	4916	1.05	
	Tube Shield	03390	.15	
	Knob (Large)	03064	.04	
	Knob (Small)	03427	.02	
	Spring (For Dial Knobs) Small	4147	.01	
	Spring (For Dial Knobs) Large	5262	.21	per C
	Grid Clip	4897	.18	per C
	Five Prong Socket Assembly	4956	.06	
	Four Prong Socket Assembly	5026	.05	
	Dial Complete	03322	.24	
	Bezel	5383	.03	

PHILCO MODELS 51, 51-A AND 52



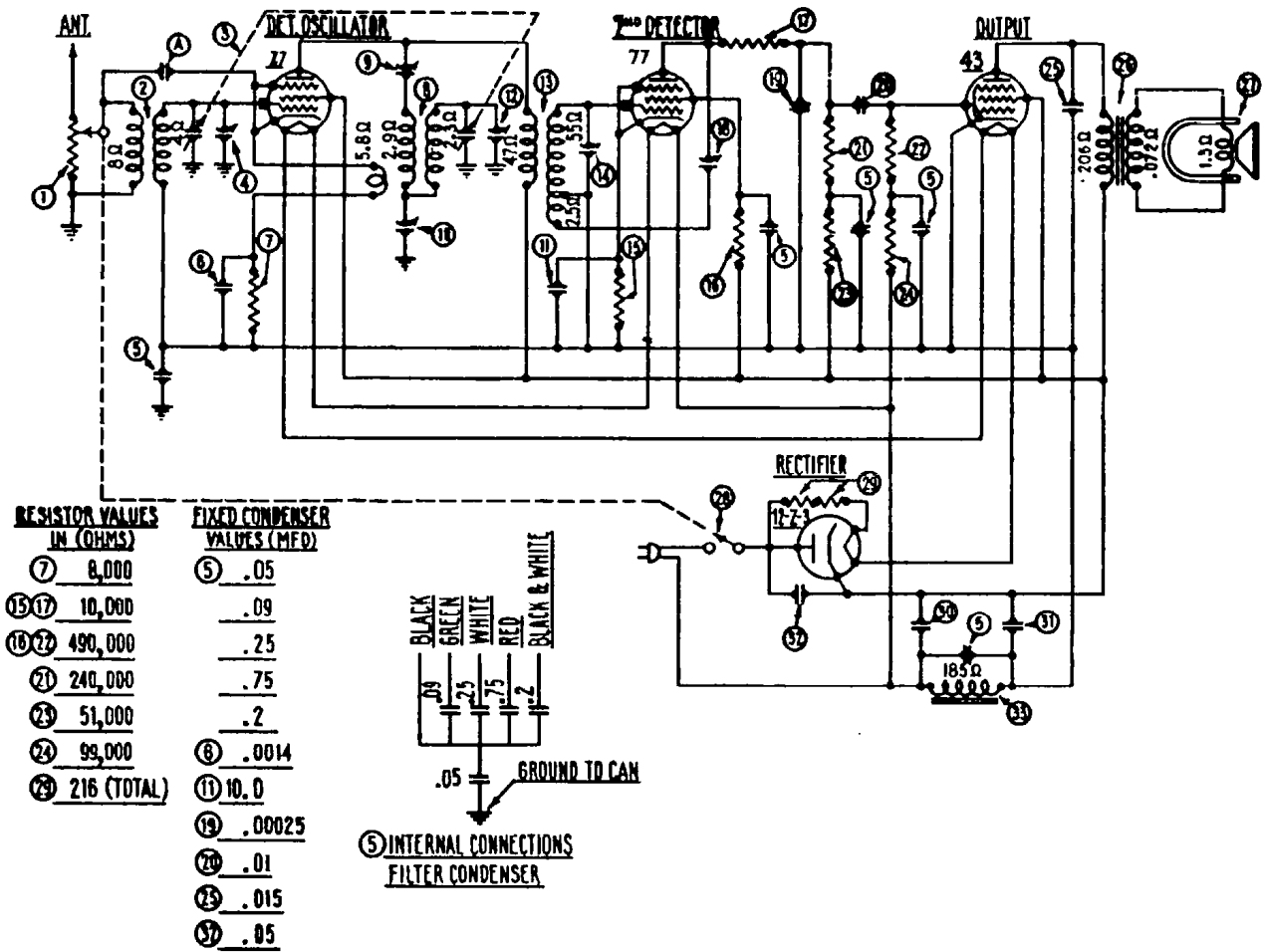
PHILCO MODELS 51, 51-A AND 52



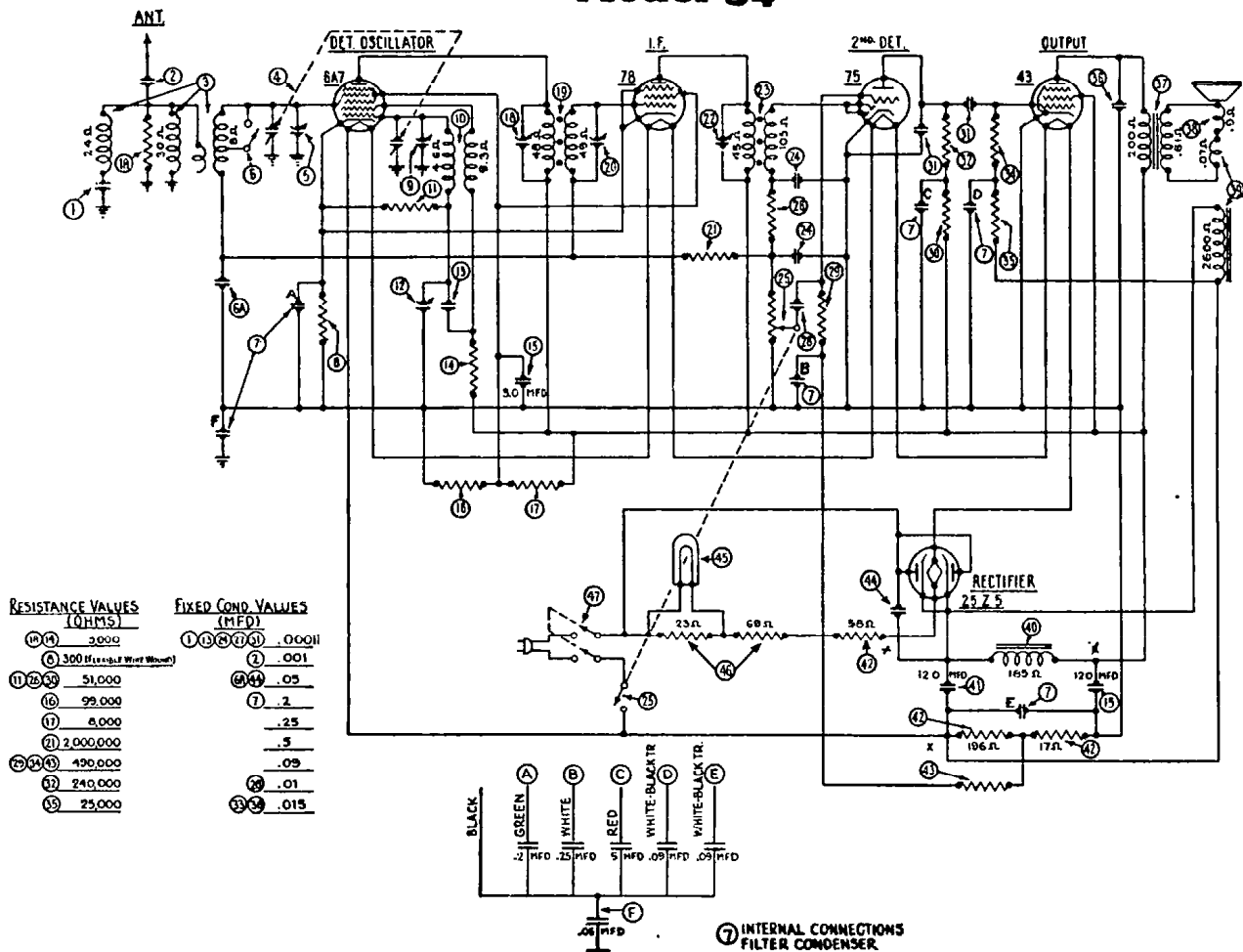
REPLACEMENT PARTS MODELS 51, 51-A and 52

No. on Figs. 1 and 2	Description	Part No.	NET PRICE	No. on Figs. 1 and 2	Description	Part No.	NET PRICE
①	Volume Control	5839	.45	⑩	Field Coil and Pot Assembly	02942	1.05
②	Antenna Coil	03880	.45	⑪	Resistor (490,000 ohms)	4517	.12
③	Gang Condenser	03809	2.70	⑫	Resistor (160,000 ohms)	5331	.12
④	Compensating Condenser (Part of gang condenser assembly)			⑬	Resistor (250 ohms and .05 mfd.)	3615-C	.18
⑤	First R.F. Transformer	03881	.45	⑭	Resistor (8,000 ohms)	5838	.12
⑥	Compensating Condenser (part of gang condenser assembly)			⑮	Condenser (710 mmf.)	5863	.11
⑦	Compensating Condenser	04000-A	.08	⑯	Resistor (51,000 ohms)	5868	.21
⑧	Oscillator Coil	03882	.51	⑰	Pilot Light	3463	.09
⑨	Compensating Condenser	04000-F	.10	⑱	Resistor (25,000 ohms)	3656	.12
⑩	Condenser (710 mmf.)	5863	.11	⑲	Resistor (32,000 ohms)	3525	.12
⑪	Compensating Condenser (part of gang condenser assembly)			⑳	On-off Switch	5382	.24
⑫	First I. F. Transformer	03887	.75	㉑	Power Transformer, 50-60 cycles Power Transformer, 25-40 cycles Power Transformer, 50-60 cycles, 230 volts	5266 5267 5268	2.55 4.05 3.00
⑬	Resistor (1,000 ohms)	5837	.12	㉒	Electrolytic Condenser (6 mfd.) 50-60 cycles	4916	1.05
⑭	By-pass Condenser (.05 mfd.)	3615-AC	.12	㉓	Electrolytic Condenser (10 mfd.) 25-40 cycles	5142	1.20
⑮	Compensating Condenser	04000-D	.06	㉔	Electrolytic Condenser (6 mfd.) By-pass Condenser (across power line) .01 mfd. double, Colonial Clock only	4916 3903-S	1.05 .12
⑯	Second I.F. Transformer	03886	.60	㉕	Clock Unit (60 cycles) Model 551 Clock Glass	5950 5942	3.15 .18
⑰	Compensating Condenser	04000-D	.06	㉖	Tube Shield	04011	.15
⑱	Resistor (33,000 ohms)	5279	.12	㉗	Knob (Large)	03064	.04
⑲	Resistor (99,000 ohms)	4411	.12	㉘	Knob (Small)	03437	.02
⑳	Condenser (250 mmf.)	5858	.10	㉙	Grid Clip	4897	per C .18
㉑	Resistor (10,000 ohms)	4412	.12	㉚	Five Prong Socket Assembly	4956	.06
㉒	Condenser (250 mmf.)	5858	.10	㉛	Four Prong Socket Assembly	5026	.05
㉓	Condenser (.1, .15, .25, 2-.5) 50-60 cycles	03915	.66	㉜	Pilot Light Bracket Complete	03814	.05
㉔	Condenser (.2, .15, .25, 2-.5) 25-40 cycles	03945	.66	㉝	Dial Complete	04031	.21
㉕	Resistor (490,000 ohms)	4517	.12	㉞	Bezel	5879	.12
㉖	Resistor (99,000 ohms)	4411	.12	㉟	Spring (Large)	5262	per C .21
㉗	Condenser (.01 mfd.)	3903-N	.10	㊱	Spring (Small)	4147	.01
㉘	Resistor (490,000 ohms)	4517	.12	㊲	Scroll (Model 551)	44613	.60
㉙	Condenser (.01 mfd.)	3903-K	.10	㊳	Turnings (3 used) Model 551	44607	.11
㉚	Output Transformer	2660	.75				
㉛	Voice Coil and Cone Assembly TYPE "S" (Large)	02887	.39				
	TYPE "P" (Small)	02861	.36				

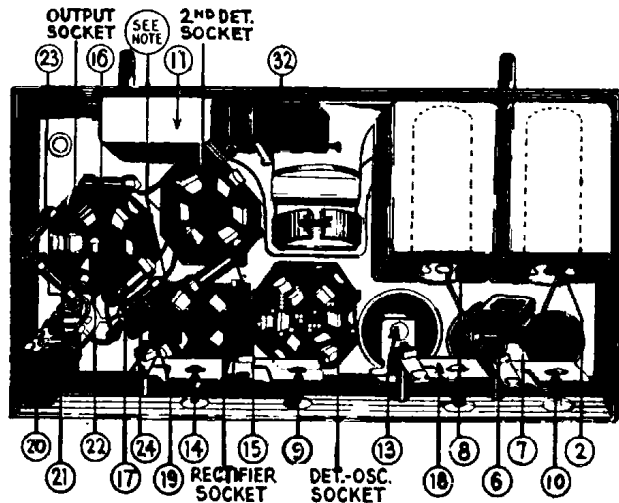
Model 53



Model 54



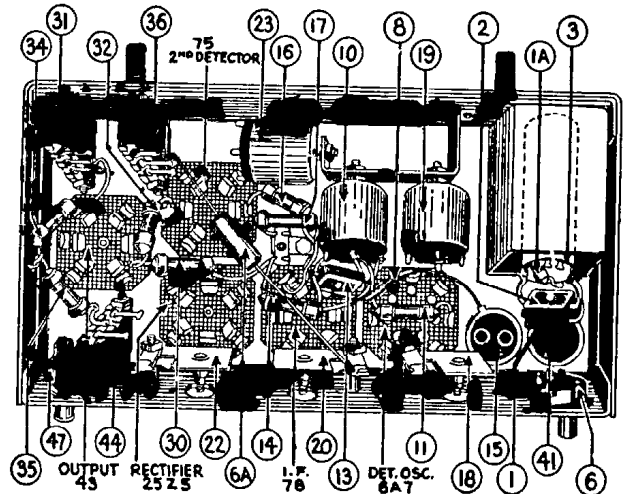
Model 53



Replacement Parts for Model 53

No. on Figs. 2, 3 and 4	Description	Part No.	NET PRICE
1	Volume Control	33-5001	.51
2	Antenna Transformer	32-1000	.24
3	Tuning Condenser Assembly	31-1000	1.05
4	Compensating Condenser (Part of Tuning Condenser Assembly)		
6	Filter Condenser Block (.05-.09-.25-.75-.2 Mfd.)	30-4000	.60
6	Condenser (.0014 Mfd.)	7007	.15
7	Resistor (8,000 ohms) Gray-Black-Red	5838	.12
7	Oscillator Transformer	32-1001	.39
9	Compensating Condenser (I.F. Primary)	04000-A	.08
10	Compensating Cond. (Low Frequency)	04000-S	.15
11	Condenser (10.0 Mfd.)	7440	.45
12	Compensating Condenser (Part of Tuning Condenser Assembly)		
13	I.F. Transformer	32-1002	.39
14	Compensating Cond. (I.F. Secondary)	04000-A	.08
15	Resistor (10,000 ohms) Brown-Black-Orange	4412	.12
16	Resistor (490,000 ohms) Yellow-White-Yellow	4517	.12
17	Resistor (10,000 ohms) Brown-Black-Orange	4412	.12
18	Compensating Condenser (Regeneration)	04000	.10
19	Condenser (.00025 Mfd.)	3082	.12
19	Condenser (.01 Mfd.)	3903-AM	.12
21	Resistor (240,000 ohms) Red-Yellow-Yellow	4410	.12
22	Resistor (490,000 ohms) Yellow-White-Yellow	4517	.12
23	Resistor (51,000 ohms) Green-Brown-Orange	4518	.12
24	Resistor (99,000 ohms) White-White-Orange	4411	.12
25	Condenser (.015 Mfd.)	3793-S	.10
26	Output Transformer	32-7000	.45
27	Voice Coil and Cone Assembly	36-3000	.21
28	A. C. Switch (Part of Volume Control Assembly)	33-5001	.51
28	Resistors (2 Wire Wound-108 ohms each)	33-3000	.15
28	Resistors (33-3001)	33-3001	.15
30	Electrolytic Condenser (8 Mfd.)	30-2000	.60
31	Electrolytic Condenser (8 Mfd.)	30-2000	.60
32	Condenser (.05 Mfd.)	3615-E	.12
33	Filter Choke	32-7001	.39
33	Tube Shield	7172	.08
33	Knobs (Both Controls)	03064	.04
33	Four Prong Socket	7544	.04
33	Six Prong Socket	7547	.06
33	Pointers for Station Selector	28-1019	.02
33	Dial	28-1021	.03

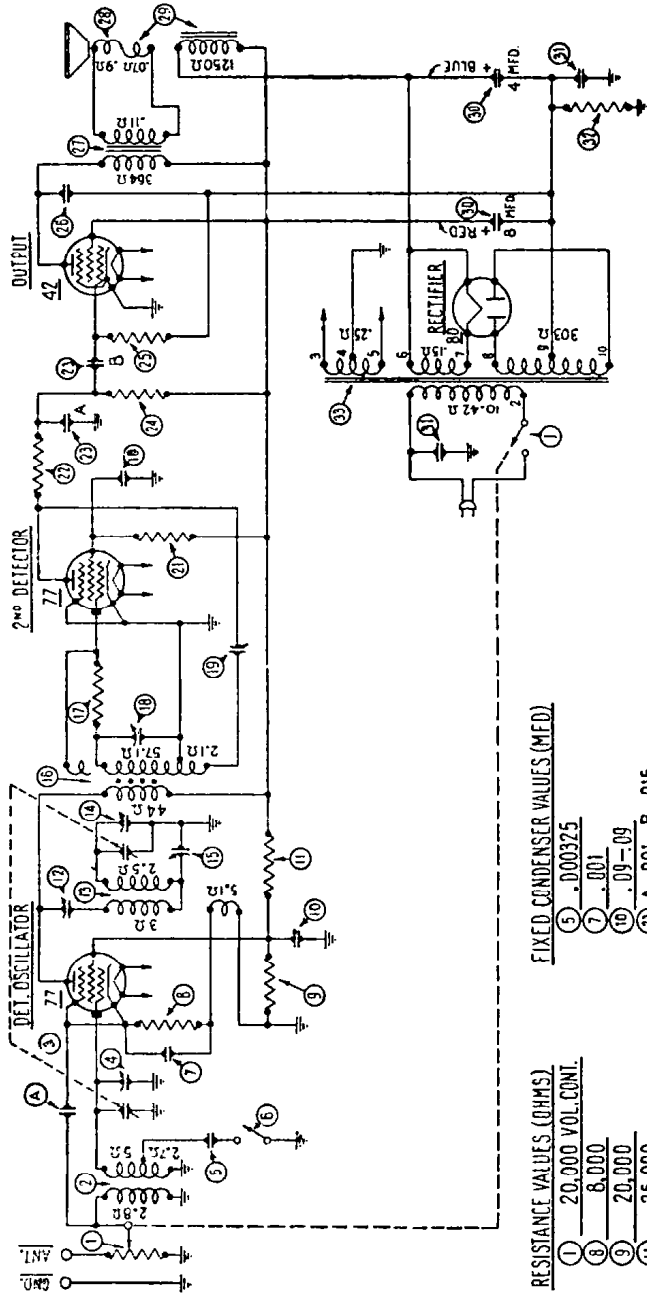
Model 54



Replacement Parts for Model 54

No. on Figs.	Description	Part No.	NET PRICE
1	Condenser	30-1005	.10
1a	Resistor (Green-Black-Red)	6096	.12
2	Condenser	5215	.12
3	Antenna Transformer Assembly	32-1117	.75
4	Tuning Condenser Assembly	31-1027	1.05
4	Compensating Condenser (Part of 4)		
6	Wave Band Switch	42-1027	.30
6	Condenser	30-4020	.08
6a	Condenser	30-4020	.08
7	Filter Condenser (Block)	30-4023	.60
7	Resistor (Flexible)	33-3010	.09
8	Compensating Condenser (High Frequency 1400) Part of 4		
10	Oscillator Coil	32-1115	.60
11	Resistor (Green-Brown-Orange)	4518	.12
12	Compensating Condenser (Low Freq.)	04000-B	.11
13	Condenser	4519	.11
14	Resistor (Green-Black-Red)	5310	.12
16	Electrolytic Condenser (Double)	30-2002	.60
17	Resistor (White-White-Orange)	4411	.12
17	Resistor (Gray-Black-Red)	5838	.12
18	Compensating Cond. (1st I. F. Primary)	04000-A	.08
19	1st I. F. Transformer	32-1115	.39
20	Compensating Condenser (1st I. F. Secondary)	04000-A	.08
21	Resistor (Red-Black-Green)	5872	.12
22	Compensating Cond. (2nd I. F. Primary)	04000-A	.08
23	2nd I. F. Transformer	32-1116	.45
24	Condenser (Double)	8035-G	.12
25	Volume Control and "On-Off" Switch	33-5010	.60
26	Resistor (Green-Brown-Orange)	4518	.12
28	Condenser	3903A M	.12
29	Resistor (Yellow-White-Yellow)	6097	.12
30	Resistor (Green-Brown-Orange)	4518	.12
31	Condenser (Double)	8035-F	.11
32	Resistor (Red-Yellow-Yellow)	4410	.12
34	Resistor (Yellow-White-Yellow)	4517	.12
35	Resistor (Red-Green-Orange)	4516	.12
36	Condenser	3793-Y	.10
37	Output Transformer	32-7020	.48
38	Voice Coil and Cone Assembly	36-3029	.36
39	Field Coil and Pot Assembly	36-3040	.96
40	Filter Choke	32-7036	.45
41	Electrolytic Condenser	30-2001	.75
42	Resistor (Wire Wound)	33-3012	.15
43	Resistor (Yellow-White-Yellow)	6097	.12
44	Condenser	3615-B	.18
45	Pilot Lamp	4567	.11
46	Resistor (Wire Wound)	33-3011	.15
47	Safety Switch	42-1026	.60
47	Tube Shield	28-1130	.06
47	Six Prong Socket	7547	.06
47	Seven Prong Socket	27-6005	.06
47	Tuning Scale	27-5008	.08
47	Volume Control Scale	27-5010	.08

MODEL 57



RESISTANCE VALUES (OHMS)

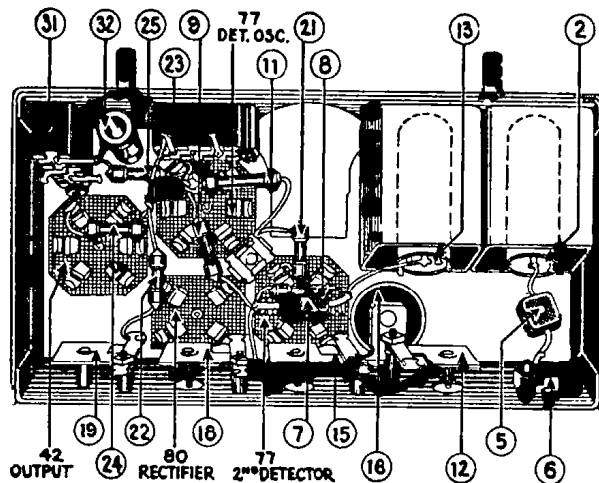
1	20,000 VOL. CONT.
8	8,000
9	20,000
11	25,000
17	4000,000
21	1,000,000
27	10,000
28	240,000
29	490,000
30	325 (WIRE WOUND)

FIXED CONDENSER VALUES (MFD.)

5	.000325
7	.001
10	.09-.09
23	A-.001-B-.015
26	.006
31	.015-.015

Note (A)—This capacity obtained by pair twisted wires

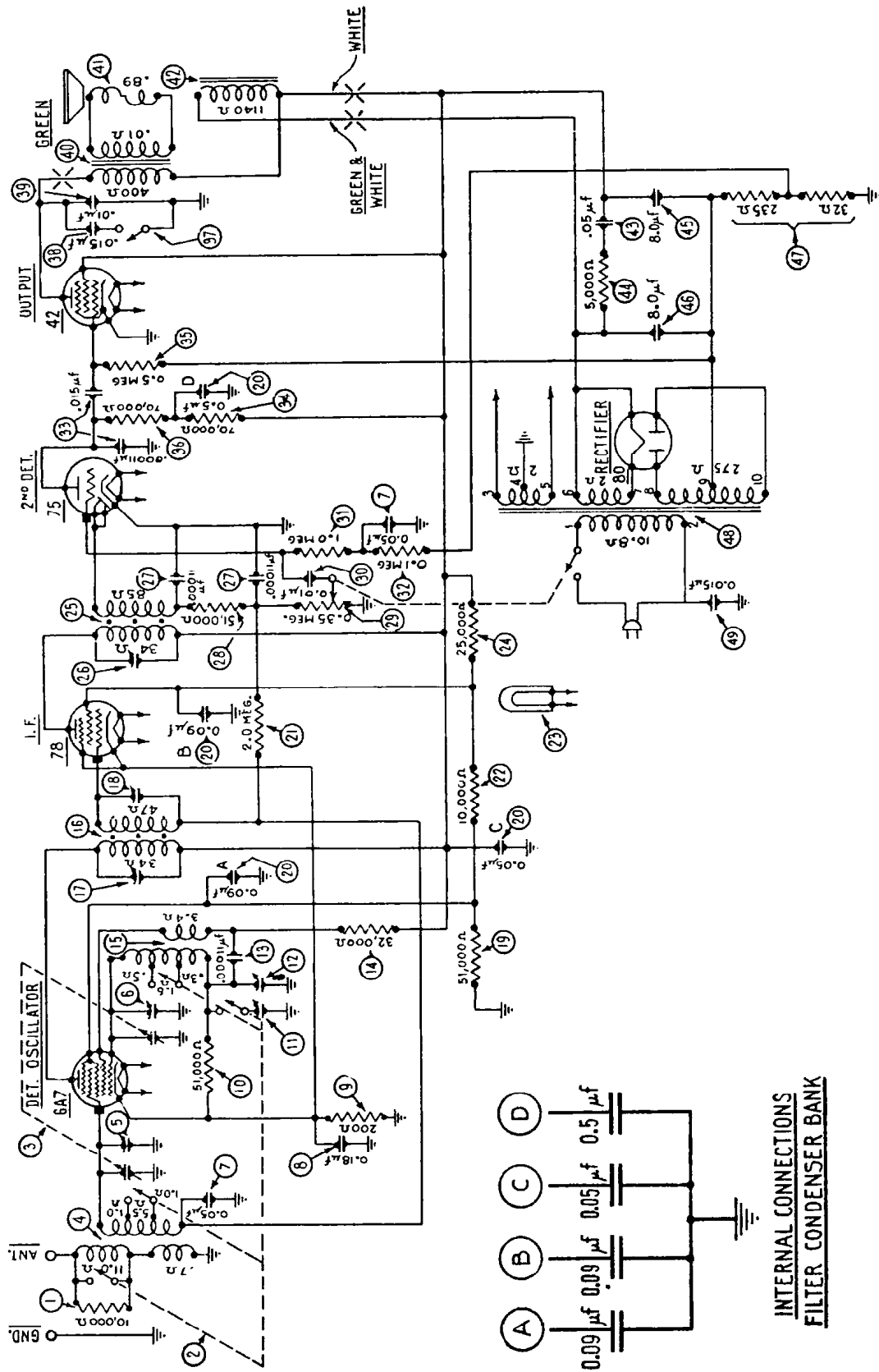
Model 57



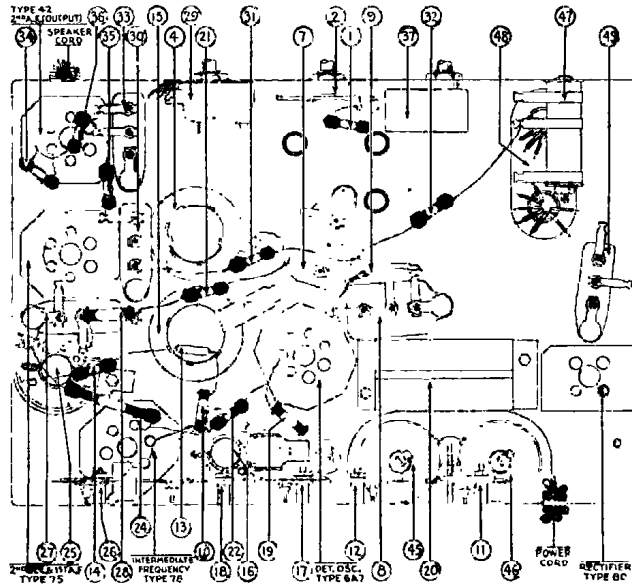
REPLACEMENT PARTS MODEL 57

No. on Figs.	Description	Part No.	DEALER NET PRICE	No. on Figs.	Description	Part No.	DEALER NET PRICE
①	Volume Control and "On-Off" Switch. . . .	33-5011	.48	⑮	Compensating Cond. (I. F. Secondary) . . .	04000-D	.06
②	Antenna Transformer	32-1153	.30	⑰	Compensating Condenser	04000	.10
②	Tuning Condenser Assembly	31-1035	1.05	⑳	Resistor (Brown-Black-Green)	4409	.12
④	Compensating Condenser (Antenna; Part of ③)			㉑	Resistor (Brown-Black-Orange)	4412	.12
⑤	Condenser	30-1004	.10	㉒	Condenser (Double)	7762-B	.12
⑤	Wave Band Switch	42-1027	.30	㉓	Resistor (Red-Yellow-Yellow)	4410	.12
⑦	Condenser	5215	.12	㉔	Resistor (Yellow-White-Yellow)	3769	.12
⑧	Resistor (Gray-Black-Rod)	5838	.12	㉕	Condenser	7625-E	.08
⑧	Resistor (Red-Black-Orange)	6650	.15	㉖	Output Transformer	32-7041	.48
⑩	Condenser (Double)	4989-C	.15	㉗	Voice Coil and Cone Assembly	36-3029	.36
⑪	Resistor (Red-Green-Orange)	3656	.12	㉘	Field Coil and Pot Assembly	36-3031	.90
⑫	Compensating Condenser (I. F. Primary)	04000-A	.08	㉙	Electrolytic Condenser (Double)	30-2004	.96
⑬	Oscillator Coil	32-1023	.51	㉚	Condenser (Double)	3793-R	.15
⑭	Compensating Cond. (High Frequency—1400 kilocycles) (Part of ③)			㉛	Resistor (Wire Wound)	7465	.08
⑮	Compensating Cond. (Low Frequency)	04000-S	.15	㉜	Power Transformer	32-7046	1.95
⑯	I. F. Transformer	32-1155	.60		Tube Shield	28-1107	.06
⑰	Resistor (Yellow-Black-Green)	6010	.12		Four Prong Socket	7544	.04
					Six Prong Socket	7547	.06

Model 60



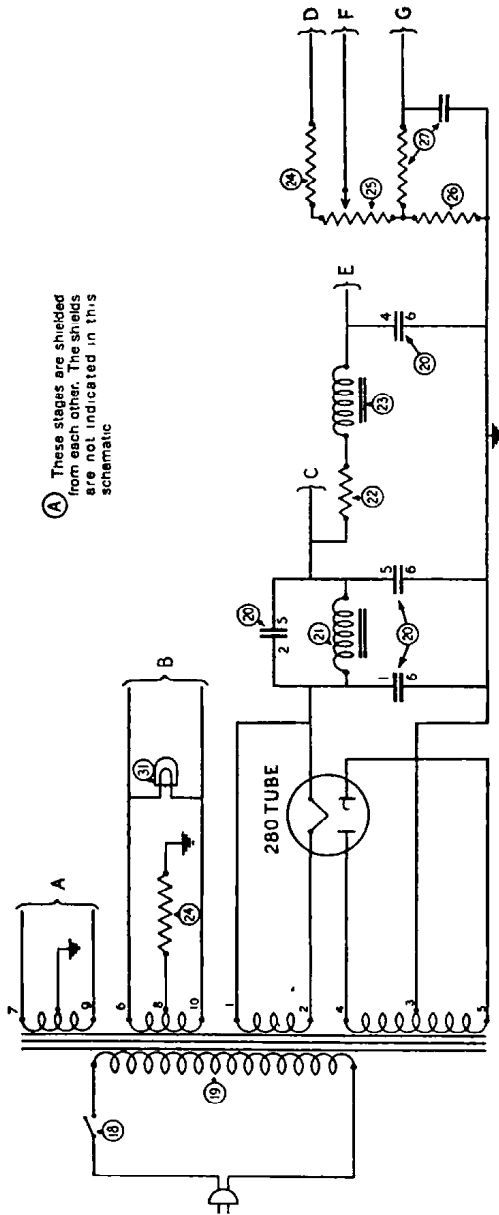
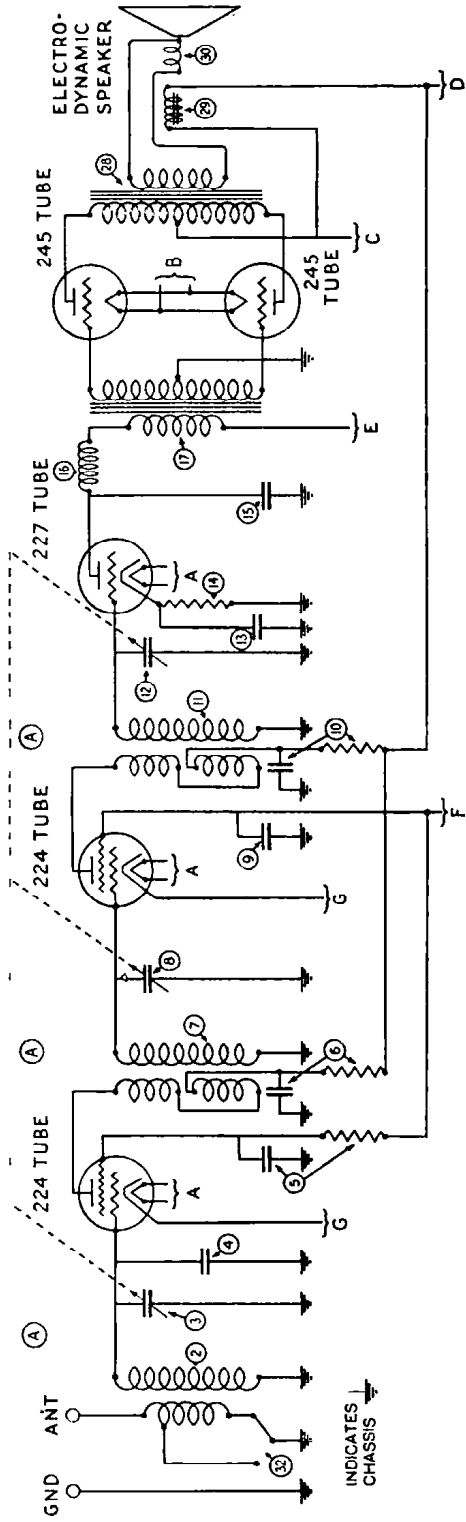
MODEL 60



REPLACEMENT PARTS FOR MODEL 60

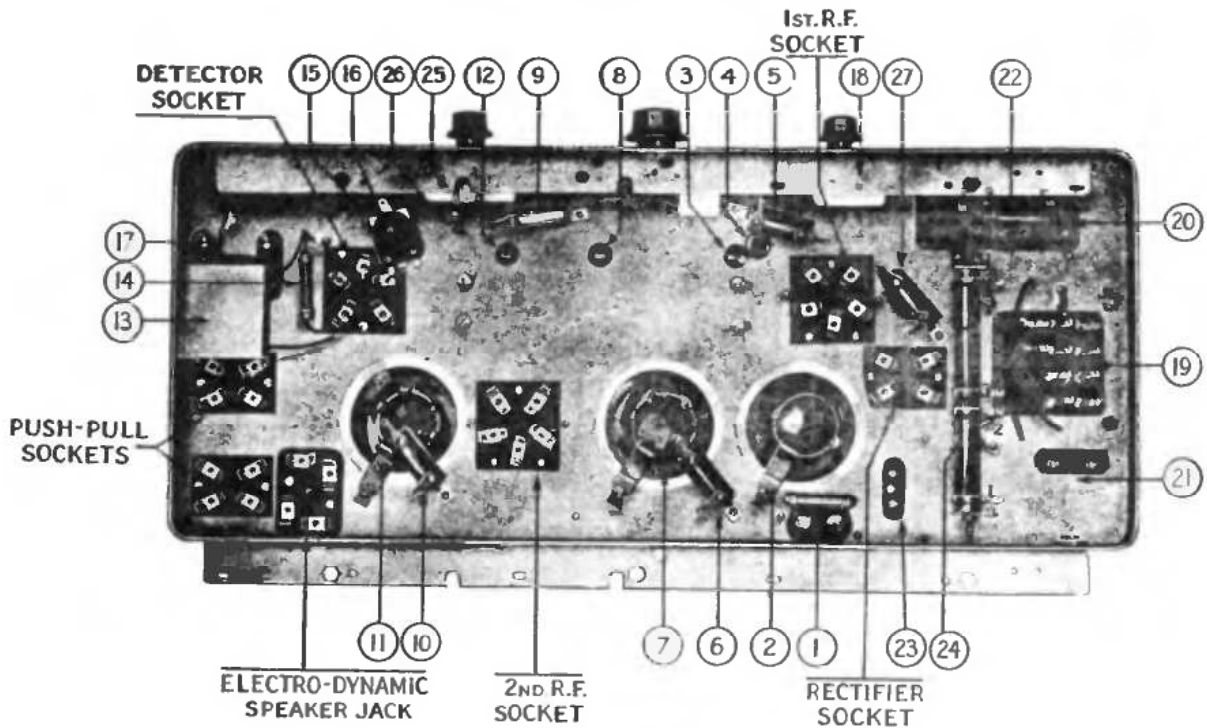
No. on Figs.	Description	Part No.	NET PRICE	No. on Figs.	Description	Part No.	NET PRICE
①	Resistor (10,000) (Brown-Black-Orange)	4412	.12	③①	Resistor (25,000) (Red-Green-Orange)	3656	.12
②	Wave-Band Switch	42-1001		③②	Second I. F. Transformer	32-1050	
③	Tuning Condenser Assembly	31-1006		③③	Compensating Cond. (2nd. I. F. Primary)	04000-M	.10
④	Antenna Transformer	32-1047		③④	Condenser (Double) (.00011-.00011)	8035-B	.10
⑤	Compensating Condenser (Ant.; H. F.; Part of ③)			③⑤	Resistor (51,000) (Green-Brown-Orange)	4518	.12
⑥	Compensating Condenser (Osc.; H. F.; Part of ③)			③⑥	Volume Control and "On-Off" Switch	33-5006	
⑦	Condenser (Double) (.05-.05)	3615-AJ	.15	③⑦	Condenser (.01)	3903-AP	
⑧	Condenser (.18)	4989-Z		③⑧	Resistor (1.0 meg.) (Brown-Black-Green)	4409	.12
⑨	Resistor (Flexible Wire-Wound) (200) (Red-Black-Brown)	7217	.09	③⑨	Resistor (.1 meg.) (White-White-Orange)	4411	.12
⑩	Resistor (51,000) (Green-Brown-Orange)	4518	.12	③⑩	Condenser (Double) (.00011-.015)	8035-D	
⑪	Compensating Condenser (Osc.; L. F.; Police Band)	04000-S	.15	③⑪	Resistor (70,000) (Violet-Black-Orange)	5385	.12
⑫	Compensating Condenser (Osc.; L. F.; Broadcast Band)	04000-S	.15	③⑫	Resistor (.5 meg.) (Yellow-White-Yellow)	4517	.12
⑬	Condenser (.00011)	4519	.11	③⑬	Resistor (70,000) (Violet-Black-Orange)	5385	.12
⑭	Resistor (32,000) (Orange-Red-Orange)	5279	.12	③⑭	Tone Control	30-4008	
⑮	Oscillator Transformer	32-1048		③⑮	Condenser (Part of ③⑭) — (.015)		
⑯	First I. F. Transformer	32-1049		③⑯	Condenser (Part of ③⑭) — (.01)		
⑰	Compensating Cond. (1st I. F. Primary)	04000-M	.10	③⑰	Output Transformer	32-7019	.75
⑱	Compensating Cond. (1st I. F. Secondary)	04000-A	.08	③⑱	Voice Coil and Cone Assembly	36-3014	.30
⑲	Resistor (51,000) (Green-Brown-Orange)	4518	.12	③⑲	Speaker Field, assembled with Pot (S-7)	36-3037	
⑳	Filter Condenser Bank	30-4013	.39	④①	Condenser (Electrolytic) (8.0)	7558	.75
㉑	Resistor (2 meg.) (Red-Black-Green)	5872	.12	④②	Condenser (Electrolytic) (8.0)	7558	.75
㉒	Resistor (10,000) (Brown-Black-Orange)	4412	.12	④③	Resistor (Wire-Wound)	7998	.09
㉓	Pilot Lamp (Station Selector)	6008	.09	④④	Power Transformer (50-60 ~)	8046	1.80
				④⑤	Condenser (.015)	3793-W	.10
				④⑥	Tube Shield	28-1107	.06
				④⑦	Four-Prong Tube Socket	7544	.04
				④⑧	Six-Prong Tube Socket	7547	.05
				④⑨	Seven-Prong Tube Socket	27-6005	.06

Philco Model 65



(A) These stages are shielded from each other. The shields are not indicated in this schematic

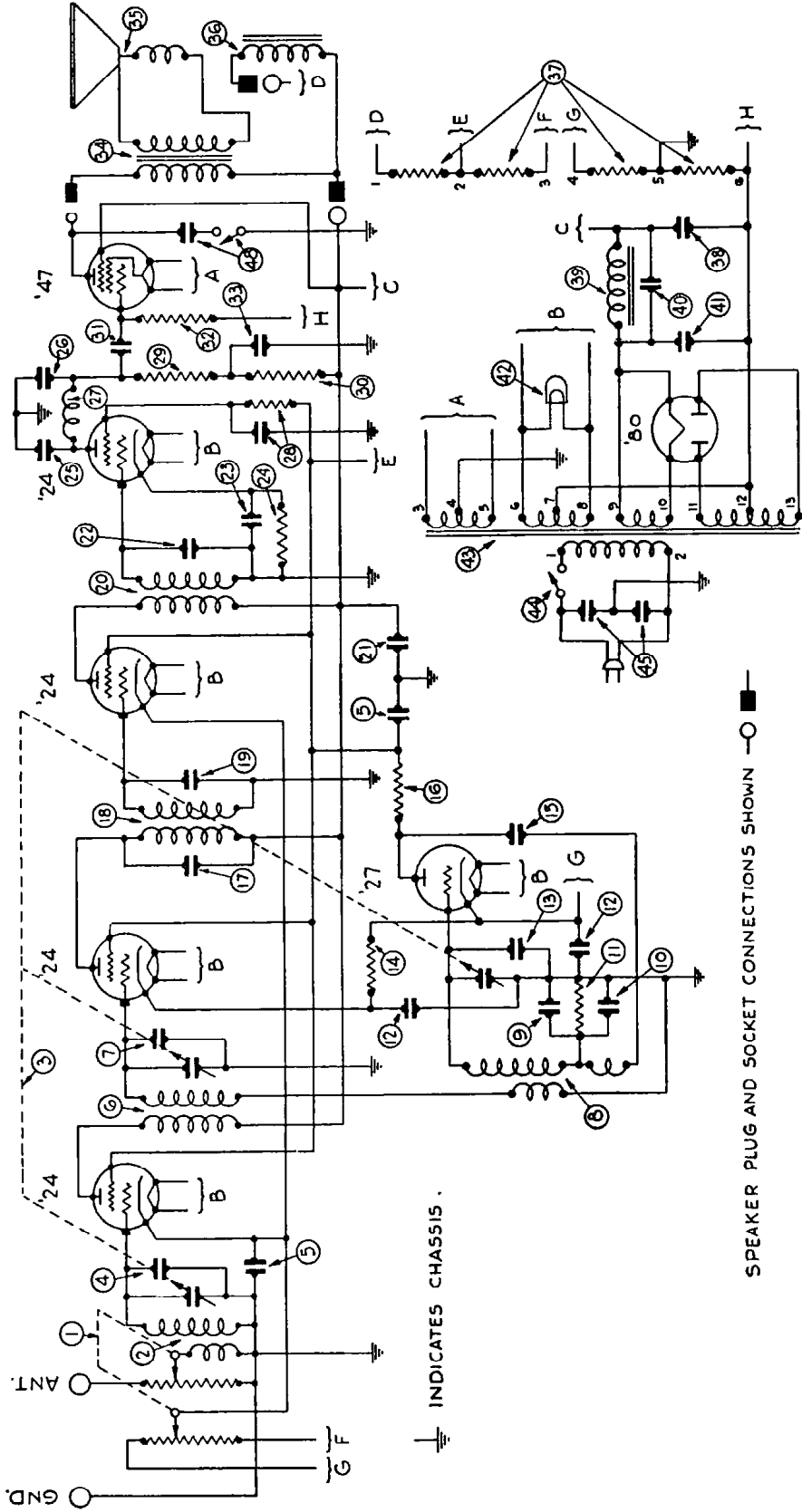
Philco Model 65



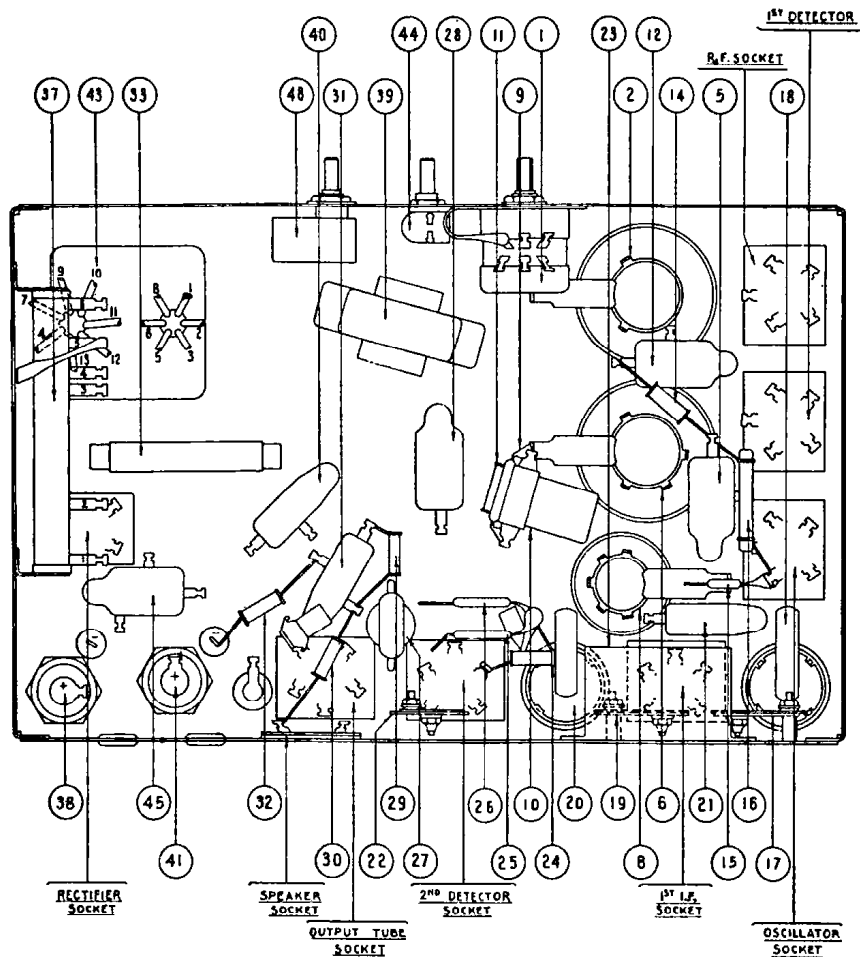
Replacement Parts for Model 65

NUMBER	DESCRIPTION	PART NO.	DEALER NET PRICE	DEALER NET PRICE
①	Antenna Resistor	3524	.12	3528 .60
②	R. F. Transformer (Antenna Coil)	3506-B	.54	3628 .09
③ - ④ - ⑤	Tuning Condenser	3480-B	5.40	3292-B .30
⑥	Fixed Compensator	3617-A		2948 1.20
⑦	Screen Grid By-Pass Condenser and Resistance	3292-A	.30	2850 1.95
⑧ - ⑩	Plate By-Pass Condenser and Resistance	3584-A	.27	2844-A .75
⑪ - ⑫	R. F. Transformer	3506-A	.75	3463 .09
⑬	Screen Grid By-Pass Condenser	3292-P	.21	3579
⑭	Detector Cathode By-Pass Condenser	3583	.24	3580
⑮	Detector Cathode Resistor	3525	.12	3305 .02
⑯	.001 Detector Plate By-Pass Condenser	3081	.15	3423-A .12
⑰	R. F. Choke	3250-A	.15	3442-A .15
⑱	Push-Pull Input Transformer	3537	2.10	3464-A .21
⑲	Set Power Switch	3517	.36	3556-A .12
⑳	Power Transformer	3516	4.20	1-543-A .60
㉑	B Filter Condenser Block	3515	5.55	1-1056-A .90
㉒	First Filter Choke	3422	1.50	3558 .03
㉓	Detector Plate Resistor	3526	.12	3184 .15
㉔	Second Filter Choke	3518	1.66	2967 .04
㉕	BC Resistor	3512	.75	3312 1.20
㉖	Volume Control	3528		
㉗	Six-Ohm Resistor	3628		
㉘	Cathode By-Pass Condenser and Resistance	3292-B		
㉙	Push-Pull Output Transformer	2948		
㉚	Speaker Field Winding	2850		
㉛	Voice Coil and Cone	2844-A		
㉜	Pilot Lamp	3463		
㉝	Knob (Small)	3579		
㉞	Knob (Large)	3580		
㉟	Knob Spring	3305		
	Four Hole Socket Assembly	3423-A		
	Five Hole Socket Assembly	3442-A		
	Speaker Plug Socket Assembly	3464-A		
	Pilot Lamp Socket Assembly	3556-A		
	A.C. Attachment Cord and Plug	1-543-A		
	Speaker Plug and Cable	1-1056-A		
	Rubber Washer	3558		
	Rubber Foot (Set)	3184		
	Rubber Foot (Speaker)	2967		
	Socket Wrench for Speaker Mounting Bolts	3312		

MODELS 70 AND 70-A



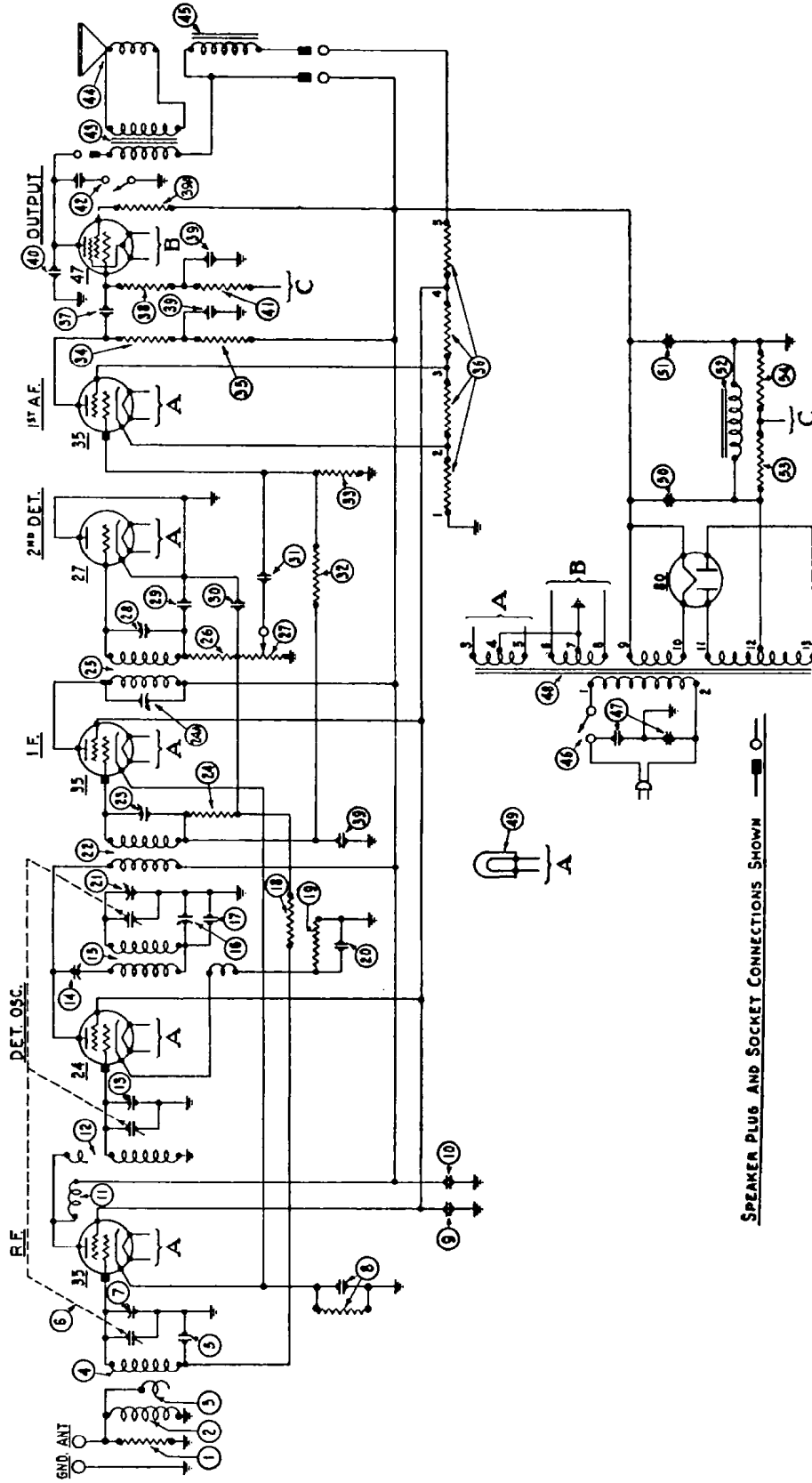
MODELS 70 AND 70-A



REPLACEMENT PARTS—MODELS 70 AND 70-A

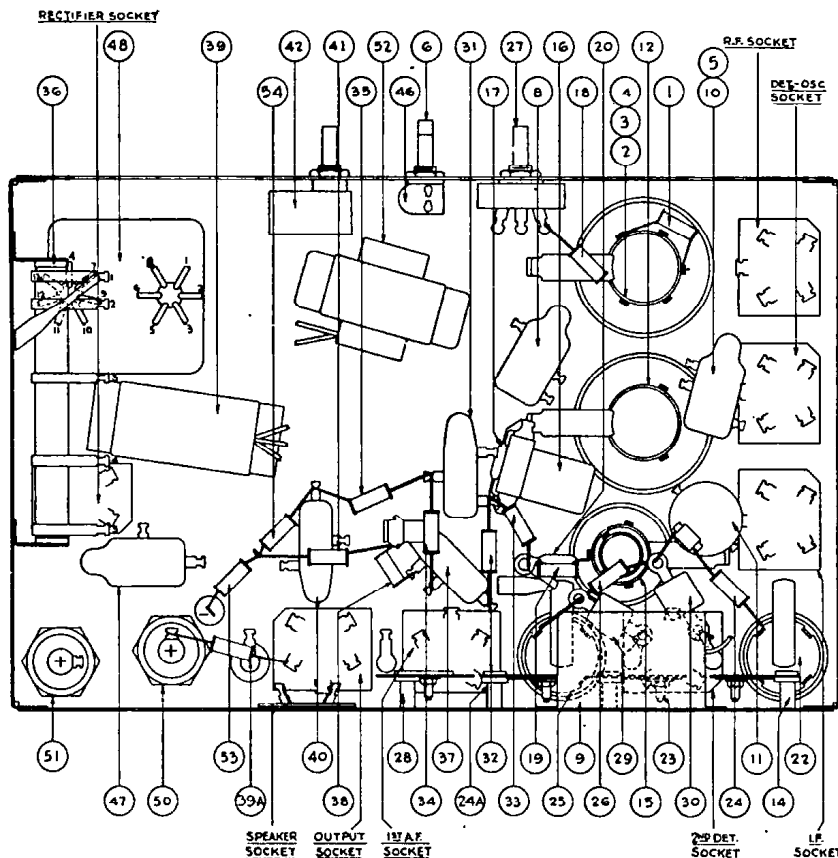
No. on Figs. 3 and 4	Description	Part No.	NET PRICE	No. on Figs. 3 and 4	Description	Part No.	NET PRICE
①	Volume Control	5039	.90	⑳	Condenser (.01 mfd.)	3903-L	.10
②	R. F. Transformer	03082	.36	㉑	Resistor (240,000 ohms)	4410	.12
③	Tuning Condenser (50-60 cycles)	03076	3.00	㉒	Condenser (.25 mfd.)	4264	.24
④	Tuning Condenser (25-40 cycles)	03077	3.80	㉓	Output Transformer	2673	1.20
⑤	Compensating Condenser— Antenna—(Part of Gang Con- denser Assembly)			㉔	Voice Coil and Cone Assembly	02996	.45
⑥	Condenser (.09 mfd. Double)	4989-C	.15	㉕	Field Coil (Assembled with Pot)	02966	1.35
⑦	Detector Transformer	03083	.33	㉖	B. C. Resistor	03079	.30
⑧	Compensating Condenser— Detector—(Part of Gang Con- denser Assembly)			㉗	Electrolytic Condenser (6 mfd.) 50-60 cycles	4916	1.05
⑨	Oscillator Coil	03084	.30	㉘	Electrolytic Condenser (10 mfd.) 25-40 cycles	5142	1.20
⑩	Condenser (410 mmf.)	5120	.11	㉙	Choke	4819	.90
⑪	Compensating Condenser—Low Frequency	04000-F	.10	㉚	Condenser (.09 mfd.) 50-60 cycles	4989-J	.10
⑫	Resistor (51,000 ohms)	4518	.12	㉛	Condenser (.18 mfd.) 25-40 cycles	4989-K	.15
⑬	Condenser (.09 mfd. Double)	4989-C	.15	㉜	Electrolytic Condenser (6 mfd.) 50-60 cycles	4916	1.05
⑭	Compensating Condenser—High Frequency—(Part of Gang Condenser Assembly)			㉝	Electrolytic Condenser (10 mfd.) 25-40 cycles	5142	1.20
⑮	Resistor (5,000 ohms)	5310	.12	㉞	Pilot Light	3463	.09
⑯	Condenser (110 mmf.)	4519	.11	㉟	Power Transformer (50-60 cycles)	5117	3.90
⑰	Resistor (13,000 ohms)	3766	.12	㊱	Power Transformer (25-40 cycles)	5118	5.25
⑱	Compensating Condenser—1st I. F. Primary	04000-J	.12	㊲	Power Transformer (50-60 cycles, 230 volts)	5119	4.05
㉑	First I. F. Transformer	03091	.45	㊳	"On-Off" Switch	4095	.30
㉒	Compensating Condenser—1st I. F. Secondary	04000-H	.11	㊴	Condenser (.015 mfd. Double)	3793-K	.12
㉓	Second I. F. Transformer	03092	.48	㊵	Tube Shield	03987	.21
㉔	Condenser (.05 mfd.)	3615-L	.10		Bezel	5312	.03
㉕	Compensating Condenser—2nd I. F. Secondary	04000-K	.12		Knob (Large)	03064	.04
㉖	Condenser (.5 mfd.)	3583	.24		Knob (Small)	03437	.02
㉗	Resistor (51,000 ohms)	4518	.12		Spring (Small)	4147	.01
㉘	Condenser (500 mmf.)	3910	.12		Spring (Large)	5262	per C .21
㉙	Condenser (250 mmf.)	3082	.12		Grid Clip	4897	per C .18
㉚	R. F. Choke	03086	.21		Five Prong Socket Assembly	4956	.06
㉛	Condenser (.09 Combined with 250 ohm Resistor)	4989-E	.21		Four Prong Socket Assembly	4955	.05
㉜	Resistor (240,000 ohms)	4410	.12		Dial Complete	03031	.36
㉝	Resistor (45,000 ohms) 50-60 cycles	5256	.12				
㉞	Resistor (99,000 ohms) 25-40 cycles	4411	.12				

MODELS 70 AND 70-A



SPEAKER PLUG AND SOCKET CONNECTIONS SHOWN

MODELS 70 AND 70-A

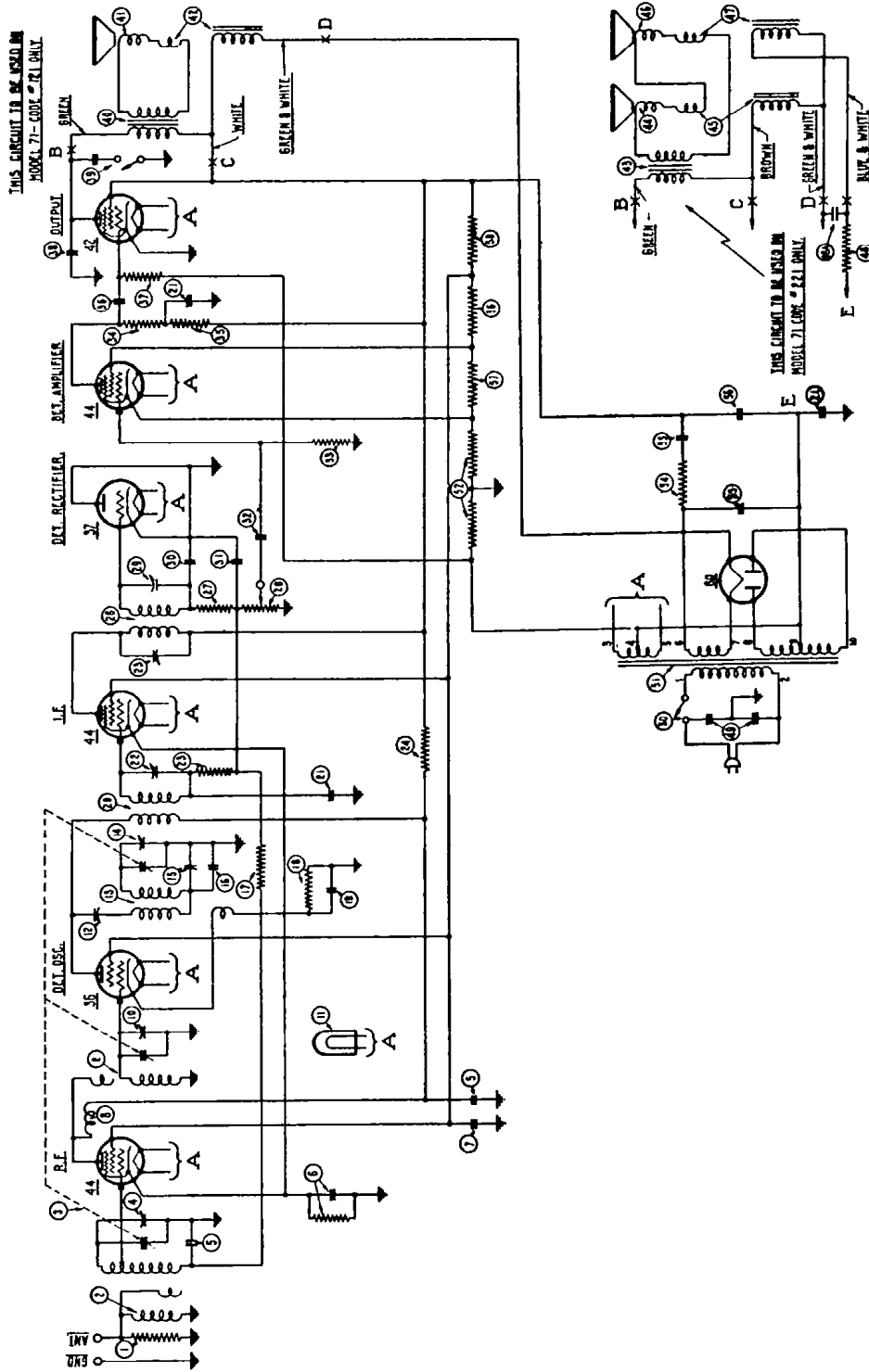


REPLACEMENT PARTS MODELS 70 AND 70-A

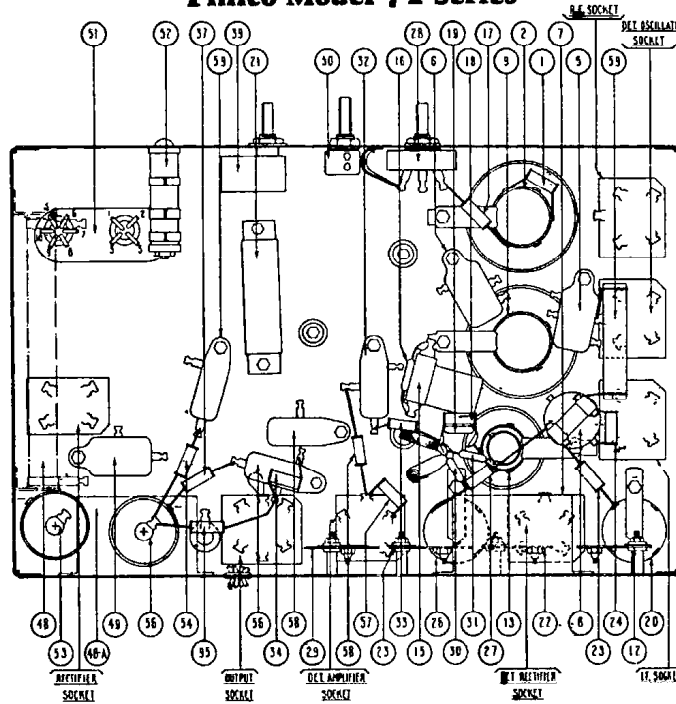
(Above Serial No. B-22,000)

No. on Figs. 3 and 4	Description	Part No.	NET PRICE	No. on Figs. 3 and 4	Description	Part No.	NET PRICE
①	Resistor (10,000 ohms)	4112	.12	Ⓢ	B. C. Resistor	04196	.30
②	Antenna Coil	04339	.45	Ⓣ	Condenser (.01 mfd.)	3903-T	.10
③	Condenser (.05 mfd.) double	3615-AF	.15	Ⓤ	Resistor (490,000 ohms)	4517	.12
④	Tuning Condenser Assembly 50-60 cycles	04104	3.00	Ⓥ	Filter Condenser Block (.05, .25, 1.5 mfd.)	04194	.66
⑤	Tuning Condenser Assembly 25-40 cycles	04105	3.00	Ⓦ	A Resistor (3,000 ohms)	5309	.12
⑥	Compensating Condenser — Antenna — (Part of Tuning Condenser Assembly)			Ⓧ	Condenser (.01 mfd.)	2903-U	.12
⑦	Condenser (.09 mfd. and 200 ohm Resistor)	4989-L	.15	Ⓨ	Resistor (330,000 ohms) 50-60 cycles	6046	.12
⑧	Condenser (.5 mfd.)	3583	.24	Ⓩ	Resistor (490,000 ohms) 25-40 cycles	4517	.12
⑨	Combined with ⑧			ⓐ	Tone Control	03637	.18
⑩	R. F. Choke	04198	.24	ⓑ	Output Transformer	2673	1.20
⑪	Interstage Coil	04185	.30	ⓓ	Voice Coil & Cone Assembly	02996	.45
⑫	Compensating Condenser — Detector — (Part of Tuning Condenser Assembly)			ⓔ	Field Coil Assembled with Pot	02906	1.35
⑬	Compensating Condenser—Coupling	04000-M	.10	ⓕ	On-Off Switch	4095	.30
⑭	Oscillator Coil	04186	.60	ⓖ	Condenser (.015 mfd. Double)	3793-11	.12
⑮	Compensating Condenser — Low Frequency	04000-F	.10	ⓗ	Power Transformer (50-60 cycles)	5117	3.90
⑯	Condenser (410 mmf.)	5120	.11	ⓘ	Power Transformer (25-40 cycles)	5118	6.25
⑰	Resistor (2,000,000 ohms)	5872	.12	ⓙ	Power Transformer (50-60 cycles, 250 volts)	5119	4.05
⑱	Resistor (10,000 ohms)	4412	.12	ⓚ	Pilot Light	3408	.09
⑲	Condenser (700 mmf.)	4520	.12	ⓛ	Electrolytic Condenser (6 mfd.) 50-60 cycles	4916	1.05
⑳	Compensating Condenser — High Frequency—(part of Tuning Condenser Assembly)			ⓜ	Electrolytic Condenser (14 mfd.) 25-40 cycles	5725	1.35
㉑	First I. F. Transformer	04190	.60	ⓝ	Electrolytic Condenser (6 mfd.) 50-60 cycles	4916	1.05
㉒	Compensating Condenser—First I. F.	04000-M	.10	ⓞ	Electrolytic Condenser (10 mfd.) 25-10 cycles	5142	1.20
㉓	Resistor (2,000,000 ohms)	5872	.12	ⓐ	Filter Choke	4819	.90
㉔	Compensating Condenser 2nd I.F. Primary	04000-M	.10	ⓑ	Resistor (51,000 ohms)	4518	.12
㉕	Second I. F. Transformer	03008	.45	ⓓ	Resistor (490,000 ohms)	4517	.12
㉖	Resistor (99,000 ohms)	4411	.12	ⓔ	Tube Shield	04188	.24
㉗	Volume Control	6015	.45	ⓕ	Knob (Large)	03064	.04
㉘	Compensating Condenser—Second I. F.	04000-M	.10	ⓖ	Knob (Small)	03437	.02
㉙	Condenser (110 mmf.)	4519	.11	ⓗ	Knob Spring	4147	.01
㉚	Condenser (110 mmf.)	4519	.11	ⓙ	Grid Clip	4897	per C .18
㉛	Condenser (.01 mfd.)	3903-C	.10	ⓚ	Five Prong Socket Assembly	4950	.06
㉜	Resistor (4,000,000 ohms)	6010	.12	ⓛ	Four Prong Socket Assembly	4955	.05
㉝	Resistor (1,000,000 ohms)	4409	.12	ⓜ	Dial Complete	00031	.36
㉞	Resistor (70,000 ohms)	5385	.12	ⓝ	Bozal	5312	.03
㉟	Resistor (25,000 ohms)	4516	.12	ⓞ	Chassis Mounting Screw	W-468	per C 2.10
				ⓟ	Mounting Washer	W-315	per C .24
				ⓠ	Rubber Washer	5180	per C 1.80

Philco Model 71 Series



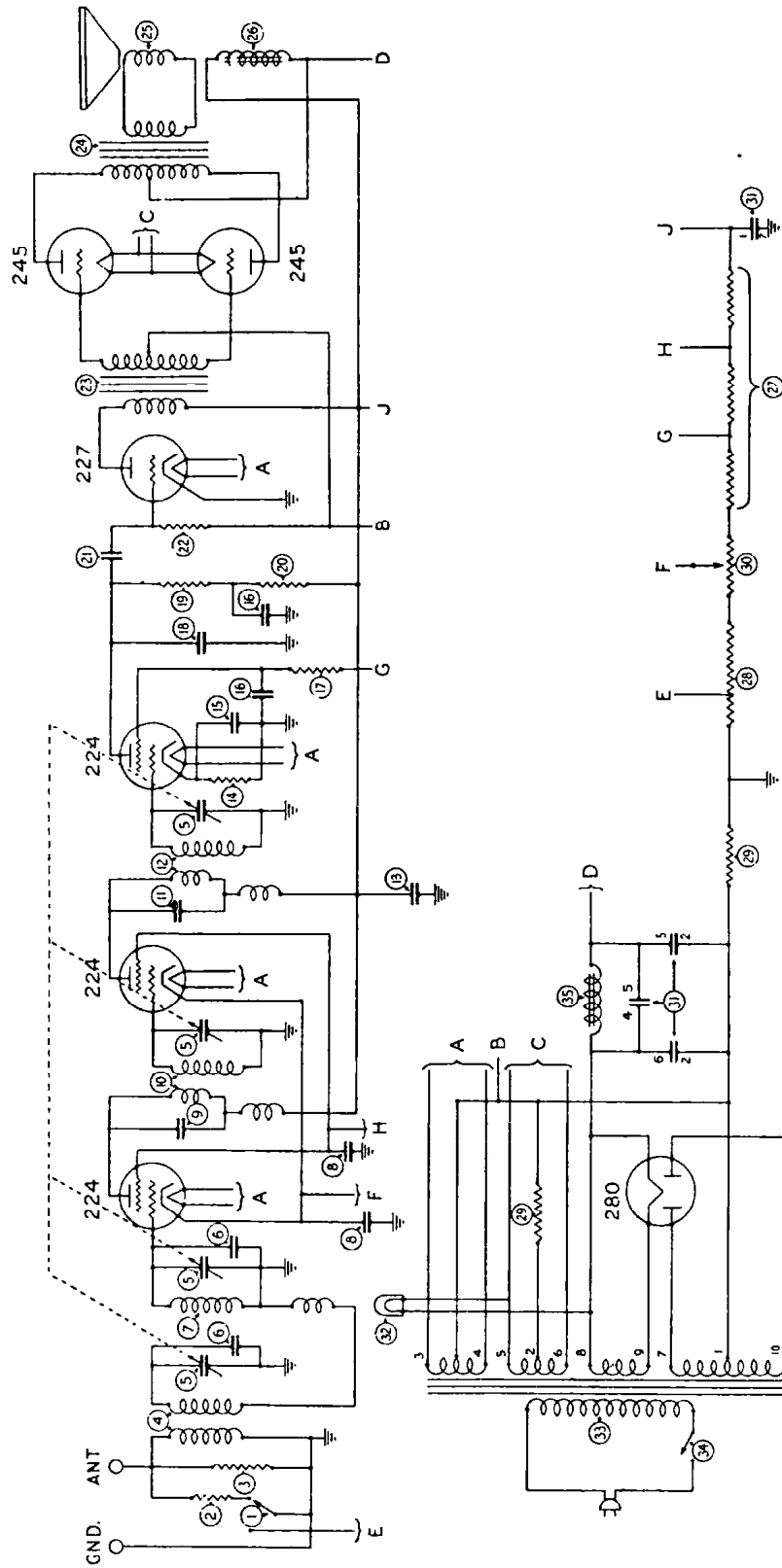
Philco Model 71 Series



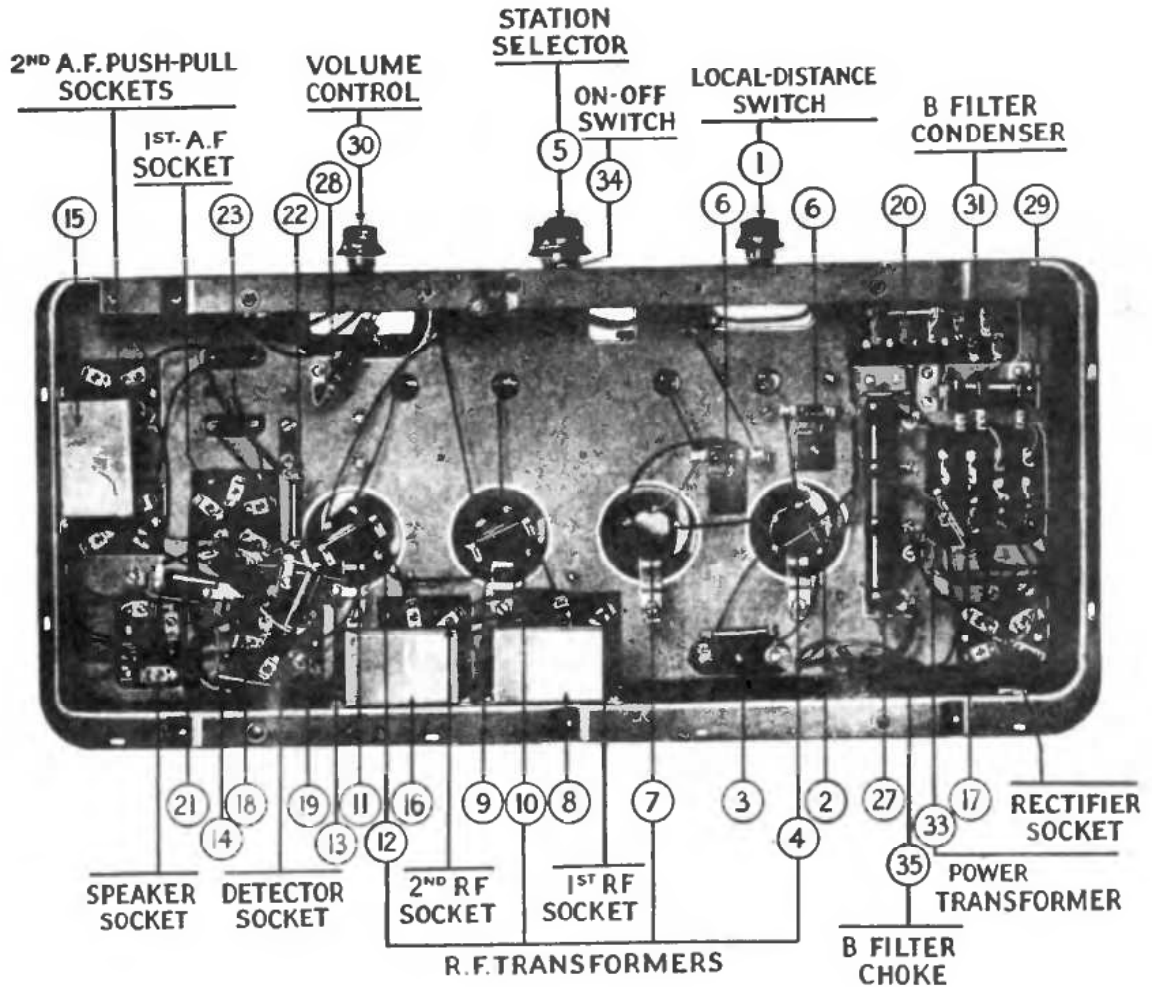
Replacement Parts for Model 71 Series

		NET PRICE			NET PRICE		
①	Resistor (10,000 ohms)	4412	.12	●	Speaker Field and Bucking Coil assembled with pot—(K-7) single speaker models	02761	1.35
②	R. F. Transformer	04339	.45	●	Output Transformer — Twin speaker models	2564	.81
③	Tuning Condenser (50-60 cycles)	04733	2.55	●	Voice Coil and cone assembly.	02823	.27
④	Tuning Condenser (25-40 cycles)	04734	2.55	●	Speaker Field and Bucking Coil assembled with pot—(K-10) Twin speaker models	02767	1.35
⑤	Condenser (.05 Mfd. double)	3615-AF	.15	●	Voice coil and cone assembly.	02823	.27
⑥	Condenser (.09 Mfd. and 200 ohm resistor)	4989-I.	.15	●	Speaker field assembled with pot —(K-9) Twin speaker models	02762	1.65
⑦	Condenser (.5 Mfd.)	3683	.24	●	Resistor (5620 ohms) wire wound —Twin speaker models	6451	.18
⑧	R. F. Choke	04198	.24	●	A Condenser (.25 Mfd.) Twin Speaker Models	04997	.21
⑨	Detector Transformer	04185	.30	●	Condenser (.015 Mfd. Double)	3793-H	.12
⑩	Compensating Condenser—Detector—Part of tuning condenser assembly			●	On-off Switch	6498	.24
⑪	Pilot Light	6608	.09	●	Power Transformer—50-60 cycles—single speaker	6454	2.25
⑫	Compensating Condenser — 1st I. F. primary	04000-M	.10	●	Power Transformer—25-40 cycles—single speaker	6455	3.90
⑬	Oscillator Coil	04186	.60	●	Power Transformer—50-60 cycles—230 volts—single speaker	6456	2.55
⑭	Compensating Condenser—High frequency—Part of tuning condenser assembly			●	Power Transformer—50-60 cycles—twin speaker	6457	2.55
⑮	Compensating condenser—Low frequency	04000-F	.10	●	Power Transformer—25-40 cycles—twin speaker	6458	4.05
⑯	Condenser (410 Mmf.) (Yellow and Orange)	5120	.11	●	Power Transformer—50-60 cycles—230 volts—twin speaker	6459	3.00
⑰	Resistor (1,000,000 ohms)	4409	.12	●	Resistor—wire wound (245 ohms and 185 ohms)	6452	.10
⑱	Resistor (15,000 ohms)	6208	.12	●	Electrolytic Condenser (6 Mfd.) (50-60 cycles) single speaker	6453	.93
⑲	Condenser (700 Mmf.) (White and Yellow)	4520	.12	●	8 Mfd. Twin speaker	6707	.90
⑳	First I. F. Transformer	04190	.60	●	Resistor (10,000 ohms)	4412	.12
㉑	Filter Condenser Bank (2 —.05, .25 Mfd.)	04731	.24	●	Condenser (.05 Mfd.)	3615-G	.10
㉒	Compensating Condenser — 1st I. F. secondary	04000-M	.10	●	Electrolytic Condenser (6 Mfd.) (50-60 cycles) single speaker	4916	1.05
㉒	Resistor (1,000,000 ohms)	4409	.12	●	8 Mfd. Twin speaker	6706	.90
㉓	Resistor (1,000 ohms)	5837	.12	●	Resistor (5,000 ohms)	5310	.12
㉓	Compensating Condenser—2nd I. F. primary	04000-M	.10	●	Resistor (5,000 ohms)	5310	.12
㉓	Second I. F. Transformer	04319	.45	●	Resistor (13,000 ohms)	6450	.21
㉔	Resistor (99,000 ohms)	4411	.12	●	Tube Shield (small)	5387	.03
㉔	Volume Control	6499	.48	●	Tube Shield (large)	04735	.24
㉔	Compensating Condenser—2nd I. F. secondary	04000-M	.10	●	Knob (large)	03063	.06
㉔	Condenser (110 Mmf.) (Blue and Golden Yellow)	4519	.11	●	Knob (medium)	03064	.04
㉔	Condenser (110 Mmf.) (Blue and Golden Yellow)	4519	.11	●	Knob (small)	03437	.02
㉔	Condenser (.01 Mfd.)	3903-J	.12	●	Knob Spring (large)	5262	per C .21
㉔	Resistor (1,000,000 ohms)	4409	.12	●	Knob Spring (small)	4147	.01
㉔	Resistor (70,000 ohms)	5385	.12	●	Grid Clip	4897	per C .18
㉔	Resistor (25,000 ohms) Single Speaker	4516	.12	●	Four Prong Socket Assembly	5026	per C .05
㉔	Resistor (51,000 ohms) Twin Speaker Models	4518	.12	●	Five Prong Socket Assembly	4956	.05
㉔	Condenser (.01 Mfd.)	3903-N	.10	●	Six Prong Socket Assembly	6417	.06
㉔	Resistor (490,000 ohms)	4517	.12	●	Dial Complete	03031	.36
㉔	Condenser (.01 Mfd.)	3903-AA	.09	●	Bezel	6435	.09
㉔	Tone Control	04757	.21	●	Chassis Mounting Screw	W-468	per C 2.10
㉔	Output Transformer — single speaker models	2580	.75	●	Mounting Washer	W-315	per C .24
㉔	Voice Coil and Cone assembly.	02823	.27	●	Rubber Washer	5189	per C 1.80
				●	Mounting Clamp	6440	.03
				●	Cone Retaining Ring	2600	per C .27

Philco Model 76



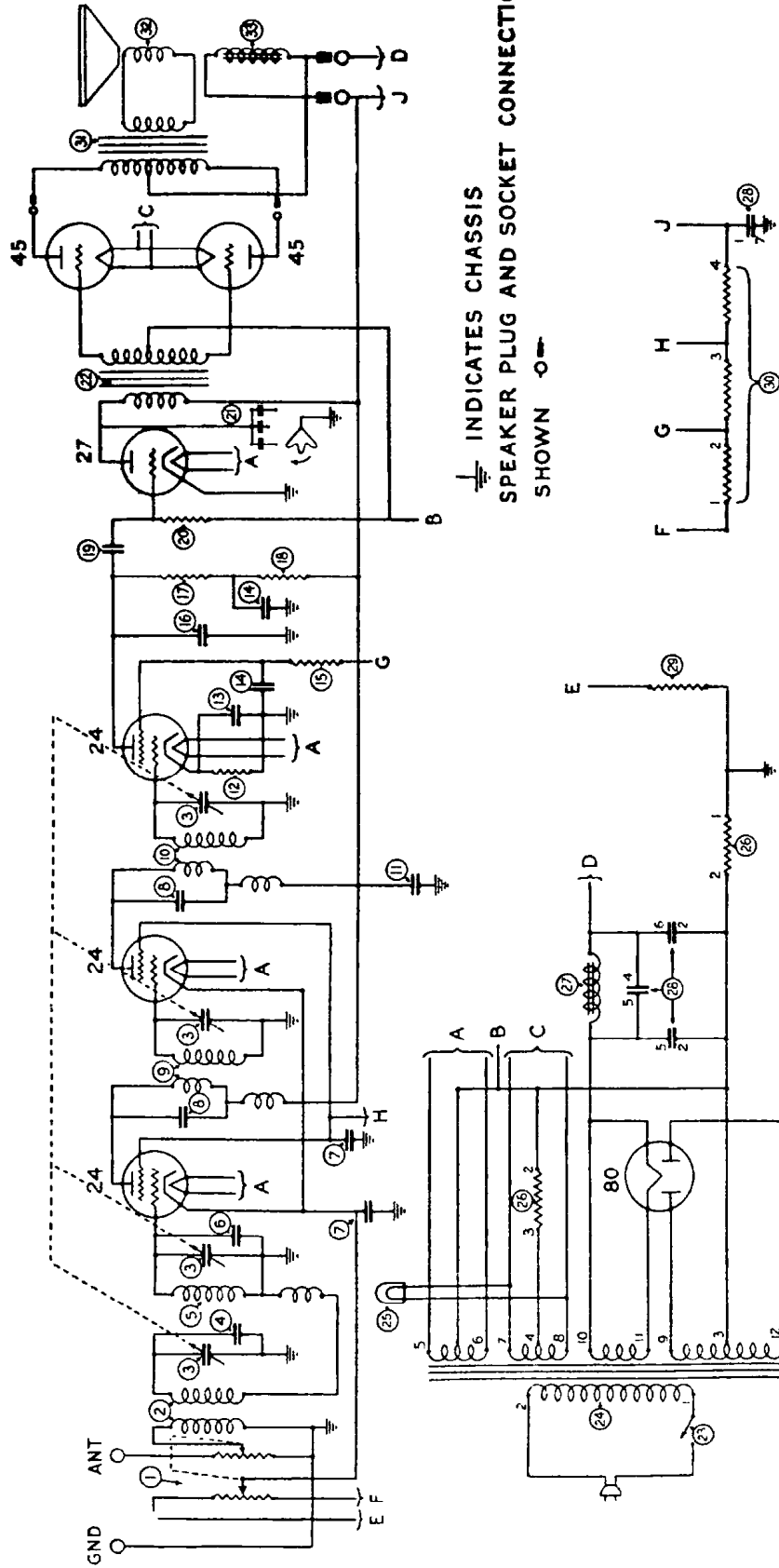
Philco Model 76



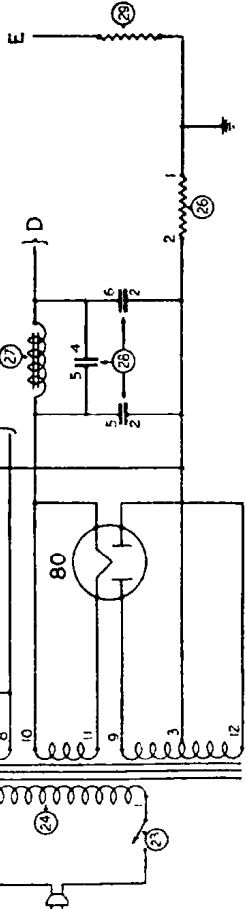
Replacement Parts for Model 76

		DEALER NET PRICE			DEALER NET PRICE		
	PART No.			PART No.			
①	Local-Distance Switch	3675	.33	②①	Resistor	3767	.12
②	Resistor	3777	.10	②②	Condenser	3897-A	.24
③	Resistor	3526	.12	②③	Resistor	3769	.12
④	1st R. F. Transformer	3884-A	.45	②④	Push-Pull Input Transformer	3872	1.80
⑤	Tuning Condenser	3376-E	6.00	②⑤	Push-Pull Output Transformer	2848	1.20
⑥	Compensating Condenser	3772-A	.08	②⑥	Speaker Cone and Voice Coil	2814-B	.90
⑦	2d R. F. Transformer	3884-B	.33	②⑦	Speaker Field Coil	2850	1.95
⑧	Condenser	3557	.27	②⑧	Resistor	3865	.60
⑨	Condenser	3892-A	.09	②⑨	Resistor	3867	.12
⑩	3d R. F. Transformer	3884-C	.48	②⑩	Resistor	3864	.36
⑪	Condenser	3892-A	.09	②⑪	Volume Control	3879	.39
⑫	4th R. F. Transformer	3884-C	.48	③①	B Filter Condenser	3870	3.75
⑬	Condenser	3584-B	.15	③②	Pilot Lamp	3463	.09
⑭	Resistor	3767	.12	③③	Power Transformer	3868	4.20
⑮	Condenser	3583	.24	③④	On-Off Switch	3517	.36
⑯	Condenser	3557	.27	③⑤	B Filter Choke	3422	1.50
⑰	Resistor	3768	.12		Oscillator Kit	3540	3.00
⑱	Condenser	3082	.12		Cabinet Touch-up Kit	3809	10.00
⑲	Resistor	3769	.12				

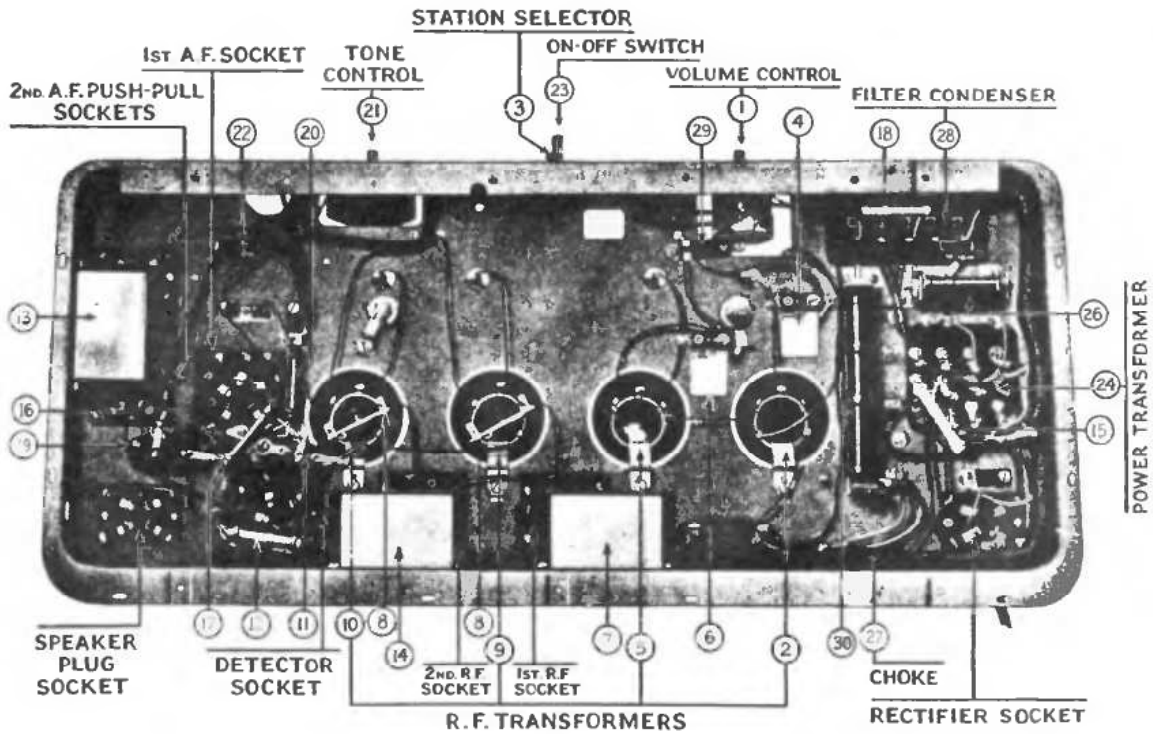
Philco Model 77



⊥ INDICATES CHASSIS
 ○→ SPEAKER PLUG AND SOCKET CONNECTIONS
 SHOWN ○→



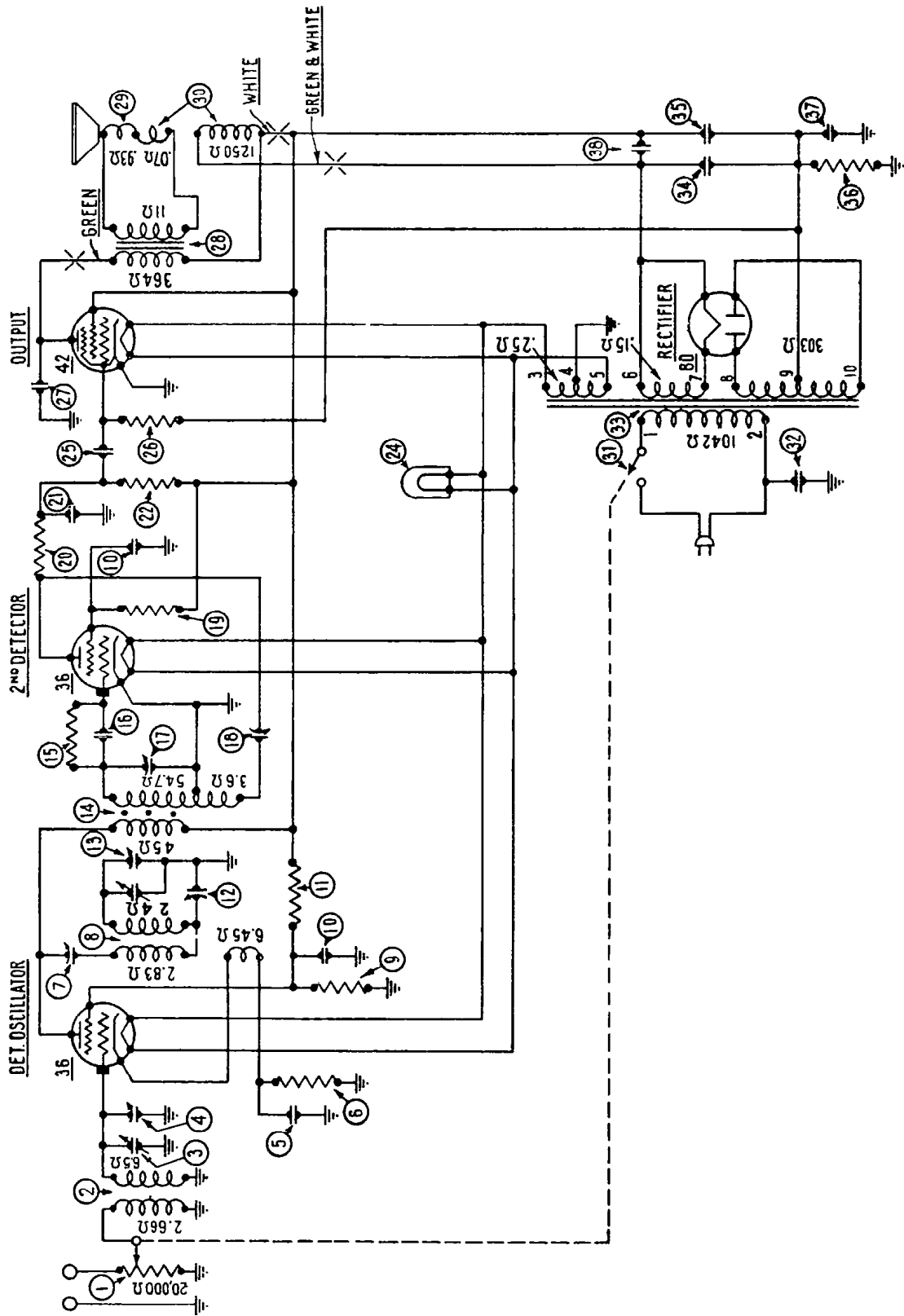
Philco Model 77



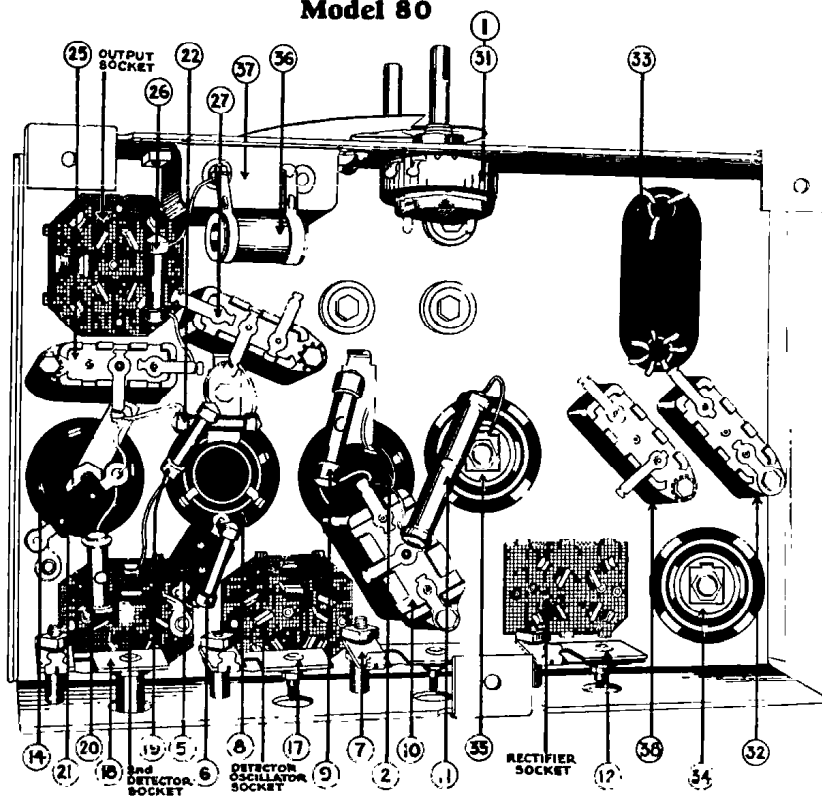
Replacement Parts for Model 77

No.	Description	Part No.	DEALER NET PRICE	No.	Description	Part No.	DEALER NET PRICE
①	Volume Control	4094	.75	②②	Input Transformer	3872	1.80
②	First RF Transformer	3884-A	.45	③②	On-Off Switch	4095	.30
②	Tuning Condenser	4000-B	6.00	②④	Power Transformer (60 Cycles)	3868	4.20
④	First Compensating Condenser	3968-A	.12		Power Transformer (25 Cycles)	3869	8.70
⑥	Second RF Transformer	3884-B	.33	②⑥	Pilot Lamp	3463	.09
⑥	Second Compensating Condenser	3772-A	.08	②⑥	BC Resistor	3864	.36
⑦	By-Pass Condenser	3557	.27	②⑦	Choke	3422	1.50
⑧	Coupling Condenser	3892-A	.09	②⑧	Filter Condenser (60 Cycles)	3870	3.75
⑨	Third RF Transformer	3884-C	.48		Filter Condenser (25 Cycles)	3871	6.90
⑩	Fourth RF Transformer	3884-C	.48	②⑨	C Resistor	4121	.80
⑪	By-Pass Condenser	3615-D	.11	⑩	BC Resistor	3865	.60
⑫	Resistor	3767	.12	⑩	Output Transformer	2848	1.20
⑫	By-Pass Condenser	3583	.24	⑩	Voice Coil and Cone	2794-B	.60
⑭	By-Pass Condenser	3557	.27	⑩	Field Coil	2850	1.95
⑮	Resistor	3768	.12		Knob (Volume Control)	3579-A	.04
⑮	By-Pass Condenser	3082	.12		Knob (Tuning Condenser)	3580-A	.07
⑰	Resistor	3769	.12		Knob (On-Off Switch)	3676-A	.05
⑰	Resistor	3767	.12		Dial Indicator	4006	.05
⑰	Resistor	3769	.12		Scale	4118	.18
⑰	Condenser	3903-F	.09		Speaker Plug and Cable (Short)	L-1101-A	.36
⑰	Resistor	3769	.12		Speaker Plug and Cable (Long)	L-1102-A	.72
⑰	Tone Control	4037-A	.39				

Model 80



Model 80

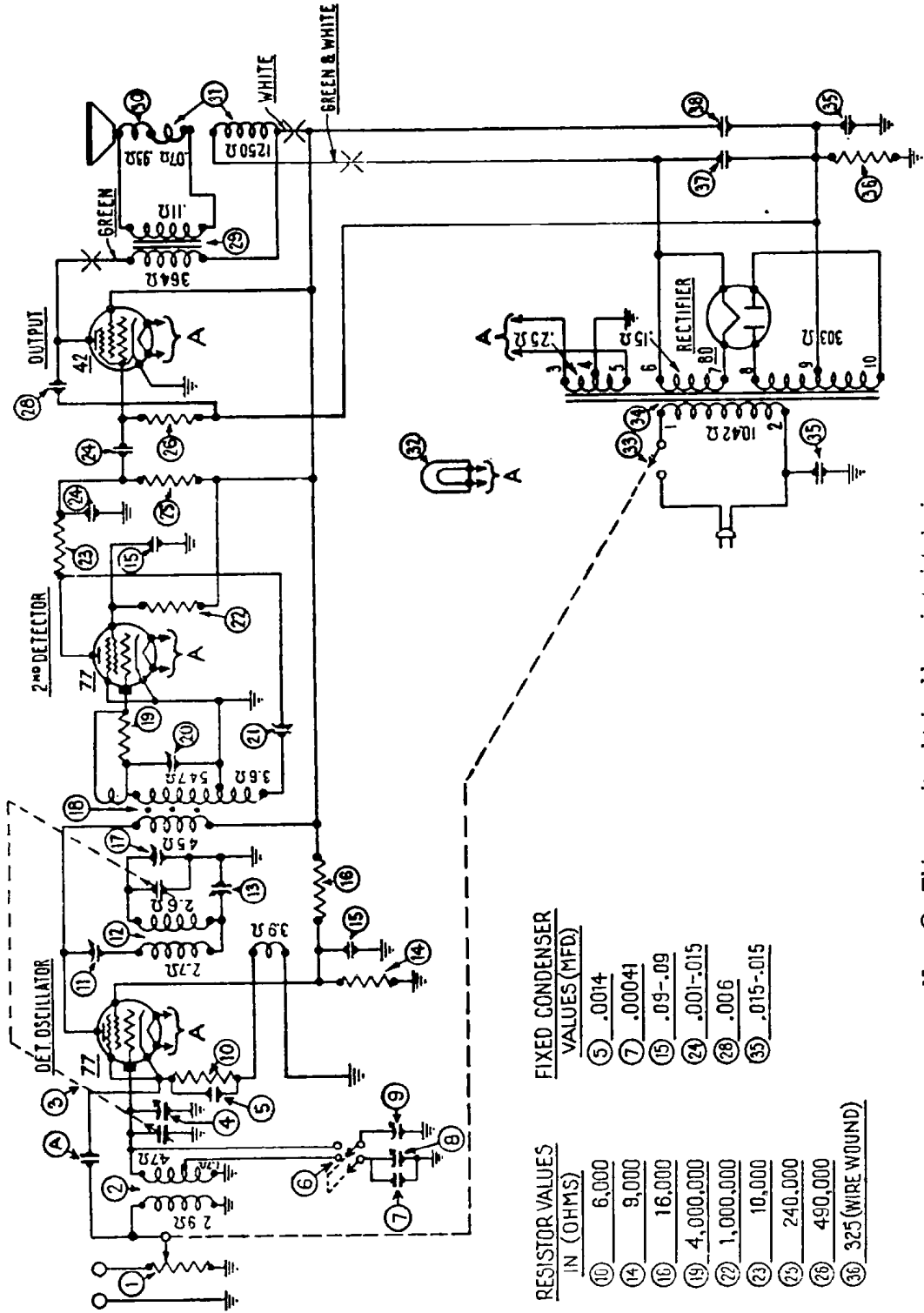


REPLACEMENT PARTS MODEL 80

No. on Figs. 2 and 3	Description	Part No.	NET PRICE	No. on Figs. 2 and 3	Description	Part No.	NET PRICE
①	Volume Control—Combined with On-Off Switch	7439	.51	③②	Condenser (.015 Mfd.)	3793-B	.10
②	Antenna Transformer	05831	.24	③③	Resistor (490,000 Ohms)	4517*	.12
③	Tuning Condenser Assembly	05794	1.50	③④	Condenser (.006 Mfd.)	7625-B*	.08
④	Compensating Condenser—Antenna—Part of Tuning Con. Assembly			③⑤	Output Transformer	2660	.76
⑥	Condenser (710 Mmf.) White and Yellow	4520	.12	③⑥	Voice Coil and Cone Assembly	02861	.36
⑦	Resistor (10,000 Ohms)	4412	.12	③⑦	Speaker Field and Bucking (Coil Assembled with Pot)	02677*	1.05
⑧	Compensating Condenser—I.F. Primary	04000-A	.08	③⑧	On-Off Switch—Combined with Volume Control	7439	.51
⑨	Oscillator Coil	05832	.39	③⑨	Condenser (.01 Mfd.)	3903-AH*	.09
⑩	Resistor (9,000 Ohms)	7501	.12	③⑩	Power Transformer 50-60 Cycles	7421	1.65
⑪	Condenser (.09 Twin)	4989-B	.14	③⑪	Power Transformer 25-40 Cycles	7422	2.40
⑫	Resistor (16,000 Ohms)	7500	.24	③⑫	Power Transformer 50-60 Cycles, 230 Volts	7423	1.65
⑬	Compensating Condenser Low Frequency:	04000-S	.15	③⑬	Electrolytic Condenser (8.0 Mfd.)	6707	.90
⑭	Compensating Condenser—High Frequency—Part of Tuning Con. Assembly			③⑭	Electrolytic Condenser (4.0 Mfd.)	7467	.75
⑮	I.F. Transformer	05834	.75	③⑮	Resistor (325 Ohms) Wire Wound	7465*	.08
⑯	Resistor (4,000,000 Ohms) Mounted on I.F. Transformer	6010	.12	③⑯	Electrolytic Condenser—Dry—(10 Mfd.)	7440*	.45
⑰	Condenser (50 Mmf.) White—Mounted on I.F. Transformer	3774	.12	③⑰	Condenser (.01 Mfd.)	3903-AJ*	.09
⑱	Compensating Condenser—I.F. Secondary	04000-D	.06	③⑱	Bezel	7417	.05
⑲	Compensating Condenser	04000	.10	③⑳	Dial Complete	05828	.12
⑳	Resistor (1,000,000 Ohms)	4409*	.12	③㉑	Tube Shield	7172	.08
㉑	Resistor (10,000 Ohms)	4412	.12	③㉒	Knob (Large)	03063	.05
㉒	Condenser (1,000 Mmf.) (Green and White)	5215	.12	③㉓	Knob (Small)	03064	.04
㉓	Resistor (240,000 Ohms)	4410	.12	③㉔	Knob Spring	5262	per C .21
㉔	Pilot Light	6608	.09	③㉕	Grid Clip	4897	per C .18
				③㉖	Four Prong Socket Assembly	5026	.05
				③㉗	Five Prong Socket Assembly	4956	.06
				③㉘	Six Prong Socket Assembly	6417	.06
				③㉙	Chassis Mounting Screw	W-567	per C 1.44
				③㉚	Chassis Mounting Washer	W-315	per C .24
				③㉛	Rubber Washer	5189	per C 1.80
				③㉜	Pilot Lamp Shield	5760	per C .24

* A number of circuit changes were made on chassis of run No. 5 and above. This run number is rubber stamped in a star on the back of the chassis. Referring to Figs 2 and 3, the condenser ③⑦ connects to the B- end of resistor ③③ instead of to ground. The bucking coil - that section of ③⑦ in series with the voice coil - is shorted out. The 10 mfd. dry electrolytic condenser ③⑯ is eliminated, and replaced with a substitute .015 section combined with ③⑳, part 3793R. The .01 mfd. condenser ③⑰ is eliminated. The positions of ③⑱ (③⑱) and ③⑲ are changed in the chassis from that shown in Fig. 3.

Model 81



RESISTOR VALUES
IN (OHMS)

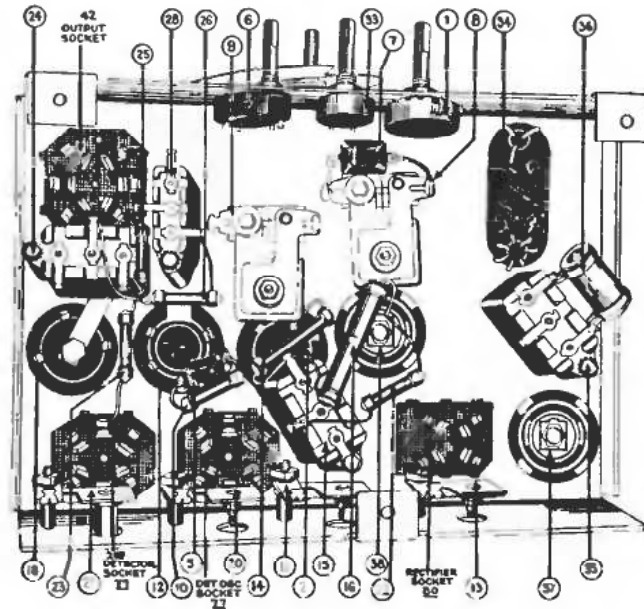
10	6,000
14	9,000
16	16,000
19	4,000,000
22	1,000,000
23	10,000
25	240,000
26	490,000
30	325 (WIRE WOUND)

FIXED CONDENSER
VALUES (MFD)

5	.0014
7	.00041
15	.09-.09
24	.001-.015
28	.006
35	.015-.015

Note ①—This capacity obtained by pair twisted wires.

MODEL 81

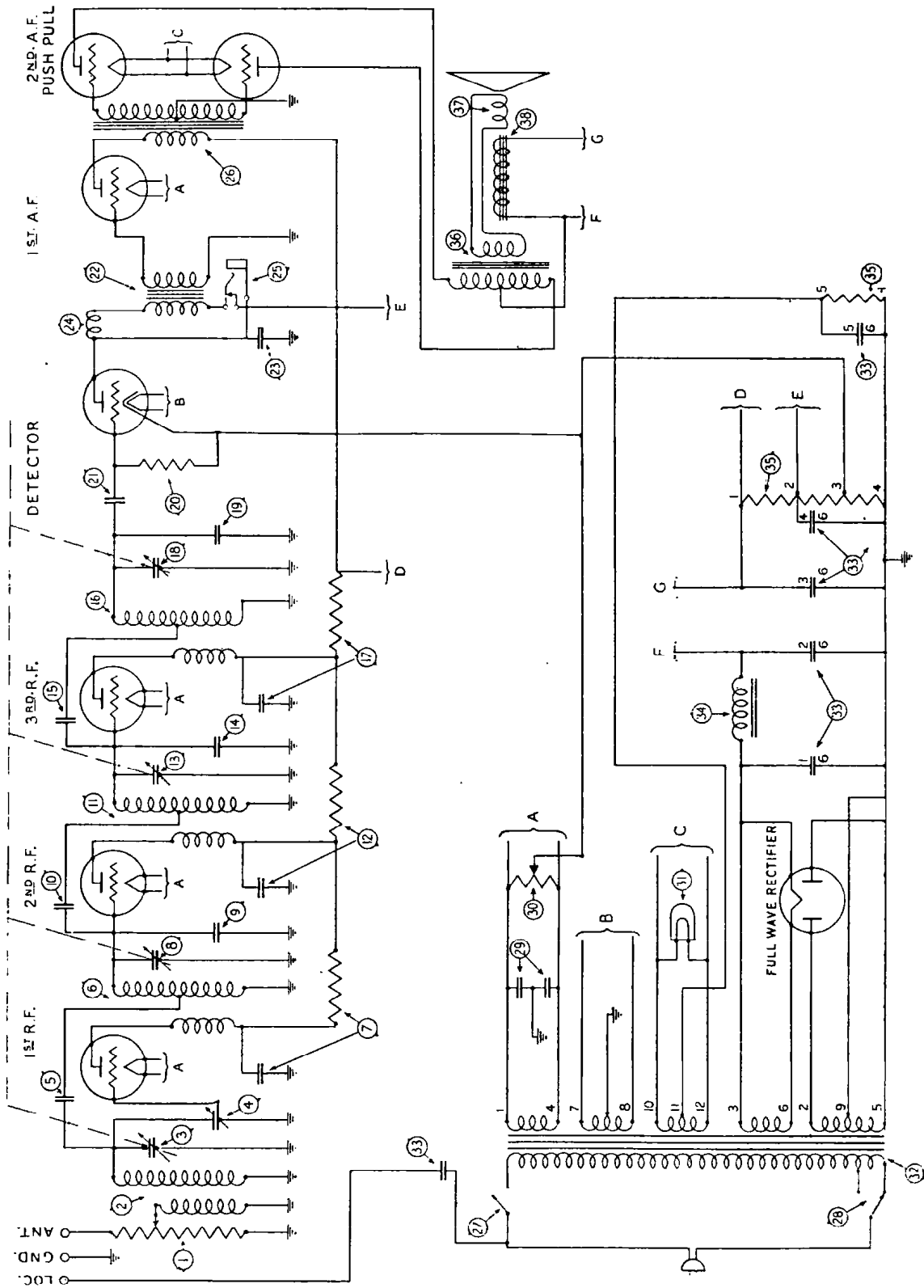


REPLACEMENT PARTS MODEL 81

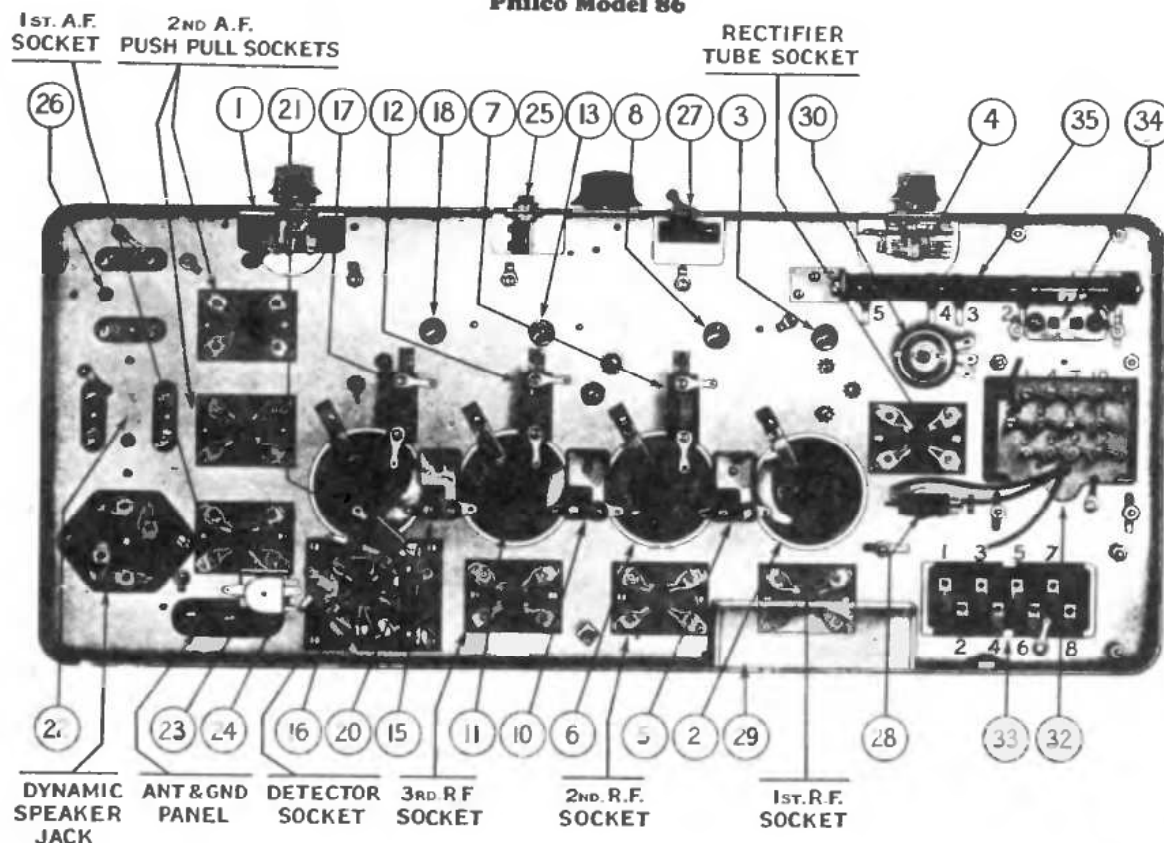
No. on Figs.	Description	Part No.	NET PRICE	No. on Figs.	Description	Part No.	DEALER NET PRICE
①	Volume Control*	33-5002	.45	②①	Resistor (Yellow-White-Yellow)	4517	.12
②	Antenna Transformer	32-1030	.30	②②	Condenser	7625-B	.08
③	Tuning Cond. Assembly	31-1006		②③	Output Transformer	2660	.75
④	Compensating Condenser (Part of ③)			②④	Voice Coil and Cone Assembly	02861	.36
⑤	Cond. (Red and Black)	7007	.15	②⑤	Speaker Field and Bucking Coil (with Pot)	02667	1.20
⑥	Frequency Switch	42-1000	.39	②⑥	Pilot Light	6608	.09
⑦	Cond. (Orange and Yellow)	30-1000	.12	②⑦	"On-Off" Switch*	6416-W	.24
⑧	Compensating Condenser	04000-S	.15	②⑧	Power Transformer—50-60 Cycles	7421	1.65
⑨	Compensating Condenser	04000-X	.10	②⑨	Power Transformer—25-40 Cycles	7422	2.40
⑩	Resistor (Blue-Black-Red)	7352	.10	②⑩	Power Transformer—50-60 Cycles, 250 Volts	7423	1.65
⑪	Compensating Condenser (I.F. Primary)	04000-A	.08	②⑪	Condenser (Double)	3793-R	.15
⑫	Oscillator Coil	32-1031	.45	②⑫	Resistor (Wire Wound)	7365	.08
⑬	Compensating Condenser (Low Frequency)	04000-S	.15	②⑬	Electrolytic Condenser (8 Mfd.)	7558	.75
⑭	Resistor (White-Black-Red)	7501	.12	②⑭	Electrolytic Condenser (4 Mfd.)	7467	.75
⑮	Condenser	4989-B	.14	②⑮	Bezel	7417	.05
⑯	Resistor (Brown-Blue-Orange)	7500	.24	②⑯	Tube Shield	7172	.05
⑰	Compensating Condenser (Part of ⑯)			②⑰	Knob (Large)	03063	.04
⑱	I.F. Transformer	06100	.75	②⑱	Knob (Small)	03064	.04
⑲	Resistor (Mounted on I.F. Transformer)	6010	.12	②⑳	Knob Spring	5262	per C .21
⑳	Compensating Condenser (I.F. Secondary)	04000-D	.06	③	Grid Clip	4897	per C .18
㉑	Compensating Condenser	04000	.10	③	Four Prong Socket Assembly	5026	.06
㉒	Resistor (Brown-Black-Green)	4409	.12	③	Six Prong Socket Assembly	6417	.06
㉓	Resistor (Brown-Black-Orange)	4412	.12	③	Chassis Mounting Screw	W-567	per C 1.44
㉔	Condenser (Double)	7762-B	.12	③	Chassis Mounting Washer	W-315	per C .24
㉕	Resistor (Red-Yellow-Yellow)	4410	.12	③	Pilot Lamp Shield	5760	

*On later production (rtn No. 3 and above, rubber stamped in a star on back of chassis) volume control ① and on-off switch ②⑦ was combined. This new volume control and on-off switch is Part Number 7439.

Philco Model 86



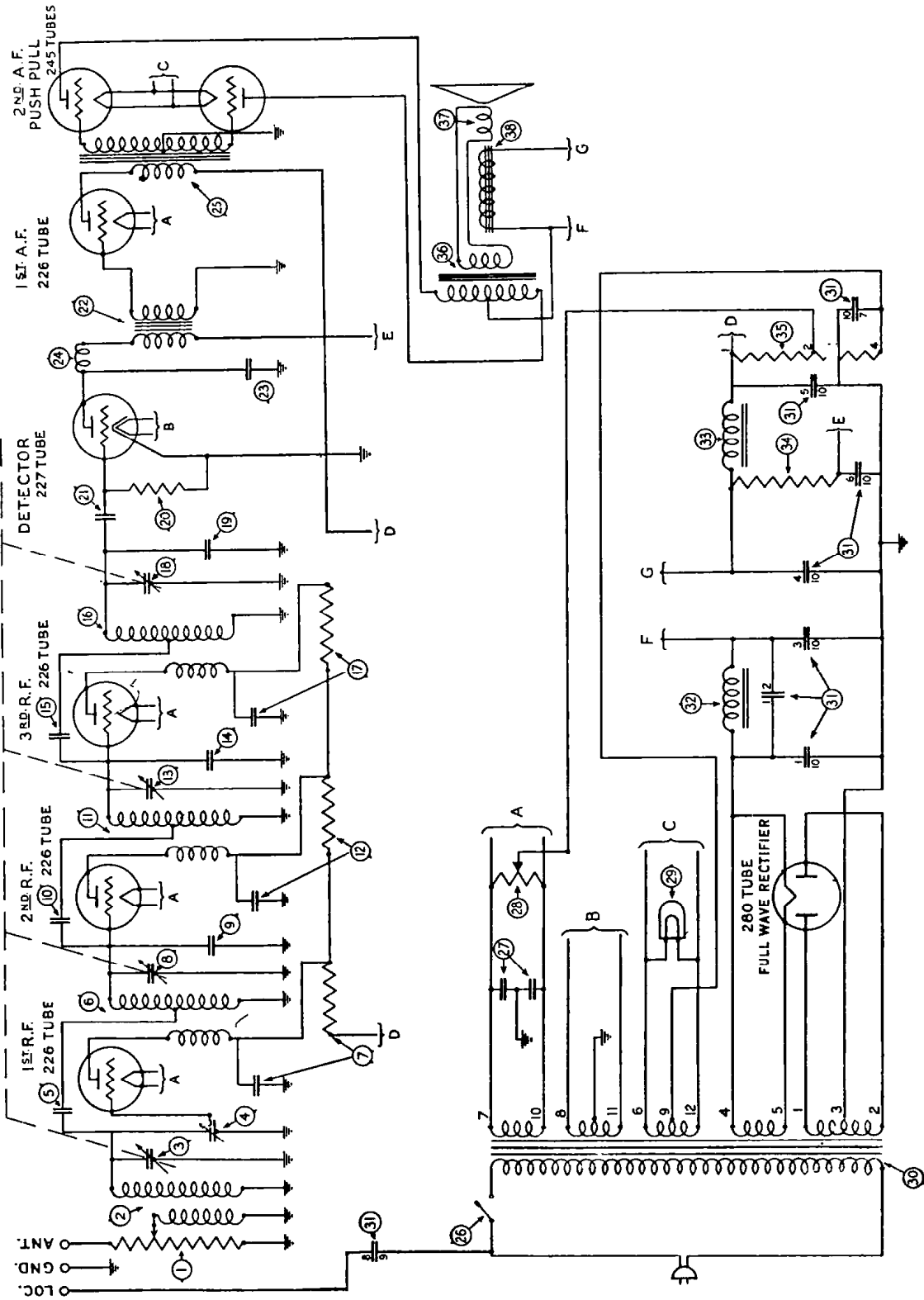
Philco Model 86



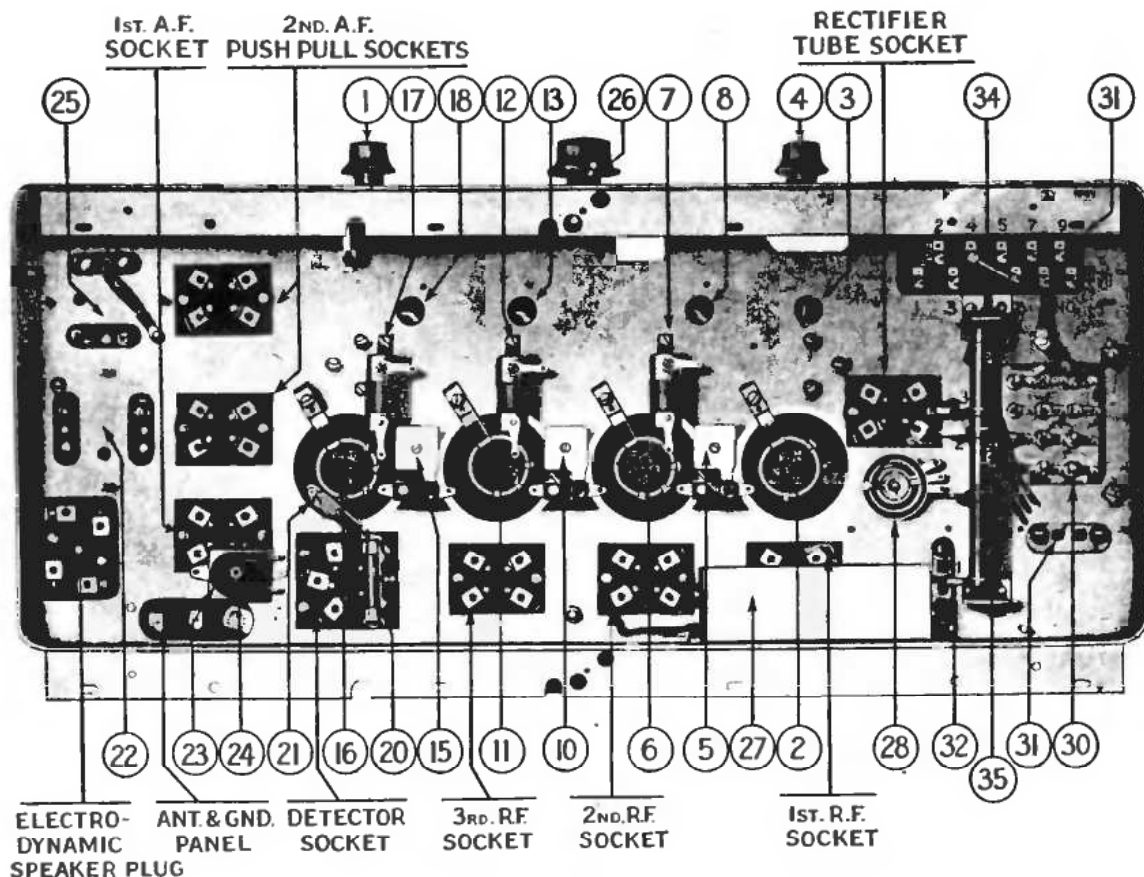
Replacement Parts for Model 86

PART NAME		DEALER PART NO.	DEALER NET PRICE	DEALER NET PRICE
1	Volume Control	3076	.84	2871-A .60
2	R. F. Transformer (Antenna Tuning)	3075-B	.60	2898 .33
3	Tuning Condenser (complete with drum and scale)	3001-B	8.10	2896 6.00
4	Range Control	3133		3012 .03
5	Neutralizing Condenser	3025-A	.18	3035-A .12
6	R. F. Transformer	3075-A	.60	3036-A .09
7	By-Pass Condenser (.1 mfd. with Plate Resistor Winding)	3292-A	.30	3051-A .18
8	Compensating Condensers	3282-A	.12	3054-A .24
9	Grid Leak	3083	.15	3103 .02
10	Grid Condenser	3082	.12	3104 .09
11	Audio Transformer	3241	1.65	3169-A .18
12	By-Pass Condenser (.001 mfd.)	3081	.15	3170-A .18
13	Detector R. F. Choke	3256-A	.15	3202-A .27
14	Phonograph Pick-Up Jack	3087	.24	3231 .06
15	Push-Pull Input Transformer	3242	1.65	3236-A .60
16	Power-Toggle Switch	3253	.24	3247-A .21
17	Primary Tap Switch	3116	.30	3263-A .75
18	Filament By-Pass Condenser (2 sections .5 mfd.)	3080	.90	3272 .04
19	6-Ohm Hum Adjuster	3096	.27	A.C. Attachment Cord and Plug L-943-A .30
20	Pilot Lamp	3105	.18	Wiring Cable L-1037 .30
21	Power Transformer (60 cycle)	3271	4.20	Speaker Cable L-1039 .30
22	Filter Condenser Block (60 cycle)	3246	9.00	Socket Wrench for Speaker Mounting Bolts 3312 1.20
23	Filter Choke Coil	3269	2.25	
24	R-C Section Resistor	3282	.96	
25	Push-Pull Output Transformer	2897	2.25	
26	Speaker Plug			2871-A .60
27	Speaker Cone and Voice Coil			2898 .33
28	Speaker Field Coil			2896 6.00
29	Cable Spring			3012 .03
30	Control Knob Tuning Condenser			3035-A .12
31	Control Knob (Volume and Range Control)			3036-A .09
32	226 Tube Socket			3051-A .18
33	Condenser Drive Cable			3054-A .24
34	Knob Spring			3103 .02
35	Fibre Adjusting Wrench			3104 .09
	280 Tube Socket			3169-A .18
	171 Tube Socket			3170-A .18
	Pilot Lamp Socket Assembly			3202-A .27
	Jack Insulator Nut			3231 .06
	Terminal Panel Assembly			3236-A .60
	Speaker Socket			3247-A .21
	227 Tube Socket, Spring Type			3263-A .75
	Jack Insulator			3272 .04
	A.C. Attachment Cord and Plug			L-943-A .30
	Wiring Cable			L-1037 .30
	Speaker Cable			L-1039 .30
	Socket Wrench for Speaker Mounting Bolts			3312 1.20
	<i>Note:—When ordering replacements for 25-cycle Receivers (Model 83) use the following part numbers instead of those given above. All other part numbers remain the same.</i>			
	Power Transformer (25 cycle)	3278	12.00	
	Filter Condenser Block (25 cycle)	3279	9.30	

Philco Model 87



Philco Model 87

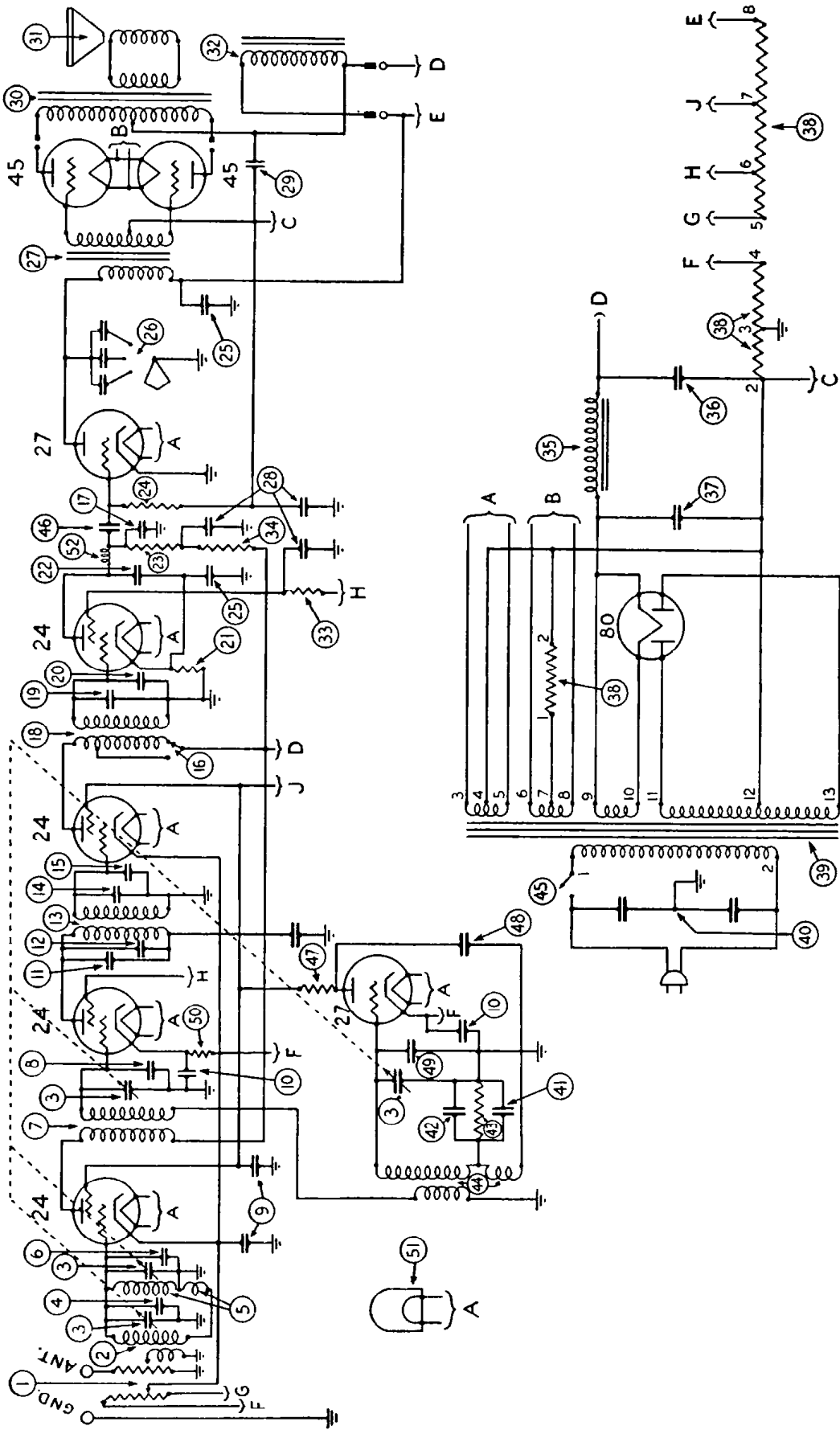


Replacement Parts for Model 87

PART NAME		PART NO.	DEALER NET PRICE	DEALER NET PRICE
①	Volume Control	3076	.84	
②	R. F. Transformer (Antenna Tuning)	3075-B	.60	
③ - ④ - ⑤ - ⑥	Tuning Condenser (Complete with Drum and Scale)	3001-B	8.10	
⑦	Range Control	3133		
⑧ - ⑨ - ⑩	Neutralizing Condenser	3441-A	.24	
⑪ - ⑫ - ⑬	R. F. Transformer	3075-A	.60	
⑭ - ⑮ - ⑯	By-Pass Condenser (.1 mfd. with Plate Resistor Winding)	3292-A	.30	
⑰	Compensating Condensers	3435-A	.12	
⑱	Grid Leak	3083	.15	
⑲	Grid Condenser	3082	.12	
⑳	Audio Transformer	3241	1.65	
㉑	By-Pass Condenser (.001 mfd.)	3081	.15	
㉒	Detector R. F. Choke	3256-A	.15	
㉓	Push-Pull Input Transformer	3242	1.65	
㉔	Power Toggle Switch	3501	.33	
㉕	Filament By-Pass Condenser (2 Sections 5 mfd.)	3080	.90	
㉖	6-Ohm Hum Adjustor	3096	.27	
㉗	Pilot Lamp	3463	.09	
㉘	Power Transformer	3400	4.20	
㉙	Filter Condenser Block	3401	7.60	
㉚	Filter Choke Coil (First)	3422	1.50	
㉛	Filter Choke Coil (Second)	3472	2.25	
㉜	Detector Resistor	3542	.12	
㉝	B-C Resistor	3399	.75	
㉞	Push-Pull Output Transformer	2848	1.20	
㉟	Speaker Cone and Voice Coil	2844-A	.76	
㊱	Speaker Field Coil	2850	1.96	
㊲	Speaker Plug	2871-A	.60	
	Cable Spring	3012	.03	
	Control Knob Tuning Condenser	3301	.08	
	Control Knob (Volume and Range Control)	3300	.05	
	Condenser Drive Cable	3484	per ft. .08 1/2	
	Knob Spring	3305	.02	
	Fibre Adjusting Wrench	3164	.09	
	4-Hole Tube Socket	3423-A	.12	
	Pilot Lamp Socket Assembly	3202-A	.27	
	Terminal Panel Assembly	3236-A	.60	
	Speaker Socket	3464-A	.21	
	5-Hole Tube Socket	3442-A	.15	
	A.C. Attachment Cord and Plug	L-943-A	.30	
	Speaker Cable	L-1056-A	.90	
	Socket Wrench for Speaker Mounting Bolts	3312	1.20	
	Tuning Scale	3398	.06	
	Oscillator Kit	3540	3.00	
	Wood Switch Plug	3627	.09	

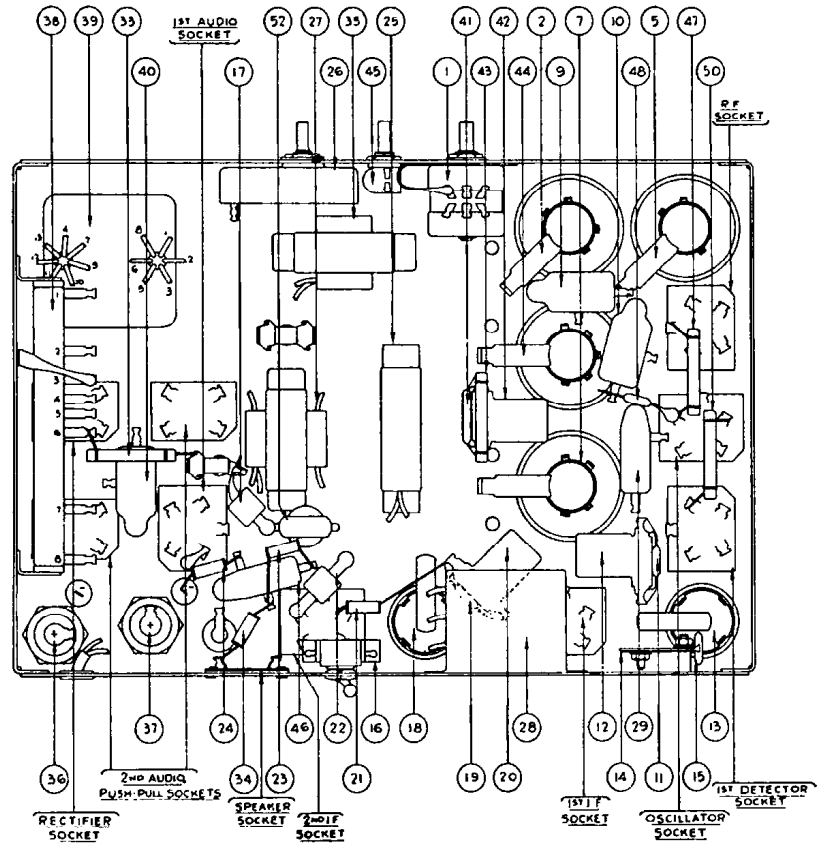
Models 90 and 90-A

WITH 2- TYPE 45 TUBES



Models 90 and 90-A

WITH 2- TYPE 45 TUBES

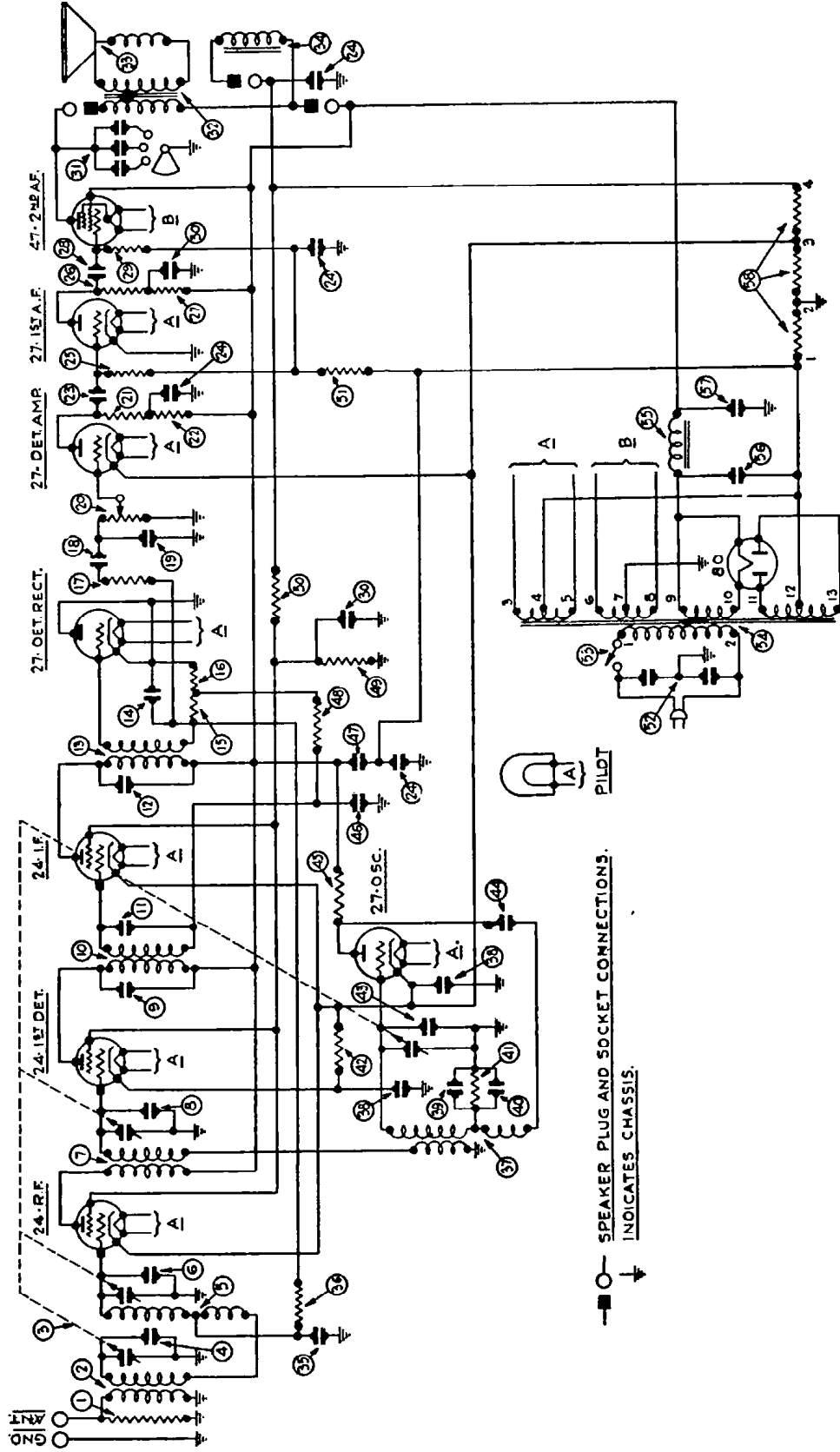


REPLACEMENT PARTS—MODELS 90 and 90-A RECEIVERS

No. on Figs. 3 and 4	Description	Part No.	NET PRICE	No. on Figs. 3 and 4	Description	Part No.	DEALER NET PRICE
①	Volume Control	5039	.90	④	Condenser .015 M. F. (Double)	3793-E	.12
②	1st R. F. Transformer	03013	.36	⑤	Condenser .0007 M. F. (Double)	03050	.21
③	Gang Condenser—50 to 60 cycles	03001	3.75	⑥	Compensating Condenser	Assembled	.30
④	Gang Condenser—25 to 40 cycles	03078	3.90	⑦	Resistor—50,000 Ohms	4237	.12
⑤	Compensating Condenser (Part of Tuning Condenser Assembly)			⑧	Oscillator Coil	03016	.30
⑥	2nd R. F. Transformer	03014	.24	⑨	On-Off Switch	4005	.30
⑦	Compensating Condenser (Part of Tuning Condenser Assembly)			⑩	Condenser .001 M. F.	5215	.12
⑧	1st Det. Transformer	03015	.30	⑪	Resistor—13,000 Ohms	3766	.12
⑨	Compensating Condenser (Part of Tuning Condenser Assembly)			⑫	Condenser .00011 M. F.	4519	.11
⑩	Condenser .09 M. F. (Double)	4989-C	.15	⑬	Compensating Condenser (Part of Tuning Condenser Assembly)		
⑪	Condenser .09 M. F. (Double)	4989-B	.14	⑭	Resistor—5,000 Ohms	3526	.12
⑫	Fixed Condenser .00011	Assembled	.15	⑮	Pilot Bulb	3463	.09
⑬	Compensating Condenser	3772-C	.14	⑯	R. F. Choke	03081	.21
⑭	1st I. F. Transformer	03009	.51	⑰	Line Cord and Plug	L-943	per ft. .02 1/2
⑮	Compensating Condenser	Assembled	.15	⑱	Tube Shield	03002	.16
⑯	Fixed Condenser .00011	Assembled	.15	⑲	Knob (large) Dial Control	4958-A	.04
⑰	Normal Maximum Switch	3116	.30	⑳	Spring (Dial Knobs)	4147	.01
⑱	Condenser (.000035 mf)	4990	.11	㉑	Knobs (small) Tone and Volume Control	4959-A	.03
⑲	2nd I. F. Transformer	03143	.60	㉒	Knob (switch)	4290-A	.03
⑳	Compensating Condenser	Assembled	.15	㉓	Grid Clip	4897	par C .18
㉑	Fixed Condenser .00011	Assembled	.15	㉔	Speaker Plug and Cable	L-1124-A	.24
㉒	Resistor—50,000 Ohms	4518	.12	㉕	Grommet for R. F. Transformer Shield	3747	.02
㉓	Condenser .00035	4990	.11	㉖	Rectifier Tube Socket	5028	.06
㉔	Resistor—250,000 Ohms	4410	.12	㉗	Four Prong Socket Assembly	4955	.06
㉕	Resistor—1,000,000 Ohms	4409	.12	㉘	Five Prong Socket Assembly	4956	.06
㉖	Condenser .5 M. F. (Double)	03024	.39	㉙	Speaker Socket	4957	.06
㉗	Tone Control	4037-A	.39	㉚	Volume Control Insulator	4092	.01
㉘	1st Audio Transformer	4952	1.65	㉛	Volume Control Insulator	4286	.01
㉙	Condensers 2—.25 M. F. and 1—.5 M. F.	03029	.60	㉜	Fahnstoeck Clip	L-1126	.01
㉚	Condenser .05 M. F.	3615-G	.10	㉝	Finishing Rosettes	4267	.02
㉛	Output Transformer:			㉞	Speaker Mounting Screws (3 used)	W-493	par C .24
H ₁ (For Large Cone Assembly)	2843	1.20		㉟	Speaker Mounting Screws (1 used)	W-483	par C .21
K ₁ (For Small Cone Assembly)	2766	1.20		Dial	5021	.22	
㉜	Voice Coil Assembly and Cone:			Mica for Gang Condenser Compensating	3473	.02	
H ₂ (Large Cone)	02997	.60		Insulating Washer for Compensating	3500	.01	
K ₂ (Small Cone)	02996	.46		Condenser	3914	.02	
㉝	Speaker Field—Assembled with Pot and Frame			Tuning Condenser Mounting Washer	3915	.02	
Resistor—250,000 Ohms	3768	.12		Tuning Condenser Mounting Washer	3916	.01	
Resistor—250,000 Ohms	4110	.12		Spring for Tuning Condenser	4255	.02	
Filter Choke	4951	.90		Bezel	5009	.12	
Condenser 6 M. F. Electrolytic Type (50-60 cycles)	4918	1.06		Complete Pilot Bracket	03081-A	.20	
Condenser 10 M. F. Electrolytic Type (25-40 cycles)	5142	1.20		Dial Disc	4925	.03	
Condenser 6 M. F. Electrolytic Type (25-40) and (60-60) cycles	4916	1.06		Light Shield Screen	4937	.02	
B. C. Resistor	4953	.33		Friction Drive Bracket	4930	.01	
Power Transformer (50 to 60 cycles)	4938	4.20		Brass Collar for Friction Drive	4935	.03	
Power Transformer (25 to 40 cycles)	4939	6.60		Shaft	4931	.30	

Models 90 and 90-A

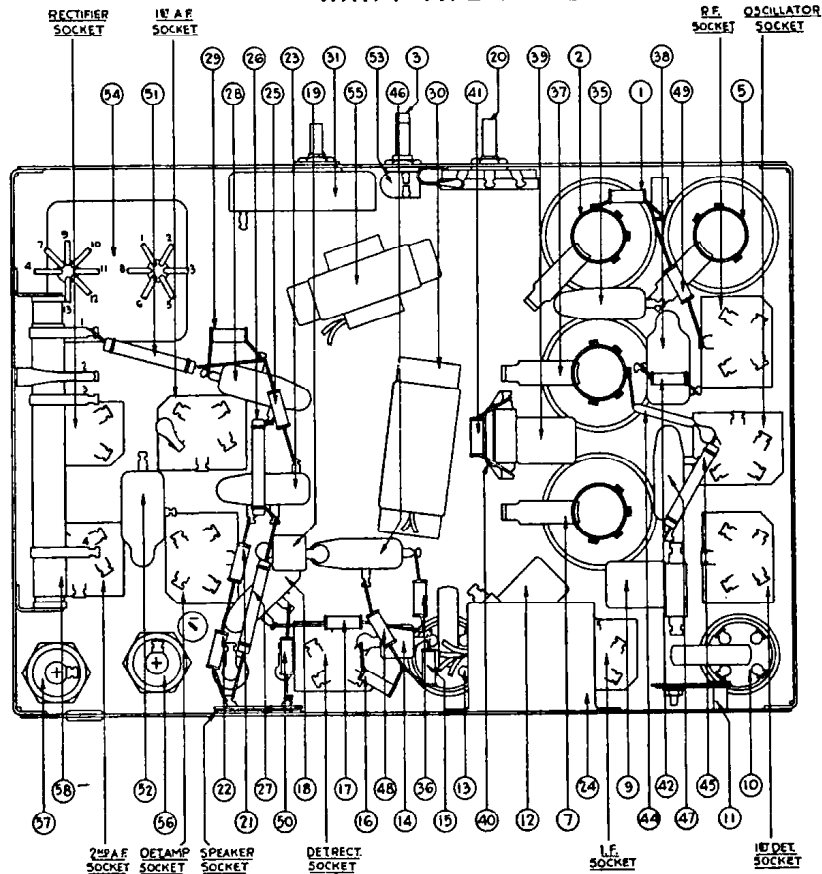
ABOVE SERIAL NO. 237,001
WITH I-TYPE 47 TUBE



Models 90 and 90-A

ABOVE SERIAL No. 237.001

WITH 1- TYPE 47 TUBE



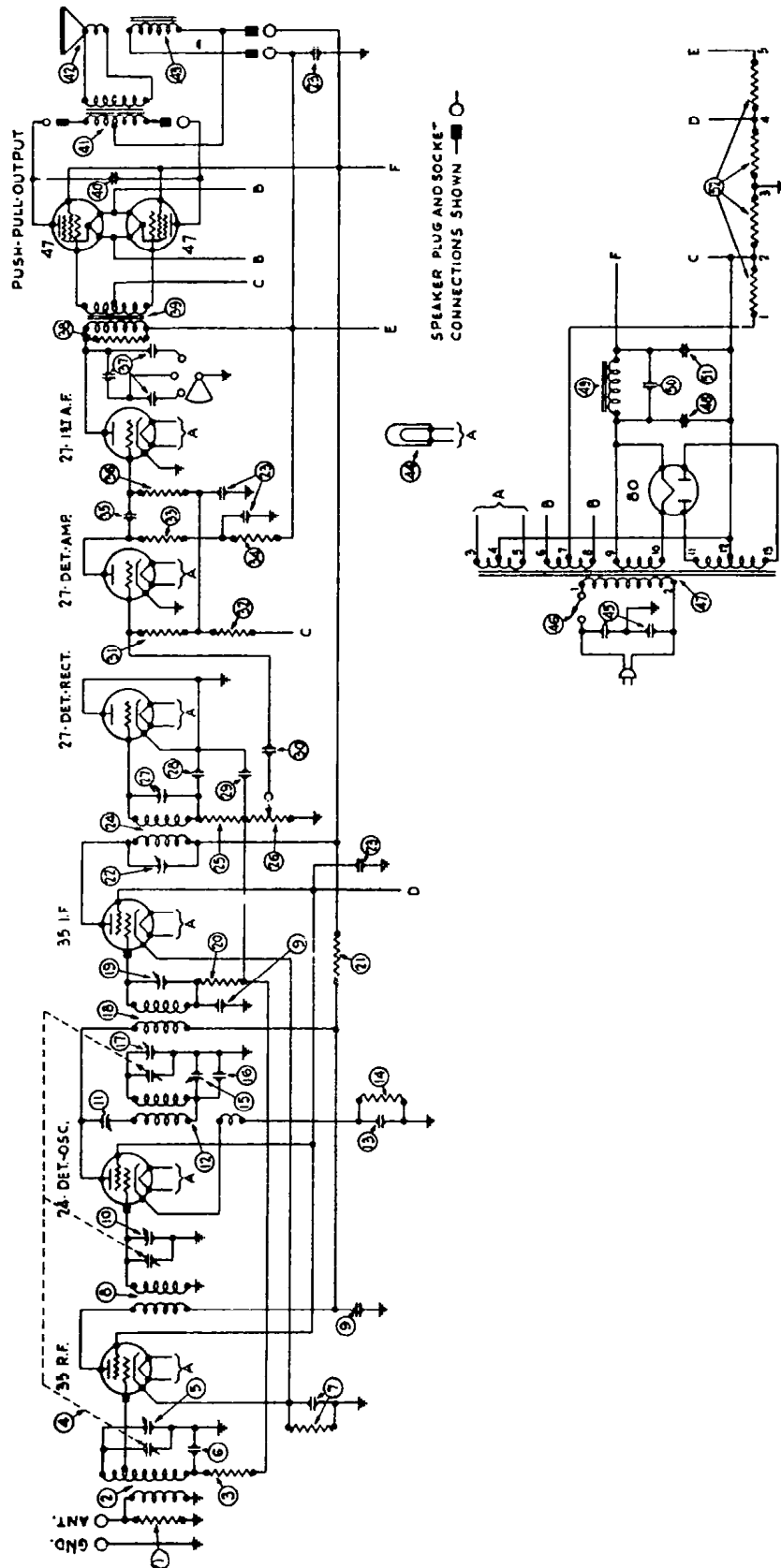
REPLACEMENT PARTS—MODELS 90 and 90-A RECEIVERS

(Above Serial No. 237,001)

No. on Figs. 3 and 4	Description	Part No.	NET PRICE	No. on Figs. 3 and 4	Description	Part No.	NET PRICE	DEALER NET PRICE
①	Resistor (10,000 ohms)	4412	.12	③	By-Pass Condenser (.09 mfd.) double	4989-G	.15	
②	First R. F. Transformer	03360	.33	④	Compensating Condenser } Assembled	03050	.21	
③	Gang Condenser (50-60 cycles)	03001	3.75	⑤	Condenser (.0007 mfd.)			
④	Gang Condenser (25-40 cycles)	03078	3.90	⑥	Resistor (51,000 ohms)	4518	.12	
⑤	Compensating Condenser (part of gang condenser assembly)			⑦	Resistor (5,000 ohms)	5310	.12	
⑥	Second R. F. Transformer	03014	.24	⑧	Compensating Condenser (part of tuning condenser assembly)			
⑦	Compensating Condenser (part of gang condenser assembly)			⑨	Condenser (110 mmf.)	4519	.11	
⑧	First Detector Transformer	03015	.30	⑩	Resistor (51,000 ohms)	4237	.12	
⑨	Compensating Condenser (part of gang condenser assembly)			⑪	By-Pass Condenser (.05 mfd.)	3615-U	.10	
⑩	Compensating Condenser (First I. F. Primary)	03315	.12	⑫	By-Pass Condenser (.05 mfd.)	3615-E	.12	
⑪	First I. F. Transformer	03009	.51	⑬	Resistor (490,000 ohms)	4517	.12	
⑫	Compensating Condenser (First I. F. Secondary)	03315	.12	⑭	Resistor (70,000 ohms)	5385	.12	
⑬	Compensating Condenser (Second I. F. Primary)	03317	.12	⑮	Resistor (25,000 ohms)	4516	.12	
⑭	Second I. F. Transformer	03345	.45	⑯	Resistor (240,000 ohms)	3768	.12	
⑮	Condenser (110 mmf.)	4519	.11	⑰	Condenser (.015 mfd.) double	3793-E	.30	
⑯	Resistor (51,000 ohms)	4518	.12	⑱	On-Off Switch	4095	3.75	
⑰	Resistor (51,000 ohms)	4518	.12	⑲	Power Transformer (50-60 cycles)	5362	6.00	
⑱	Resistor (99,000 ohms)	4411	.12	⑳	Power Transformer (25-40 cycles)	5363		
⑲	By-Pass Condenser (.01 mfd.)	3903-M	.10	㉑	Power Transformer (50-60 cycles, 220 volts)	5364	4.20	
⑳	Condenser (.00025 mfd.)	3083	.12	㉒	Choke	4951	.90	
㉑	Volume Control	5366	.66	㉓	Condenser (6 mfd.) Electrolytic type (50-60 cycles)	4916	1.05	
㉒	Resistor (51,000 ohms)	4518	.12	㉔	Condenser (10 mfd.) Electrolytic type (25-40 cycles)	5142	1.20	
㉓	Resistor (70,000 ohms)	5385	.12	㉕	Condenser (6 mfd.) Electrolytic type (50-60 cycles)	4915	1.05	
㉔	By-Pass Condenser (.01 mfd.)	3903-M	.10	㉖	Condenser (10 mfd.) Electrolytic type (25-40 cycles)	5142	1.20	
㉕	Condenser (1-1 mfd., 1-13 mfd., 2-25 mfd.)	03325	.39	㉗	B. C. Resistor	5365	.24	
㉖	Resistor (240,000 ohms)	4410	.12	㉘	Line Cord and Plug	L-943	per ft.	
㉗	Resistor (25,000 ohms)	3656	.12	㉙	Tube Shield (Large)	03373	.18	
㉘	Resistor (25,000 ohms)	3656	.12	㉚	Tube shield (27 type)	5387	.03	
㉙	By-Pass Condenser (.01 mfd.)	3903-P	.12	㉛	Pilot Bulb	2463	.09	
㉚	Resistor (240,000 ohms)	4410	.12	㉜	Pilot Bracket Complete	03081-A	.20	
㉛	Condenser (.25 mfd., 1 mfd.)	03327	.60	㉝	Knob (Large)	4958-A	.04	
㉜	Tone Control	4037-A	.39	㉞	Knob (Small)	4959-A	.03	
㉝	Output Transformer	2673	1.20	㉟	Knob (Switch)	4290-A	.01	
㉞	Voice Coil Assembly and Cone: H ₁ (Large Cone)	02997	.60	㊱	Spring (For small knobs)	4147	per C	.21
㉟	Speaker Field (Assembled with pot and frame)			㊲	Spring (For large knobs)	5262	per C	.18
㊱	By-Pass Condenser (.05 mfd.)	3615-W	.10	㊳	Grid Clip	4897		.06
㊲	Resistor (490,000 ohms)	4517	.12	㊴	Five Prong Socket Assembly	4956		.06
㊳	Oscillator Coil	03016	.30	㊵	Four Prong Socket Assembly	4955		.01
				㊶	Volume Control Insulator	1092		.22
				㊷	Dial	5021		.02
				㊸	Light Shield Screen	4927		.02
				㊹	Bezel	5009		.12

MODEL 90

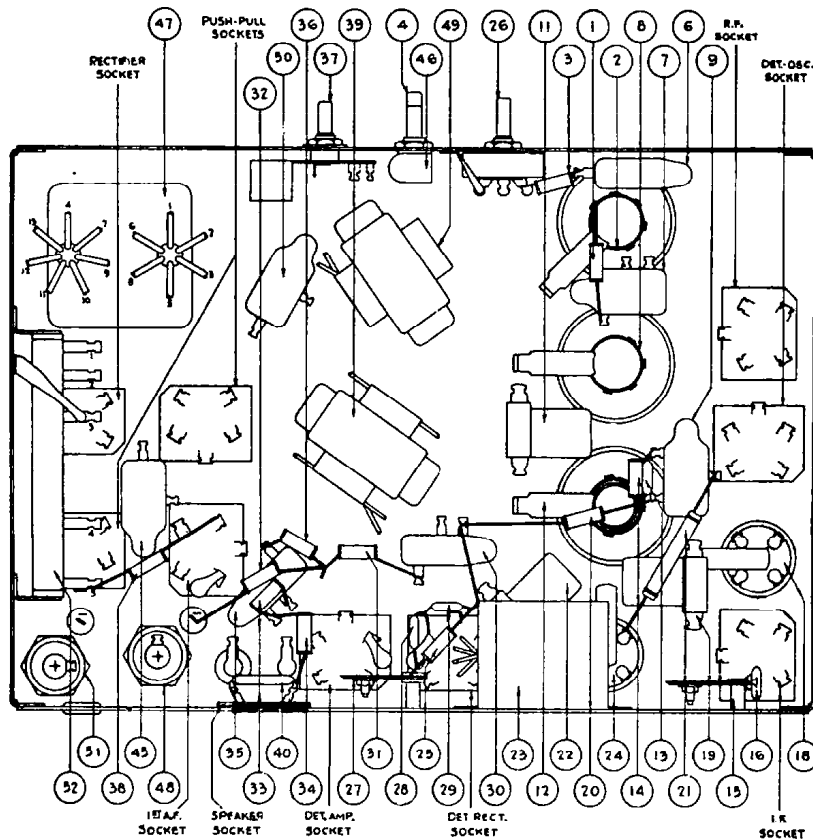
WITH 2- TYPE 47 TUBES
 SERIAL NO. 32,001 TO B35,000
 AND ABOVE B53,100



MODEL 90

WITH 2- TYPE 47 TUBES

SERIAL No. 32,001 TO B35,000 AND ABOVE B53,100

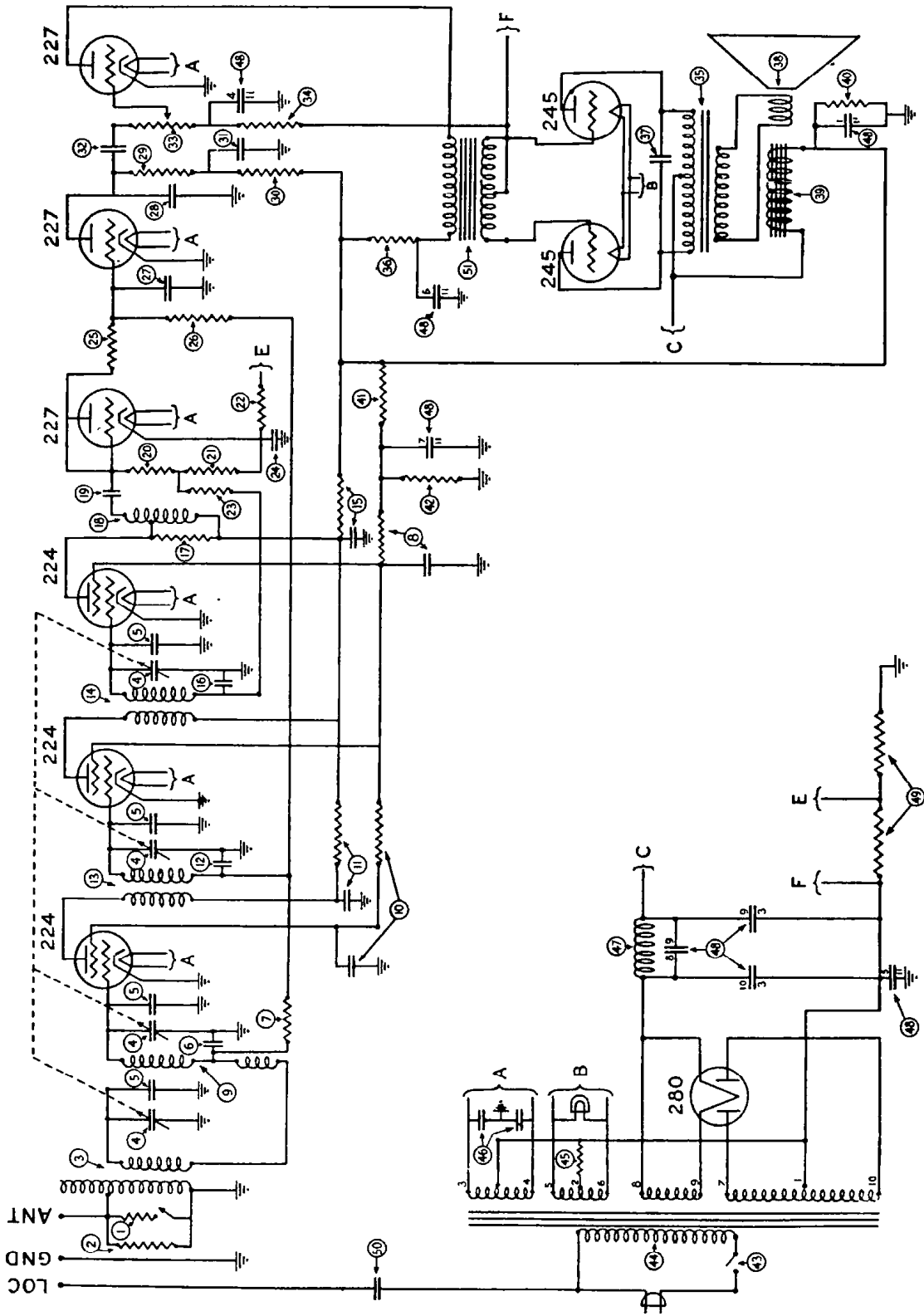


MODEL 90 REPLACEMENT PARTS

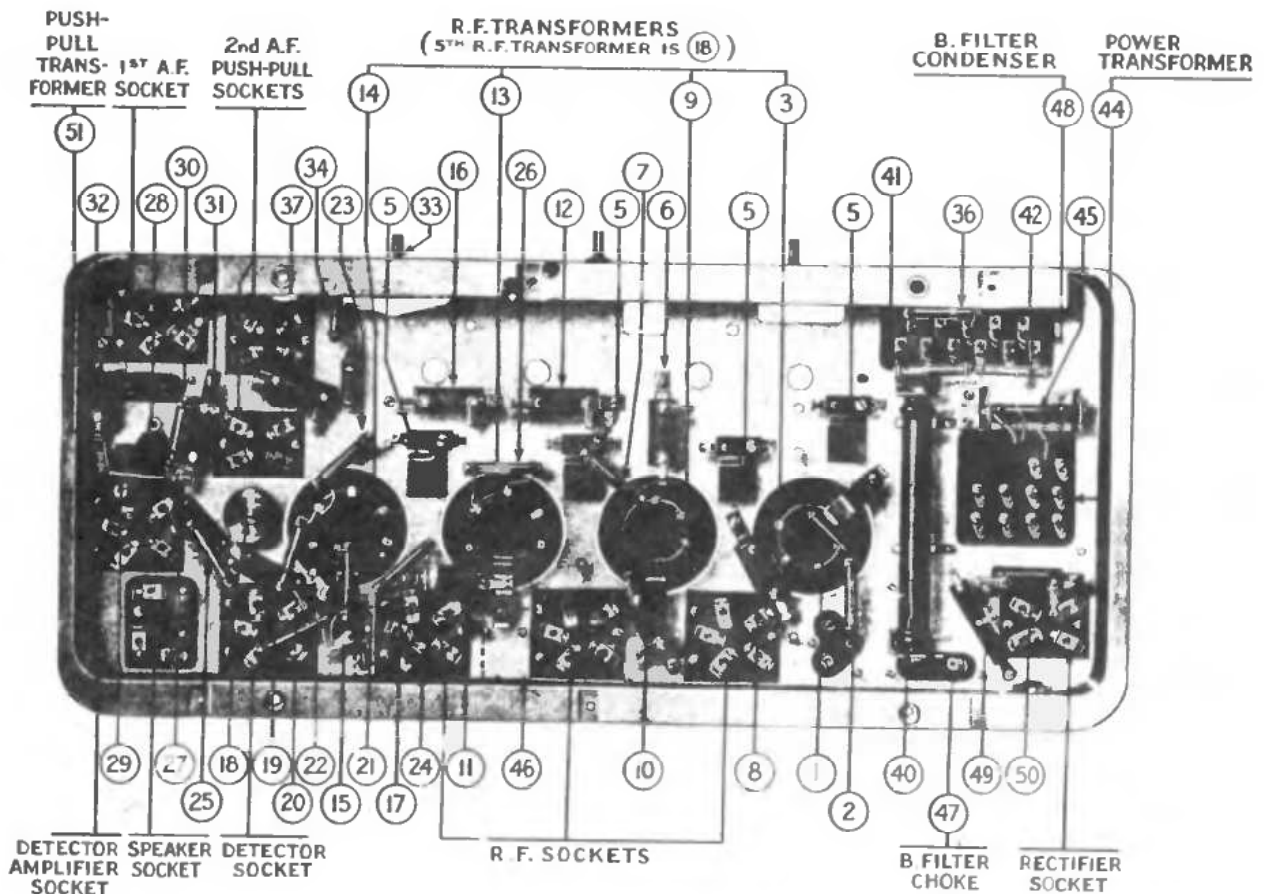
No. on Figs. 1 and 2	Description	Part No.	DEALER NET PRICE	No. on Figs. 1 and 2	Description	Part No.	DEALER NET PRICE
①	Resistor (10,000 Ohms)	4412	.12	②	Resistor (25,000 Ohms)	4409	.12
②	Antenna Transformer	04317	.39	③	Resistor (25,000 Ohms)	4409	.12
③	Resistor (1,000,000 Ohms)	4409	.12	④	Condenser (.01 Mfd.)	3903-X	.12
④	Tuning Condenser (50-80 cycles)	04309	3.00	⑤	Resistor (1,000,000 Ohms)	4409	.12
	Tuning Condenser (25-40 cycles)	04310	3.00	⑥	Tone Control	03137	.33
⑤	Compensating Condenser—Antenna—Part of Tuning Condenser Assembly			⑦	Resistor (51,000 Ohms)	4518	.12
⑥	Condenser (.05 Mfd.)	3615-L	.10	⑧	Push-Pull Input Transformer	6064	1.36
⑦	Condenser (.09 Mfd. and 200 Ohm Resistor)	4989-L	.15	⑨	Condenser (1,000 Mmf.) *	5215	.12
⑧	Detector Transformer	04408	.60	⑩	Push-Pull Output Transformer	2635	1.20
⑨	Condenser (.09 Mfd.)	3615-AJ	.15	⑪	Voice Coil and Cone Assembly	02874	.39
⑩	Compensating Condenser—Detector—Part of Tuning Condenser Assembly			⑫	Speaker Field Assembled with Pot	02892	3.00
⑪	Compensating Condenser—Coupling	04000-M	.10	⑬	Pilot Light	3463	.09
⑫	Oscillator Coil	04409	.39	⑭	Condenser (.015 Mfd. Double)	3793-E	.12
⑬	Condenser (700 Mmf.)	4520	.12	⑮	On-Off Switch	4095	.30
⑭	Resistor (15,000 Ohms)	6208	.12	⑯	Power Transformer (50-60 cycles)	6072	3.00
⑮	Compensating Condenser—Low Frequency	04000-B	.11		Power Transformer (25-40 cycles)	6078	3.90
⑯	Condenser (410 Mfd.)	5120	.11		Power Transformer (50-60 cycles, 230 volts)	6074	4.20
⑰	Compensating Condenser—High Frequency—Part of Tuning Condenser Assembly			⑰	Electrolytic Condenser (8 Mfd.) 50-60 cycles	4916	1.05
⑱	First I.F. Transformer	04319	.45	⑱	Filter Choke	4819	.90
⑲	Compensating Condenser—First I.F.	04000-M	.10	⑳	Condenser (.15 Mfd.)	6287-B	.12
⑳	Resistor (1,000,000 Ohms)	4409	.12	㉑	Condenser (6 Mfd.)	4916	1.05
㉑	Resistor (1,000 Ohms)	4590	.12	㉒	B. C. Resistor	6071	.24
㉒	Compensating Condenser—Second I.F. Primary	04000-M	.10	㉓	Tube Shield	04311	.24
㉓	Condenser (2-.25, 2-.5 Mfd.)	04407	.60	㉔	Knob (Large)	03063	.05
㉔	Second I.F. Transformer	04320	.45	㉕	Knob (Small)	03064	.04
㉕	Resistor (99,000 Ohms)	4411	.12	㉖	Knob (Switch)	03437	.02
㉖	Volume Control	6015	.45	㉗	Knob Spring (Large)	5262	per C .21
㉗	Compensating Condenser (Second I.F. Secondary)	04000-M	.10	㉘	Knob Spring (Small)	4147	.01
㉘	Condenser (110 Mmf.)	4519	.11	㉙	Grid Clip	4897	per C .18
㉙	Condenser (110 Mmf.)	4519	.11	㉚	Two-Prong Socket Assembly	4966	per C .06
㉚	Condenser (.01 Mfd.)	3903-N	.10	㉛	Four-Prong Socket Assembly	5026	.06
㉛	Resistor (1,000,000 Ohms)	4517	.20	㉜	Dial Complete	08031	.36
㉜	Resistor (490,000 Ohms)	4516	.20	㉝	Bezel	5311	.03
				㉞	Chassis Mounting Screw (2 Used)	W-664	.02
				㉟	Chassis Mounting Screw (2 Used)	W-567	per C 1.44
				㊱	Mounting Washer	5058	per C .41
				㊲	Rubber Washer	5189	per C 1.80

* This item omitted on later production.

Philco Model 95



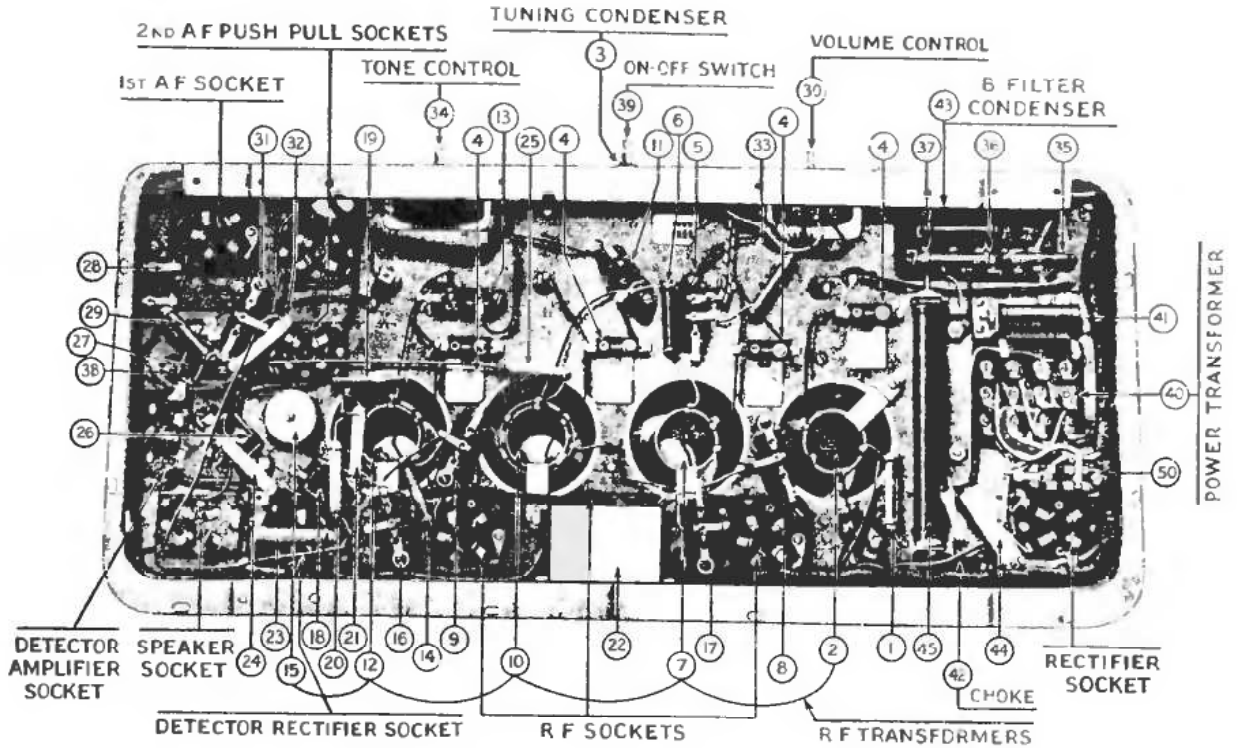
Philco Model 95



Replacement Parts for Model 95

NUMBER FROM DIAGRAM		FACTORY PART No.	DEALER NET PRICE		DEALER NET PRICE		
①	Resistor	3777	.10	●	Resistor	3709	.12
②	Resistor	3526	.12	●	Resistor	3708	.12
③	1st R. F. Transformer	3744-A	.76	●	Condenser	3584-B	.15
④	Tuning Condenser	3376-D	6.00	●	Condenser	3788-A	.24
⑤	Compensating Condenser	3772-A	.08	●	Resistor (Volume Control)	3790	.93
⑥	Condenser	3788-A	.24	●	Resistor	3542	.12
⑦	Resistor	3542	.12	●	Push-Pull Output Transformer	2948	1.20
⑧	Condenser	3564-C	.15	●	Resistor	8656	.12
⑨	2d R. F. Transformer	3744-B	.60	●	Condenser	3788-A	.24
⑩	Condenser and Resistor	3787-A	.27	●	Speaker Cone and Voice Coil	2814-B	.90
⑪	Condenser and Resistor	3787-A	.27	●	Field Coil	2850	1.95
⑫	Condenser	3788-A	.24	●	Resistor	3762	.60
⑬	3d R. F. Transformer	3744-C	.90	●	Resistor	3766	.12
⑭	4th R. F. Transformer	3744-C	.90	●	Resistor	3542	.12
⑮	Condenser	3584-B	.15	●	On-Off Switch	3517	.36
⑯	Condenser	3788-A	.24	●	Power Transformer	3752	3.60
⑰	Resistor	3766	.12	●	Resistor	3763	.18
⑱	5th R. F. Transformer	3775-II	.42	●	Condenser (Filament By-Pass)	3557	.27
⑳	Condenser	3774	.15	●	Choke	3422	1.50
㉑	Resistor	3767	.12	●	B Filter Condenser	3754	3.90
㉒	Resistor	3767	.12	●	Resistor	3764	.10
㉓	Resistor	3767	.12	●	Condenser for "Loc" Terminal	3768-A	.24
㉔	Resistor	3769	.12	●	Push-Pull Input Transformer	3537	2.10
㉕	Condenser	3584	.24	●	Local-Distance Switch	3773	.30
㉖	Resistor	3768	.12	●	Pilot Lamp	3463	.09
㉗	Resistor	3769	.12	●	Oscillator Kit	3540	3.00
㉘	Condenser	3082	.12	●	Cabinet Touch-up Kit	3809	10.00
㉙	Condenser	3082	.12				

Philco Model 96

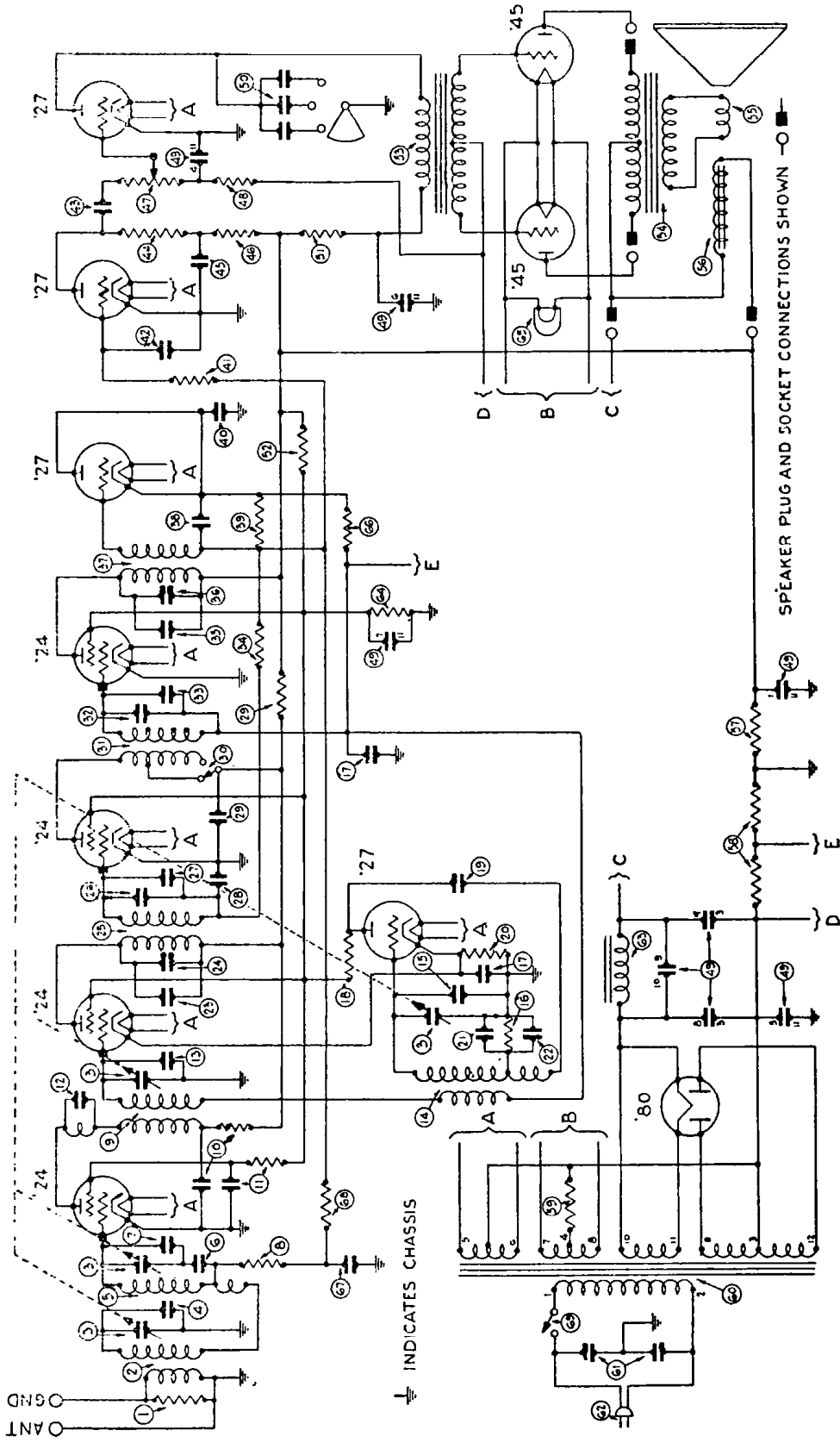


Replacement Parts for Model 96

No.	Description	Part No.	DEALER NET PRICE	No.	Description	Part No.	DEALER NET PRICE
①	Antenna Resistor	3526	.12	③①	Volume Control	4093	.84
②	First R. F. Transformer	3744-A	.75	③②	By-Pass Condenser	3615-D	.11
③	Tuning Condenser	4000-D	4.50	③③	Resistor	3768	.12
④	Compensating Condenser	3772-A	.08	③④	Resistor	3542	.12
⑤	By-Pass Condenser	3615-F	.12	③⑤	Tone Control	4037-A	.39
⑥	Resistor	3542	.12	③⑥	Resistor	3542	.12
⑦	Second R. F. Transformer	3744-B	.60	③⑦	Resistor	3766	.12
⑧	By-Pass Condenser and Resistor	3615-C	.18	③⑧	Resistor	3656	.12
⑨	By-Pass Condenser and Resistor	3615-B	.18	③⑨	Input Transformer	3537	2.10
⑩	Third R. F. Transformer	3744-C	.90	③⑩	On-Off Switch	4095	.30
⑪	By-Pass Condenser	3615-E	.12	④①	Power Transformer (60 Cycle)	3752	3.60
⑫	Fourth R. F. Transformer	3744-C	.90	④②	Power Transformer (25 Cycle)	3753	9.00
⑬	By-Pass Condenser	3615-E	.12	④③	C Resistor	3763	.18
⑭	Resistor	3766	.12	④④	Choke	3422	1.50
⑮	Fifth R. F. Transformer	3775-B	.42	④⑤	Filter Condenser (60 Cycle)	3754	3.90
⑯	By-Pass Condenser and Resistor	3615-B	.18	④⑥	Filter Condenser (25 Cycle)	3755	8.40
⑰	By-Pass Condenser and Resistor	3615-C	.18	④⑦	Resistor	3764	.10
⑱	Condenser	3774	.15	④⑧	B Resistor	3762	.60
⑲	Resistor	3769	.12	④⑨	Out-Put Transformer	2848	1.20
⑳	Resistor	3767	.12	④⑩	Field Coil	2850	1.95
㉑	Resistor	3767	.12	④⑪	Voice Coil and Cone	2794-B	.60
㉒	By-Pass Condenser	3583	.24	④⑫	Pilot Lamp	3463	.09
㉓	Resistor	3767	.12	④⑬	Condenser (LOC)	3793-B	.10
㉔	Resistor	3768	.12		Knob (Vol. Control)	3579	.04
㉕	Resistor	3769	.12		Knob (Tuning Condenser)	3580	.07
㉖	By-Pass Condenser	3082	.12		Dial Indicator	4006	.05
㉗	By-Pass Condenser	3082	.12		Scale	4118	.18
㉘	Condenser	3793-C	.10		Speaker Plug and Cable (Short)	L-1101-A	.36
㉙	Resistor	3769	.12		Speaker Plug and Cable (Long)	L-1102-A	.72

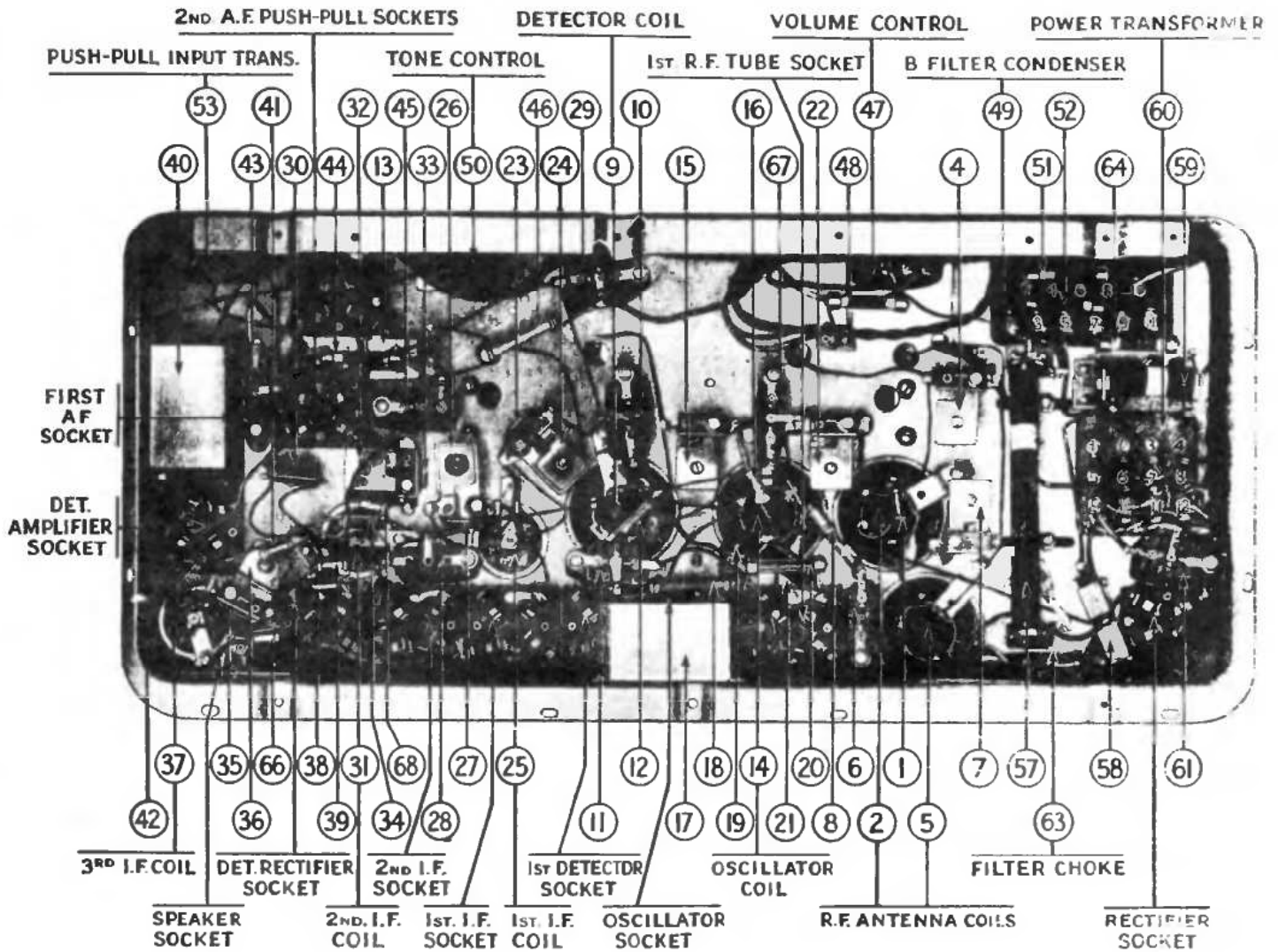
NOTE: The first two Compensating Condensers ④ are 3772-A; the third and fourth Condensers are 3968-A.

MODELS 111 AND 111-A



NOTE: The connection shown between Condenser No. 7 and Condenser No. 8 should also be connected to ground.

Models 111 and 111-A

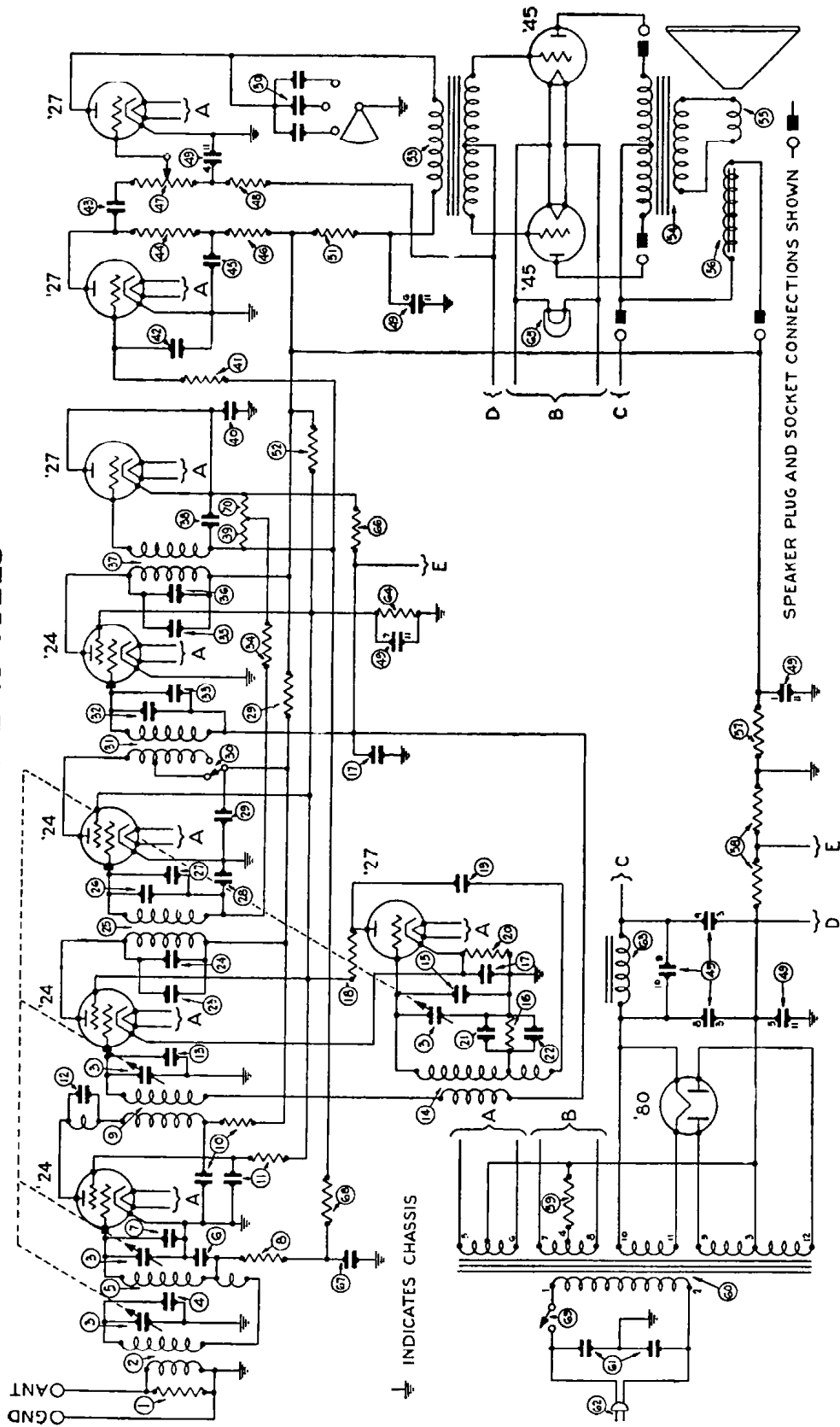


REPLACEMENT PARTS

No. on Figs. 3 and 4	Description	Part No.	NET PRICE	No. on Figs. 3 and 4	Description	Part No.	NET PRICE
①	Resistor—10,000 Ohms	4412	.12	④	Condenser—.5	3583	.24
②	1st R. F. Coil	3554-J	.39	⑤	Resistor—100,000 Ohms	1414	.12
③	Tuning Condenser	4000-D	4.50	⑥	Condenser—.00025	3082	.12
④	Compensating Condenser	3772-A	.08	⑦	Condenser—.015	3792-B	.10
⑤	2nd R. F. Coil	3584-T	.27	⑧	Resistor—500,000 Ohms	3760	.12
⑥	Condenser—.05	3615-L	.10	⑨	Condenser—.65	3615-S	.10
⑦	Compensating Condenser	3968-A	.12	⑩	Resistor—250,000 Ohms	3768	.12
⑧	Resistor—100,000 Ohms	4411	.12	⑪	Volume Control	4093	.34
⑨	1st Detector Coil	3884-V	.48	⑫	Resistor—70,000 Ohms	3532	.12
⑩	Condenser—.05 and 250 Ohms	3615-C	.11	⑬	B Filter Condenser Block—60 cycles	3754	.30
⑪	Condenser—.05 and 250 Ohms	3615-C	.11	⑭	B Filter Condenser Block—25 cycles	3753	.30
⑫	Coupling Condenser	3592-A	.09	⑮	Tone Control	3057-A	.30
⑬	Compensating Condenser	3803-A	.12	⑯	Resistor—25,000 Ohms	3656	.12
⑭	Oscillator Coil	3554-U	.36	⑰	Resistor—25,000 Ohms	3656	.12
⑮	Compensating Condenser	3968-A	.12	⑱	Push-pull Input Transformer	3557	2.10
⑯	Resistor—50,000 Ohms	1515	.12	⑲	Push-pull Output Transformer	2848	1.20
⑰	Condenser—.25 double	3557	.27	⑳	Voice Coil and Cone Assembly	2794-B	.50
⑱	Resistor—13,000 Ohms	3766	.12	㉑	Field Coil	2890	1.95
⑲	Condenser—.00011	4519	.11	㉒	B Resistor—10,000 Ohms	4532	.12
⑳	Resistor—1,000 Ohms	4500	.12	㉓	C Resistor	3764	.12
㉑	Condenser—.0007	4520	.12	㉔	C Resistor—800 Ohms	3764	.12
㉒	Compensating Condenser	3772-B	.08	㉕	Power Transformer—60 cycles	4446	3.50
㉓	Condenser—.00011	4819	.11	㉖	Power Transformer—25 cycles	4447	1.50
㉔	Compensating Condenser	3772-C	.15	㉗	Condenser—.015 double	3792-E	.12
㉕	1st I. F. Coil	4501-B	.60	㉘	A C Cord and Plug	1-213-A	.30
㉖	Compensating Condenser	3772-C	.15	㉙	Filter Choke	3422	1.50
㉗	Condenser—.0001	4519	.11	㉚	Resistor—70,000 Ohms	3532	.12
㉘	Condenser—.05	3615-J	.11	㉛	Pilot Lamp	3468	.50
㉙	Condenser—.05 and 250 Ohms	3615-B	.18	㉜	Resistor—100,000 Ohms	4411	.12
㉚	Range Switch	3116	.30	㉝	Condenser—.05	3015-D	.12
㉛	2nd I. F. Coil	4501-C	.60	㉞	Resistor—100,000 Ohms	4411	.12
㉜	Compensating Condenser	3772-C	.15	㉟	On-Off Switch	1095	.30
㉝	Condenser—.00011	4519	.11	㊱	Insulator for Part Nos. 3557-3583	4095	.12
㉞	Resistor—500,000 Ohms	1517	.12	㊲	Pilot Bracket Assembly	1027-A	.12
㉟	Condenser—.00005	4557	.12	㊳	Bolt for Pilot Bracket Assembly	W-139	.12
㊱	Compensating Condenser	3772-D	.08	㊴	Tone Control Nut	W-134	.12
㊲	3rd I. F. Coil	4501-D	.60	㊵	By-pass Condenser Mounting Bolt	W-135	1.20
㊳	Condenser—.00011	4519	.11	㊶	Bottom Shield Bolt	W-453	.02
㊴	Resistor—100,000 Ohms	4411	.12	㊷	Chassis Mounting Bolt	W-302	2.10

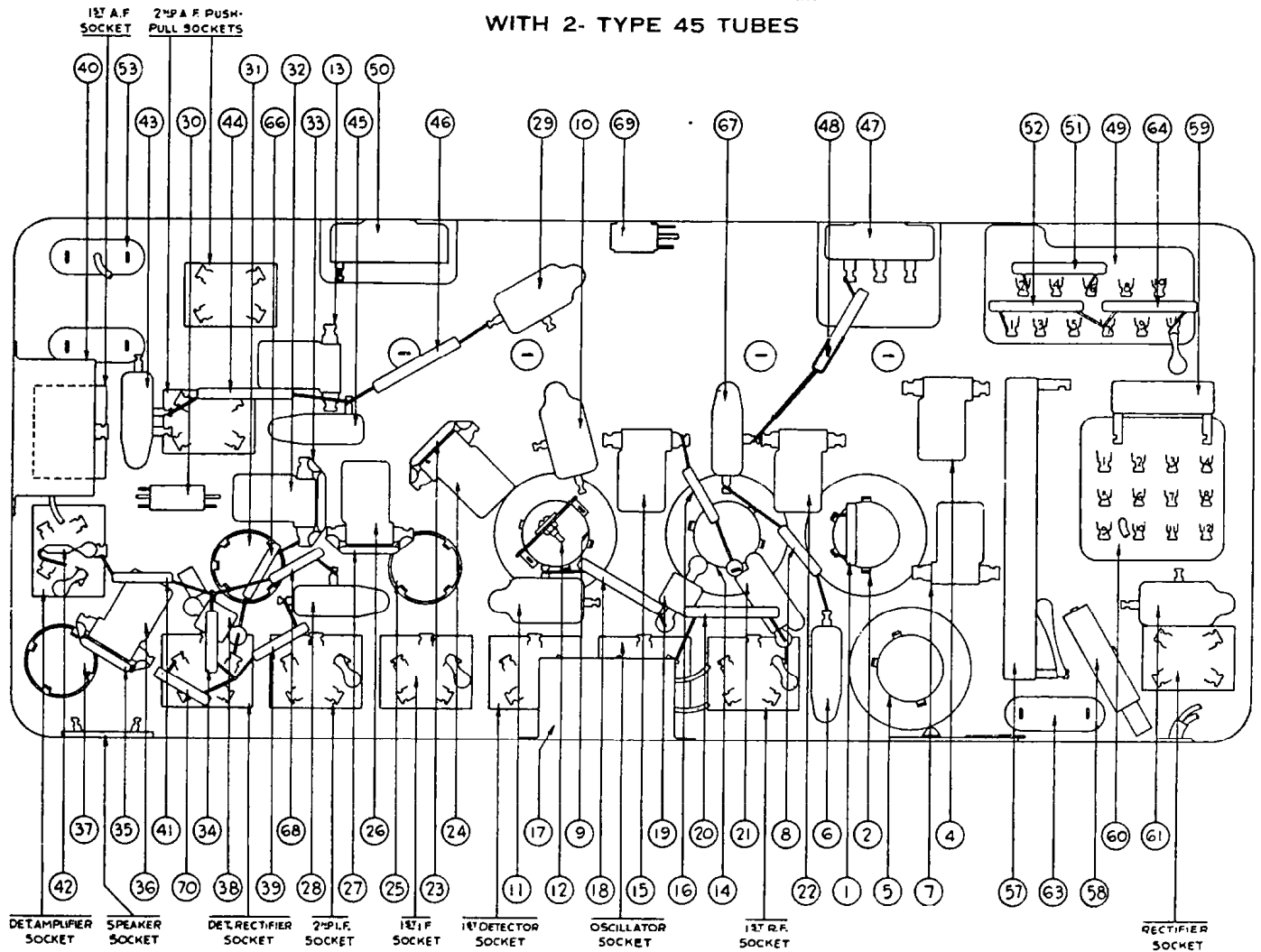
MODELS 112 AND 112-A

WITH 2- TYPE 45 TUBES



MODELS 112 AND 112-A

WITH 2- TYPE 45 TUBES



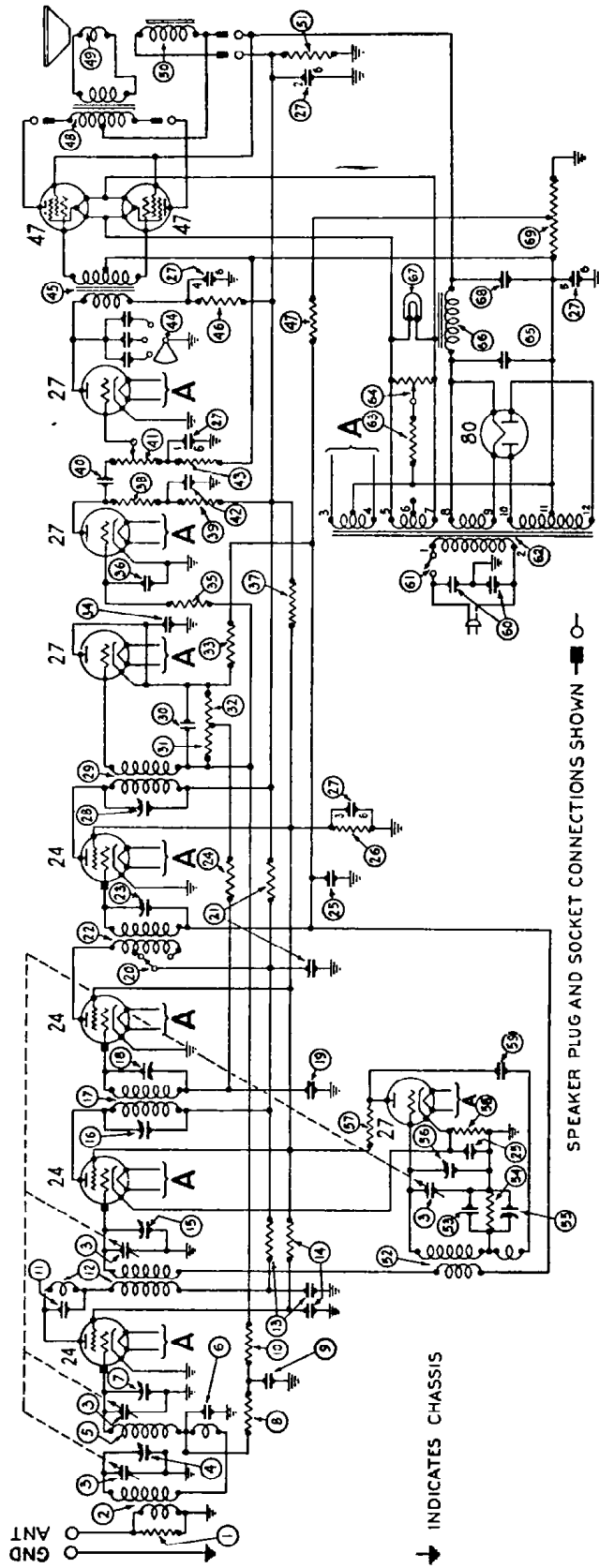
REPLACEMENT PARTS

No. on Figs. 3 and 4	Description	Part No.	NET PRICE	No. on Figs. 3 and 4	Description	Part No.	NET PRICE
①	Resistor—10,000 Ohms	4412	.12	④	Condenser—.5	3583	.24
②	1st R. F. Coil	3884-J	.39	⑤	Resistor—100,000 Ohms	4411	.12
③	Tuning Condenser	4000-D	4.50	⑥	Condenser—.0025	3062	.12
④	Compensating Condenser	3772-A	.08	⑦	Condenser—.015	3793-B	.10
⑤	2nd R. F. Coil	3884-T	.27	⑧	Resistor—500,000 Ohms	3769	.12
⑥	Condenser—.05	3615-L	.10	⑨	Condenser—.05	3615-S	.10
⑦	Compensating Condenser	3968-A	.12	⑩	Resistor—250,000 Ohms	3768	.12
⑧	Resistor—100,000 Ohms	4411	.12	⑪	Volume Control	4093	.84
⑨	1st Detector Coil	3584-V	.48	⑫	Resistor—70,000 Ohms	3542	.12
⑩	Condenser—.05 and 250 Ohms	3615-C	.18	⑬	B Filter Condenser Block—60 cycles	3754	3.90
⑪	Condenser—.05 and 250 Ohms	3615-C	.18	⑭	B Filter Condenser Block—25 cycles	3755	8.40
⑫	Coupling Condenser	3892-A	.09	⑮	Tone Control	4037-A	.39
⑬	Compensating Condenser	3968-A	.12	⑯	Resistor—25,000 Ohms	3656	.12
⑭	Oscillator Coil	3884-U	.36	⑰	Resistor—25,000 Ohms	3656	.12
⑮	Compensating Condenser	3968-A	.12	⑱	Push-pull Input Transformer	3537	2.10
⑯	Resistor—50,000 Ohms	4518	.12	⑲	Push-pull Output Transformer	2848	1.20
⑰	Condenser—.25 double	3557	.27	⑳	Voice Coil and Cone Assembly	2794-B	.60
⑱	Resistor—13,000 Ohms	3766	.12	㉑	Field Coil	2850	1.95
⑲	Condenser—.00011	4519	.11	㉒	B Resistor—10,000 Ohms	4532	.27
⑳	Resistor—1,000 Ohms	4590	.12	㉓	C Resistor	3764	.10
㉑	Condenser—.0007	4520	.12	㉔	C Resistor—500 Ohms	3763	.18
㉒	Compensating Condenser	3772-B	.08	㉕	Power Transformer—60 cycles	4446	3.60
㉓	Condenser—.00011	4519	.11	㉖	Power Transformer—25 cycles	4447	8.10
㉔	Compensating Condenser	3772-C	.15	㉗	Condenser—.015 double	3793-E	.12
㉕	1st I. F. Coil	4501-B	.60	㉘	A C Cord and Plug	L-943-A	.30
㉖	Compensating Condenser	3773-C	.15	㉙	Filter Choke	3422	1.50
㉗	Condenser—.0001	4519	.11	㉚	Resistor—70,000 Ohms	3542	.12
㉘	Condenser—.05	3615-J	.11	㉛	Pilot Lamp	3463	.09
㉙	Condenser—.05 and 250 Ohms	3615-B	.18	㉜	Resistor—100,000 Ohms	4411	.12
㉚	Range Switch	3116	.30	㉝	Condenser—.05	3615-D	.11
㉛	2nd I. F. Coil	4501-C	.60	㉞	Resistor—100,000 Ohms	4411	.12
㉜	Compensating Condenser	3772-C	.15	㉟	On-Off Switch	4095	.30
㉝	Condenser—.00011	4519	.11	㊱	Resistor 50,000 Ohms	4518	.12
㉞	Resistor—500,000 Ohms	4517	.12	㊲	Insulator for Part Nos. 3557-3583	4105	.02
㉟	Condenser—.00005	4567	.12	㊳	Pilot Bracket Assembly	4027-A	.10
㊱	Compensating Condenser	3772-D	.08	㊴	Bolt for Pilot Bracket Assembly	W-439	per C .12
㊲	3rd I. F. Coil	4501-D	.60	㊵	Tone Control Nut	W-434	per C .75
㊳	Condenser—.00011	4519	.11	㊶	By-pass Condenser Mounting Bolt	W-443	per C 1.20
㊴	Resistor—50,000 Ohms	4518	.12	㊷	Bottom Shield Bolt	W-453	.02
				㊸	Chassis Mounting Bolt	W-468	per C 2.10

MODELS 112 AND 112-A

(Above Serial No. 174,001)

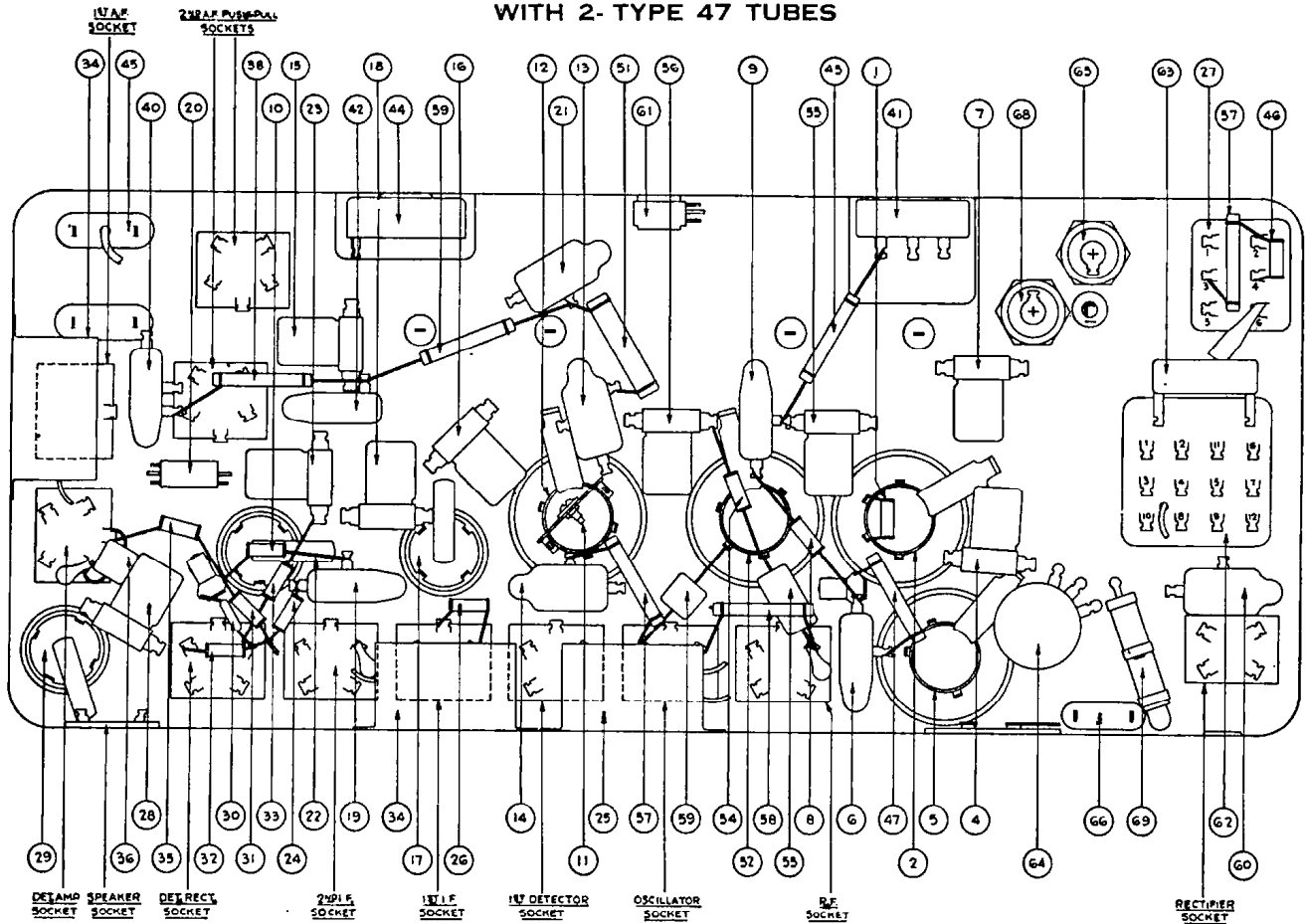
WITH 2-TYPE 47 TUBES



MODELS 112 AND 112-A

(Above Serial No. 174,001)

WITH 2-TYPE 47 TUBES

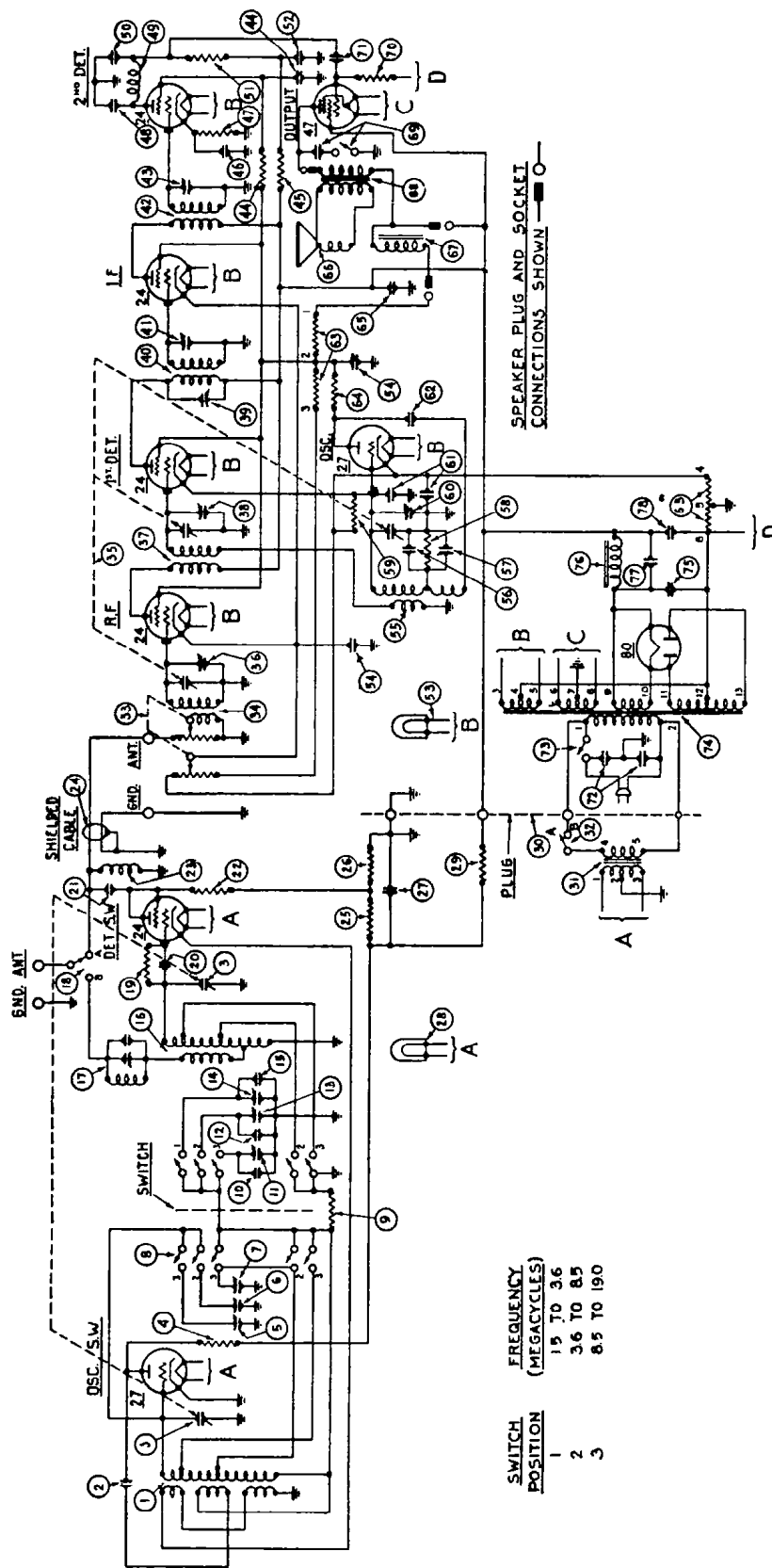


REPLACEMENT PARTS—MODELS 112, 112-A

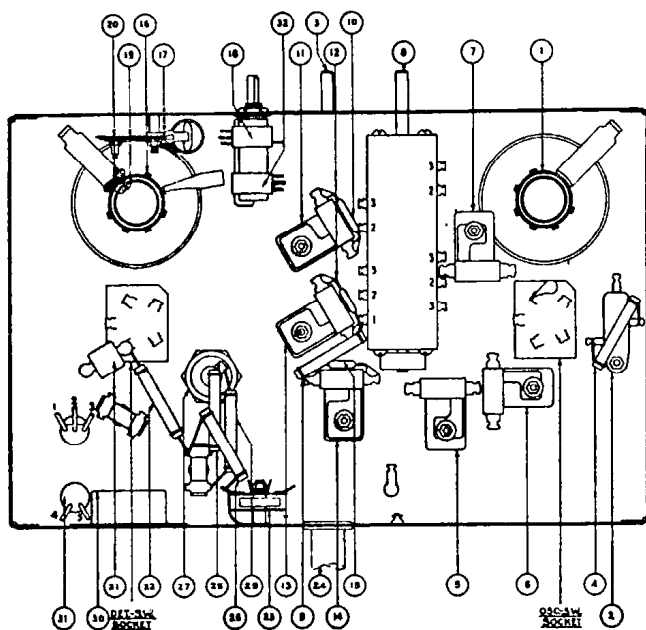
(Above Serial No. 174,001)

No. on Figs. 3 and 4	Description	Part No.	NET PRICE	No. on Figs. 3 and 4	Description	Part No.	NET PRICE	DEALER NET PRICE
①	Resistor (10,000 ohms)	4412	.12	⑩	Volume Control	4093	.84	
②	First R. F. Coil	3884-S	.39	⑪	By-pass Condenser (.05 mfd.)	3615-S	.10	
③	Tuning Condenser	4000-D	4.50	⑫	Resistor (70,000 ohms)	3542	.12	
④	Compensating Condenser	04000-E	.06	⑬	Tone Control	03137	.33	
⑤	Second R. F. Coil	3884-T	.27	⑭	Push-pull Input Transformer	5062	1.95	
⑥	By-pass Condenser (.05 mfd.)	3615-J	.11	⑮	Resistor (25,000 ohms)	4516	.12	
⑦	Compensating Condenser	04000-D	.06	⑯	Resistor (13,000 ohms)	3766	.12	
⑧	Resistor (99,000 ohms)	4411	.12	⑰	Push-pull Output Transformer	2635	1.20	
⑨	By-pass Condenser (.05 mfd.)	3615-D	.11	⑱	Voice Coil and Cone Assembly	02907	.60	
⑩	Resistor (99,000 ohms)	4411	.12	⑳	Speaker Field (assembled with pot and frame)	02802	3.00	
⑪	Condenser	3892-A	.09	㉑	Resistor (15,000 ohms)	5718	.24	
⑫	First Detector Coil	3884-V	.48	㉒	Oscillator Coil	3694-U	.36	
⑬	By-pass Condenser & Resistor (.05 mfd. and 250 ohms)	3615-Z	.18	㉓	Condenser (700 mmf.)	4520	.12	
⑭	By-pass Condenser & Resistor (.05 mfd. and 250 ohms)	3615-B	.18	㉔	Resistor (50,000 ohms)	4518	.12	
⑮	Compensating Condenser	04000-E	.06	㉕	Compensating Condenser	01000-F	.10	
⑯	Compensating Condenser	04000-J	.12	㉖	Compensating Condenser	04000-E	.06	
⑰	First I. F. Transformer	03038	.45	㉗	Resistor (13,000 ohms)	3766	.12	
⑱	Compensating Condenser	04000-J	.12	㉘	Resistor (1,000 ohms)	4590	.12	
⑲	By-pass Condenser (.05 mfd.)	3615-J	.11	㉙	Condenser (110 mmf.)	4519	.11	
⑳	Range Switch	3116	.30	㉚	By-pass Condenser (.015 mfd. double)	3793-E	.12	
㉑	By-pass Condenser & Resistor (.05 mfd. and 250 ohms)	3615-B	.18	㉛	On-Off Switch	4095	.30	
㉒	Second I. F. Transformer	03039	.48	㉜	Power Transformer (115 volts 50-60 cycles)	5594	4.20	
㉓	Compensating Condenser	04000-J	.12	㉝	Power Transformer (115 volts 25-40 cycles)	5595	7.20	
㉔	Resistor (490,000 ohms)	4517	.12	㉞	Power Transformer (230 volts 50-60 cycles)	5596	5.10	
㉕	By-pass Condenser (1/4 mfd.)	3557	.27	㉟	Resistor (205 ohms)	03613	.21	
㉖	Resistor (70,000 ohms)	5385	.12	㊱	Hum Control Potentiometer	5650	.39	
㉗	Filter Condenser Block (50-60 cycles)	03489	1.05	㊲	Electrolytic Condenser (6 mfd.)	4916	1.05	
㉘	Filter Condenser Block (25-40 cycles)	03589	1.35	㊳	Filter Choke	5643	.90	
㉙	Compensating Condenser	04000-L	.12	㊴	Pilot Light	3463	.09	
㉚	Third I. F. Transformer	03040	.45	㊵	Electrolytic Condenser (6 mfd.)	4916	1.05	
㉛	Condenser (110 mmf.)	4519	.11	㊶	Resistor (2 sections 70 ohms each)	3764	.10	
㉜	Resistor (51,000 ohms)	4518	.12	㊷	Knob (Large)	03063	.05	
㉝	Resistor (51,000 ohms)	4518	.12	㊸	Knob (Small)	03064	.04	
㉞	Resistor (51,000 ohms)	4518	.12	㊹	Knob (Switch)	03437	.02	
㉟	Resistor (99,000 ohms)	4411	.12	㊺	Spring (for Switch Knob)	5262	.21	per C
㊱	By-pass Condenser (.5 mfd.) 2 used	3583	.24	㊻	Spring (for Dial Knob)	4147	.01	
㊲	Resistor (99,000 ohms)	4411	.12	㊼	Tube Shield	03518	.51	
㊳	Condenser (250 mmf.)	3082	.12	㊽	Grid Clip	4897	.18	per C
㊴	Resistor (25,000 ohms)	3656	.12	㊾	Four Prong Socket Assembly	5026	.05	
㊵	Resistor (99,000 ohms)	3769	.12	㊿	Five Prong Socket Assembly	4956	.06	
㊶	Resistor (490,000 ohms)	3768	.12	1	Volume Control Insulator	4286	.01	
㊷	Condenser (.015 mfd.)	3793-F	.12	2	Dial Scale	4276	.12	
				3	Bezel	5019	.18	
				4	Pilot Bracket Complete	4027-A	.10	

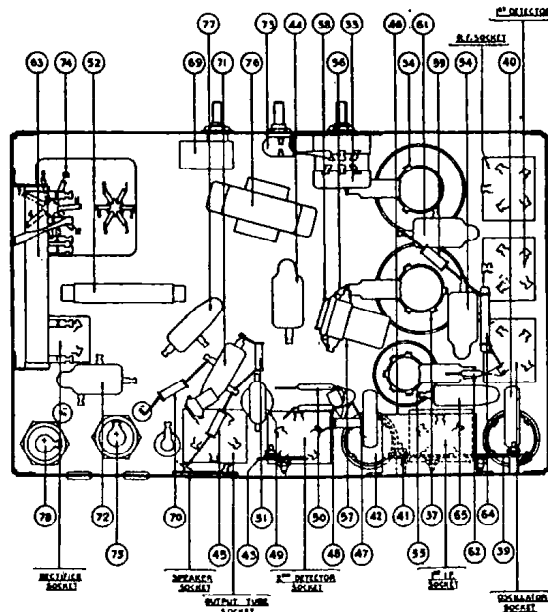
MODELS 470 AND 470-A



MODELS 470 AND 470-A



Short Wave Chassis.



Broadcast Chassis.

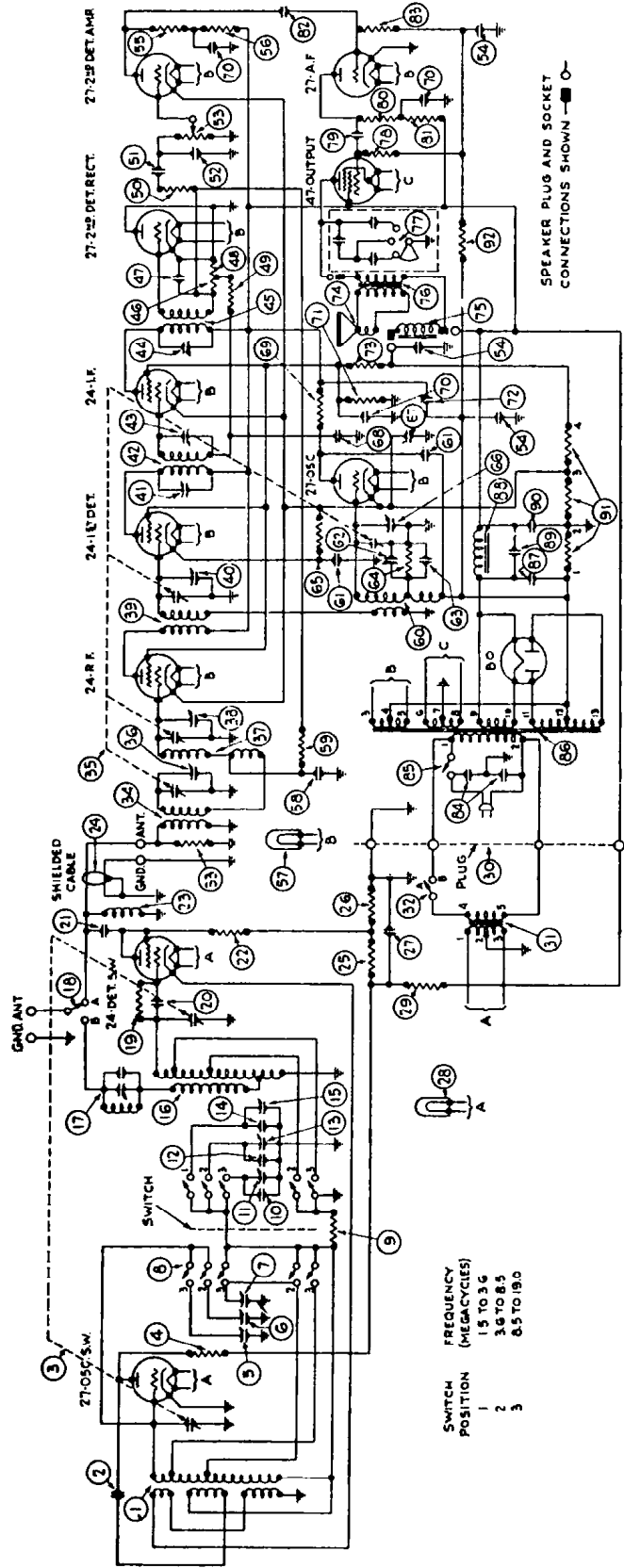
REPLACEMENT PARTS MODEL 470 AND 470-A

No. on Fig. 1 and 2	Description	Part No.	NET PRICE	No. on Fig. 1 and 2	Description	Part No.	NET PRICE
①	Oscillator Coil*	03734	.99	④⑤	Resistor (45,000 ohms) 50-60 cycles	5256	.12
②	By-pass Condenser (.05 mfd.)	3615-M	.11	④⑥	Resistor (99,000 ohms) 25-40 cycles	4411	.12
③	Gang Condenser Assembly	08692	1.95	④⑦	Condenser (.5 mfd.)	3583	.24
④	Resistor (13,000 ohms)	3766	.12	④⑧	Resistor (51,000 ohms)	4518	.12
⑤	Compensating Condenser (19 MC End of Top Scale)	04000-E	.06	④⑨	Condenser (500 mmf.)	3910	.21
⑥	Compensating Condenser (8.5 MC End of Center Scale)	04000-E	.06	④⑩	R. F. Choke	03086	.12
⑦	Compensating Condenser (3.6 MC End of Bottom Scale)	04000-E	.06	④⑪	Condenser (250 mmf.)	3082	.12
⑧	Frequency Control Switch	03751	1.80	④⑫	Resistor (240,000 ohms)	4410	.24
⑨	Resistor (240,000 ohms)	3768	.12	④⑬	Condenser (.25 mfd.)	4264	.24
⑩	Condenser (1,250 mmf.)**	5886	.15	④⑭	Pilot Light (Broadcast Unit)	3463	.09
⑪	Compensating Condenser (8.5 MC End of Top Scale)**	04000-F	.10	④⑮	Condenser (.09 mfd. double)	4989-C	.15
⑫	Condenser (300 mmf.)	5878	.12	④⑯	Oscillator Coil	03084	.30
⑬	Compensating Condenser (3.6 MC End of Center Scale)	04000-F	.10	④⑰	Condenser (410 mmf.)	5120	.11
⑭	Condenser (250 mmf.)	3082	.12	④⑱	Compensating Condenser—Low Frequency	04000-F	.10
⑮	Compensating Condenser (1.5 MC End of Bottom Scale)	04000-F	.10	④⑲	Resistor (51,000 ohms)	4518	.12
⑯	Detector Transformer*	03734	.99	④⑳	Resistor (5,000 ohms)	5310	.12
⑰	Frequency Filter	03662	.33	④㉑	Compensating Condenser—High Frequency		
⑱	Antenna Switch Assembled with ⑳	5796	.75	④㉒	Part of Gang Condenser Assembly		
⑲	Resistor (2 megohms) Assembled with ⑳	03879	.30	④㉓	Condenser (.09 mfd. double)	4989-C	.16
⑳	Condenser (110 mmf.) Assembled with ⑲	03879	.30	④㉔	Condenser (110 mmf.)	4519	.11
㉑	Condenser (250 mmf.)	3082	.12	④㉕	B. C. Resistor	03079	.12
㉒	Resistor (99,000 ohms)	3767	.12	④㉖	Resistor (18,000 ohms)	3766	.10
㉓	R. F. Choke	03893	.18	④㉗	Condenser (.05 mfd.)	3615-L	.45
㉔	Shielded Cable	L-1278	.60	④㉘	Voice Coil and Cone Assembly	02996	.45
㉕	Resistor (32,000 ohms)	3525	.12	④㉙	Field Coil Assembled with Pot.	02966	1.20
㉖	Resistor (32,000 ohms)	3525	.12	④㉚	Output Transformer	2673	.24
㉗	Electrolytic Condenser (6 mfd.)	4916	1.05	④㉛	Tone Control	03140	.24
㉘	Pilot Light (Short Wave Unit)	3463	.09	④㉜	Resistor (210,000 ohms)	4410	.12
㉙	Resistor (5,000 ohms)	3526	.12	④㉝	Condenser (.01 mfd.)	3903-L	.12
㉚	Plug	03913	.45	④㉞	Condenser (.015 mfd. double)	3793-K	.12
㉛	Filament Transformer			④㉟	"On-off" Switch	4095	.30
	(50-60 cycles)	5906	1.05	④㊱	Power Transformer (50-60 cycles)	5117	3.90
	(25-40 cycles)	5923	1.35	④㊲	Power Transformer (25-40 cycles)	5118	5.25
	(50-60 cycles, 230 volts)	5924	1.20	④㊳	Power Transformer (50-60, 230 volts)	5119	4.06
㉜	On-off Switch (Assembled with ㉛)	5796	.75	④㊴	Electrolytic Condenser (6 mfd.) 50-60 cycles	4916	1.05
㉝	Volume Control	5039	.90	④㊵	Electrolytic Condenser (10 mfd.) 25-40 cycles	5142	1.20
㉞	First R. F. Transformer	03082	.36	④㊶	Choke	4819	.90
㉟	(Tuning Condenser (50-60 cycles)	03076	3.00	④㊷	Condenser (.09 mfd.) 50-60 cycles	4989-J	.10
㊱	(Tuning Condenser (25-40 cycles)	03077	3.00	④㊸	Condenser (.18 mfd.) 25-40 cycles	4989-K	.16
㊲	Compensating Condenser — Antenna — Part of Gang Condenser Assembly			④㊹	Electrolytic Condenser (6 mfd.) 50-60 cycles	4916	1.05
㊳	First Detector Transformer	03083	.33	④㊺	Electrolytic Condenser (10 mfd.) 25-40 cycles	5142	1.20
㊴	Compensating Condenser — Detector — Part of Gang Condenser Assembly			④㊻	Line Cord and Plug	L-943	per ft. .023
㊵	Compensating Condenser — First I. F. Primary	04000-J	.12	④㊼	Tube Shield	03987	.21
㊶	First I. F. Transformer	03091	.45	④㊽	Bezel (Broadcast)	5008	.12
㊷	Compensating Condenser — First I. F. Secondary	04000-H	.11	④㊾	Bezel (Short Wave)	5178	.12
㊸	Second I. F. Transformer	03092	.48	④㊿	Knob (Large)	03068	.05
㊹	Compensating Condenser — Second I. F.	04000-K	.12	④①	Knob (Small)	03064	.04
㊺	Resistor (250 ohms Combined with .09 mfd. Condenser)	4989-E	.21	④②	Knob (On-Off Switch)—Broadcast	03437	.02
				④③	Knob (Control Switch)—Short Wave	5511	.03
				④④	Spring (For Small Knobs)	4147	.01
				④⑤	Spring (For Large Knobs)	5262	per C .21
				④⑥	Grid Clip	4897	per C .18
				④⑦	Five Prong Socket Assembly	4456	.06
				④⑧	Four Prong Socket Assembly	4955	.05
				④⑨	Dial Complete (Broadcast)	03031	.36
				④⑩	Dial Complete (Short Wave)	03890	.30

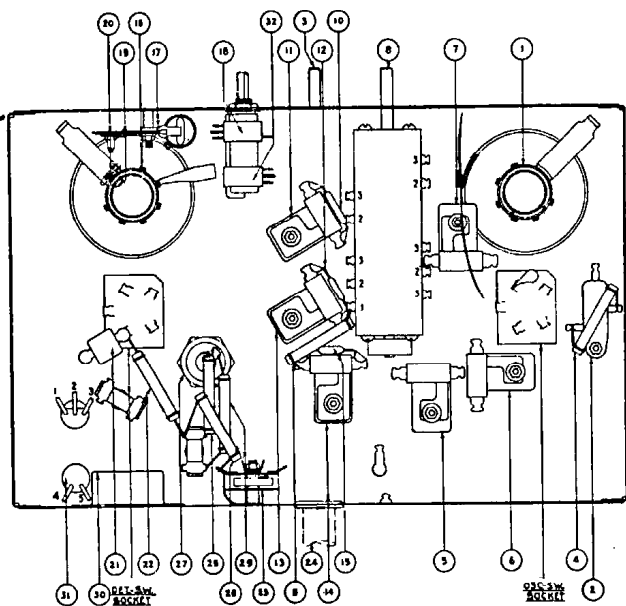
*Includes midget oscillator coil and detector transformer.

**These parts replaced on later production by .0018 mfd. condenser, part 6018.

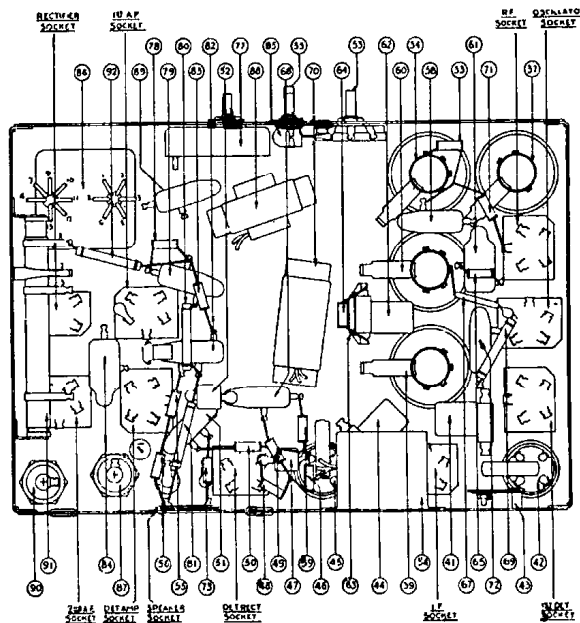
MODEL 490



MODEL 490



Short Wave Chassis.



Broadcast Chassis.

REPLACEMENT PARTS MODEL 490

No. on Figs. 1 and 2	Description	Part No.	NET PRICE
1	Oscillator Coil*	03734	.99
2	By-pass Condenser (.05 mfd.)	3615-M	.11
3	Gang Condenser Assembly	03692	1.95
4	Resistor (13,000 ohms)	3766	.12
5	Compensating Condenser (19 MC end of Top Scale)	04000-E	.06
6	Compensating Condenser (8.5 MC End of Center Scale)	04000-E	.06
7	Compensating Condenser (3.6 MC End of Bottom Scale)	04000-E	.06
8	Frequency Control Switch	03751	1.80
9	Resistor (240,000 ohms)	3768	.12
10	Condenser (1,250 mfd.)**	5386	.15
11	Compensating Condenser (8.5 MC End of Top Scale)	04000-F	.10
12	Condenser (800 mfd.)	5878	.12
13	Compensating Condenser (3.6 MC End of Center Scale)	04000-F	.10
14	Condenser (250 mfd.)	3082	.12
15	Compensating Condenser (1.5 MC End of Bottom Scale)	04000-F	.10
16	Detector Transformer*	03734	.99
17	Frequency Filter	03662	.33
18	Antenna Switch Assembled with	5796	.75
19	Resistor (2 megohms) Assembled with	03879	.30
20	Condenser (110 mfd.) Assembled with	03879	.30
21	Condenser (250 mfd.)	3082	.12
22	Resistor (99,000 ohms)	3767	.12
23	R. F. Choke	03893	.18
24	Shielded Cable	L-1278	.60
25	Resistor (32,000 ohms)	3525	.12
26	Resistor (32,000 ohms)	3525	.12
27	Electrolytic Condenser (6 mfd.)	4916	1.05
28	Pilot Light (Short Wave Unit)	3463	.09
29	Resistor (5,000 ohms)	3526	.12
30	Plug	03913	.45
31	Filament Transformer (50-60 cycles)	5906	1.06
	(25-40 cycles)	5923	1.35
	(50-60 cycles, 230 volts)	5924	1.20
32	On-off Switch (Assembled with 30)	5796	.75
33	Resistor (10,000 ohms)	4412	.12
34	First R. F. Transformer	03360	.33
35	Gang Condenser Assembly (50-60 cycles)	03001	3.75
36	Gang Condenser Assembly (25-40 cycles)	03078	3.90
37	Compensating Condenser—First R. F.—Part of Gang Condenser Assembly	03014	.24
38	Second R. F. Transformer	03015	.30
39	Compensating Condenser—Second R. F.—Part of Gang Condenser Assembly	03015	.30
40	First Detector Transformer	03015	.30
41	Compensating Condenser—First Detector—Part of Gang Condenser Assembly	03015	.30
42	Compensating Condenser—First I. F. Primary	04000-J	.12
43	First I. F. Transformer	03009	.51
44	Compensating Condenser—First I. F. Secondary	04000-J	.12
45	Compensating Condenser—Second I. F. Primary	04000-L	.12
46	Second I. F. Transformer	03345	.45
47	Resistor (51,000 ohms)	4518	.12
48	Condenser (110 mfd.)	4519	.11
49	Resistor (51,000 ohms)	4518	.12
50	Resistor (490,000 ohms)	4517	.12
51	Resistor (99,000 ohms)	4411	.12
52	Condenser (.01 mfd.)	3903-R	.10
53	Condenser (250 mfd.)	3082	.12
54	Volume Control	5306	.66
55	By-pass Condenser (3—.25 mfd.)	03325	.39

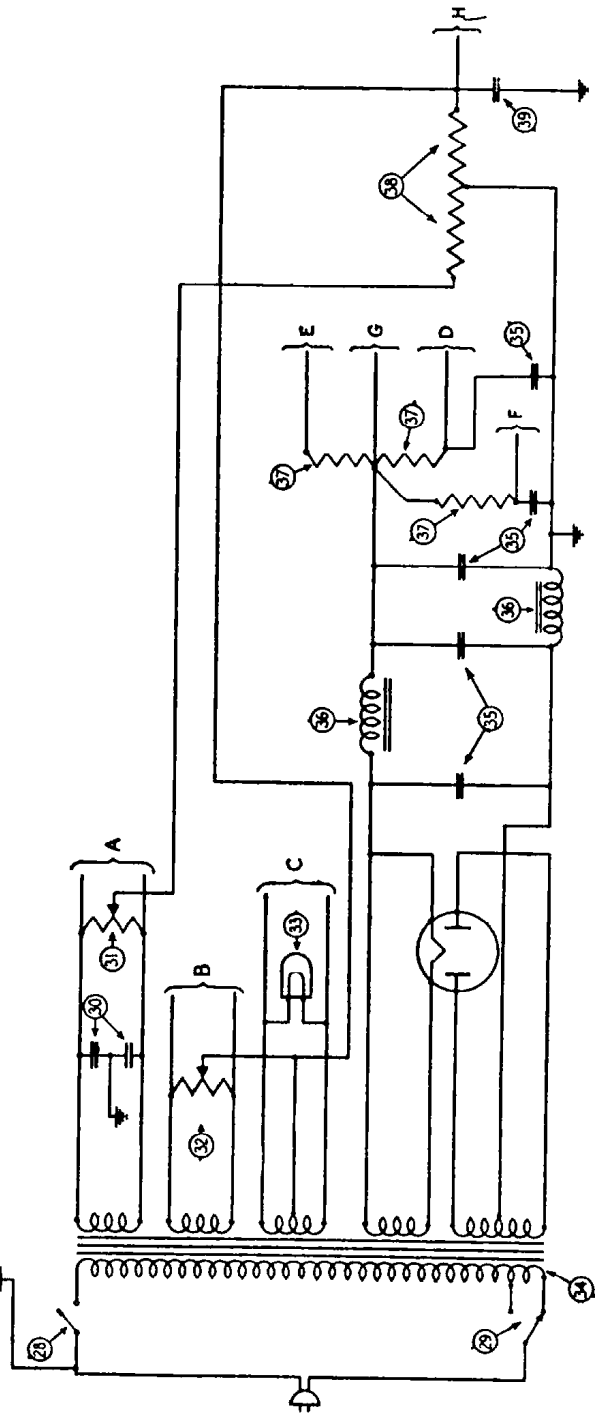
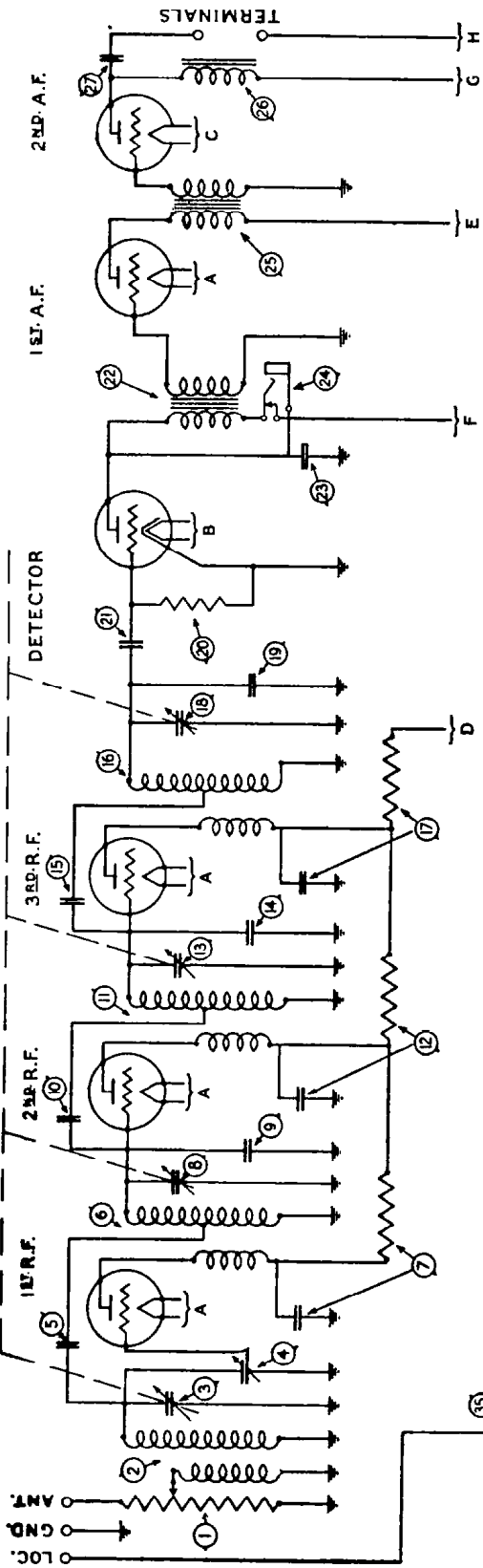
No. on Figs. 1 and 2	Description	Part No.	NET PRICE
56	Resistor (51,000 ohms)	4518	.12
57	Resistor (70,000 ohms)	5385	.12
58	Pilot Light (Broadcast Unit)	3463	.09
59	Condenser (.05 mfd.)	3615-W	.10
60	Resistor (490,000 ohms)	4517	.12
61	Oscillator Coil	03016	.30
62	Condenser (.09 mfd.)	4989-G	.15
63	Compensating Condenser—Low Frequency	04000-B	.11
64	Condenser (700 mfd.)	4520	.12
65	Resistor (51,000 ohms)	4518	.12
66	Resistor (5,000 ohms)	5310	.12
67	Compensating Condenser—High Frequency—Part of Gang Condenser Assembly		
68	Condenser (110 mfd.)	4519	.11
69	Condenser (.05 mfd.)	3615-U	.10
70	Resistor (51,000 ohms)	4237	.12
71	By-pass Condenser (1., .25, 1) 50-60 cycles	03327	.60
72	By-pass Condenser (1., .25, .25) 25-40 cycles	03624	.60
73	Resistor (70,000 ohms)	5385	.12
74	Condenser (.05 mfd.)	3615-E	.12
75	Resistor (25,000 ohms)	4516	.12
76	Voice Coil and Cone Assembly	02996	.45
77	Speaker Field (Assembly with Pos.)	02968	1.35
78	Output Transformer	2673	1.20
79	Tone Control	03137	.33
80	Resistor (240,000 ohms) 50-60 cycles	4410	.12
81	Resistor (99,000 ohms) 25-40 cycles	4411	.12
82	Condenser (.01 mfd.)	3903-P	.12
83	Resistor (25,000 ohms)	3656	.12
84	Resistor (25,000 ohms) 50-60 cycles	3656	.12
85	Resistor (50,000 ohms) 25-40 cycles	4237	.12
86	Condenser (.01 mfd.)	3903-M	.10
87	Resistor (240,000 ohms)	4410	.12
88	Condenser (.015 mfd. Double)	3783-E	.12
89	On-off Switch	4095	.30
90	Power Transformer (50-60 cycles)	5362	3.75
91	Power Transformer (25-40 cycles)	5363	6.00
92	Power Transformer (50-60 cycles, 230 volts)	5364	4.20
93	Electrolytic Condenser (6 mfd.) 50-60 cycles	4916	1.06
94	Electrolytic Condenser (10 mfd.) 25-40 cycles	5142	1.20
95	Choke	4519	.90
96	By-pass Condenser (.09 mfd.) 50-60 cycles	4989-J	.10
97	By-pass Condenser (.18 mfd.) 25-40 cycles	4989-K	.15
98	Electrolytic Condenser (6 mfd.) 50-60 cycles	4916	1.05
99	Electrolytic Condenser (14 mfd.) 25-40 cycles	5725	1.35
100	B. C. Resistor	03457	.30
101	Resistor (240,000 ohms) 50-60 cycles	3768	.12
102	Resistor (490,000 ohms) 25-40 cycles	3769	.12
103	Line Cord and Plug	L-948	per ft. .021
104	Tube Shield (Large)	03982	.03
105	Tube Shield (27 Type)	5387	.03
106	Bezel (Broadcast)	5009	.12
107	Bezel (Short Wave)	5175	.02
108	Knob (Large)	03003	.05
109	Knob (Small)	03004	.04
110	Knob (On-Off Switch—Broadcast)	03437	.02
111	Knob (Control Switch—Short Wave)	5811	.03
112	Spring (For Small Knobs)	4147	.01
113	Spring (For Large Knobs)	5262	per C .21
114	Grid Clip	4297	per C .18
115	Five Prong Socket Assembly	4956	.06
116	Four Prong Socket Assembly	4955	.05
117	Dial Complete (Broadcast)	03031	.36
118	Dial Complete (Short Wave)	03890	.30

DEALER
NET
PRICE

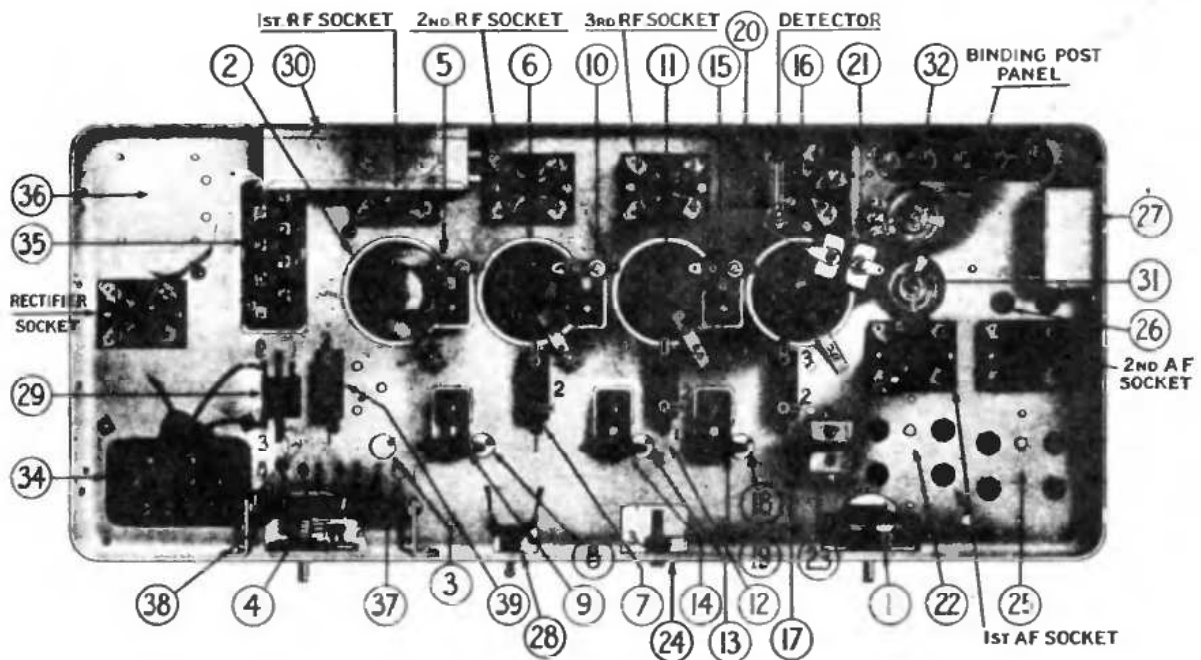
*Includes matched oscillator coil and detector transformer.

**These parts replaced in later production by .0018 mfd. condensers, part 1015.

Philco Model 511



Philco Model 511



Replacement Parts for Model 511

NUMBERS	NAME OF PART	FACTORY PART NUMBER (Order by this Number)	DEALER NET PRICE	DEALER NET PRICE
①	Volume Control	3076	.84	
②	R. F. Transformer (Antenna Tuning)	3075-B	.60	
③ - ⑩ - ⑪	R. F. Transformer	3075-A	.60	
④	Range Control	3133		
	Tuning Condenser (complete with drum and shield)	3001-B	8.10	
⑤ - ⑩ - ⑪	Neutralizing Condenser	3025-A	.18	
⑥ - ⑩ - ⑪	Compensating Condenser	3025-B	.18	
⑦ - ⑩ - ⑪	By-Pass Condenser .1 mfd. with Plate Resistance Winding	3114-A	.45	
⑫	By-Pass Condenser .001 mfd.	3081	.15	
⑬	Filament By-Pass Condenser (2 sections .5 mfd.)	3080	.90	
⑭	Grid Leak	3083	.16	
⑮	Grid Condenser	3082	.12	
⑯ - ⑰	A. F. Transformer	3077	1.95	
⑱	Phonograph Pick-Up Jack	3087	.24	
⑲	Output Filter Choke	3078	1.50	
⑳	Output Filter Condenser .5 mfd.	3079	.75	
㉑	Power Switch—Toggle	3117	.45	
㉒	Primary Tap Switch	3116	.30	
㉓	6-ohm Hum Adjustor	3096	.27	
㉔	20-ohm Hum Adjustor	3086	.30	
㉕	Pilot Lamp	3105	.18	
	Pilot Lamp Socket Assembly	3043-A	.21	
	Tube Socket Assembly—4-hole	3051-A	.18	
	Tube Socket Assembly—5-hole	3157-A	.21	
	Tube Socket Insulator 4-hole—red	3124	.03	
	Tube Socket Insulator 4-hole—brown	3070	.03	
	Tube Socket Insulator 5-hole—brown	3158	.03	
㉖	Power Transformer—50—60 cycle	3073	4.20	
㉗	Power Transformer—25—40 cycle	3106	5.40	
㉘	Filter Condenser Block—50—60 cycle	3108	7.20	
㉙	Filter Condenser Block—25—40 cycle	3109	10.20	
	Filter Choke Coils	Z-224	2.55	
㉚ - ㉛	B-C 5-section Resistor	3088 (A)	1.05	
㉜ - ㉝	B-C 4-Section Resistor	3088 (W)	1.05	
㉞	B Resistor 70,000 ohms	Z-129	.21	
㉟	By-Pass Condenser .1 mfd	3114	.36	
	Terminal Panel Assembly	3084-A	.48	
	Control Knob—Tuning Condenser	3035-A	.12	
	Control Knob—Volume and Range Control	3036-A	.09	
	A.C. Attachment Cord and Plug	L-943-A	.30	
	Wiring Cable	L-946	1.20	
	Speaker Tone Filter	2946-B	1.50	
	Fibre Adjusting Wrench	3168	.12	

Philco All-Purpose Set Tester

MODEL 048

**NEW! . . .
COMPACT! . . .
REVOLUTIONARY!**

**COMPLETE
Radio Testing Equipment
In One Small Portable Case**

Handles every Service Job and meets all Testing Requirements from the Crystal Set up to the latest Super with duo-diode-triode tubes. Will not become obsolete with future radio developments.

- 5 A. C. Voltage Ranges**
- 5 D. C. Voltage Ranges**
- 3 D. C. Milliammeter Ranges**
- 3 Ohmmeter Ranges**
- 5 A. C. Output Meter Ranges**
- Capacity Meter**
- Complete Tube Test**

Variable Frequency I. F. and R. F. Signal Generator from 105 K. C. to 2000 K. C.

All Test Prods, Leads, Batteries, Tube, etc. included—

**Service Men's Price
Complete \$40⁵⁰**

READ THESE SPECIFICATIONS!

Twenty-two meter ranges and signal generator at a price made possible by Philco laboratory design and construction. Rugged instrument—easy to read, quick change of scales, no danger of taking false readings. Accurate signal generator, calibrated in K.C. on the instrument panel (no graphs to consult). Finest type precision movement meter. All test leads designed to simplify your service job. Real universal clip for connections of screen grid tubes or antenna post, sturdy test prods designed for long service. New exclusive Philco output circuit adapters, will fit 4-, 5-, 6-, 7 and 8-prong sockets, connect output meter to any type output circuit without removing tubes from chassis. All leads plug into tester panel.

